

To our customers,

---

## Old Company Name in Catalogs and Other Documents

---

On April 1<sup>st</sup>, 2010, NEC Electronics Corporation merged with Renesas Technology Corporation, and Renesas Electronics Corporation took over all the business of both companies. Therefore, although the old company name remains in this document, it is a valid Renesas Electronics document. We appreciate your understanding.

Renesas Electronics website: <http://www.renesas.com>

April 1<sup>st</sup>, 2010  
Renesas Electronics Corporation

Issued by: Renesas Electronics Corporation (<http://www.renesas.com>)

Send any inquiries to <http://www.renesas.com/inquiry>.

## Notice

1. All information included in this document is current as of the date this document is issued. Such information, however, is subject to change without any prior notice. Before purchasing or using any Renesas Electronics products listed herein, please confirm the latest product information with a Renesas Electronics sales office. Also, please pay regular and careful attention to additional and different information to be disclosed by Renesas Electronics such as that disclosed through our website.
2. Renesas Electronics does not assume any liability for infringement of patents, copyrights, or other intellectual property rights of third parties by or arising from the use of Renesas Electronics products or technical information described in this document. No license, express, implied or otherwise, is granted hereby under any patents, copyrights or other intellectual property rights of Renesas Electronics or others.
3. You should not alter, modify, copy, or otherwise misappropriate any Renesas Electronics product, whether in whole or in part.
4. Descriptions of circuits, software and other related information in this document are provided only to illustrate the operation of semiconductor products and application examples. You are fully responsible for the incorporation of these circuits, software, and information in the design of your equipment. Renesas Electronics assumes no responsibility for any losses incurred by you or third parties arising from the use of these circuits, software, or information.
5. When exporting the products or technology described in this document, you should comply with the applicable export control laws and regulations and follow the procedures required by such laws and regulations. You should not use Renesas Electronics products or the technology described in this document for any purpose relating to military applications or use by the military, including but not limited to the development of weapons of mass destruction. Renesas Electronics products and technology may not be used for or incorporated into any products or systems whose manufacture, use, or sale is prohibited under any applicable domestic or foreign laws or regulations.
6. Renesas Electronics has used reasonable care in preparing the information included in this document, but Renesas Electronics does not warrant that such information is error free. Renesas Electronics assumes no liability whatsoever for any damages incurred by you resulting from errors in or omissions from the information included herein.
7. Renesas Electronics products are classified according to the following three quality grades: “Standard”, “High Quality”, and “Specific”. The recommended applications for each Renesas Electronics product depends on the product’s quality grade, as indicated below. You must check the quality grade of each Renesas Electronics product before using it in a particular application. You may not use any Renesas Electronics product for any application categorized as “Specific” without the prior written consent of Renesas Electronics. Further, you may not use any Renesas Electronics product for any application for which it is not intended without the prior written consent of Renesas Electronics. Renesas Electronics shall not be in any way liable for any damages or losses incurred by you or third parties arising from the use of any Renesas Electronics product for an application categorized as “Specific” or for which the product is not intended where you have failed to obtain the prior written consent of Renesas Electronics. The quality grade of each Renesas Electronics product is “Standard” unless otherwise expressly specified in a Renesas Electronics data sheets or data books, etc.
  - “Standard”: Computers; office equipment; communications equipment; test and measurement equipment; audio and visual equipment; home electronic appliances; machine tools; personal electronic equipment; and industrial robots.
  - “High Quality”: Transportation equipment (automobiles, trains, ships, etc.); traffic control systems; anti-disaster systems; anti-crime systems; safety equipment; and medical equipment not specifically designed for life support.
  - “Specific”: Aircraft; aerospace equipment; submersible repeaters; nuclear reactor control systems; medical equipment or systems for life support (e.g. artificial life support devices or systems), surgical implantations, or healthcare intervention (e.g. excision, etc.), and any other applications or purposes that pose a direct threat to human life.
8. You should use the Renesas Electronics products described in this document within the range specified by Renesas Electronics, especially with respect to the maximum rating, operating supply voltage range, movement power voltage range, heat radiation characteristics, installation and other product characteristics. Renesas Electronics shall have no liability for malfunctions or damages arising out of the use of Renesas Electronics products beyond such specified ranges.
9. Although Renesas Electronics endeavors to improve the quality and reliability of its products, semiconductor products have specific characteristics such as the occurrence of failure at a certain rate and malfunctions under certain use conditions. Further, Renesas Electronics products are not subject to radiation resistance design. Please be sure to implement safety measures to guard them against the possibility of physical injury, and injury or damage caused by fire in the event of the failure of a Renesas Electronics product, such as safety design for hardware and software including but not limited to redundancy, fire control and malfunction prevention, appropriate treatment for aging degradation or any other appropriate measures. Because the evaluation of microcomputer software alone is very difficult, please evaluate the safety of the final products or system manufactured by you.
10. Please contact a Renesas Electronics sales office for details as to environmental matters such as the environmental compatibility of each Renesas Electronics product. Please use Renesas Electronics products in compliance with all applicable laws and regulations that regulate the inclusion or use of controlled substances, including without limitation, the EU RoHS Directive. Renesas Electronics assumes no liability for damages or losses occurring as a result of your noncompliance with applicable laws and regulations.
11. This document may not be reproduced or duplicated, in any form, in whole or in part, without prior written consent of Renesas Electronics.
12. Please contact a Renesas Electronics sales office if you have any questions regarding the information contained in this document or Renesas Electronics products, or if you have any other inquiries.

(Note 1) “Renesas Electronics” as used in this document means Renesas Electronics Corporation and also includes its majority-owned subsidiaries.

(Note 2) “Renesas Electronics product(s)” means any product developed or manufactured by or for Renesas Electronics.

---

## R8C/38C Group

### Timer RG PWM Mode (Buffer Operation)

---

#### 1. Abstract

This document describes the setting method and an application example of PWM waveform output and duty change using R8C/38C Group timer RG PWM mode (buffer operation).

#### 2. Introduction

The application example described in this document applies to the following MCU:

- MCU : R8C/38C Group

The sample program in this application note can be used with other R8C/38C Group MCUs which have the same special function registers (SFRs) as the above group. Check the manual for any modifications to functions. Careful evaluation is recommended before using this application note.

### 3. Application Example

#### 3.1 Program Outline

A PWM waveform of 100 μs period/variable duty is output from the TRGIOA pin in timer RG PWM mode. High width duty of PWM output is output from 10% to 100% every 10% in 10 ms intervals using timer RB. Buffer operation of the general register is used to change duty cycles. The PWM output duty changes 10% → 20% → ... → 90% → 100% → 90% → ... → 10% → 20% → 30% → ... repeatedly.

**Main settings**

- The high-speed on-chip oscillator (fOCO40M) is used for the count source.
- The timer RG counter (TRG) is cleared at the compare match with the general register (TRGGRA).
- The general register (TRGGRD) is used as the buffer register of the TRGGRB register.
- High-level output is set for a PWM waveform at the compare match of registers TRG and TRGGRA. Low-level output is set for a PWM waveform at the compare match of registers TRG and TRGGRB (PWM mode).

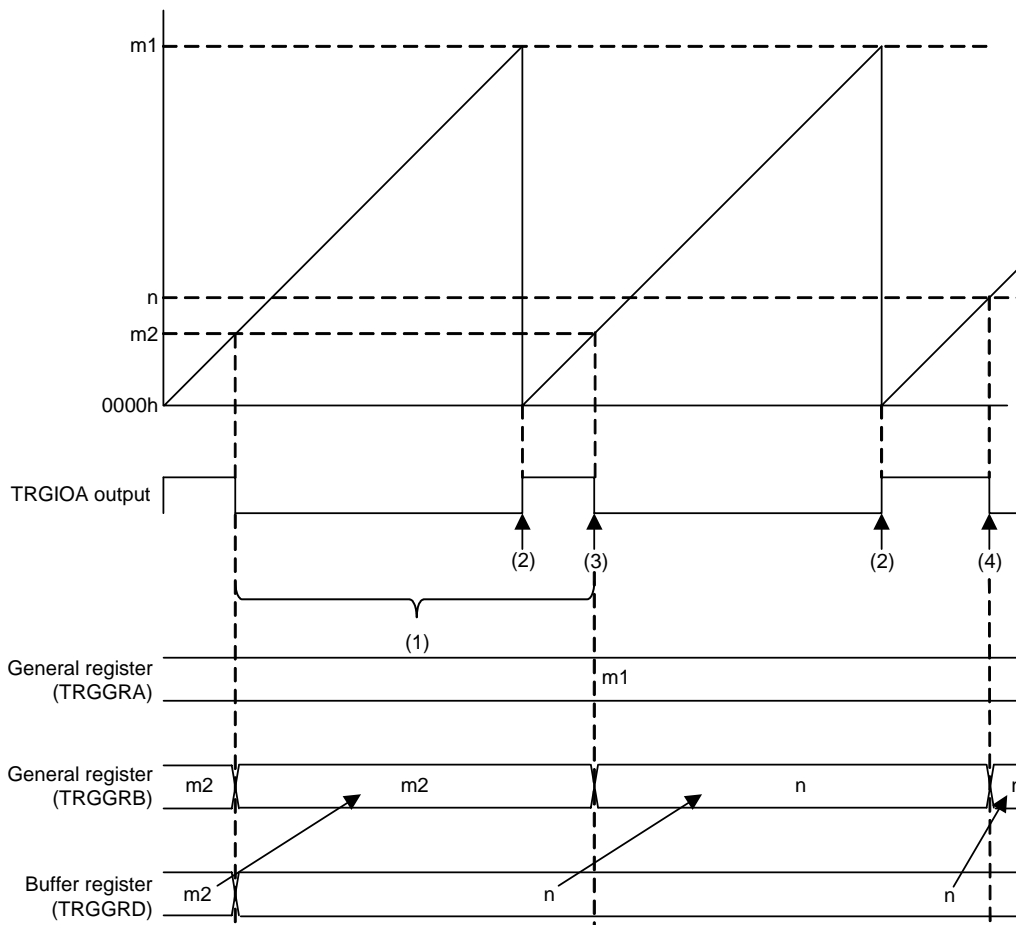
**Formula for PWM period**

$$\begin{aligned}
 100 \mu\text{s} &= 1 \div \text{fOCO40M} \times (\text{TRGGRA} + 1) \\
 &= 1 \div 40 \text{ MHz} \times (39999 + 1) \\
 &= 25 \text{ ns} \times 4000
 \end{aligned}$$

Table 3.1 lists the pin used and its function. Figure 3.1 shows the buffer operating example in PWM mode and Figures 3.2 to 3.6 show output timing charts when changing duty cycles.

**Table 3.1 Pin and Function**

Pin Name	I/O	Function
P5_6/TRGIOA	Output	PWM output



Hardware Handling	Software Handling
(1) -	(a) Set TRGGRD (n).
(2) (a) Values of TRG and TRGGRA (m1) match. (b) Clear TRG to 0000h. (c) High-level output from the TRGIOA pin	-
(3) (a) Values of TRG and TRGGRB (m2) match. (b) Transfer the value of TRGGRD (n) which is used as the buffer register to TRGGRB. (c) Low-level output from the TRGIOA pin	-
(4) (a) Value of TRG and TRGGRD (n) match. (b) Transfer the value of TRGGRD (n) which is used as the buffer register to TRGGRB. (c) Low-level output from the TRGIOA pin	-

m1: TRGGRA value (4000-1)

m2: TRGGRB value for duty XX%

n: TRGGRD value for duty YY% and TRGGRB value after duty cycle changes

TRG: Timer RG counter

TRGGRA: Timer RG general register A

TRGGRB: Timer RG general register B

TRGGRD: Timer RG general register D

Figure 3.1 Buffer Operating Example in PWM Mode

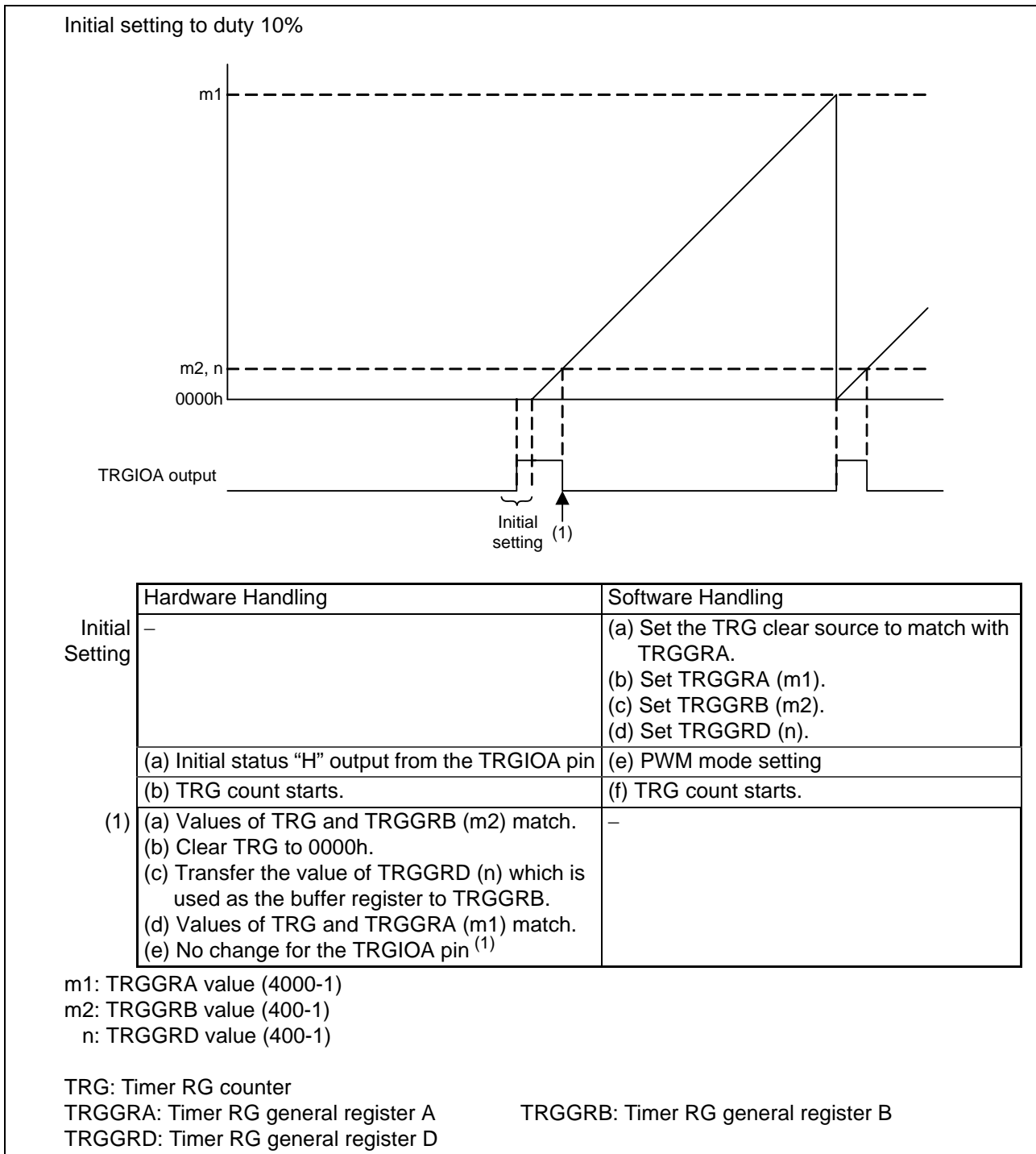


Figure 3.2 Output Timing Chart When Changing Duty Cycles (1)

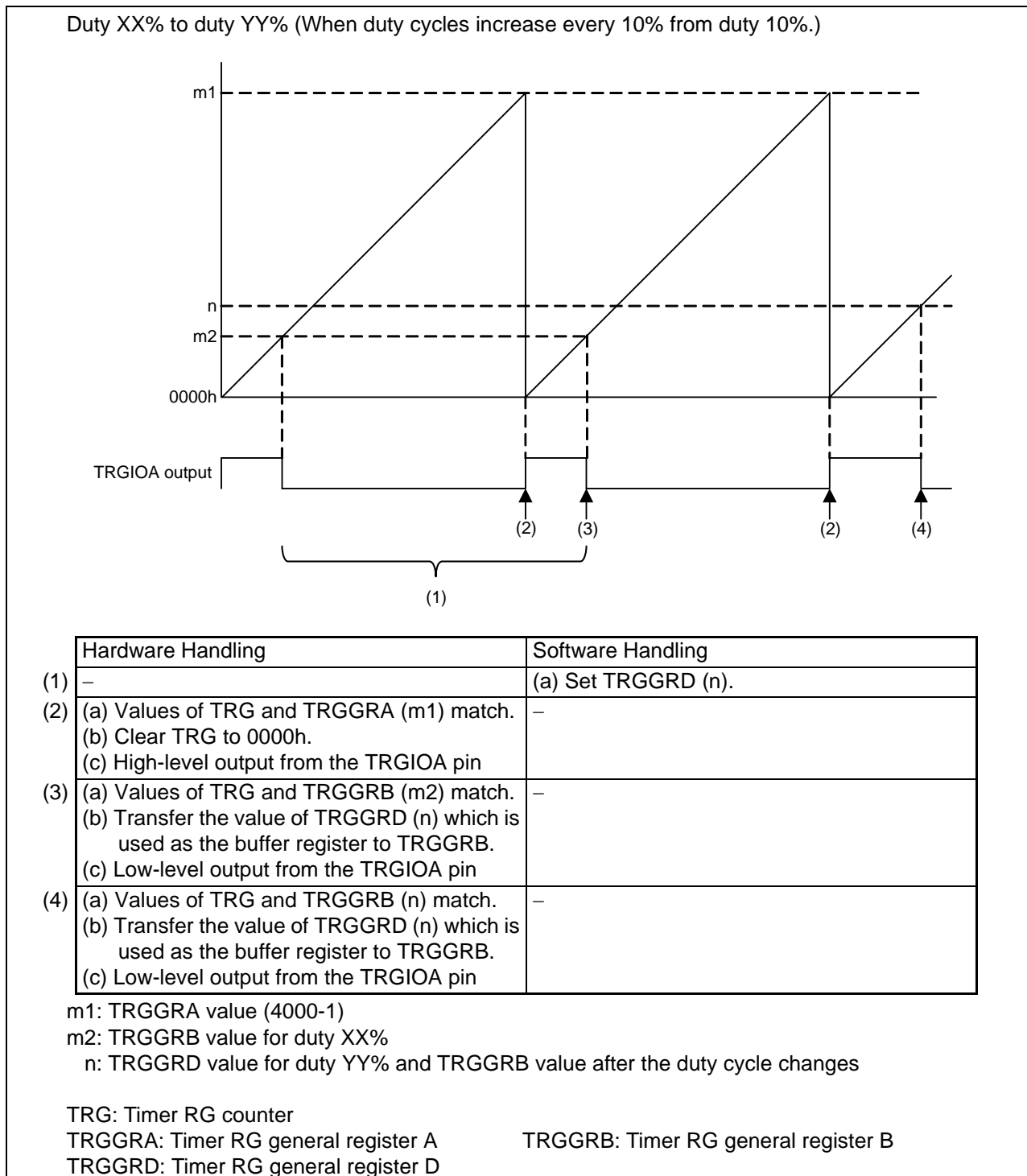


Figure 3.3 Output Timing Chart When Changing Duty Cycles (2)

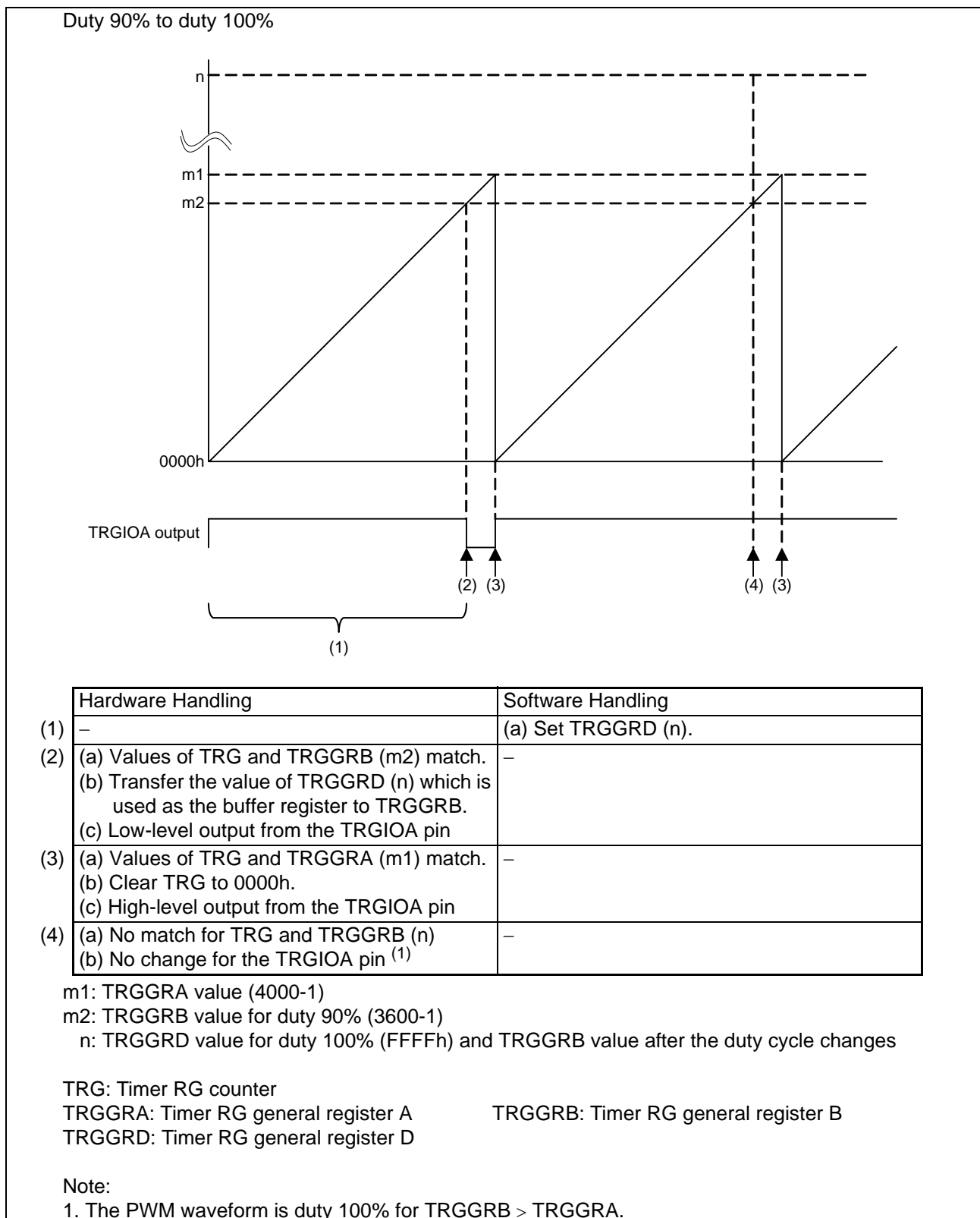


Figure 3.4 Output Timing Chart When Changing Duty Cycles (3)



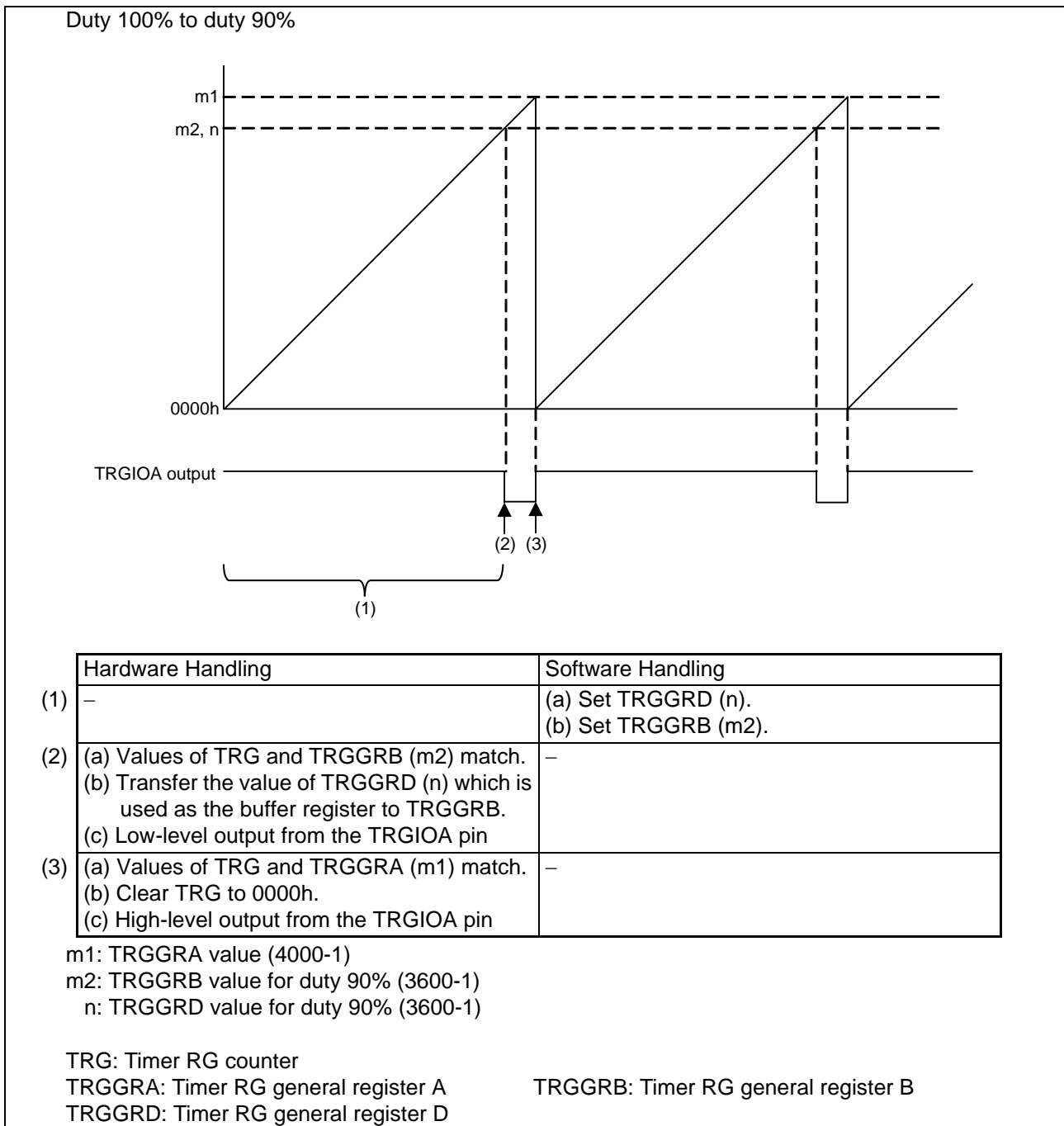


Figure 3.5 Output Timing Chart When Changing Duty Cycles (4)

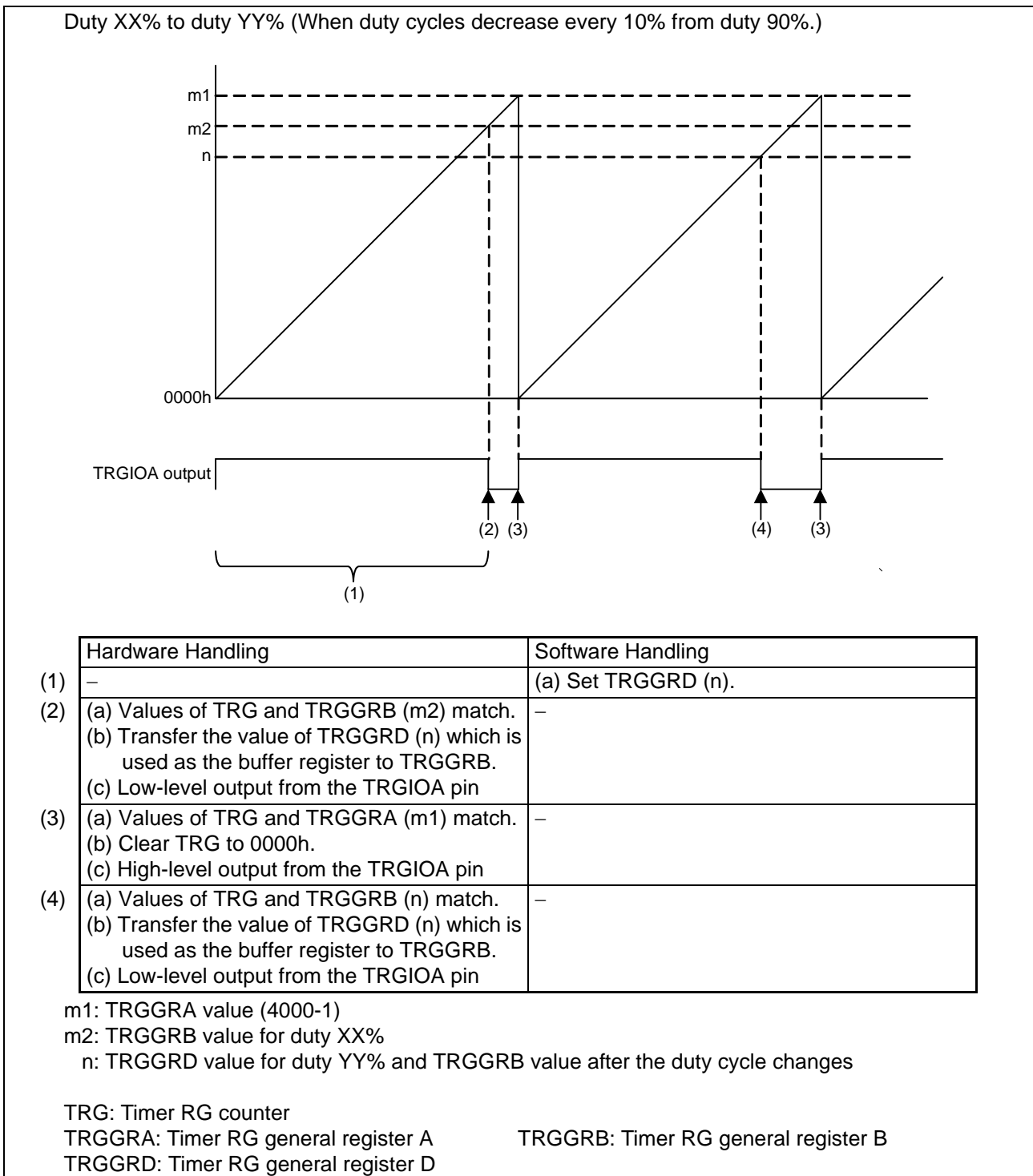


Figure 3.6 Output Timing Chart When Changing Duty Cycles (5)

### 3.2 Memory

**Table 3.2 Memory**

Memory	Size	Remarks
ROM	319 bytes	In the rej05b1163_src.c module
RAM	1 byte	In the rej05b1163_src.c module
Maximum user stack	9 bytes	
Maximum interrupt stack	0 bytes	

Memory size varies depending on the C compiler version and compile options.

The above applies to the following conditions:

- C compiler: M16C/60, 30, 20, 10, and Tiny, and R8C/Tiny Series Compiler V.5.45 Release 00
- Compile option: -c -finfo -dir "\$(CONFIGDIR)" -R8C

## 4. Software Outline

This section shows the initial setting procedures and values to set the example described in section 3. **Application Example.** Refer to the latest **R8C/38C Group Hardware Manual** for details on individual registers.

The × in the register's Setting Value represents bits not used in this application, blank spaces represent bits that do not change, and the dash represents reserved bits or bits that have nothing assigned.

### 4.1 Function Tables

Declaration	void mcu_init(void)		
Outline	System clock setting		
Argument	Argument name		Meaning
	None		—
Variable (global)	Variable name		Contents
	None		—
Returned value	Type	Value	Meaning
	None	—	—
Function	The system clock (high-speed on-chip oscillator) is set.		

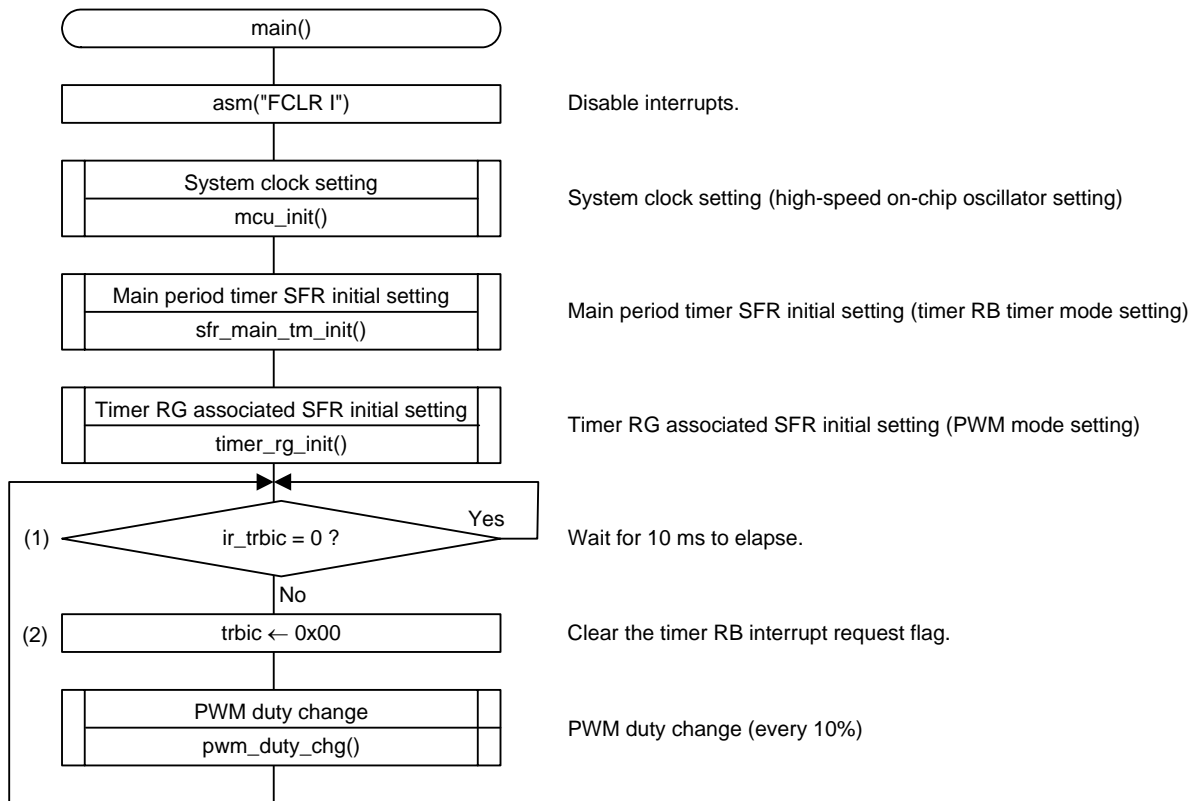
Declaration	void sfr_main_tm_init(void)		
Outline	Main period timer SFR initial setting		
Argument	Argument name		Meaning
	None		—
Variable (global)	Variable name		Contents
	None		—
Returned value	Type	Value	Meaning
	None	—	—
Function	The SFR register is initialized to use timer RB in timer mode.		

Declaration	void timer_rg_init(void)		
Outline	Timer RG associated SFR initial setting		
Argument	Argument name		Meaning
	None		—
Variable (global)	Variable name		Contents
	None		—
Returned value	Type	Value	Meaning
	None	—	—
Function	The SFR register is initialized to use timer RG in PWM mode (buffer operation).		

Declaration	void pwm_duty_chg(void)		
Outline	PWM duty change		
Argument	Argument name		Meaning
	None		—
Variable (global)	Variable name		Contents
	unsigned char duty_mode		RAM for duty mode control
Returned value	Type	Value	Meaning
	None	—	—
Function	Change the PWM duty cycle from 10% to 100% and from 100% to 10%.		

4.2 Main Function

• Flowchart



• Register Settings

(1) Wait until the timer RB interrupt request is generated.

Interrupt Control Register (TRBIC)

Bit	Symbol	Bit Name	Function	R/W
b3	IR	Interrupt request bit	0: No interrupt requested 1: Interrupt requested	R/W

(2) Clear the timer RB interrupt request flag.

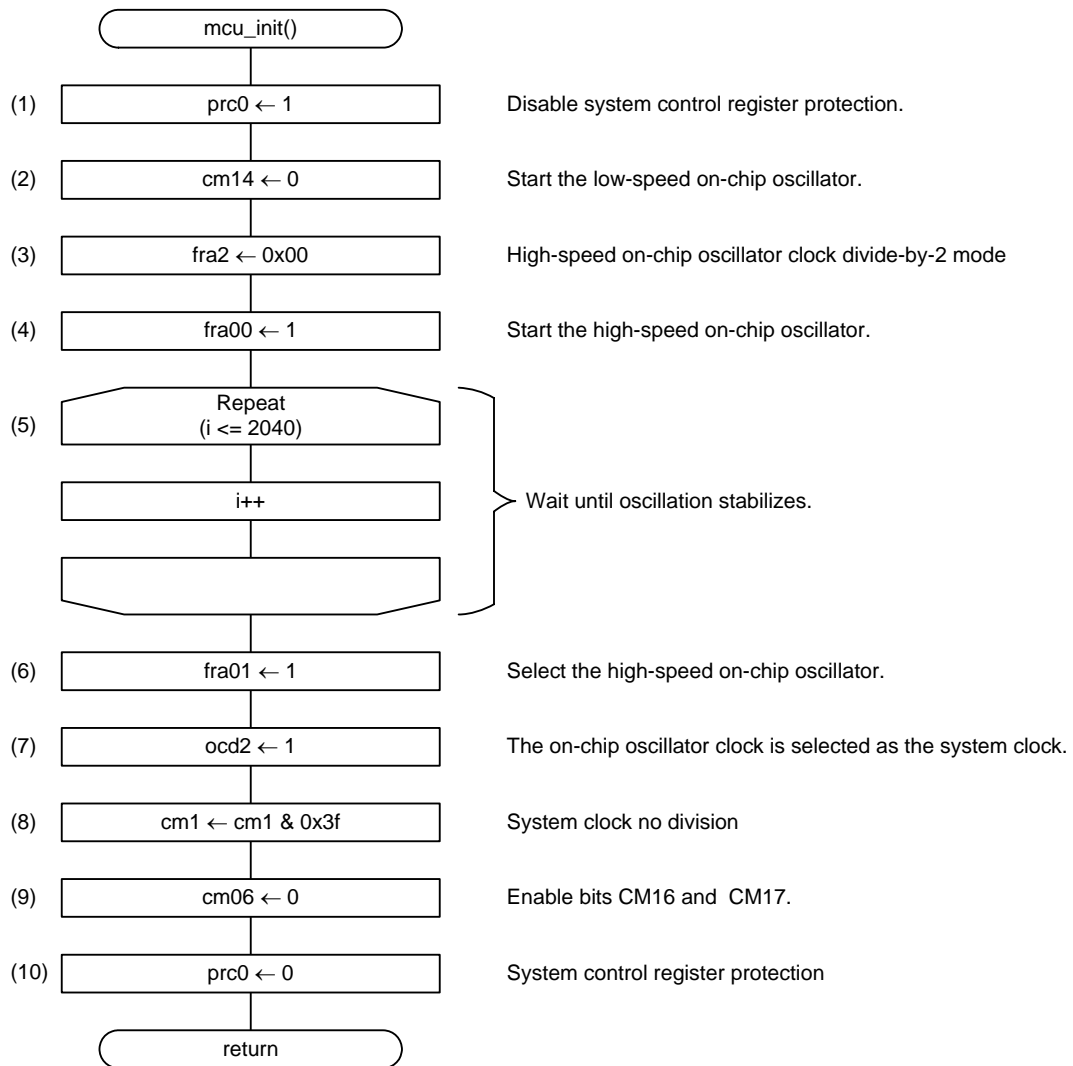
Interrupt Control Register (TRBIC)

Bit	b7	b6	b5	b4	b3	b2	b1	b0
Setting value	—	—	—	—	0	0	0	0

Bit	Symbol	Bit Name	Function	R/W
b0	ILVL0	Interrupt priority level select bit	b2 b1 b0 0 0 0: Level 0 (interrupt disabled)	R/W
b1	ILVL1			R/W
b2	ILVL2			R/W
b3	IR	Interrupt request bit	0: No interrupt requested	R/W

### 4.3 System Clock Setting

• Flowchart



• Register Settings

(1) Enable writing to registers CM0, CM1, CM3, OCD, FRA0, FRA1, FRA2, and FRA3.

Protect Register (PRCR)

Bit	b7	b6	b5	b4	b3	b2	b1	b0
Setting Value	—	—	—	—	x	x	x	1

Bit	Symbol	Bit Name	Function	R/W
b0	PRC0	Protect bit 0	Enables writing to registers CM0, CM1, CM3, OCD, FRA0, FRA1, FRA2, and FRA3. 1: Write enabled	R/W

(2) Start the low-speed on-chip oscillator.

System Clock Control Register 1 (CM1)

Bit	b7	b6	b5	b4	b3	b2	b1	b0
Setting Value			—	0	x	x	x	x

Bit	Symbol	Bit Name	Function	R/W
b4	CM14	Low-speed on-chip oscillator stop bit	0: Low-speed on-chip oscillator on	R/W

(3) Set the divide ratio of the high-speed on-chip oscillator.

High-Speed On-Chip Oscillator Control Register 2 (FRA2)

Bit	b7	b6	b5	b4	b3	b2	b1	b0
Setting Value	—	—	—	—	—	0	0	0

Bit	Symbol	Bit Name	Function	R/W
b0	FRA20	High-speed on-chip oscillator frequency switching bit	Division selection These bits select the division clock for the high-speed on-chip oscillator clock. b2 b1 b0 0 0 0: Divide-by-2 mode	R/W
b1	FRA21			R/W
b2	FRA22			R/W

(4) Start the high-speed on-chip oscillator.

High-Speed On-Chip Oscillator Control Register 0 (FRA0)

Bit	b7	b6	b5	b4	b3	b2	b1	b0
Setting Value	—	—	—	—	x	—		1

Bit	Symbol	Bit Name	Function	R/W
b0	FRA00	High-speed on-chip oscillator enable bit	1: High-speed on-chip oscillator on	R/W

(5) Wait until oscillation stabilizes.

(6) Select the high-speed on-chip oscillator.

High-Speed On-Chip Oscillator Control Register 0 (FRA0)

Bit	b7	b6	b5	b4	b3	b2	b1	b0
Setting Value	—	—	—	—	x	—	1	

Bit	Symbol	Bit Name	Function	R/W
b1	FRA01	High-speed on-chip oscillator select bit	1: High-speed on-chip oscillator selected	R/W

(7) Select the on-chip oscillator clock as the system clock.

Oscillation Stop Detection Register (OCD)

Bit	b7	b6	b5	b4	b3	b2	b1	b0
Setting Value	—	—	—	—	x	1	x	x

Bit	Symbol	Bit Name	Function	R/W
b2	OCD2	System clock select bit	1: On-chip oscillator clock selected	R/W

(8) Set system clock division select bit 1.

System Clock Control Register 1 (CM1)

Bit	b7	b6	b5	b4	b3	b2	b1	b0
Setting Value	0	0	—		x	x	x	x

Bit	Symbol	Bit Name	Function	R/W
b6	CM16	CPU clock division select bit 1	b7 b6 0 0: No division mode	R/W
b7	CM17			R/W

(9) Set system clock division select bit 0.

System Clock Control Register 0 (CM0)

Bit	b7	b6	b5	b4	b3	b2	b1	b0
Setting Value	x	0	x	x	x	x	—	—

Bit	Symbol	Bit Name	Function	R/W
b6	CM06	CPU clock division select bit 0	0: Bits CM16 and CM17 in CM1 register enabled	R/W

(10) Disable writing to registers CM0, CM1, CM3, OCD, FRA0, FRA1, FRA2, and FRA3.

Protect Register (PRCR)

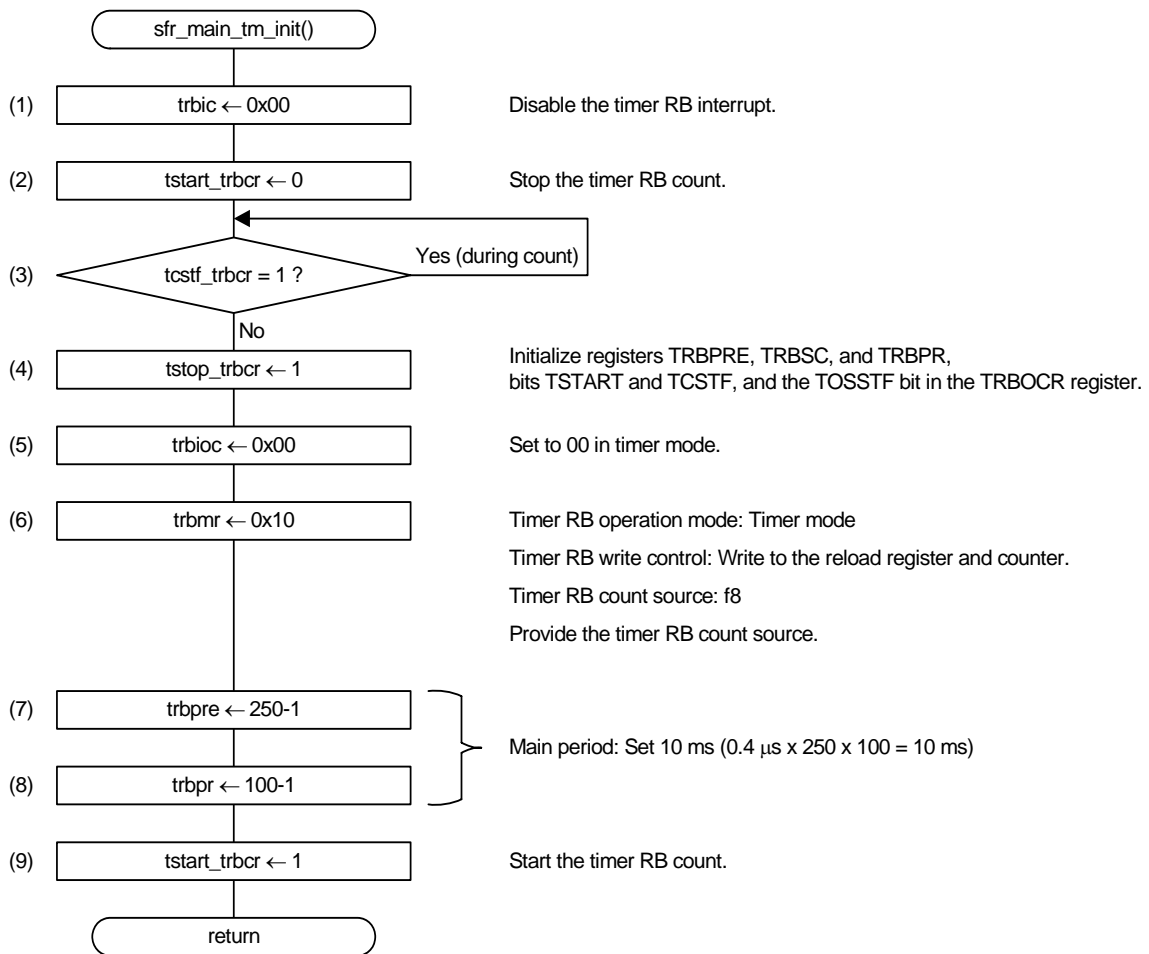
Bit	b7	b6	b5	b4	b3	b2	b1	b0
Setting Value	—	—	—	—	x	x	x	0

Bit	Symbol	Bit Name	Function	R/W
b0	PRC0	Protect bit 0	Enables writing to registers CM0, CM1, CM3, OCD, FRA0, FRA1, FRA2, and FRA3. 0: Write disabled	R/W



4.4 Main Period Timer SFR Initial Setting

• Flowchart



• Register Settings

(1) Disable the timer RB interrupt.

Interrupt Control Register (TRBIC)

Bit	b7	b6	b5	b4	b3	b2	b1	b0
Setting Value	—	—	—	—	0	0	0	0

Bit	Symbol	Bit Name	Function	R/W
b0	ILVL0	Interrupt priority level select bit	b2 b1 b0 0 0 0: Level 0 (interrupt disabled)	R/W
b1	ILVL1			R/W
b2	ILVL2			R/W
b3	IR	Interrupt request bit	0: No interrupt requested	R/W

(2) Stop the timer RB count.

Timer RB Control Register (TRBCR)

Bit	b7	b6	b5	b4	b3	b2	b1	b0
Setting Value	—	—	—	—	—			0

Bit	Symbol	Bit Name	Function	R/W
b0	TSTART	Timer RB count start bit	0: Count stops	R/W

(3) Wait until the timer RB count stops.

Timer RB Control Register (TRBCR)

Bit	Symbol	Bit Name	Function	R/W
b1	TCSTF	Timer RB count status flag	0: Count stops 1: During count	R

(4) Initialize registers TRBPRE, TRBSC, and TRBPR, bits TSTART and TCSTF, and the TOSSTF bit in the TRBOCR register.

Timer RB Control Register (TRBCR)

Bit	b7	b6	b5	b4	b3	b2	b1	b0
Setting Value	—	—	—	—	—	1		

Bit	Symbol	Bit Name	Function	R/W
b2	TSTOP	Timer RB count forcible stop bit	When this bit is set to 1, the count is forcibly stopped. When read, the content is 0.	R/W

(5) Set the timer RB I/O control register.

Timer RB I/O Control Register (TRBIOC)

Bit	b7	b6	b5	b4	b3	b2	b1	b0
Setting Value	—	—	—	—	0	0	0	0

Bit	Symbol	Bit Name	Function	R/W
b0	TOPL	Timer RB output level select bit	Set to 0 in timer mode.	R/W
b1	TOCNT	Timer RB output switch bit		R/W
b2	INOSTG	One-shot trigger control bit		R/W
b3	INOSEG	One-shot trigger polarity select bit		R/W

(6) Set the timer RB mode register.

Timer RB Mode Register (TRBMR)

Bit	b7	b6	b5	b4	b3	b2	b1	b0
Setting Value	0	—	0	1	0	—	0	0

Bit	Symbol	Bit Name	Function	R/W
b0	TMOD0	Timer RB operating mode select bit	b1 b0 0 0: Timer mode	R/W
b1	TMOD1			R/W
b3	TWRC	Timer RB write control bit	0: Write to reload register and counter	R/W
b4	TCK0	Timer RB count source select bit	b5 b4 0 1: f8	R/W
b5	TCK1			R/W
b7	TCKCUT	Timer RB count source cutoff bit	0: Provides count source	R/W

(7) Set 250-1 (F9h) to the timer RB prescaler register.

Timer RB Prescaler Register (TRBPRES)

Bit	b7	b6	b5	b4	b3	b2	b1	b0
Setting Value	1	1	1	1	1	0	0	1

Bit	Mode	Function	Setting Range	R/W
b7 to b0	Timer mode	Counts an internal count source	00h to FFh	R/W

(8) Set 100-1 (63h) to the timer RB primary register.

Timer RB Primary Register (TRBPR)

Bit	b7	b6	b5	b4	b3	b2	b1	b0
Setting Value	0	1	1	0	0	0	1	1

Bit	Mode	Function	Setting Range	R/W
b7 to b0	Timer mode	Counts timer RB prescaler underflows	00h to FFh	R/W

(9) Start the timer RB count.

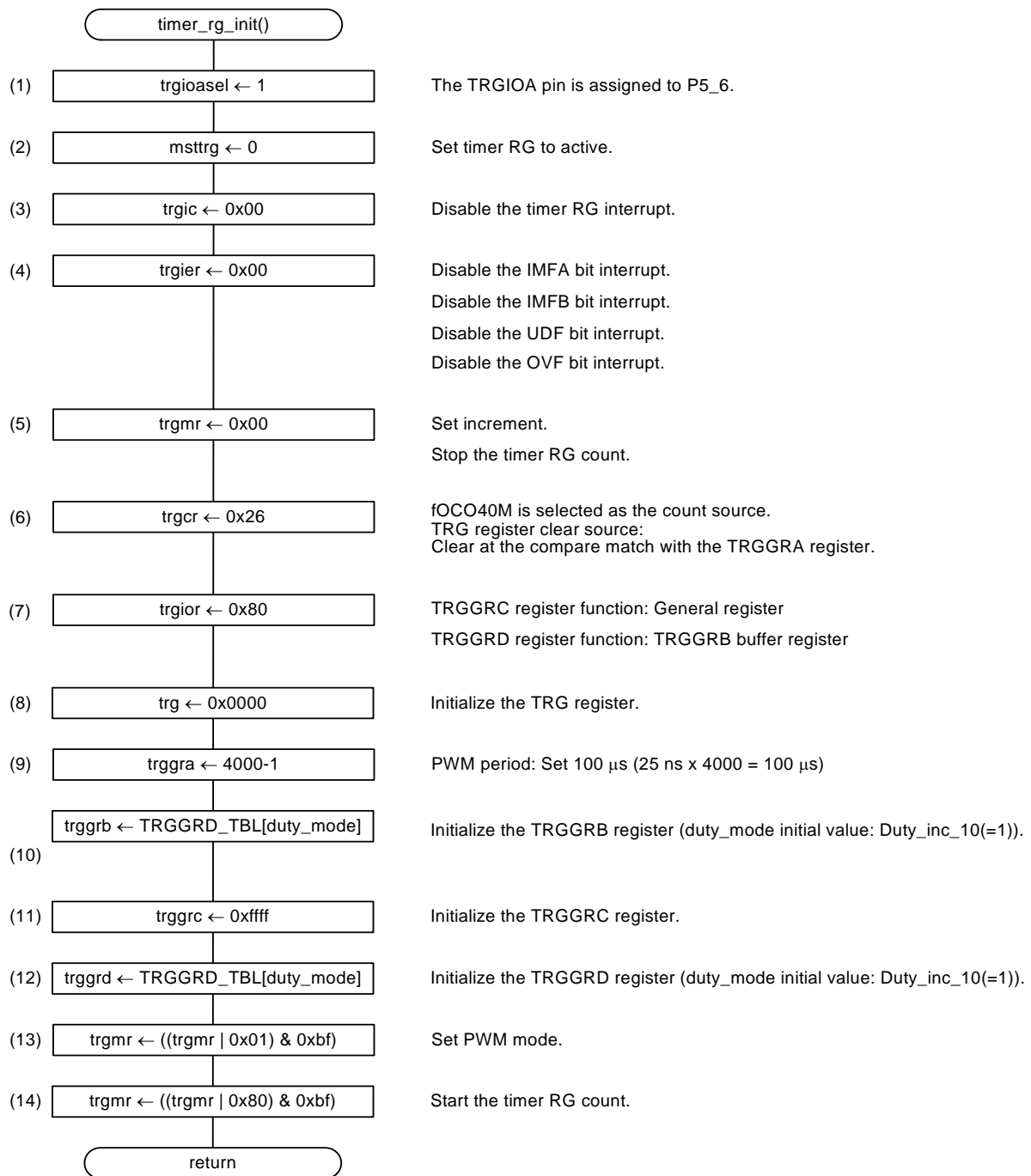
Timer RB Control Register (TRBCR)

Bit	b7	b6	b5	b4	b3	b2	b1	b0
Setting Value	—	—	—	—	—			1

Bit	Symbol	Bit Name	Function	R/W
b0	TSTART	Timer RB count start bit	1: Count starts	R/W

### 4.5 Timer RG Associated SFR Initial Setting

• Flowchart



• Register Settings

(1) The TRGIOA pin is assigned to P5\_6.

Timer Pin Select Register (TIMSR)

Bit	b7	b6	b5	b4	b3	b2	b1	b0
Setting Value	x	x	x	1	—	x	—	x

Bit	Symbol	Bit Name	Function	R/W
b4	TRGIOASEL	TRGIOA pin select bit	1: P5_6 pin assigned	R/W

(2) Set timer RG to active.

Module Standby Control Register (MSTCR)

Bit	b7	b6	b5	b4	b3	b2	b1	b0
Setting Value	—	0	x	x	x	—	—	—

Bit	Symbol	Bit Name	Function	R/W
b6	MSTTRG	Timer RG standby bit	0: Active	R/W

(3) Disable the timer RG interrupt.

Interrupt Control Register (TRGIC)

Bit	b7	b6	b5	b4	b3	b2	b1	b0
Setting Value	—	—	—	—		0	0	0

Bit	Symbol	Bit Name	Function	R/W
b0	ILVL0	Interrupt priority level select bit	b2 b1 b0 0 0 0: Level 0 (interrupt disabled)	R/W
b1	ILVL1			R/W
b2	ILVL2			R/W
b3	IR	Interrupt request bit	0: No interrupt requested 1: Interrupt requested	R

(4) Set the timer RG interrupt enable register.

Timer RG Interrupt Enable Register (TRGIER)

Bit	b7	b6	b5	b4	b3	b2	b1	b0
Setting Value	—	—	—	—	0	0	0	0

Bit	Symbol	Bit Name	Function	R/W
b0	IMIEA	Input-capture/compare-match interrupt enable bit A	0: Interrupt by IMFA flag disabled	R/W
b1	IMIEB	Input-capture/compare-match interrupt enable bit B	0: Interrupt by IMFB flag disabled	R/W
b2	UDIE	Underflow interrupt enable bit	0: Interrupt by UDF flag disabled	R/W
b3	OVIE	Overflow interrupt enable bit	0: Interrupt by OVF flag disabled	R/W

(5) Set the timer RG mode register.

Timer RG Mode Register (TRGMR)

Bit	b7	b6	b5	b4	b3	b2	b1	b0
Setting Value	0	—	x	x	x	x	0	

Bit	Symbol	Bit Name	Function	R/W
b1	MDF	Phase counting mode select bit	0: Increment	R/W
b7	TSTART	TRG count start bit	0: Count stops	R/W

(6) Set the timer RG control register.

Timer RG Control Register (TRGCR)

Bit	b7	b6	b5	b4	b3	b2	b1	b0
Setting Value	—	0	1	x	x	1	1	0

Bit	Symbol	Bit Name	Function	R/W
b0	TCK0	Count source select bit	b2 b1 b0 1 1 0: fOCO40M	R/W
b1	TCK1			R/W
b2	TCK2			R/W
b5	CCLR0	TRG register clear source select bit	b6 b5 0 1: TRG register cleared by input capture or compare match with TRGGRA register	R/W
b6	CCLR1			R/W

(7) Set the timer RG I/O control register.

Timer RG I/O Control Register (TRGIOR)

Bit	b7	b6	b5	b4	b3	b2	b1	b0
Setting Value	1	x	x	x	0	x	x	x

Bit	Symbol	Bit Name	Function	R/W
b3	BUFA	TRGGRC register function select bit	0: Not used as the buffer register of the TRGGRA register	R/W
b7	BUFB	TRGGRD register function select bit	1: Used as the buffer register of the TRGGRB register	R/W

(8) Initialize the timer RG counter to 0000h.

Timer RG Counter (TRG)

Bit	b7	b6	b5	b4	b3	b2	b1	b0
Setting Value	0	0	0	0	0	0	0	0

Bit	b15	b14	b13	b12	b11	b10	b9	b8
Setting Value	0	0	0	0	0	0	0	0

Bit	Function	Setting Range	R/W
b15 to b0	In PWM mode, count operation is increment.	0000h to FFFFh	R/W

(9) Set the compare value 4000-1 (0F9Fh) with the timer RG counter to the timer RG general register A.

Timer RG General Register A (TRGGRA)

Bit	b7	b6	b5	b4	b3	b2	b1	b0
Setting Value	1	0	0	1	1	1	1	1
Bit	b15	b14	b13	b12	b11	b10	b9	b8
Setting Value	0	0	0	0	1	1	1	1

Bit	Function	R/W
b15 to b0	Compare value with TRG register	R/W

(10) Initialize the timer RG general register B to 400-1 (018Fh).

Timer RG General Register B (TRGGRB)

Bit	b7	b6	b5	b4	b3	b2	b1	b0
Setting Value	1	0	0	0	1	1	1	1
Bit	b15	b14	b13	b12	b11	b10	b9	b8
Setting Value	0	0	0	0	0	0	0	1

Bit	Function	R/W
b15 to b0	Compare value with TRG register	R/W

(11) Initialize the timer RG general register C to 0FFFFh.

Timer RG General Register C (TRGGRC)

Bit	b7	b6	b5	b4	b3	b2	b1	b0
Setting Value	1	1	1	1	1	1	1	1
Bit	b15	b14	b13	b12	b11	b10	b9	b8
Setting Value	1	1	1	1	1	1	1	1

Bit	Function	R/W
b15 to b0	Compare value with TRG register	R/W



(12) Initialize the timer RG general register D to 400-1 (018Fh).

Timer RG General Register D (TRGGRD)

Bit	b7	b6	b5	b4	b3	b2	b1	b0
Setting Value	1	0	0	0	1	1	1	1
Bit	b15	b14	b13	b12	b11	b10	b9	b8
Setting Value	0	0	0	0	0	0	0	1

Bit	Function	R/W
b15 to b0	Compare value with TRG register	R/W

(13) Set PWM mode.

Timer RG Mode Register (TRGMR)

Bit	b7	b6	b5	b4	b3	b2	b1	b0
Setting Value		—	x	x	x	x		1

Bit	Symbol	Bit Name	Function	R/W
b0	PWM	PWM mode select bit	1: PWM mode	R/W

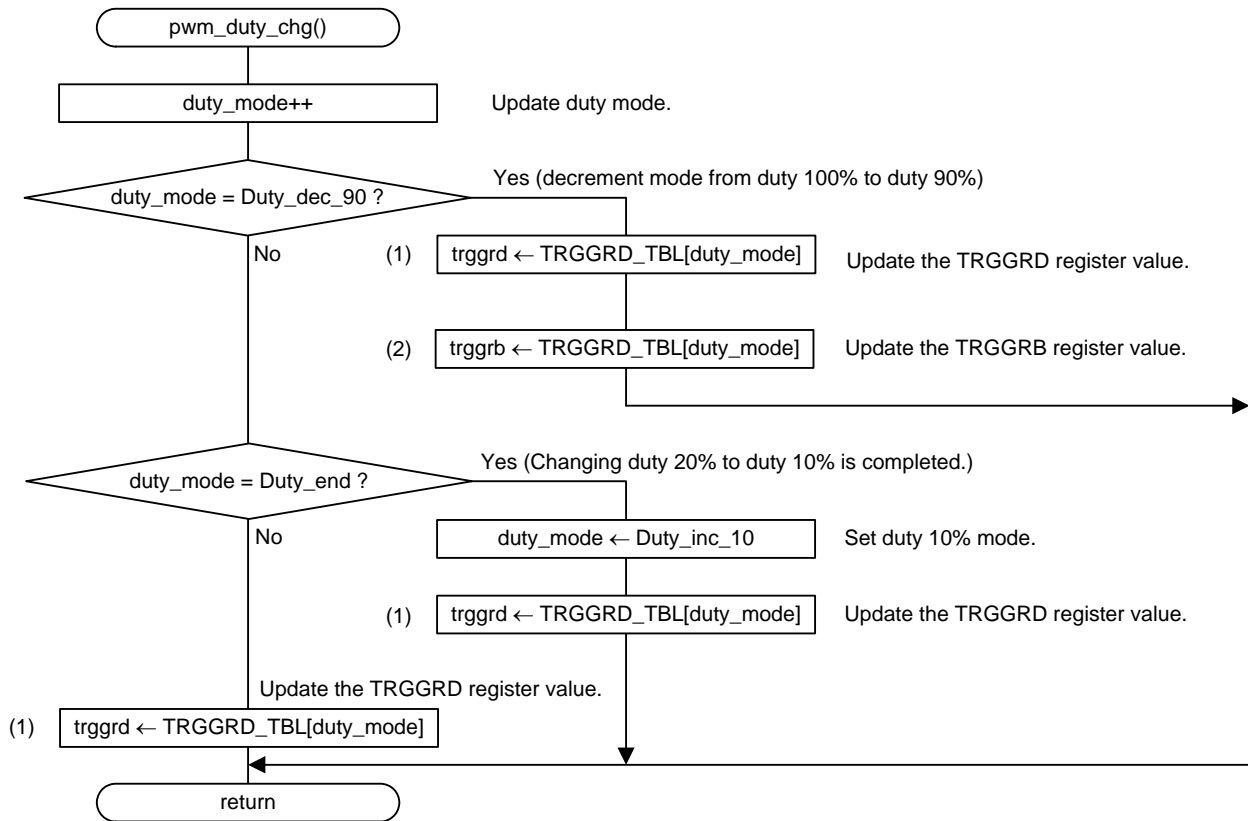
(14) Start the count for the timer RG counter.

Timer RG Mode Register (TRGMR)

Bit	b7	b6	b5	b4	b3	b2	b1	b0
Setting Value	1	—	x	x	x	x		

Bit	Symbol	Bit Name	Function	R/W
b7	TSTART	TRG count start bit	1: Count starts	R/W

4.6 PWM Duty Change



• Register Settings

(1) Update the timer RG general register D value.

Timer RG General Register D (TRGGRD)

Bit	b7	b6	b5	b4	b3	b2	b1	b0
Setting Value	0/1	0/1	0/1	0/1	0/1	0/1	0/1	0/1
Bit	b15	b14	b13	b12	b11	b10	b9	b8
Setting Value	0/1	0/1	0/1	0/1	0/1	0/1	0/1	0/1

Bit	Function	R/W
b15 to b0	Compare value with TRG register	R/W

(2) Update the timer RG general register B value. Since the compare match of registers TRG and TRGGRB does not occur and buffer transfer from the TRGGRD register is not performed when the TRGGRB register setting is duty 100%, setting the TRGGRB register by a program is necessary.

Timer RG General Register B (TRGGRB)

Bit	b7	b6	b5	b4	b3	b2	b1	b0
Setting Value	0/1	0/1	0/1	0/1	0/1	0/1	0/1	0/1
Bit	b15	b14	b13	b12	b11	b10	b9	b8
Setting Value	0/1	0/1	0/1	0/1	0/1	0/1	0/1	0/1

Bit	Function	R/W
b15 to b0	Compare value with TRG register	R/W

## 5. Sample Program

A sample program can be downloaded from the Renesas Technology website.  
To download, click “Application Notes” in the left-hand side menu of the R8C/Tiny Family page.

## 6. Reference Documents

Hardware Manual  
R8C/38C Group Hardware Manual Rev.0.10  
The latest version can be downloaded from the Renesas Technology website.

Technical Update/Technical News  
The latest information can be downloaded from the Renesas Technology website.

### Website and Support

Renesas Technology website  
<http://www.renesas.com/>

Inquiries  
<http://www.renesas.com/inquiry>  
[csc@renesas.com](mailto:csc@renesas.com)

REVISION HISTORY	R8C/38C Group Timer RG PWM Mode (Buffer Operation)
------------------	---

Rev.	Date	Description	
		Page	Summary
1.00	Dec 29, 2009	-	First Edition issued

All trademarks and registered trademarks are the property of their respective owners.

Notes regarding these materials

1. This document is provided for reference purposes only so that Renesas customers may select the appropriate Renesas products for their use. Renesas neither makes warranties or representations with respect to the accuracy or completeness of the information contained in this document nor grants any license to any intellectual property rights or any other rights of Renesas or any third party with respect to the information in this document.
2. Renesas shall have no liability for damages or infringement of any intellectual property or other rights arising out of the use of any information in this document, including, but not limited to, product data, diagrams, charts, programs, algorithms, and application circuit examples.
3. You should not use the products or the technology described in this document for the purpose of military applications such as the development of weapons of mass destruction or for the purpose of any other military use. When exporting the products or technology described herein, you should follow the applicable export control laws and regulations, and procedures required by such laws and regulations.
4. All information included in this document such as product data, diagrams, charts, programs, algorithms, and application circuit examples, is current as of the date this document is issued. Such information, however, is subject to change without any prior notice. Before purchasing or using any Renesas products listed in this document, please confirm the latest product information with a Renesas sales office. Also, please pay regular and careful attention to additional and different information to be disclosed by Renesas such as that disclosed through our website. (<http://www.renesas.com>)
5. Renesas has used reasonable care in compiling the information included in this document, but Renesas assumes no liability whatsoever for any damages incurred as a result of errors or omissions in the information included in this document.
6. When using or otherwise relying on the information in this document, you should evaluate the information in light of the total system before deciding about the applicability of such information to the intended application. Renesas makes no representations, warranties or guaranties regarding the suitability of its products for any particular application and specifically disclaims any liability arising out of the application and use of the information in this document or Renesas products.
7. With the exception of products specified by Renesas as suitable for automobile applications, Renesas products are not designed, manufactured or tested for applications or otherwise in systems the failure or malfunction of which may cause a direct threat to human life or create a risk of human injury or which require especially high quality and reliability such as safety systems, or equipment or systems for transportation and traffic, healthcare, combustion control, aerospace and aeronautics, nuclear power, or undersea communication transmission. If you are considering the use of our products for such purposes, please contact a Renesas sales office beforehand. Renesas shall have no liability for damages arising out of the uses set forth above.
8. Notwithstanding the preceding paragraph, you should not use Renesas products for the purposes listed below:
  - (1) artificial life support devices or systems
  - (2) surgical implantations
  - (3) healthcare intervention (e.g., excision, administration of medication, etc.)
  - (4) any other purposes that pose a direct threat to human life

Renesas shall have no liability for damages arising out of the uses set forth in the above and purchasers who elect to use Renesas products in any of the foregoing applications shall indemnify and hold harmless Renesas Technology Corp., its affiliated companies and their officers, directors, and employees against any and all damages arising out of such applications.
9. You should use the products described herein within the range specified by Renesas, especially with respect to the maximum rating, operating supply voltage range, movement power voltage range, heat radiation characteristics, installation and other product characteristics. Renesas shall have no liability for malfunctions or damages arising out of the use of Renesas products beyond such specified ranges.
10. Although Renesas endeavors to improve the quality and reliability of its products, IC products have specific characteristics such as the occurrence of failure at a certain rate and malfunctions under certain use conditions. Please be sure to implement safety measures to guard against the possibility of physical injury, and injury or damage caused by fire in the event of the failure of a Renesas product, such as safety design for hardware and software including but not limited to redundancy, fire control and malfunction prevention, appropriate treatment for aging degradation or any other applicable measures. Among others, since the evaluation of microcomputer software alone is very difficult, please evaluate the safety of the final products or system manufactured by you.
11. In case Renesas products listed in this document are detached from the products to which the Renesas products are attached or affixed, the risk of accident such as swallowing by infants and small children is very high. You should implement safety measures so that Renesas products may not be easily detached from your products. Renesas shall have no liability for damages arising out of such detachment.
12. This document may not be reproduced or duplicated, in any form, in whole or in part, without prior written approval from Renesas.
13. Please contact a Renesas sales office if you have any questions regarding the information contained in this document, Renesas semiconductor products, or if you have any other inquiries.