
R32C/100 Series

Serial Interface Operation in Special Mode 2
Using Master Transmission/Reception

R01AN0493EJ0100
Rev. 1.00
July 22, 2011

Abstract

This document describes a method of transmitting/receiving data from one master to multiple slaves using serial interface special mode 2 in the R32C/100 Series.

Products

MCUs: R32C/116 Group
R32C/117 Group
R32C/118 Group

When using this application note with other Renesas MCUs, careful evaluation is recommended after making modifications to comply with the alternate MCU.

Contents

| | | |
|-------|---|----|
| 1. | Specifications | 3 |
| 2. | Operation Confirmation Conditions | 4 |
| 3. | Reference Application Note | 4 |
| 4. | Hardware | 5 |
| 4.1 | Pins Used | 5 |
| 5. | Software | 6 |
| 5.1 | Operation Overview | 6 |
| 5.2 | Constants | 8 |
| 5.3 | Variable | 8 |
| 5.4 | Functions | 8 |
| 5.5 | Function Specifications | 9 |
| 5.6 | Flowcharts | 10 |
| 5.6.1 | Main Processing | 10 |
| 5.6.2 | UART0 Initial Setting | 12 |
| 5.6.3 | UART0 Receive Interrupt Handling | 13 |
| 6. | Sample Code | 14 |
| 7. | Reference Documents | 14 |

1. Specifications

Transmit/receive data from one master to multiple slaves using serial interface special mode 2.

Table 1.1 lists the Peripheral Function and Its Application. Figure 1.1 shows Communication Control in Serial Interface Special Mode 2.

Table 1.1 Peripheral Function and Its Application

| Peripheral Function | Application |
|--------------------------|--|
| Serial interface (UART0) | Master transmission/reception using special mode 2 |

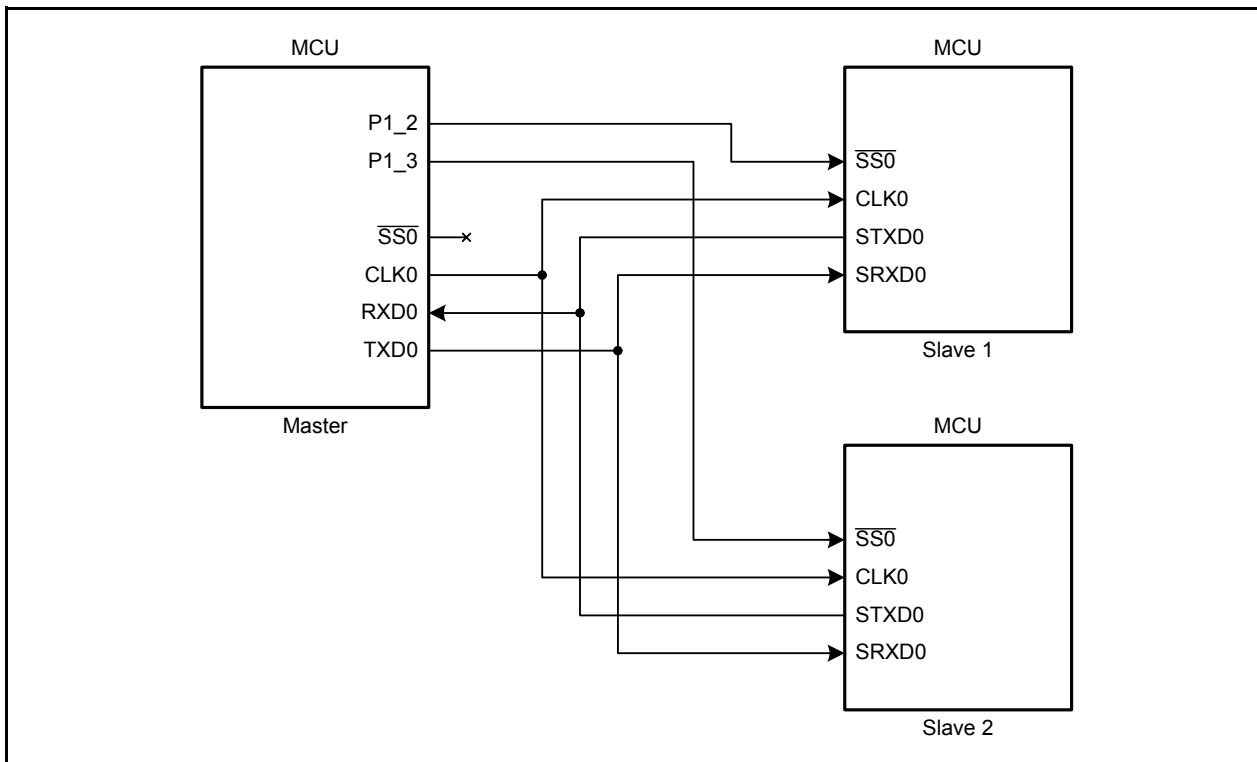


Figure 1.1 Communication Control in Serial Interface Special Mode 2

2. Operation Confirmation Conditions

The sample code accompanying this application note has been run and confirmed under the conditions below.

Table 2.1 Operation Confirmation Conditions

| Item | Contents |
|------------------------------------|--|
| MCU used | R5F64189DFD (R32C/118 Group) |
| Operating frequencies | <ul style="list-style-type: none"> • Main clock: 16 MHz • PLL clock: 100 MHz • Base clock: 50 MHz • CPU clock: 50 MHz • Peripheral bus clock: 25 MHz • Peripheral function clock source: 25 MHz |
| Operating voltage | 5 V |
| Integrated development environment | Renesas Electronics Corporation High-performance Embedded Workshop Version 4.07 |
| C compiler | Renesas Electronics Corporation R32C/100 Series Compiler V.1.02 Release 01 Compile options -D __STACKSIZE__=0X300 -D __ISTACKSIZE__=0X300 -DVECTOR_ADR=0x0FFFFFFBDC -c -finfo -dir "\$(CONFIGDIR)" (Default setting is used in the integrated development environment.) |
| Operating mode | Single-chip mode |
| Sample code version | Version 1.00 |
| Board used | Renesas Starter Kit for R32C/118 (product name: R0K564189S000BE) |

3. Reference Application Note

The application note associated with this application note is listed below. Refer to this application note for additional information.

- R32C/100 Series
Configuring PLL Mode (REJ05B1221-0100)

4. Hardware

4.1 Pins Used

Table 4.1 lists the Pins Used and Their Functions.

Table 4.1 Pins Used and Their Functions

| Pin Name | I/O | Function |
|------------------------|--------|---|
| P0_0 to P0_7 | Output | These pins output data received from a slave. |
| P1_2 | Output | The SS function is used for slave 1. |
| P1_3 | Output | The SS function is used for slave 2. |
| P6_0/ $\overline{SS0}$ | Input | This pin functions as the $\overline{SS0}$ pin. |
| P6_1/CLK0 | Output | This pin functions as the transmit/receive clock. |
| P6_2/RXD0 | Input | This pin receives data. |
| P6_3/TXD0 | Output | This pin transmits data. |

5. Software

The sample program uses UART0 and ports P1_2 and P1_3 to alternately transmit/receive data to/from slave 1 and slave 2. The settings are listed below.

Settings

- Use UART0 in special mode 2.
- Use an internal clock for the transfer clock.
- Use f1 for the U0BRG count source.
- For the CLK polarity, select output transmit data on the falling edge of the transmit/receive clock and input receive data on the rising edge.
- Use LSB first as the transfer format.
- Select no clock delay for the clock phase setting.
- Enable the SS function.
- Do not use the UART0 transmit interrupt.
- Use the UART0 receive interrupt.
- Set the transfer rate to approximately 1 Mbps.

5.1 Operation Overview

Operation of the sample program is as follows:

- (1) Initial setting
Initialize UART0 and the ports.
- (2) Enable transmission/reception
Set the RE bit in the U0C1 register to 1 (reception enabled) and set the TE bit to 1 (transmission enabled).
- (3) Select slave 1
Set port P1_2 to 0 and select slave 1.
- (4) Start transmitting to slave 1
Write transmit data to the U0TB register.
- (5) Reception completed
A UART0 receive interrupt is generated when reception is completed. Read the U0RB register value in the UART0 receive interrupt handling.
- (6) Select slave 2
Set port P1_3 to 0 and select slave 2.
- (7) Start transmitting to slave 2
Write transmit data to the U0TB register.
- (8) Reception completed
A UART0 receive interrupt is generated when reception is completed. Read the U0RB register value in the UART0 receive interrupt handling.

Figure 5.1 shows the Timing Diagram.

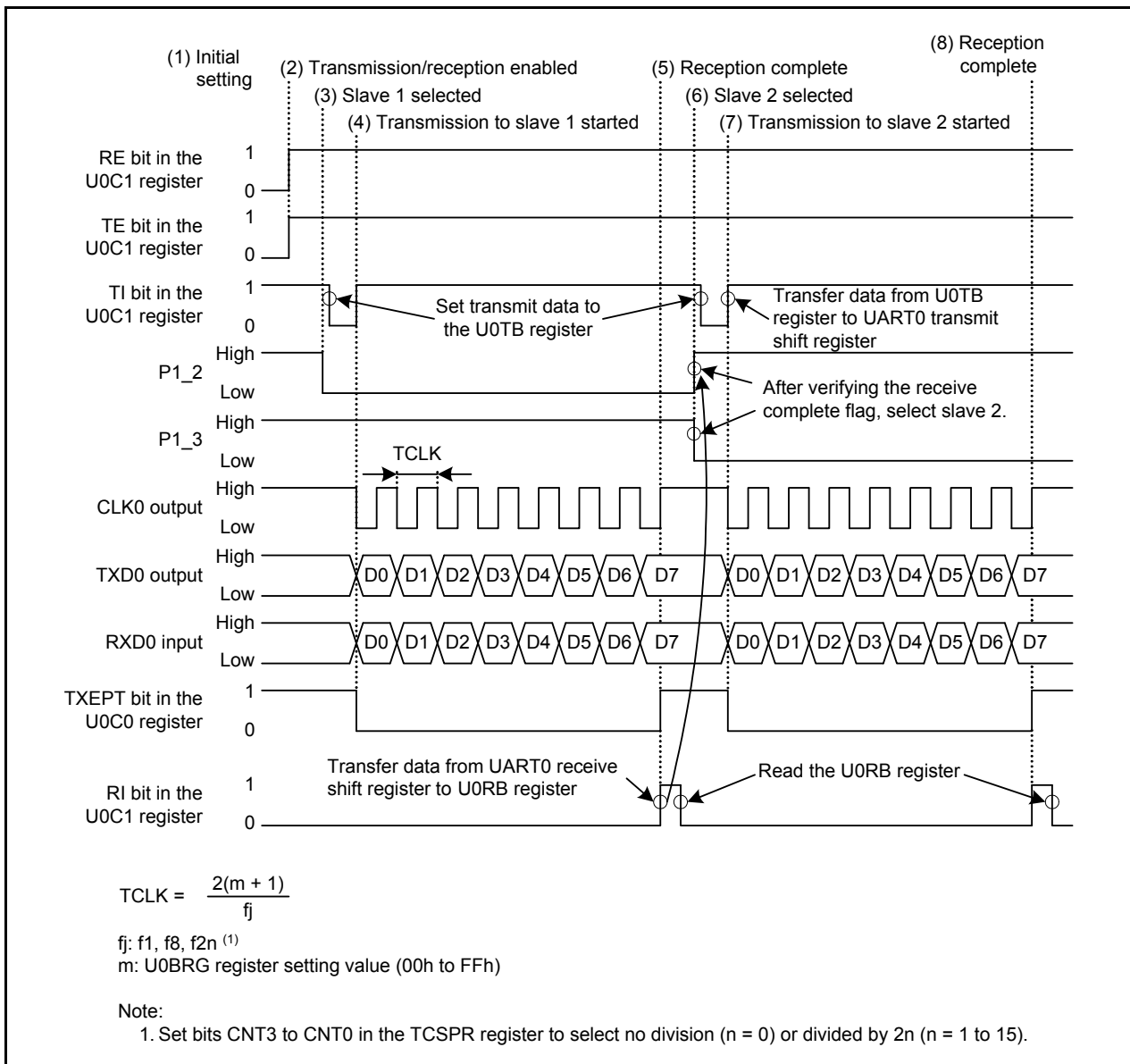


Figure 5.1 Timing Diagram

5.2 Constants

Table 5.1 lists the Constants Used in the Sample Code.

Table 5.1 Constants Used in the Sample Code

| Constant Name | Setting Value | Contents |
|----------------|---------------|--|
| OVR_ERROR_MASK | 1000h | Mask value of the overrun error |
| OVR_ERROR | 1000h | Comparative value of the overrun error |
| TRANS_DATA1 | 55h | Slave 1 transmit data |
| TRANS_DATA2 | AAh | Slave 2 transmit data |
| STATUS_TRANS | 00h | Transmit wait status |
| STATUS_RECEIVE | 01h | Receive wait status |
| STATUS_FINISH | 02h | Transmit/receive complete status |
| STATUS_OVERRUN | 03h | Overrun error status |
| SLV1_SELECT | 00h | Use slave 1 |
| SLV2_SELECT | 01h | Use slave 2 |

5.3 Variable

Table 5.2 lists the Global Variable.

Table 5.2 Global Variable

| Type | Variable Name | Contents | Function Used |
|---------------|---------------|----------|--------------------------|
| unsigned char | status | Status | main(), _uart0_receive() |

5.4 Functions

Table 5.3 lists the Functions.

Table 5.3 Functions

| Function Name | Outline |
|----------------|----------------------------------|
| uart0_init | UART0 initial setting |
| _uart0_receive | UART0 receive interrupt handling |

5.5 Function Specifications

The following tables list the sample code function specifications.

| uart0_init | |
|----------------|-----------------------------------|
| Outline | UART0 initial setting |
| Header | None |
| Declaration | void uart0_init(void) |
| Explanation | Perform initial setting on UART0. |
| Argument | None |
| Returned value | None |
| Remark | None |

| _uart0_receive | |
|----------------|---|
| Outline | UART0 receive interrupt handling |
| Header | None |
| Declaration | void _uart0_receive(void) |
| Explanation | When there is an overrun error, change the status to overrun. In all other cases, display the receive data to port P0, and set the status to transmit/receive complete. |
| Argument | None |
| Returned value | None |
| Remark | None |

5.6 Flowcharts

5.6.1 Main Processing

Figures 5.2 and 5.3 show the main processing.

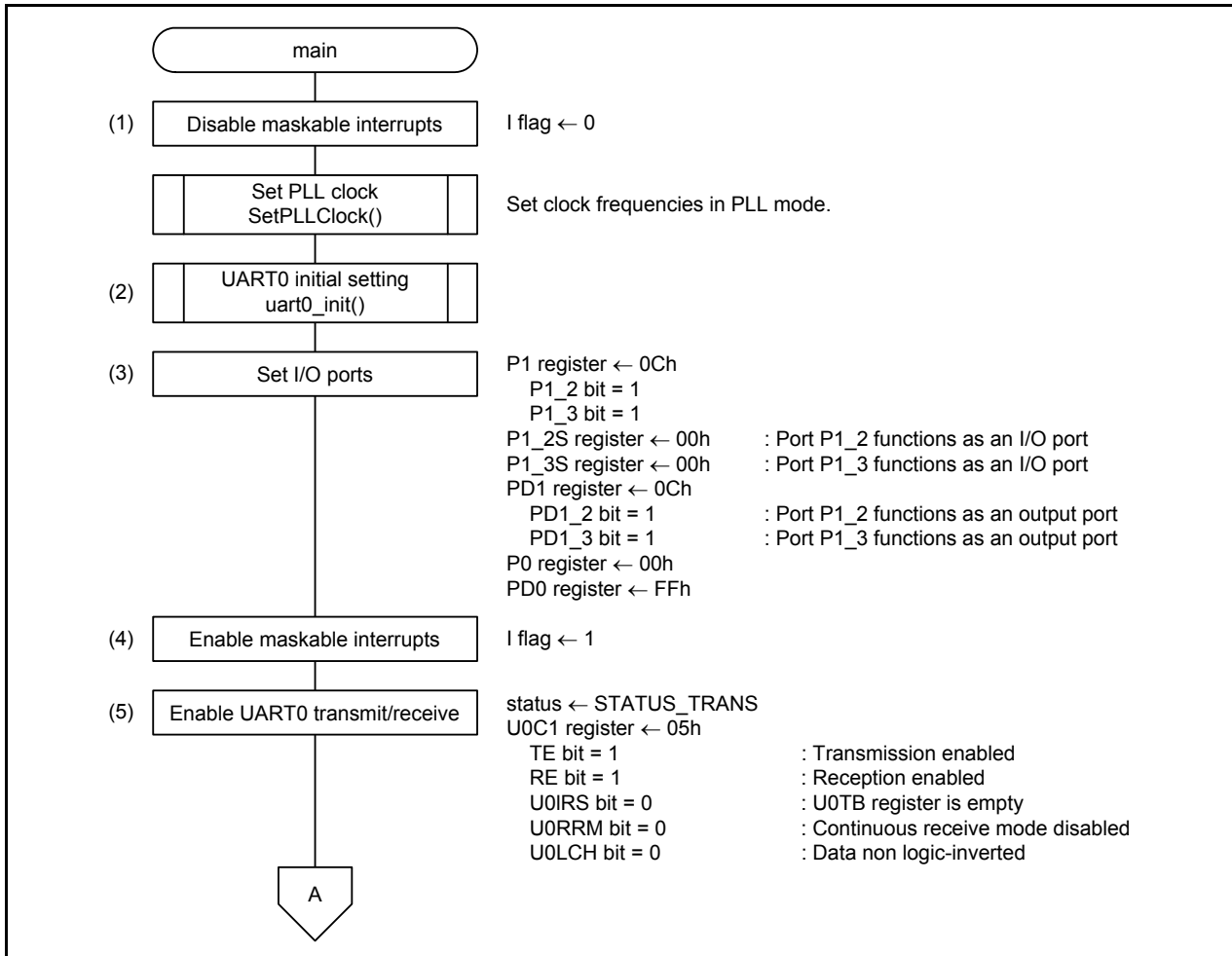


Figure 5.2 Main Processing (1/2)

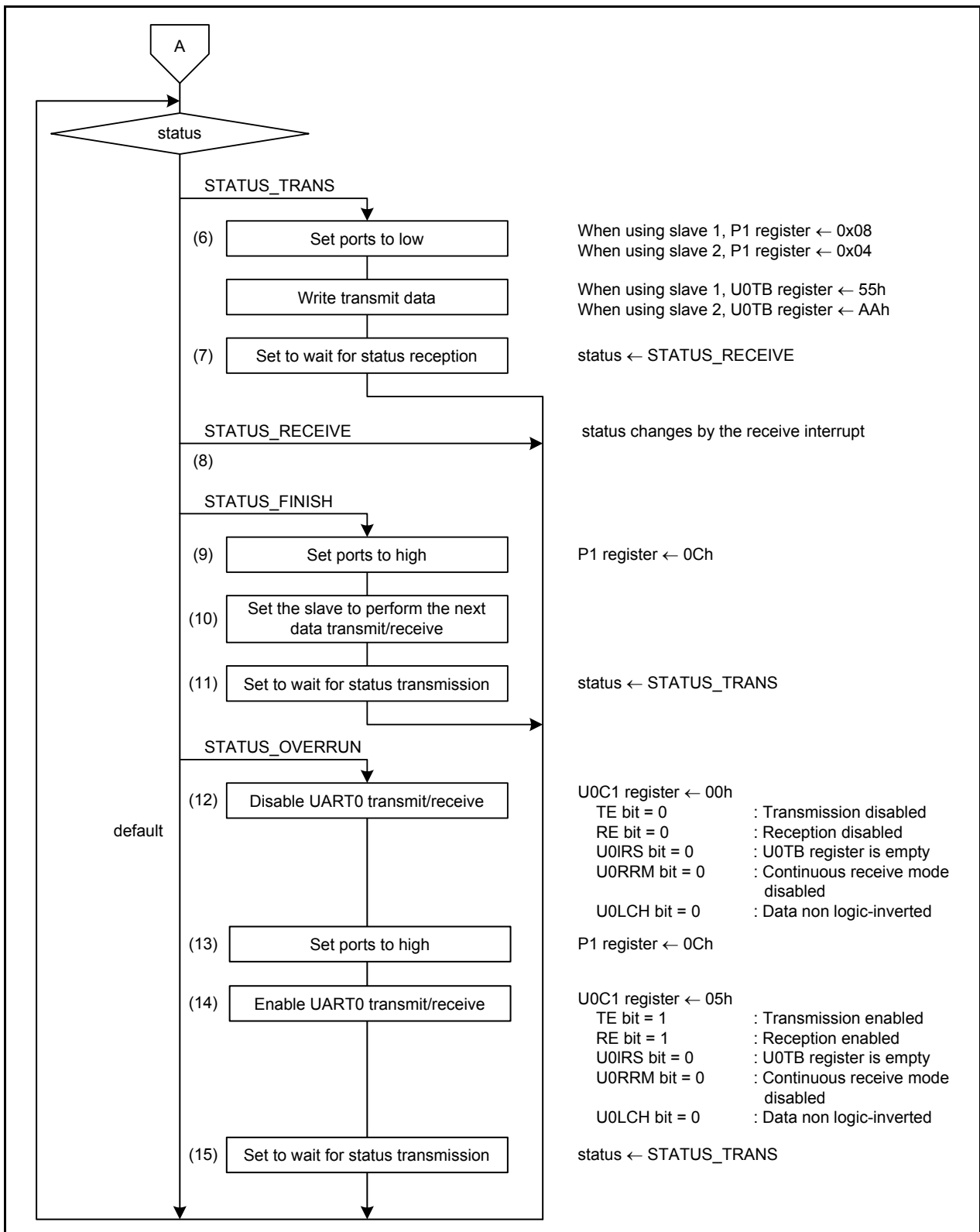


Figure 5.3 Main Processing (2/2)

5.6.2 UART0 Initial Setting

Figure 5.4 shows the initial setting for UART0.

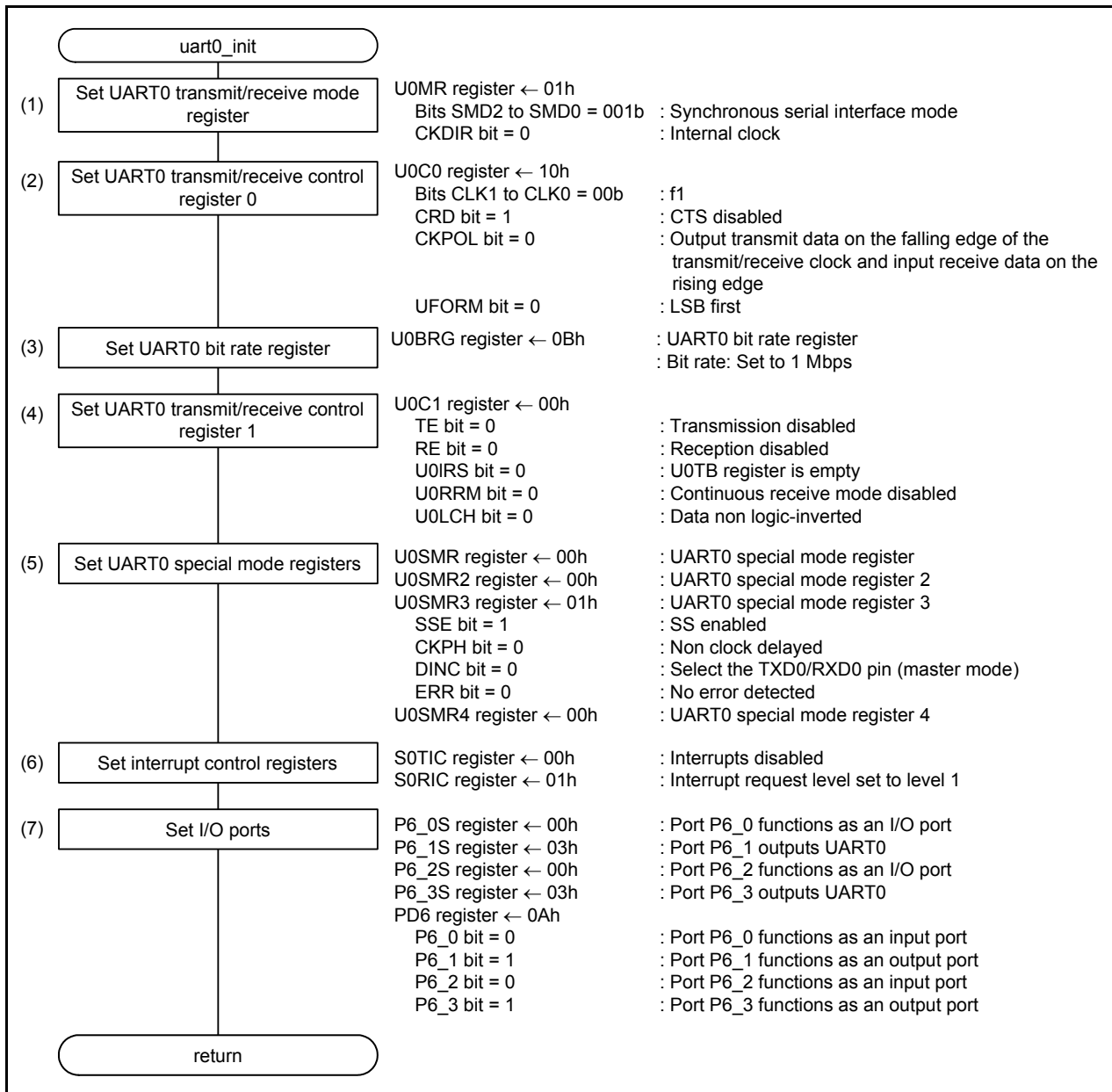


Figure 5.4 UART0 Initial Setting

5.6.3 UART0 Receive Interrupt Handling

Figure 5.5 shows the handling for the UART0 receive interrupt.

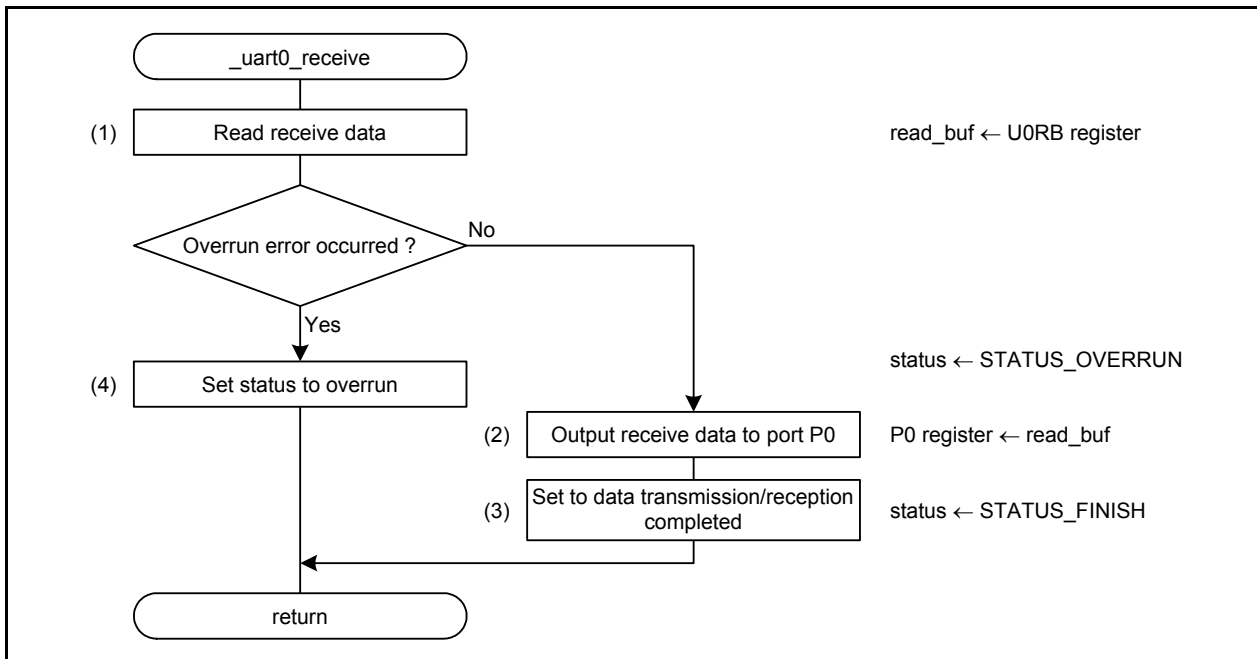


Figure 5.5 UART0 Receive Interrupt Handling

6. Sample Code

Sample code can be downloaded from the Renesas Electronics website.

7. Reference Documents

R32C/116 Group User's Manual: Hardware Rev.1.10

R32C/117 Group User's Manual: Hardware Rev.1.10

R32C/118 Group User's Manual: Hardware Rev.1.10

The latest versions can be downloaded from the Renesas Electronics website.

Technical Update/Technical News

The latest information can be downloaded from the Renesas Electronics website.

C Compiler Manual

R32C/100 Series C Compiler Package V.1.02

C Compiler User's Manual Rev.2.00

The latest version can be downloaded from the Renesas Electronics website.

Website and Support

Renesas Electronics website

<http://www.renesas.com/>

Inquiries

<http://www.renesas.com/inquiry>

| | |
|------------------|---|
| Revision History | R32C/100 Series Serial Interface Operation in Special Mode 2 Using Master Transmission/Reception |
|------------------|---|

| Rev. | Date | Description | |
|------|---------------|-------------|----------------------|
| | | Page | Summary |
| 1.00 | July 22, 2011 | — | First edition issued |

| |
|---|
| All trademarks and registered trademarks are the property of their respective owners. |
|---|

General Precautions in the Handling of MPU/MCU Products

The following usage notes are applicable to all MPU/MCU products from Renesas. For detailed usage notes on the products covered by this manual, refer to the relevant sections of the manual. If the descriptions under General Precautions in the Handling of MPU/MCU Products and in the body of the manual differ from each other, the description in the body of the manual takes precedence.

1. Handling of Unused Pins

Handle unused pins in accord with the directions given under Handling of Unused Pins in the manual.

- The input pins of CMOS products are generally in the high-impedance state. In operation with an unused pin in the open-circuit state, extra electromagnetic noise is induced in the vicinity of LSI, an associated shoot-through current flows internally, and malfunctions occur due to the false recognition of the pin state as an input signal become possible. Unused pins should be handled as described under Handling of Unused Pins in the manual.

2. Processing at Power-on

The state of the product is undefined at the moment when power is supplied.

- The states of internal circuits in the LSI are indeterminate and the states of register settings and pins are undefined at the moment when power is supplied.

In a finished product where the reset signal is applied to the external reset pin, the states of pins are not guaranteed from the moment when power is supplied until the reset process is completed.

In a similar way, the states of pins in a product that is reset by an on-chip power-on reset function are not guaranteed from the moment when power is supplied until the power reaches the level at which resetting has been specified.

3. Prohibition of Access to Reserved Addresses

Access to reserved addresses is prohibited.

- The reserved addresses are provided for the possible future expansion of functions. Do not access these addresses; the correct operation of LSI is not guaranteed if they are accessed.

4. Clock Signals

After applying a reset, only release the reset line after the operating clock signal has become stable. When switching the clock signal during program execution, wait until the target clock signal has stabilized.

- When the clock signal is generated with an external resonator (or from an external oscillator) during a reset, ensure that the reset line is only released after full stabilization of the clock signal. Moreover, when switching to a clock signal produced with an external resonator (or by an external oscillator) while program execution is in progress, wait until the target clock signal is stable.

5. Differences between Products

Before changing from one product to another, i.e. to one with a different part number, confirm that the change will not lead to problems.

- The characteristics of MPU/MCU in the same group but having different part numbers may differ because of the differences in internal memory capacity and layout pattern. When changing to products of different part numbers, implement a system-evaluation test for each of the products.

Notice

- All information included in this document is current as of the date this document is issued. Such information, however, is subject to change without any prior notice. Before purchasing or using any Renesas Electronics products listed herein, please confirm the latest product information with a Renesas Electronics sales office. Also, please pay regular and careful attention to additional and different information to be disclosed by Renesas Electronics such as that disclosed through our website.
- Renesas Electronics does not assume any liability for infringement of patents, copyrights, or other intellectual property rights of third parties by or arising from the use of Renesas Electronics products or technical information described in this document. No license, express, implied or otherwise, is granted hereby under any patents, copyrights or other intellectual property rights of Renesas Electronics or others.
- You should not alter, modify, copy, or otherwise misappropriate any Renesas Electronics product, whether in whole or in part.
- Descriptions of circuits, software and other related information in this document are provided only to illustrate the operation of semiconductor products and application examples. You are fully responsible for the incorporation of these circuits, software, and information in the design of your equipment. Renesas Electronics assumes no responsibility for any losses incurred by you or third parties arising from the use of these circuits, software, or information.
- When exporting the products or technology described in this document, you should comply with the applicable export control laws and regulations and follow the procedures required by such laws and regulations. You should not use Renesas Electronics products or the technology described in this document for any purpose relating to military applications or use by the military, including but not limited to the development of weapons of mass destruction. Renesas Electronics products and technology may not be used for or incorporated into any products or systems whose manufacture, use, or sale is prohibited under any applicable domestic or foreign laws or regulations.
- Renesas Electronics has used reasonable care in preparing the information included in this document, but Renesas Electronics does not warrant that such information is error free. Renesas Electronics assumes no liability whatsoever for any damages incurred by you resulting from errors in or omissions from the information included herein.
- Renesas Electronics products are classified according to the following three quality grades: "Standard", "High Quality", and "Specific". The recommended applications for each Renesas Electronics product depends on the product's quality grade, as indicated below. You must check the quality grade of each Renesas Electronics product before using it in a particular application. You may not use any Renesas Electronics product for any application categorized as "Specific" without the prior written consent of Renesas Electronics. Further, you may not use any Renesas Electronics product for any application for which it is not intended without the prior written consent of Renesas Electronics. Renesas Electronics shall not be in any way liable for any damages or losses incurred by you or third parties arising from the use of any Renesas Electronics product for an application categorized as "Specific" or for which the product is not intended where you have failed to obtain the prior written consent of Renesas Electronics. The quality grade of each Renesas Electronics product is "Standard" unless otherwise expressly specified in a Renesas Electronics data sheets or data books, etc.
"Standard": Computers; office equipment; communications equipment; test and measurement equipment; audio and visual equipment; home electronic appliances; machine tools; personal electronic equipment; and industrial robots.
"High Quality": Transportation equipment (automobiles, trains, ships, etc.); traffic control systems; anti-disaster systems; anti-crime systems; safety equipment; and medical equipment not specifically designed for life support.
"Specific": Aircraft; aerospace equipment; submersible repeaters; nuclear reactor control systems; medical equipment or systems for life support (e.g. artificial life support devices or systems), surgical implantations, or healthcare intervention (e.g. excision, etc.), and any other applications or purposes that pose a direct threat to human life.
- You should use the Renesas Electronics products described in this document within the range specified by Renesas Electronics, especially with respect to the maximum rating, operating supply voltage range, movement power voltage range, heat radiation characteristics, installation and other product characteristics. Renesas Electronics shall have no liability for malfunctions or damages arising out of the use of Renesas Electronics products beyond such specified ranges.
- Although Renesas Electronics endeavors to improve the quality and reliability of its products, semiconductor products have specific characteristics such as the occurrence of failure at a certain rate and malfunctions under certain use conditions. Further, Renesas Electronics products are not subject to radiation resistance design. Please be sure to implement safety measures to guard them against the possibility of physical injury, and injury or damage caused by fire in the event of the failure of a Renesas Electronics product, such as safety design for hardware and software including but not limited to redundancy, fire control and malfunction prevention, appropriate treatment for aging degradation or any other appropriate measures. Because the evaluation of microcomputer software alone is very difficult, please evaluate the safety of the final products or system manufactured by you.
- Please contact a Renesas Electronics sales office for details as to environmental matters such as the environmental compatibility of each Renesas Electronics product. Please use Renesas Electronics products in compliance with all applicable laws and regulations that regulate the inclusion or use of controlled substances, including without limitation, the EU RoHS Directive. Renesas Electronics assumes no liability for damages or losses occurring as a result of your noncompliance with applicable laws and regulations.
- This document may not be reproduced or duplicated, in any form, in whole or in part, without prior written consent of Renesas Electronics.
- Please contact a Renesas Electronics sales office if you have any questions regarding the information contained in this document or Renesas Electronics products, or if you have any other inquiries.
(Note 1) "Renesas Electronics" as used in this document means Renesas Electronics Corporation and also includes its majority-owned subsidiaries.
(Note 2) "Renesas Electronics product(s)" means any product developed or manufactured by or for Renesas Electronics.



SALES OFFICES

Renesas Electronics Corporation

<http://www.renesas.com>

Refer to "<http://www.renesas.com/>" for the latest and detailed information.

Renesas Electronics America Inc.
2880 Scott Boulevard Santa Clara, CA 95050-2554, U.S.A.
Tel: +1-408-586-6000, Fax: +1-408-586-6130

Renesas Electronics Canada Limited
1101 Nicholson Road, Newmarket, Ontario L3Y 9C3, Canada
Tel: +1-905-898-5441, Fax: +1-905-898-3220

Renesas Electronics Europe Limited
Dukes Meadow, Millboard Road, Bourne End, Buckinghamshire, SL8 5FH, U.K.
Tel: +44-1628-585-100, Fax: +44-1628-585-900

Renesas Electronics Europe GmbH
Arcadiastrasse 10, 40472 Düsseldorf, Germany
Tel: +49-211-65030, Fax: +49-211-6503-1327

Renesas Electronics (China) Co., Ltd.
7th Floor, Quantum Plaza, No.27 ZhiChunLu Haidian District, Beijing 100083, P.R.China
Tel: +86-10-8235-1155, Fax: +86-10-8235-7679

Renesas Electronics (Shanghai) Co., Ltd.
Unit 204, 205, AZIA Center, No.1233 Lujiazui Ring Rd., Pudong District, Shanghai 200120, China
Tel: +86-21-5877-1818, Fax: +86-21-6887-7858 / -7898

Renesas Electronics Hong Kong Limited
Unit 1601-1613, 16/F., Tower 2, Grand Century Place, 193 Prince Edward Road West, Mongkok, Kowloon, Hong Kong
Tel: +852-2886-9318, Fax: +852 2886-9022/9044

Renesas Electronics Taiwan Co., Ltd.
13F, No. 363, Fu Shing North Road, Taipei, Taiwan
Tel: +886-2-8175-9600, Fax: +886 2-8175-9670

Renesas Electronics Singapore Pte. Ltd.
1 HarbourFront Avenue, #06-10, Keppel Bay Tower, Singapore 098632
Tel: +65-6213-0200, Fax: +65-6276-8001

Renesas Electronics Malaysia Sdn.Bhd.
Unit 906, Block B, Menara Amcorp, Amcorp Trade Centre, No. 18, Jin Persiaran Barat, 46050 Petaling Jaya, Selangor Darul Ehsan, Malaysia
Tel: +60-3-7955-9390, Fax: +60-3-7955-9510

Renesas Electronics Korea Co., Ltd.
11F., Samik Lavied' or Bldg., 720-2 Yeoksam-Dong, Kangnam-Ku, Seoul 135-080, Korea
Tel: +82-2-558-3737, Fax: +82-2-558-5141