

## RS-485 Networks

### RS-485 Transient Protection in Industrial DC-Supply Buses

#### Abstract

The bus cables of industrial RS-485 networks share the same conduits with industrial DC supply buses, where cable miswiring and insulation breaks (due to sharp cable bends) are the main causes for shorts between data and supply conductors. To survive these fault conditions, overvoltage protected transceivers are needed, because they have bus terminals that possess high DC and AC standoff voltages that exceed the maximum possible DC supply voltage.

However, protecting bus data lines against even higher overvoltage transients, such as those caused by lightning strikes, requires Transient Voltage Suppressors (TVS) with specific switching characteristics.

This paper discusses the combination of an overvoltage protected transceiver and a TVS that protect RS-485 data lines against ESD, EFT, and Surge transients especially in industrial DC buses, which have a nominal 24V that can experience voltage excursions of up to 36V.

#### Contents

<b>1.</b>	<b>The Overvoltage Protected (OVP) RS-485 Transceiver</b>	<b>2</b>
1.1	Double Fold-Back Current Limiting	2
1.2	Transceiver Internal ESD Protection	3
1.3	Transient Voltage Suppressors (TVS) with high DC Standoff	3
1.4	Final Circuit Design	4
<b>2.</b>	<b>Conclusion</b>	<b>5</b>
<b>3.</b>	<b>Revision History</b>	<b>6</b>

#### List of Figures

Figure 1.	Overvoltage Protected RS-485 Transceiver Symbol and Voltage Range	2
Figure 2.	Double Fold-Back Current Limiting	2
Figure 3.	Snapback Characteristics of Transceiver ESD Cells and external TVS Diode	3
Figure 4.	Internal TVS Structure and Wiring Options	4
Figure 5.	Lightning-protected RS-485 Bus Nodes	5

#### Related Literature

- [AN1976](#): Important Transient Immunity Tests for RS-485 Networks
- [AN1977](#): Transient Voltage Suppressors: Operation and Features
- [AN1978](#): Surge Protection for Intersil's Standard RS-485 Transceivers
- [AN1979](#): Surge Protection simplified with Intersil's Overvoltage Protected (OVP) Transceivers

# 1. The Overvoltage Protected (OVP) RS-485 Transceiver

A transceiver like the one in [Figure 1](#) can withstand AC and DC overvoltages of up to  $\pm 60V$ . One bus line can hang at  $+60V$  while the other bus line sits at  $-60V$ , resulting in an impressive differential of  $120V$ . Transient events according to EIA-485 can even reach up to  $\pm 80V$ .

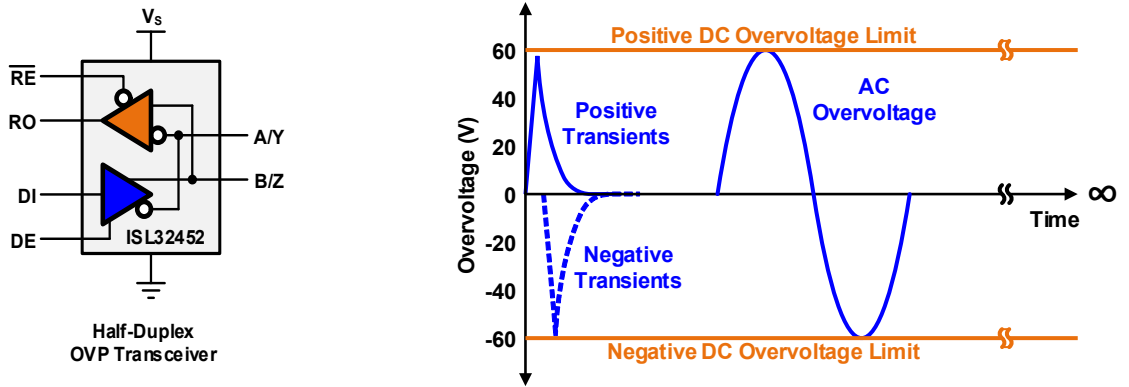


Figure 1. Overvoltage Protected RS-485 Transceiver Symbol and Voltage Range

Withstanding such high voltages is easy for a disabled transceiver, because it relies on the high breakdown voltages of its output transistors. However, overvoltages often occur during the most inconvenient times, such as during actual data transmissions. In this case, one of the bus drivers is enabled, trying to pump sufficient current down the line for the remote located receivers to detect correctly. A superseding overvoltage not allowing this to happen is understandable, as it is going to drive a much stronger current back into the driver.

## 1.1 Double Fold-Back Current Limiting

To prevent serious damage to the driver, a current limiting scheme that enables the driver to transmit data whenever possible yet limits its current during a fault event is necessary. Fault-protected transceivers (usually providing a common-mode range much wider than specified in the RS-485 standard) have driver stages with double fold-back current limiting.

[Figure 2](#) shows the current limiting function of the fault-protected transceiver in [Figure 1](#), which operates over the wide common-mode range of  $\pm 20V$ .

Here, a first fold-back current level of about  $63mA$  ensures that the driver never folds back when driving loads within the entire  $40V$  ( $\pm 20V$ ) common-mode range. Then, a much lower second fold-back current level ( $\sim 13mA$ ) minimizes power dissipation during an overvoltage fault event. This current limiting scheme ensures that the driver output current never exceeds the RS-485 specification, even at the common-mode and overvoltage range extremes.

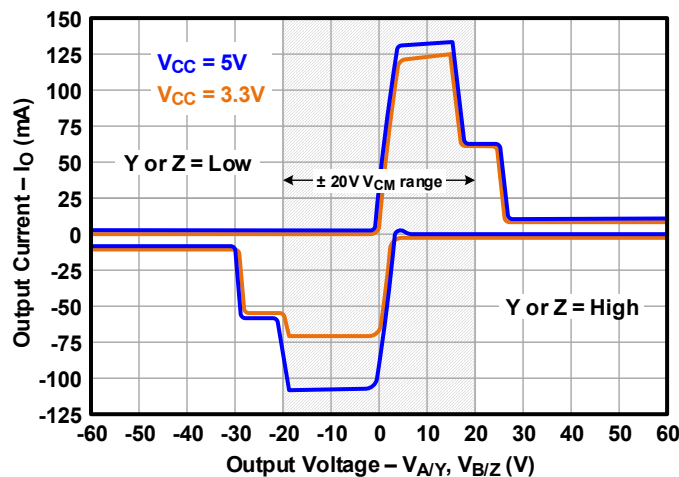


Figure 2. Double Fold-Back Current Limiting

If a major short-circuit condition occurs, the transceiver also provides a thermal shutdown function that disables the driver whenever the die temperature becomes excessive. This reduces power dissipation to zero and allows the die to cool. The driver automatically re-enables after the die temperature drops by about 15°C. If the fault condition persists, the thermal shutdown/re-enable cycle repeats until the fault is cleared. The receiver remains operational during thermal shutdown, and fault-protection is active regardless of whether the driver is enabled, disabled, or the IC is powered down.

### 1.2 Transceiver Internal ESD Protection

The transceiver internal ESD protection is accomplished with Silicon-Controlled Rectifiers (SCRs). These devices have a snapback rather than a Zener characteristic. They start conducting when an external voltage exceeds their trigger voltage threshold. Because of the high breakdown voltage of the driver output transistors, this trigger threshold is located at about ±70V to prevent erroneous triggering during normal operation. [Figure 3](#) depicts the symmetrical snapback characteristic of the transceiver in blue.

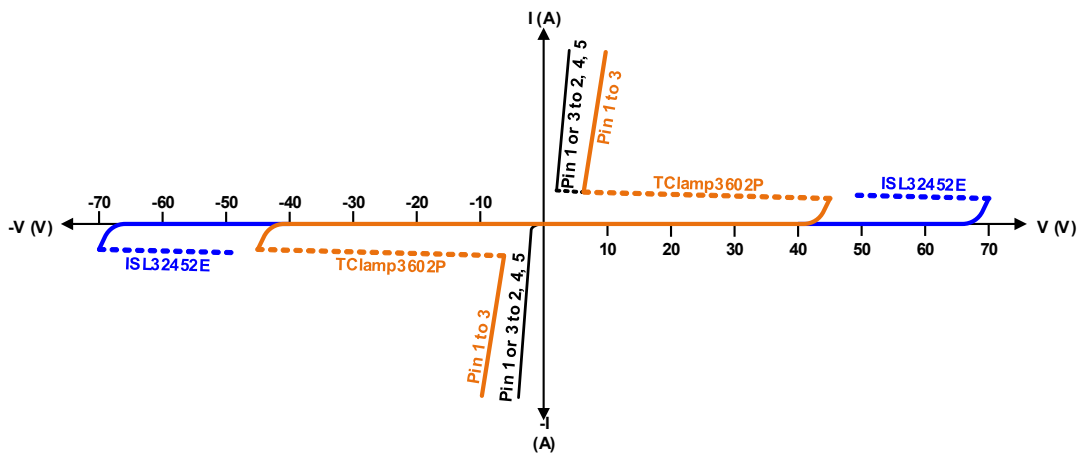


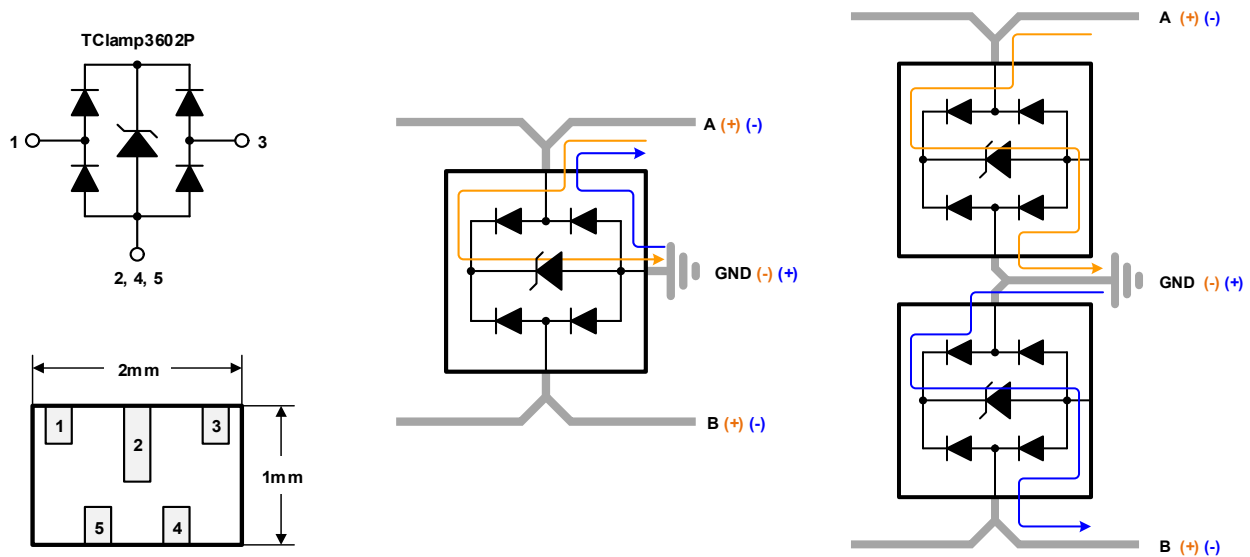
Figure 3. Snapback Characteristics of Transceiver ESD Cells and external TVS Diode

Setting the trigger thresholds far outside the operation limits has the enormous benefit of allowing the use of a wide range of TVS devices, which have high clamping voltages that remain below these trigger thresholds.

### 1.3 Transient Voltage Suppressors (TVS) with high DC Standoff

Many TVS devices exist that protect against the three major types of overvoltage transients: ESD, EFT, and Surge. To survive DC potentials of up to 36V, a TVS must have a working voltage of similar value and a reverse breakdown voltage of more than 40V. **Note:** The working voltage is the voltage where the leakage current into the TVS remains below 1mA. This is followed by the reverse breakdown, where the device starts slightly conducting and the current increases to 10mA.

[Figure 4 on page 4](#) depicts a TVS device, where inner structure consists of four current steering diodes and one center snapback diode with a typical reverse breakdown of 45V. The I-V characteristics are shown in [Figure 3](#).



**Figure 4. Internal TVS Structure and Wiring Options**

Despite its high breakdown voltage accompanied with a 350mW power absorption capability, this TVS has a footprint of only 2mmx1mm. Terminals 1 and 3 connect to the data lines while terminals 2, 4, and 5 present the ground connection.

Two wiring options exist. Using one TVS to protect two data lines leads to an asymmetrical clamping profile. For clarity the current paths for only one conductor are shown. Applying test pulses with positive polarity to the A and B conductors causes the transient currents to flow through a steering diode and the center snapback device. For negative pulses the currents only pass through a single diode. The resulting asymmetrical clamping characteristics is shown in [Figure 3](#) in black lines, denoted as Pin 1 or 3 to 2, 4, 5.

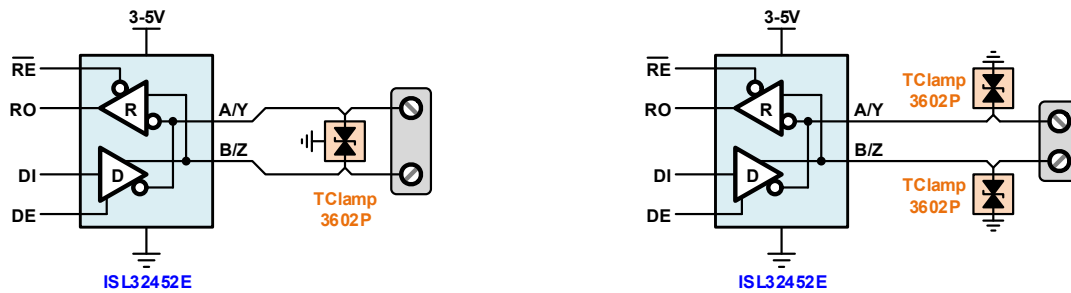
Using two TVS devices, one for each data line, results in the symmetrical clamping characteristic, denoted in [Figure 3](#) as Pin 1 to 3. Here the ground pins 2, 4, and 5 are not connected. Instead one the I/O terminals, 1 or 3, connect to a data line and the other one to ground. Therefore, the flow of transient current for positive and negative pulses remains symmetrical.

As can be seen in [Figure 3](#), the trigger thresholds of the TVS devices are way below the trigger thresholds for the internal SCRs of the transceiver; therefore, preventing interaction between the internal and the external protection schemes.

## 1.4 Final Circuit Design

The asymmetrical clamping of the single TVS solution drastically limits the common-mode range of the transceiver for negative common-mode voltages. Use this solution only in applications with small common-mode variations. In any other case, protect each line with a single TVS. The added footprint of 2mm<sup>2</sup> lets you enjoy the full  $\pm 20\text{V}$  common-mode range and ensures you RS-485 compliance.

Another benefit of this TVS is its low junction capacitance of 4pF (maximum), which allows you to either protect each single node in long-haul networks, or the protection of high-speed (40Mbps) point-to-point data links without affecting signal integrity.



**Figure 5. Lightning-protected RS-485 Bus Nodes**

There are of course several design hints that let you proactively minimize the effects of overvoltage transients. Recall that the front and half times of ESD and EFT pulses is in the lower nano-second range. These transient times lead to a frequency spectrum ranging from some 30Hz up to 300MHz. Therefore, designing a robust overvoltage protection scheme turns into an RF design with all its requirements for decoupling and low-inductance return paths.

Hence, ensure your reference planes, GND and VCC, are true copper planes such as without holes or cutouts. These ensure low-inductance return paths. **Note:** High-frequency signals follow the path of least inductance, not the one of least impedance.

This in turn requires the use of multi-layer boards. Route signal traces on the top layer, followed by the ground (second layer) and VCC (third layer) planes. Route control signals, such as the enable signals, DE and /RE, on the bottom layer.

Place the TVS device as close as possible to the board connector to prevent transients from penetrating the board. Design the data line traces such, that currents flow easily into the TVS part before they proceed towards the transceiver bus terminals. Typical trace design uses small V-connections as shown in [Figure 5](#).

Use decoupling capacitors close to the supply terminals of the transceiver as well as other IC you might on the board.

Preferably use one capacitor value for decoupling. Construct larger values through paralleling capacitors. The reactance of capacitors is first capacitive and later, with increasing frequency, inductive. Using multiple capacitor values might cause the inductance of one cap-value to form an LC-tank with the capacitance of another cap-value, causing significant EMI.

Use a minimum of two ground vias for TVS devices and decoupling capacitors to minimize via inductance.

## 2. Conclusion

The combination of overvoltage protected transceivers (fault-protected transceivers) in combination with modern transient voltage suppressors simplifies overvoltage protection design cost, space, and time drastically. The results of the overvoltages tests applied to the two protection schemes in [Figure 5](#) are listed in [Table 1](#):

**Table 1. Overvoltage Test Results**

Protection Scheme	TVS Device	V <sub>RWM</sub> (V)	Transceiver	Surge Voltage (kV) ( <a href="#">Note 1</a> )	EFT Voltage (kV)	ESD Voltage (kV)		Bus Cap. (pF)
1 TVS	TClamp3602P	36	ISL32452E	±1.75	±2	±30	Contact	2.6
						±30	Air	
2 TVS	TClamp3602P	36	ISL32452E	±3.00	±2	±25	Contact	2.3
						±30	Air	

**Note:**

1. The surge level reported is the maximum passing voltage. Customer can reference to the surge rating in datasheet for PCB design.

Renesas has an arsenal of OVP transceivers, which in combination with Semtech TVS devices provide a variety of transient protection solutions for a wide range of applications.

---

### 3. Revision History

Rev.	Date	Description
1.00	Nov.18.19	Initial release

## Notice

1. Descriptions of circuits, software and other related information in this document are provided only to illustrate the operation of semiconductor products and application examples. You are fully responsible for the incorporation or any other use of the circuits, software, and information in the design of your product or system. Renesas Electronics disclaims any and all liability for any losses and damages incurred by you or third parties arising from the use of these circuits, software, or information.
2. Renesas Electronics hereby expressly disclaims any warranties against and liability for infringement or any other claims involving patents, copyrights, or other intellectual property rights of third parties, by or arising from the use of Renesas Electronics products or technical information described in this document, including but not limited to, the product data, drawings, charts, programs, algorithms, and application examples.
3. No license, express, implied or otherwise, is granted hereby under any patents, copyrights or other intellectual property rights of Renesas Electronics or others.
4. You shall not alter, modify, copy, or reverse engineer any Renesas Electronics product, whether in whole or in part. Renesas Electronics disclaims any and all liability for any losses or damages incurred by you or third parties arising from such alteration, modification, copying or reverse engineering.
5. Renesas Electronics products are classified according to the following two quality grades: "Standard" and "High Quality". The intended applications for each Renesas Electronics product depends on the product's quality grade, as indicated below.
  - "Standard": Computers; office equipment; communications equipment; test and measurement equipment; audio and visual equipment; home electronic appliances; machine tools; personal electronic equipment; industrial robots; etc.
  - "High Quality": Transportation equipment (automobiles, trains, ships, etc.); traffic control (traffic lights); large-scale communication equipment; key financial terminal systems; safety control equipment; etc.Unless expressly designated as a high reliability product or a product for harsh environments in a Renesas Electronics data sheet or other Renesas Electronics document, Renesas Electronics products are not intended or authorized for use in products or systems that may pose a direct threat to human life or bodily injury (artificial life support devices or systems; surgical implantations; etc.), or may cause serious property damage (space system; undersea repeaters; nuclear power control systems; aircraft control systems; key plant systems; military equipment; etc.). Renesas Electronics disclaims any and all liability for any damages or losses incurred by you or any third parties arising from the use of any Renesas Electronics product that is inconsistent with any Renesas Electronics data sheet, user's manual or other Renesas Electronics document.
6. When using Renesas Electronics products, refer to the latest product information (data sheets, user's manuals, application notes, "General Notes for Handling and Using Semiconductor Devices" in the reliability handbook, etc.), and ensure that usage conditions are within the ranges specified by Renesas Electronics with respect to maximum ratings, operating power supply voltage range, heat dissipation characteristics, installation, etc. Renesas Electronics disclaims any and all liability for any malfunctions, failure or accident arising out of the use of Renesas Electronics products outside of such specified ranges.
7. Although Renesas Electronics endeavors to improve the quality and reliability of Renesas Electronics products, semiconductor products have specific characteristics, such as the occurrence of failure at a certain rate and malfunctions under certain use conditions. Unless designated as a high reliability product or a product for harsh environments in a Renesas Electronics data sheet or other Renesas Electronics document, Renesas Electronics products are not subject to radiation resistance design. You are responsible for implementing safety measures to guard against the possibility of bodily injury, injury or damage caused by fire, and/or danger to the public in the event of a failure or malfunction of Renesas Electronics products, such as safety design for hardware and software, including but not limited to redundancy, fire control and malfunction prevention, appropriate treatment for aging degradation or any other appropriate measures. Because the evaluation of microcomputer software alone is very difficult and impractical, you are responsible for evaluating the safety of the final products or systems manufactured by you.
8. Please contact a Renesas Electronics sales office for details as to environmental matters such as the environmental compatibility of each Renesas Electronics product. You are responsible for carefully and sufficiently investigating applicable laws and regulations that regulate the inclusion or use of controlled substances, including without limitation, the EU RoHS Directive, and using Renesas Electronics products in compliance with all these applicable laws and regulations. Renesas Electronics disclaims any and all liability for damages or losses occurring as a result of your noncompliance with applicable laws and regulations.
9. Renesas Electronics products and technologies shall not be used for or incorporated into any products or systems whose manufacture, use, or sale is prohibited under any applicable domestic or foreign laws or regulations. You shall comply with any applicable export control laws and regulations promulgated and administered by the governments of any countries asserting jurisdiction over the parties or transactions.
10. It is the responsibility of the buyer or distributor of Renesas Electronics products, or any other party who distributes, disposes of, or otherwise sells or transfers the product to a third party, to notify such third party in advance of the contents and conditions set forth in this document.
11. This document shall not be reprinted, reproduced or duplicated in any form, in whole or in part, without prior written consent of Renesas Electronics.
12. Please contact a Renesas Electronics sales office if you have any questions regarding the information contained in this document or Renesas Electronics products.

(Note1) "Renesas Electronics" as used in this document means Renesas Electronics Corporation and also includes its directly or indirectly controlled subsidiaries.

(Note2) "Renesas Electronics product(s)" means any product developed or manufactured by or for Renesas Electronics.

(Rev.4.0-1 November 2017)

## Corporate Headquarters

TOYOSU FORESIA, 3-2-24 Toyosu,  
Koto-ku, Tokyo 135-0061, Japan  
[www.renesas.com](http://www.renesas.com)

## Contact Information

For further information on a product, technology, the most up-to-date version of a document, or your nearest sales office, please visit:  
[www.renesas.com/contact/](http://www.renesas.com/contact/)

## Trademarks

Renesas and the Renesas logo are trademarks of Renesas Electronics Corporation. All trademarks and registered trademarks are the property of their respective owners.