

致尊敬的顾客

关于产品目录等资料中的旧公司名称

NEC电子公司与株式会社瑞萨科技于2010年4月1日进行业务整合（合并），整合后的新公司暨“瑞萨电子公司”继承两家公司的所有业务。因此，本资料中虽还保留有旧公司名称等标识，但是并不妨碍本资料的有效性，敬请谅解。

瑞萨电子公司网址：<http://www.renesas.com>

2010年4月1日
瑞萨电子公司

【发行】瑞萨电子公司（<http://www.renesas.com>）

【业务咨询】<http://www.renesas.com/inquiry>

Notice

1. All information included in this document is current as of the date this document is issued. Such information, however, is subject to change without any prior notice. Before purchasing or using any Renesas Electronics products listed herein, please confirm the latest product information with a Renesas Electronics sales office. Also, please pay regular and careful attention to additional and different information to be disclosed by Renesas Electronics such as that disclosed through our website.
2. Renesas Electronics does not assume any liability for infringement of patents, copyrights, or other intellectual property rights of third parties by or arising from the use of Renesas Electronics products or technical information described in this document. No license, express, implied or otherwise, is granted hereby under any patents, copyrights or other intellectual property rights of Renesas Electronics or others.
3. You should not alter, modify, copy, or otherwise misappropriate any Renesas Electronics product, whether in whole or in part.
4. Descriptions of circuits, software and other related information in this document are provided only to illustrate the operation of semiconductor products and application examples. You are fully responsible for the incorporation of these circuits, software, and information in the design of your equipment. Renesas Electronics assumes no responsibility for any losses incurred by you or third parties arising from the use of these circuits, software, or information.
5. When exporting the products or technology described in this document, you should comply with the applicable export control laws and regulations and follow the procedures required by such laws and regulations. You should not use Renesas Electronics products or the technology described in this document for any purpose relating to military applications or use by the military, including but not limited to the development of weapons of mass destruction. Renesas Electronics products and technology may not be used for or incorporated into any products or systems whose manufacture, use, or sale is prohibited under any applicable domestic or foreign laws or regulations.
6. Renesas Electronics has used reasonable care in preparing the information included in this document, but Renesas Electronics does not warrant that such information is error free. Renesas Electronics assumes no liability whatsoever for any damages incurred by you resulting from errors in or omissions from the information included herein.
7. Renesas Electronics products are classified according to the following three quality grades: “Standard”, “High Quality”, and “Specific”. The recommended applications for each Renesas Electronics product depends on the product’s quality grade, as indicated below. You must check the quality grade of each Renesas Electronics product before using it in a particular application. You may not use any Renesas Electronics product for any application categorized as “Specific” without the prior written consent of Renesas Electronics. Further, you may not use any Renesas Electronics product for any application for which it is not intended without the prior written consent of Renesas Electronics. Renesas Electronics shall not be in any way liable for any damages or losses incurred by you or third parties arising from the use of any Renesas Electronics product for an application categorized as “Specific” or for which the product is not intended where you have failed to obtain the prior written consent of Renesas Electronics. The quality grade of each Renesas Electronics product is “Standard” unless otherwise expressly specified in a Renesas Electronics data sheets or data books, etc.
 - “Standard”: Computers; office equipment; communications equipment; test and measurement equipment; audio and visual equipment; home electronic appliances; machine tools; personal electronic equipment; and industrial robots.
 - “High Quality”: Transportation equipment (automobiles, trains, ships, etc.); traffic control systems; anti-disaster systems; anti-crime systems; safety equipment; and medical equipment not specifically designed for life support.
 - “Specific”: Aircraft; aerospace equipment; submersible repeaters; nuclear reactor control systems; medical equipment or systems for life support (e.g. artificial life support devices or systems), surgical implantations, or healthcare intervention (e.g. excision, etc.), and any other applications or purposes that pose a direct threat to human life.
8. You should use the Renesas Electronics products described in this document within the range specified by Renesas Electronics, especially with respect to the maximum rating, operating supply voltage range, movement power voltage range, heat radiation characteristics, installation and other product characteristics. Renesas Electronics shall have no liability for malfunctions or damages arising out of the use of Renesas Electronics products beyond such specified ranges.
9. Although Renesas Electronics endeavors to improve the quality and reliability of its products, semiconductor products have specific characteristics such as the occurrence of failure at a certain rate and malfunctions under certain use conditions. Further, Renesas Electronics products are not subject to radiation resistance design. Please be sure to implement safety measures to guard them against the possibility of physical injury, and injury or damage caused by fire in the event of the failure of a Renesas Electronics product, such as safety design for hardware and software including but not limited to redundancy, fire control and malfunction prevention, appropriate treatment for aging degradation or any other appropriate measures. Because the evaluation of microcomputer software alone is very difficult, please evaluate the safety of the final products or system manufactured by you.
10. Please contact a Renesas Electronics sales office for details as to environmental matters such as the environmental compatibility of each Renesas Electronics product. Please use Renesas Electronics products in compliance with all applicable laws and regulations that regulate the inclusion or use of controlled substances, including without limitation, the EU RoHS Directive. Renesas Electronics assumes no liability for damages or losses occurring as a result of your noncompliance with applicable laws and regulations.
11. This document may not be reproduced or duplicated, in any form, in whole or in part, without prior written consent of Renesas Electronics.
12. Please contact a Renesas Electronics sales office if you have any questions regarding the information contained in this document or Renesas Electronics products, or if you have any other inquiries.

(Note 1) “Renesas Electronics” as used in this document means Renesas Electronics Corporation and also includes its majority-owned subsidiaries.

(Note 2) “Renesas Electronics product(s)” means any product developed or manufactured by or for Renesas Electronics.

M16C/65 群

定时器 A 操作（脉宽调制模式、16 位 PWM）

1. 要点

在 PWM 模式中，可以选择如表 1 中所列的各种功能。在表 1 中用符号“○”表示本篇资料所选的项目，图 1 是定时器的工作时序图。本篇资料的参考例程是定时器 A1 选择 PWM 模式的例子。

2. 说明

本篇资料，适用于 M16C/65 群单片机。

本篇应用说明也适用于 M16C 族中与上面所述的群具有相同 SFR（特殊功能寄存器）定义的产品。关于产品功能的改进，请参看手册中的相关信息。在使用本篇应用说明的程序前，需进行详细的评价。

3. 选定功能

表 1. 选定功能

设定项目	设定内容	
计数源	<input type="radio"/>	内部时钟源 (f1TIMAB/f2TIMAB/f8TIMAB/f32TIMAB/f64TIMAB/fOCO-F/fOCO-S/fc32)
PWM 模式	<input type="radio"/>	16 位 PWM
	<input type="radio"/>	8 位 PWM
计数开始条件	<input type="radio"/>	外部触发输入 (TAiIN 引脚输入信号的下降沿)
	<input type="radio"/>	外部触发输入 (TAiIN 引脚输入信号的上升沿)
	<input type="radio"/>	计数器溢出 (TB2/TAj/TAK 溢出)
输出极性控制	<input type="radio"/>	输出波形“高”电平有效
	<input type="radio"/>	输出波形“低”电平有效 (输出反转)

注: $j = i - 1$, 在 $i = 0$ 时 $j = 4$ $k = i + 1$, 在 $i = 4$ 时 $k = 0$

4. 定时器 A 的操作

(1) 当 TAiIN 引脚输入电平由“低”变为“高”，并且把计数开始标志位置为“1”时，计数器开始对计数脉冲源的下降沿计数。同时，TAiOUT 引脚输出“高”电平。

(2) 计数经过预设的周期长度之后，TAiOUT 引脚输出电平从“高”变为“低”。同时，定时器 Ai 中断请求位置为“1”。

(3) 每次在 PWM 输出一个周期之后，重加载寄存器的设定值被加载到计数器，计数器继续进行计数。

(4) 把计数开始标志位置为“0”，计数器停止计数，并且保持当前值。同时，TAiOUT 输出“低”电平。

注意: PWM 周期为 $(2^{16} - 1)/fi$ ，高电平宽度为 n/fi 。如果定时器 Ai 寄存器的值被设定为“0000h”，PWM 功能不会工作，并且 TAiOUT 引脚输出电平为“L”，因此定时器 Ai 中断请求也不会产生。

(fi: 计数源频率 f1TIMAB/f2TIMAB/f8TIMAB/f32TIMAB/f64TIMAB/fOCO-S/fc32 n: 定时器值)

选择 PWM 模式的定时器工作时序图如下所示:

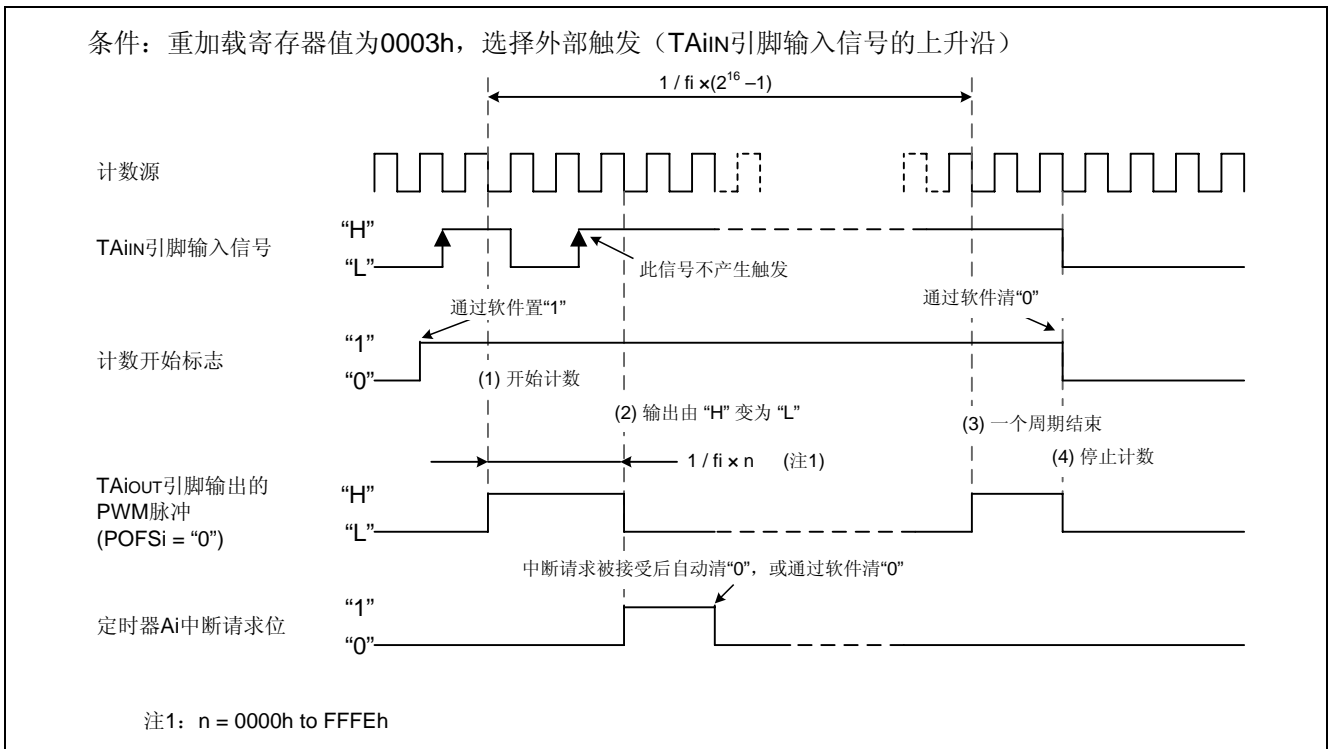


图 1. 选择 PWM 模式定时器的工作时序图

5. 寄存器设置

在定时器模式中，定时器 A 可以选择如表 2 中所列的各种计数源，定时器 A 计数源的结构框图如图 2 所示。

表 2. 定时器 A 计数源的选择

TCKDIVC0 寄存器 (注 1)	TACSi 寄存器 (注 2)				TAiMR 寄存器		计数源	计数源周期
	TCS3/ TCS7	TCS2/ TCS6	TCS1/ TCS5	TCS0/ TCS4	TCK1	TCK0		
TCDIV00								f(XiN):20MHz f(XciN):32.768kHz f(oco-F):约 20MHz f(oco-s):约 125kHz
0	0	-	-	-	0	0	f1TIMAB/f2TIMAB (注 3)	50ns/100ns
0	0	-	-	-	0	1	f8TIMAB	400ns
0	0	-	-	-	1	0	f32TIMAB	1600ns
0	0	-	-	-	1	1	fc32	976.56μs
0	1	0	0	0	-	-	f1TIMAB/f2TIMAB (注 3)	50ns/100ns
0	1	0	0	1	-	-	f8TIMAB	400ns
0	1	0	1	0	-	-	f32TIMAB	1600ns
0	1	0	1	1	-	-	f64TIMAB	3200ns
0	1	1	0	0	-	-	foco-F	约 50ns
0	1	1	0	1	-	-	foco-s	约 8μs
0	1	1	1	0	-	-	fc32	976.56μs
1	1	0	0	0	-	-	f1TIMAB/f2TIMAB (注 3)	约 50ns/100ns
1	1	0	0	1	-	-	f8TIMAB	约 400ns
1	1	0	1	0	-	-	f32TIMAB	约 1600ns
1	1	0	1	1	-	-	f64TIMAB	约 3200ns

注 1: TCDIV00 位是定时器 AB 分频前时钟选择位。请在设定和定时器 A 相关的其它寄存器之前设定 TCDIV00 位。在改变 TCDIV00 位后，请再次设定和定时器 A 相关的其它寄存器。

注 2: TACS0 寄存器的 TCS3~TCS0 位和定时器 A0 计数源的选择相对应，TACS0 寄存器的 TCS7~TCS4 位和定时器 A1 计数源的选择相对应，TACS1 寄存器的 TCS3~TCS0 位和定时器 A2 计数源的选择相对应，TACS1 寄存器的 TCS7~TCS4 位和定时器 A3 计数源的选择相对应，TACS2 寄存器的 TCS3~TCS0 位和定时器 A4 计数源的选择相对应。

注 3 如果 PCLKR 寄存器中的 PCLK0 位为“0”选择 f2TIMAB 作为计数源，PCLK0 位为“1”选择 f1TIMAB 作为计数源（复位设定值）。

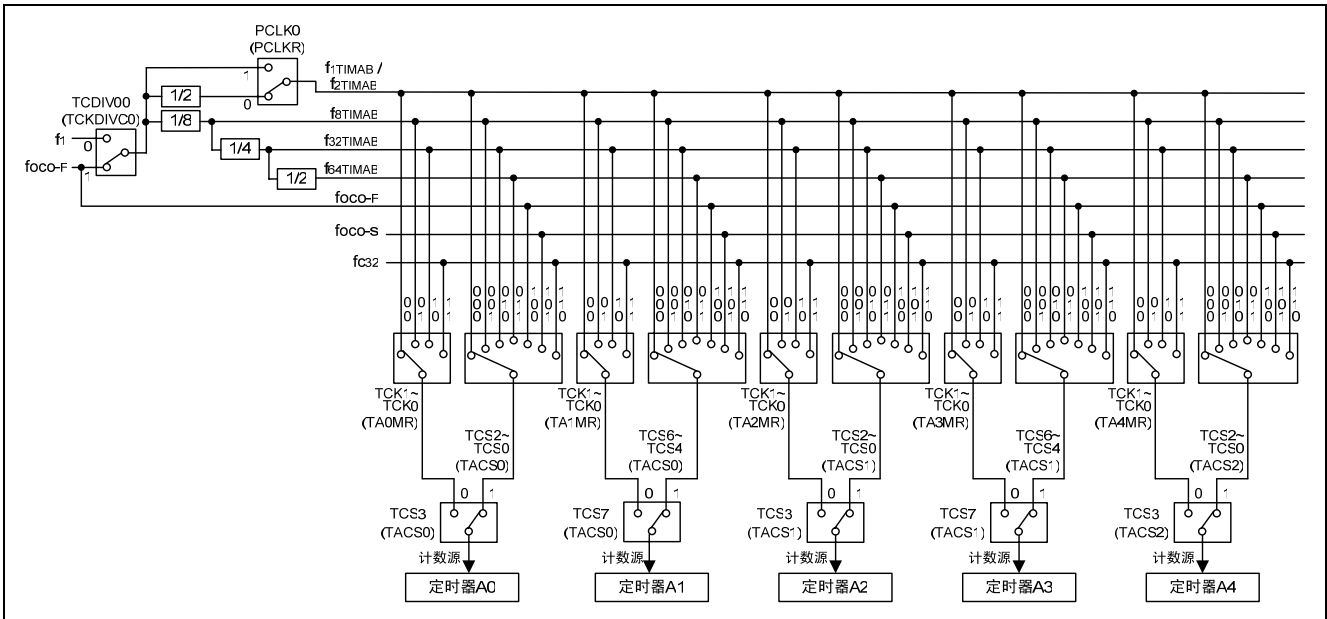
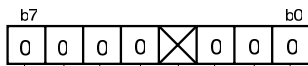


图 2. 定时器 A 的计数源

为了能够实现定义在“4. 定时器 A 的操作”的功能，下列寄存器必须按步骤顺序进行设置。对于每个寄存器的具体结构，请参考 M16C/65 群的硬件手册。

(1) 选择定时器计数源

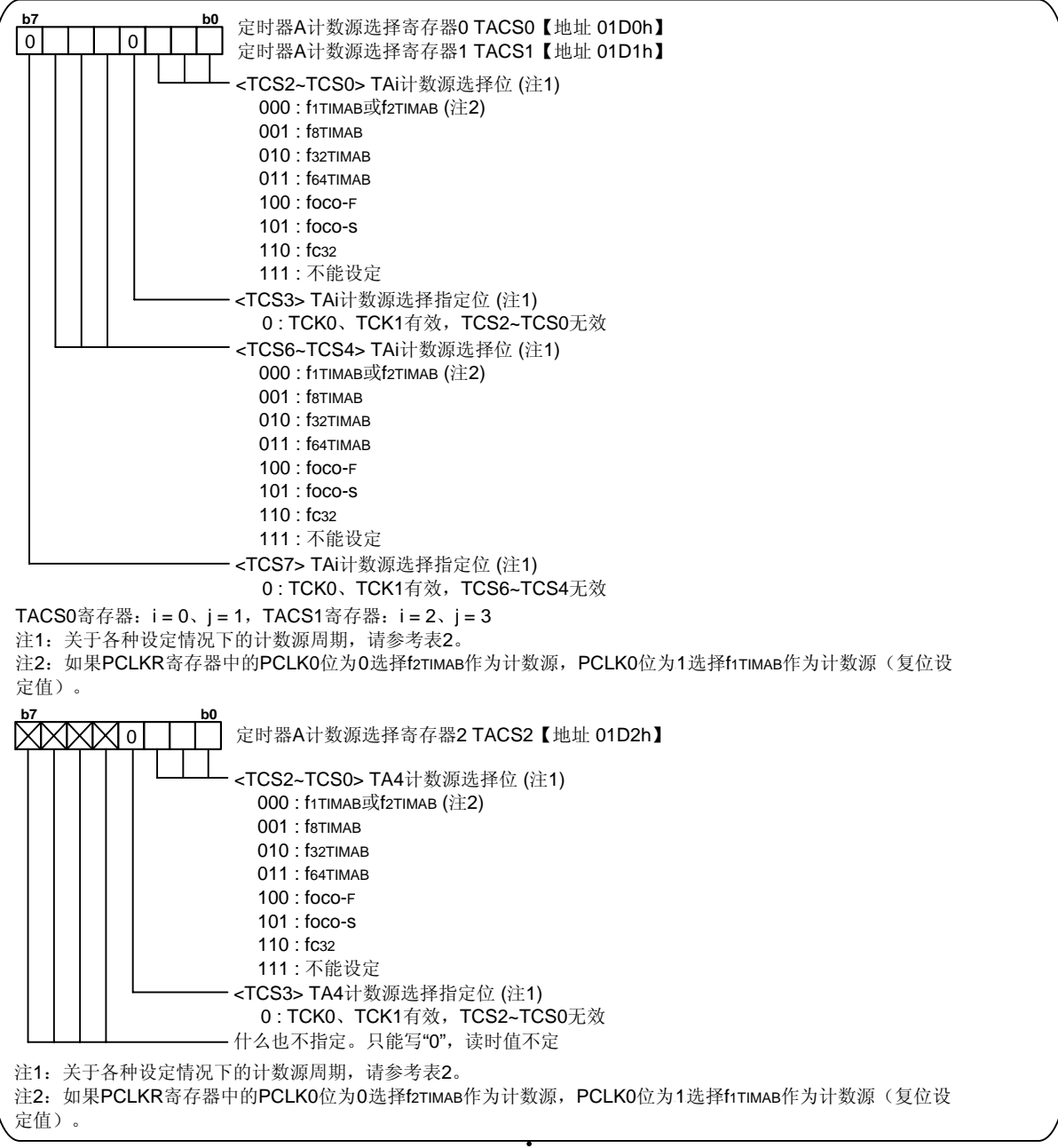
（请在设定和定时器A相关的其它寄存器之前设定TCDIV00位。在改变TCDIV00位后，请再次设定和定时器A相关的其它寄存器。）



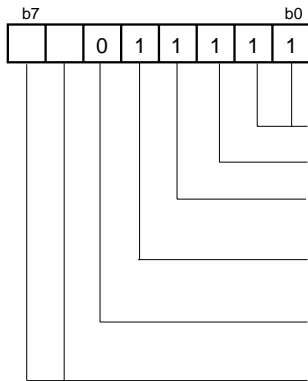
定时器AB分频控制寄存器0 TCKDIVC0 【地址 01CBh】

- 定时器AB分频前时钟选择位
0 : f1
- 保留位
设定为“0”
- 什么也不指定。只能写“0”，读时值不定
- 保留位
设定为“0”

⋮



(2) 选择PWM模式和功能

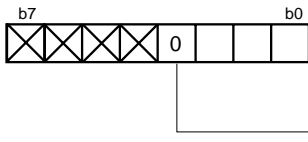


定时器A0模式寄存器 TA0MR 【地址 0336h】
 定时器A1模式寄存器 TA1MR 【地址 0337h】
 定时器A2模式寄存器 TA2MR 【地址 0338h】
 定时器A3模式寄存器 TA3MR 【地址 0339h】
 定时器A4模式寄存器 TA4MR 【地址 033Ah】
 选择PWM工作模式

1 (在PWM模式下, 请设定为“1”)
 外部触发选择位
 1: 通过TAiIn引脚输入信号的上升沿触发 (注1)
 触发选择位
 1: 通过事件/触发选择寄存器选择
 16/8位 PWM 模式选择位
 0: 16位PWM
 计数源选择位 (注2)
 b7 b6
 00 : f1TIMAB或f2TIMAB (注3)
 01 : f8TIMAB
 10 : f32TIMAB
 11 : fc32

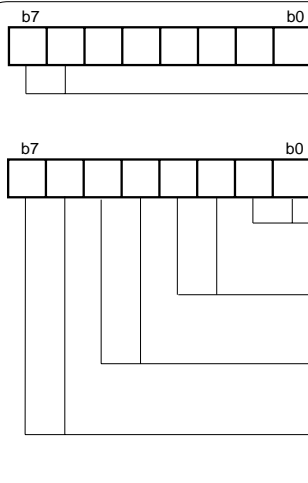
注1: 当ONSF寄存器或TRGSR寄存器中, 相应的TAiTGH位和TAiTGL位为0 (TAiIn引脚为输入) 时有效。请将TAiIn引脚对应的端口方向寄存器设定为“0” (输入模式)。
 注2: TACS0~TACS2寄存器的TCS3位和TCS7位设置为0 (TCK0位、TCK1位有效)。关于各种设定情况下的计数源周期, 请参考表2。
 注3: 如果PCLKR寄存器中的PCLK0位为0选择f2TIMAB作为计数源, PCLK0位为1选择f1TIMAB作为计数源 (复位设定值)。

(3) 清除定时器Ai中断请求位 请参考“定时器A (PWM模式) 使用注意事项”



定时器A0中断控制寄存器 TA0IC 【地址 0055h】
 定时器A1中断控制寄存器 TA1IC 【地址 0056h】
 定时器A2中断控制寄存器 TA2IC 【地址 0057h】
 定时器A3中断控制寄存器 TA3IC 【地址 0058h】
 定时器A4中断控制寄存器 TA4IC 【地址 0059h】
 中断请求位

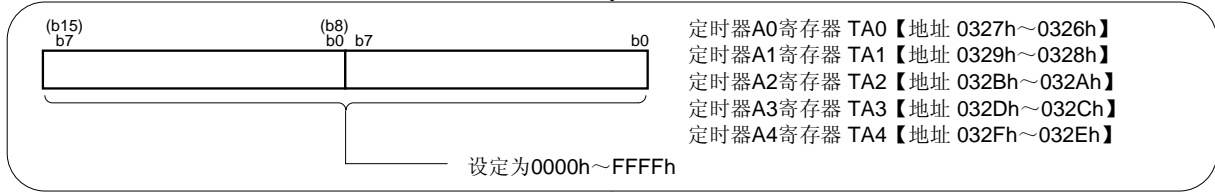
(4) 设定事件/触发选择位



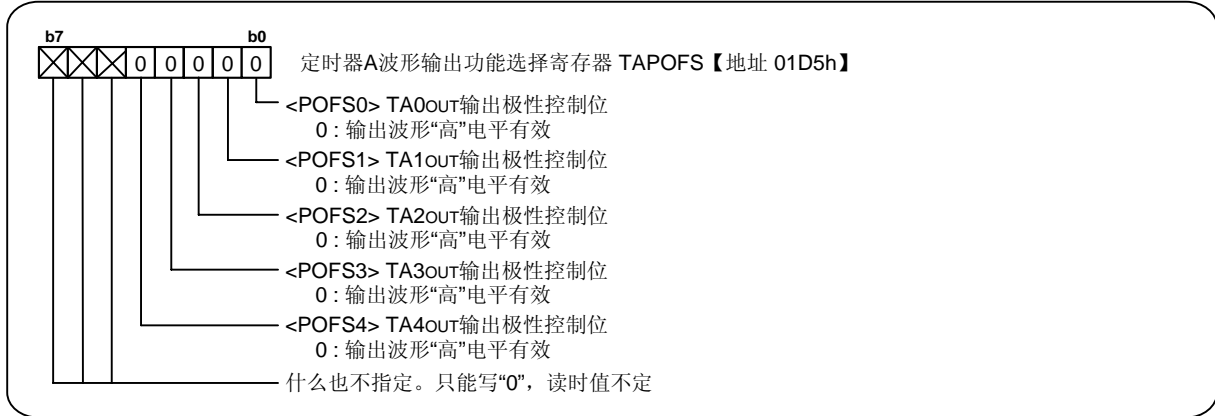
单次触发启动标志ONSF 【地址0322h】
 定时器A0 事件/触发选择位
 b7 b6
 0 0 : 选择 TA0In引脚的输入 (注1)
 触发选择寄存器TRGSR 【Address 0323h】
 定时器A1事件/触发选择位
 b1 b0
 0 0 : 选择TA1In引脚的输入(注1)
 定时器A2事件/触发选择位
 b3 b2
 0 0 : 选择TA2In引脚的输入(注1)
 定时器A3事件/触发选择位
 b5 b4
 0 0 : 选择TA3In引脚的输入(注1)
 定时器A4事件/触发选择位
 b7 b6
 0 0 : 选择TA4In引脚的输入(注1)

注1: 请将TA0In~TA4In引脚对应的端口方向寄存器设定为“0” (输入模式)。

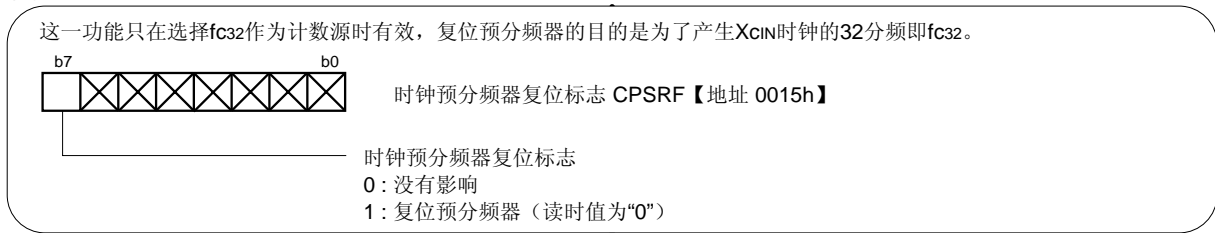
(5) 设定PWM脉冲高电平宽度



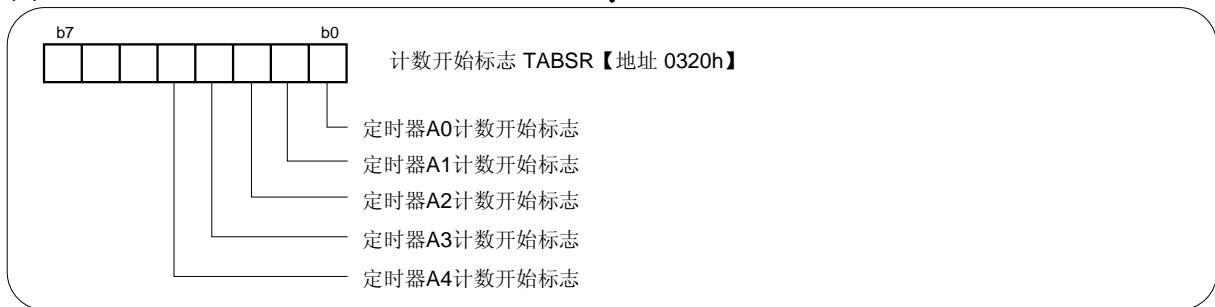
(6) 选择定时器波形输出功能



(7) 设置时钟预分频器复位标志位



(8) 设置定时器计数开始标志位



开始计数

6. 参考文献

数据手册

M16C/65 群硬件手册

（最新版本请从瑞萨科技网页上取得）

技术信息/技术更新

（最新信息请从瑞萨科技网页上取得）

公司主页和咨询窗口

瑞萨科技公司主页

<http://www.cn.renesas.com/>

咨询

<http://www.renesas.com/inquiry>

contact.china@renesas.com

修订记录

Rev.	发行日	修订内容	
		页	要点
1.00	2009.12	—	初版发行

所有商标及注册商标均归其各自拥有者所有。

Notes regarding these materials

1. This document is provided for reference purposes only so that Renesas customers may select the appropriate Renesas products for their use. Renesas neither makes warranties or representations with respect to the accuracy or completeness of the information contained in this document nor grants any license to any intellectual property rights or any other rights of Renesas or any third party with respect to the information in this document.
2. Renesas shall have no liability for damages or infringement of any intellectual property or other rights arising out of the use of any information in this document, including, but not limited to, product data, diagrams, charts, programs, algorithms, and application circuit examples.
3. You should not use the products or the technology described in this document for the purpose of military applications such as the development of weapons of mass destruction or for the purpose of any other military use. When exporting the products or technology described herein, you should follow the applicable export control laws and regulations, and procedures required by such laws and regulations.
4. All information included in this document such as product data, diagrams, charts, programs, algorithms, and application circuit examples, is current as of the date this document is issued. Such information, however, is subject to change without any prior notice. Before purchasing or using any Renesas products listed in this document, please confirm the latest product information with a Renesas sales office. Also, please pay regular and careful attention to additional and different information to be disclosed by Renesas such as that disclosed through our website. (<http://www.renesas.com>)
5. Renesas has used reasonable care in compiling the information included in this document, but Renesas assumes no liability whatsoever for any damages incurred as a result of errors or omissions in the information included in this document.
6. When using or otherwise relying on the information in this document, you should evaluate the information in light of the total system before deciding about the applicability of such information to the intended application. Renesas makes no representations, warranties or guaranties regarding the suitability of its products for any particular application and specifically disclaims any liability arising out of the application and use of the information in this document or Renesas products.
7. With the exception of products specified by Renesas as suitable for automobile applications, Renesas products are not designed, manufactured or tested for applications or otherwise in systems the failure or malfunction of which may cause a direct threat to human life or create a risk of human injury or which require especially high quality and reliability such as safety systems, or equipment or systems for transportation and traffic, healthcare, combustion control, aerospace and aeronautics, nuclear power, or undersea communication transmission. If you are considering the use of our products for such purposes, please contact a Renesas sales office beforehand. Renesas shall have no liability for damages arising out of the uses set forth above.
8. Notwithstanding the preceding paragraph, you should not use Renesas products for the purposes listed below:
 - (1) artificial life support devices or systems
 - (2) surgical implantations
 - (3) healthcare intervention (e.g., excision, administration of medication, etc.)
 - (4) any other purposes that pose a direct threat to human life

Renesas shall have no liability for damages arising out of the uses set forth in the above and purchasers who elect to use Renesas products in any of the foregoing applications shall indemnify and hold harmless Renesas Technology Corp., its affiliated companies and their officers, directors, and employees against any and all damages arising out of such applications.
9. You should use the products described herein within the range specified by Renesas, especially with respect to the maximum rating, operating supply voltage range, movement power voltage range, heat radiation characteristics, installation and other product characteristics. Renesas shall have no liability for malfunctions or damages arising out of the use of Renesas products beyond such specified ranges.
10. Although Renesas endeavors to improve the quality and reliability of its products, IC products have specific characteristics such as the occurrence of failure at a certain rate and malfunctions under certain use conditions. Please be sure to implement safety measures to guard against the possibility of physical injury, and injury or damage caused by fire in the event of the failure of a Renesas product, such as safety design for hardware and software including but not limited to redundancy, fire control and malfunction prevention, appropriate treatment for aging degradation or any other applicable measures. Among others, since the evaluation of microcomputer software alone is very difficult, please evaluate the safety of the final products or system manufactured by you.
11. In case Renesas products listed in this document are detached from the products to which the Renesas products are attached or affixed, the risk of accident such as swallowing by infants and small children is very high. You should implement safety measures so that Renesas products may not be easily detached from your products. Renesas shall have no liability for damages arising out of such detachment.
12. This document may not be reproduced or duplicated, in any form, in whole or in part, without prior written approval from Renesas.
13. Please contact a Renesas sales office if you have any questions regarding the information contained in this document, Renesas semiconductor products, or if you have any other inquiries.

注意

本文只是参考译文，前页所载英文版“Cautions”具有正式效力。

关于利用本资料时的注意事项

1. 本资料是为了让用户根据用途选择合适的本公司产品的参考资料，对于本资料中所记载的技术信息，并非意味着对本公司或者第三者的知识产权及其他权利做出保证或对实施权力进行的承诺。
2. 对于因使用本资料所记载的产品数据、图、表、程序、算法及其他应用电路例而引起的损害或者对第三者的知识产权及其他权利造成侵犯，本公司不承担任何责任。
3. 不能将本资料所记载的产品和技术用于大规模破坏性武器的开发等目的、军事目的或其他的军需用途方面。另外，在出口时必须遵守日本的《外汇及外国贸易法》及其他出口的相关法令并履行这些法令中规定的必要手续。
4. 本资料所记载的产品数据、图、表、程序、算法以及其他应用电路例等所有信息均为本资料发行时的内容，本公司有可能在未做事先通知的情况下，对本资料所记载的产品或者产品规格进行更改。所以在购买和使用本公司的半导体产品之前，请事先向本公司的营业窗口确认最新的信息并经常留意本公司通过公司主页（<http://www.renesas.com>）等公开的最新信息。
5. 对于本资料中所记载的信息，制作时我们尽力保证出版时的精确性，但不承担因本资料的叙述不当而致使顾客遭受损失等的任何相关责任。
6. 在使用本资料所记载的产品数据、图、表等所示的技术内容、程序、算法及其他应用电路例时，不仅要对所使用的技术信息进行单独评价，还要对整个系统进行充分的评价。请顾客自行负责，进行是否适用的判断。本公司对于是否适用不负任何责任。
7. 本资料中所记载的产品并非针对万一出现故障或是错误运行就会威胁到人的生命或给人体带来危害的机器、系统（如各种安全装置或者运输交通用的、医疗、燃烧控制、航天器械、核能、海底中继用的机器和系统等）而设计和制造的，特别是对于品质和可靠性要求极高的机器和系统等（将本公司指定用于汽车方面的产品用于汽车时除外）。如果要用于上述的目的，请务必事先向本公司的营业窗口咨询。另外，对于用于上述目的而造成的损失等，本公司概不负责。
8. 除上述第7项内容外，不能将本资料中记载的产品用于以下用途。如果用于以下用途而造成的损失，本公司概不负责。
 - 1) 生命维持装置。
 - 2) 植埋于人体使用的装置。
 - 3) 用于治疗（切除患部、给药等）的装置。
 - 4) 其他直接影响到人的生命的装置。
9. 在使用本资料所记载的产品时，对于最大额定值、工作电源电压的范围、放热特性、安装条件及其他条件请在本公司规定的保证范围内使用。如果超出了本公司规定的保证范围使用时，对于由此而造成的故障和出现的事故，本公司将不承担任何责任。
10. 本公司一直致力于提高产品的质量和可靠性，但一般来说，半导体产品总会以一定的概率发生故障、或者由于使用条件不同而出现错误运行等。为了避免因本公司的产品发生故障或者错误运行而导致人身事故和火灾或造成社会性的损失，希望客户能自行负责进行冗余设计、采取延烧对策及进行防止错误运行等的安全设计（包括硬件和软件两方面的设计）以及老化处理等，这是作为机器和系统的出厂保证。特别是单片机的软件，由于单独进行验证很困难，所以要求在顾客制造的最终的机器及系统上进行安全检验工作。
11. 如果把本资料所记载的产品从其载体设备上卸下，有可能造成婴儿误吞的危险。顾客在将本公司产品安装到顾客的设备上时，请顾客自行负责将本公司产品设置为不容易剥落的安全设计。如果从顾客的设备上剥落而造成事故时，本公司将不承担任何责任。
12. 在未得到本公司的事先书面认可时，不可将本资料的一部分或者全部转载或者复制。
13. 如果需要了解关于本资料的详细内容，或者有其他关心的问题，请向本公司的营业窗口咨询。

© 2009. Renesas Technology Corp., All rights reserved.