

To our customers,

Old Company Name in Catalogs and Other Documents

On April 1st, 2010, NEC Electronics Corporation merged with Renesas Technology Corporation, and Renesas Electronics Corporation took over all the business of both companies. Therefore, although the old company name remains in this document, it is a valid Renesas Electronics document. We appreciate your understanding.

Renesas Electronics website: <http://www.renesas.com>

April 1st, 2010
Renesas Electronics Corporation

Issued by: Renesas Electronics Corporation (<http://www.renesas.com>)

Send any inquiries to <http://www.renesas.com/inquiry>.

Notice

1. All information included in this document is current as of the date this document is issued. Such information, however, is subject to change without any prior notice. Before purchasing or using any Renesas Electronics products listed herein, please confirm the latest product information with a Renesas Electronics sales office. Also, please pay regular and careful attention to additional and different information to be disclosed by Renesas Electronics such as that disclosed through our website.
2. Renesas Electronics does not assume any liability for infringement of patents, copyrights, or other intellectual property rights of third parties by or arising from the use of Renesas Electronics products or technical information described in this document. No license, express, implied or otherwise, is granted hereby under any patents, copyrights or other intellectual property rights of Renesas Electronics or others.
3. You should not alter, modify, copy, or otherwise misappropriate any Renesas Electronics product, whether in whole or in part.
4. Descriptions of circuits, software and other related information in this document are provided only to illustrate the operation of semiconductor products and application examples. You are fully responsible for the incorporation of these circuits, software, and information in the design of your equipment. Renesas Electronics assumes no responsibility for any losses incurred by you or third parties arising from the use of these circuits, software, or information.
5. When exporting the products or technology described in this document, you should comply with the applicable export control laws and regulations and follow the procedures required by such laws and regulations. You should not use Renesas Electronics products or the technology described in this document for any purpose relating to military applications or use by the military, including but not limited to the development of weapons of mass destruction. Renesas Electronics products and technology may not be used for or incorporated into any products or systems whose manufacture, use, or sale is prohibited under any applicable domestic or foreign laws or regulations.
6. Renesas Electronics has used reasonable care in preparing the information included in this document, but Renesas Electronics does not warrant that such information is error free. Renesas Electronics assumes no liability whatsoever for any damages incurred by you resulting from errors in or omissions from the information included herein.
7. Renesas Electronics products are classified according to the following three quality grades: “Standard”, “High Quality”, and “Specific”. The recommended applications for each Renesas Electronics product depends on the product’s quality grade, as indicated below. You must check the quality grade of each Renesas Electronics product before using it in a particular application. You may not use any Renesas Electronics product for any application categorized as “Specific” without the prior written consent of Renesas Electronics. Further, you may not use any Renesas Electronics product for any application for which it is not intended without the prior written consent of Renesas Electronics. Renesas Electronics shall not be in any way liable for any damages or losses incurred by you or third parties arising from the use of any Renesas Electronics product for an application categorized as “Specific” or for which the product is not intended where you have failed to obtain the prior written consent of Renesas Electronics. The quality grade of each Renesas Electronics product is “Standard” unless otherwise expressly specified in a Renesas Electronics data sheets or data books, etc.
 - “Standard”: Computers; office equipment; communications equipment; test and measurement equipment; audio and visual equipment; home electronic appliances; machine tools; personal electronic equipment; and industrial robots.
 - “High Quality”: Transportation equipment (automobiles, trains, ships, etc.); traffic control systems; anti-disaster systems; anti-crime systems; safety equipment; and medical equipment not specifically designed for life support.
 - “Specific”: Aircraft; aerospace equipment; submersible repeaters; nuclear reactor control systems; medical equipment or systems for life support (e.g. artificial life support devices or systems), surgical implantations, or healthcare intervention (e.g. excision, etc.), and any other applications or purposes that pose a direct threat to human life.
8. You should use the Renesas Electronics products described in this document within the range specified by Renesas Electronics, especially with respect to the maximum rating, operating supply voltage range, movement power voltage range, heat radiation characteristics, installation and other product characteristics. Renesas Electronics shall have no liability for malfunctions or damages arising out of the use of Renesas Electronics products beyond such specified ranges.
9. Although Renesas Electronics endeavors to improve the quality and reliability of its products, semiconductor products have specific characteristics such as the occurrence of failure at a certain rate and malfunctions under certain use conditions. Further, Renesas Electronics products are not subject to radiation resistance design. Please be sure to implement safety measures to guard them against the possibility of physical injury, and injury or damage caused by fire in the event of the failure of a Renesas Electronics product, such as safety design for hardware and software including but not limited to redundancy, fire control and malfunction prevention, appropriate treatment for aging degradation or any other appropriate measures. Because the evaluation of microcomputer software alone is very difficult, please evaluate the safety of the final products or system manufactured by you.
10. Please contact a Renesas Electronics sales office for details as to environmental matters such as the environmental compatibility of each Renesas Electronics product. Please use Renesas Electronics products in compliance with all applicable laws and regulations that regulate the inclusion or use of controlled substances, including without limitation, the EU RoHS Directive. Renesas Electronics assumes no liability for damages or losses occurring as a result of your noncompliance with applicable laws and regulations.
11. This document may not be reproduced or duplicated, in any form, in whole or in part, without prior written consent of Renesas Electronics.
12. Please contact a Renesas Electronics sales office if you have any questions regarding the information contained in this document or Renesas Electronics products, or if you have any other inquiries.

(Note 1) “Renesas Electronics” as used in this document means Renesas Electronics Corporation and also includes its majority-owned subsidiaries.

(Note 2) “Renesas Electronics product(s)” means any product developed or manufactured by or for Renesas Electronics.

M16C/65 Group

Operation of Timer A (one-shot timer mode)

1. Abstract

In one-shot timer mode, choose functions from those listed in Table 1. Operations of the circled items are described below.

2. Introduction

This application note is applied to the M16C/65 group Microcomputers.

This application note can be used with other M16C Family MCUs which have the same special function registers (SFRs) as the above group. Check the manual for any modifications to functions. Careful evaluation is recommended before using the program described in this application note.

3. Chosen functions

Table 1. Chosen functions

Item	Set-up	
Count source	<input type="radio"/>	Internal count source (f1TIMAB/f2TIMAB/f8TIMAB/f32TIMAB/f64TIMAB/foco-F/foco-s/fc32)
Pulse output function	<input type="checkbox"/>	No pulse output
	<input type="radio"/>	Pulses output
Count start condition	<input type="checkbox"/>	External trigger input (falling edge of input signal to the TAIIN pin)
	<input type="checkbox"/>	External trigger input (rising edge of input signal to the TAIIN pin)
	<input type="checkbox"/>	Timer overflow (TB2/TAj/TAk overflow)
	<input type="radio"/>	Writing "1" to the one-shot start flag
Output polar control	<input type="radio"/>	Output waveform "H" active
	<input type="checkbox"/>	Output waveform "L" active (output reversed)

Note: $j = i - 1$, but $j = 4$ when $i = 0$; $k = i + 1$, but $k = 0$ when $i = 4$.

4. Operation

- (1) Setting the one-shot start flag to "1" with the count start flag set to "1" causes the counter to perform a down count on the count source. At this time, the TAIOUT pin outputs an "H" level.
- (2) The instant the value of the counter becomes "0000h", the TAIOUT pin outputs an "L" level, and the counter reloads the content of the reload register and stops counting. At this time, the timer Ai interrupt request bit goes to "1".
- (3) If a trigger occurs while a count is in progress, the counter reloads the value in the reload register again and continues counting. The reload timing is in step with the next count source input after the trigger.
- (4) Setting the count start flag to "0" causes the counter to stop and to reload the content of the reload register. Also, the TAIOUT pin outputs an "L" level. At this time, the timer Ai interrupt request bit goes to "1".

Note: When the timer Ai register is set to "0000h", the counter does not operate and the timer Ai interrupt request is not generated. When the pulse is set to output, the pulse does not output from the TAIOUT pin.

Figure 1 shows the operation timing.

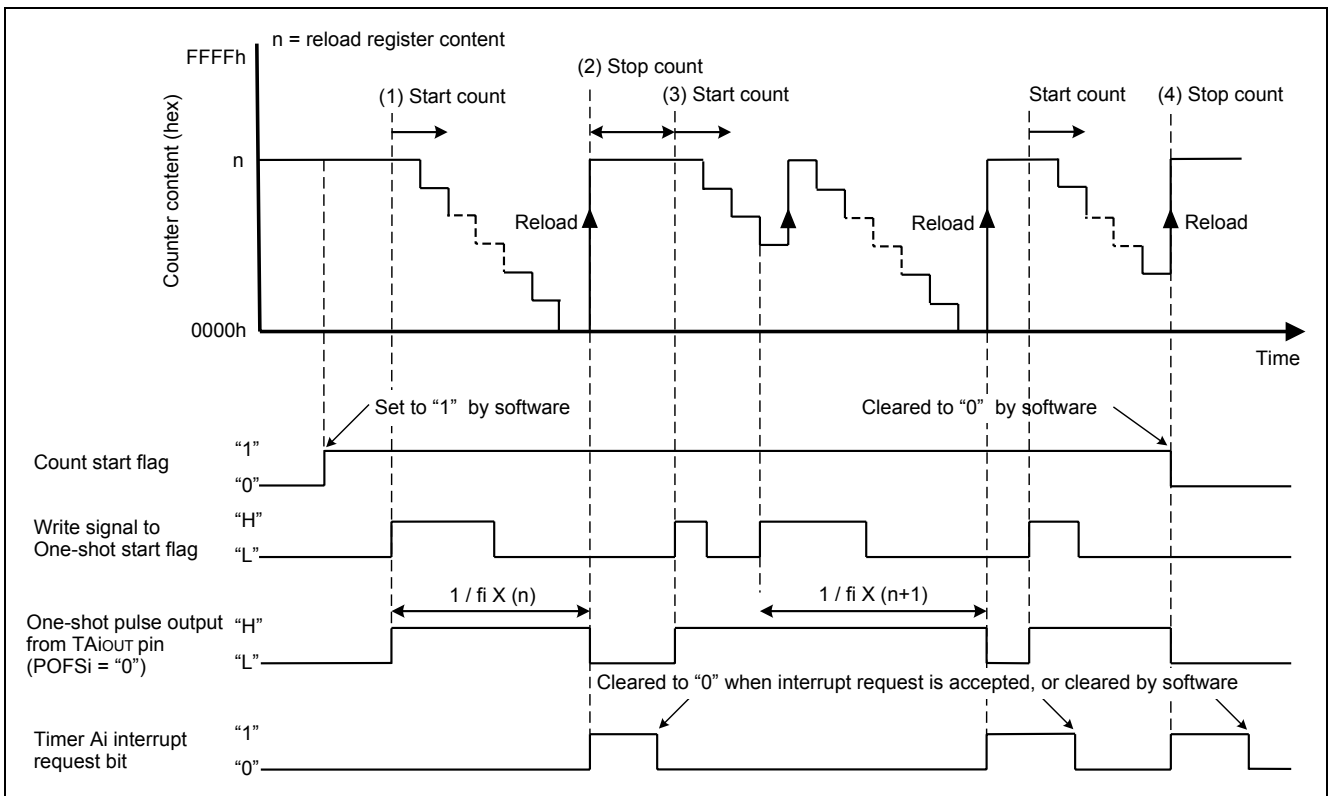


Figure 1. Operation timing of one-shot

5. Set-up procedure

Table 2 shows Timer A count source, Figure 2 shows block diagram of Timer A count source in timer mode.

Table 2. Count Source Selection of Timer A

TCDIV00 register (Note 1)	TACSj register (Note 2)				TAiMR register		Count source	Count source period
	TCS3/ TCS7	TCS2/ TCS6	TCS1/ TCS5	TCS0/ TCS4	TCK1	TCK0		
								f(X_{IN}):20MHz f(X_{CIN}):32.768kHz f(oco-F):about 20MHz f(oco-s):about 125kHz
0	0	-	-	-	0	0	f1TIMAB/ f2TIMAB (Note 3)	50ns/100ns
0	0	-	-	-	0	1	f8TIMAB	400ns
0	0	-	-	-	1	0	f32TIMAB	1600ns
0	0	-	-	-	1	1	fc32	976.56μs
0	1	0	0	0	-	-	f1TIMAB/ f2TIMAB (Note 3)	50ns/100ns
0	1	0	0	1	-	-	f8TIMAB	400ns
0	1	0	1	0	-	-	f32TIMAB	1600ns
0	1	0	1	1	-	-	f64TIMAB	3200ns
0	1	1	0	0	-	-	foco-F	about 50ns
0	1	1	0	1	-	-	foco-s	about 8μs
0	1	1	1	0	-	-	fc32	976.56μs
1	1	0	0	0	-	-	f1TIMAB/ f2TIMAB (Note 3)	about 50ns/100ns
1	1	0	0	1	-	-	f8TIMAB	about 400ns
1	1	0	1	0	-	-	f32TIMAB	about 1600ns
1	1	0	1	1	-	-	f64TIMAB	about 3200ns

Note 1: TCDIV00 bit is clock select prior to timer AB division bit. Set the TCDIV00 bit before setting other registers associated with timer A. After changing the TCDIV00 bit, set other registers associated with timer A again.

Note 2: TCS3~TCS0 bits of TACS0 register correspond to Timer A0 count source selection, TCS7~TCS4 bits of TACS0 register correspond to Timer A1 count source selection, TCS3~TCS0 bits of TACS1 register correspond to Timer A2 count source selection, TCS7~TCS4 bits of TACS1 register correspond to Timer A3 count source selection, and TCS3~TCS0 bits of TACS2 register correspond to Timer A4 count source selection.

Note 3: When the PCLK0 bit in the PCLKR register is "1", the selected clock source is f1TIMAB. When the PCLK0 bit is "0", the selected clock source is f2TIMAB.

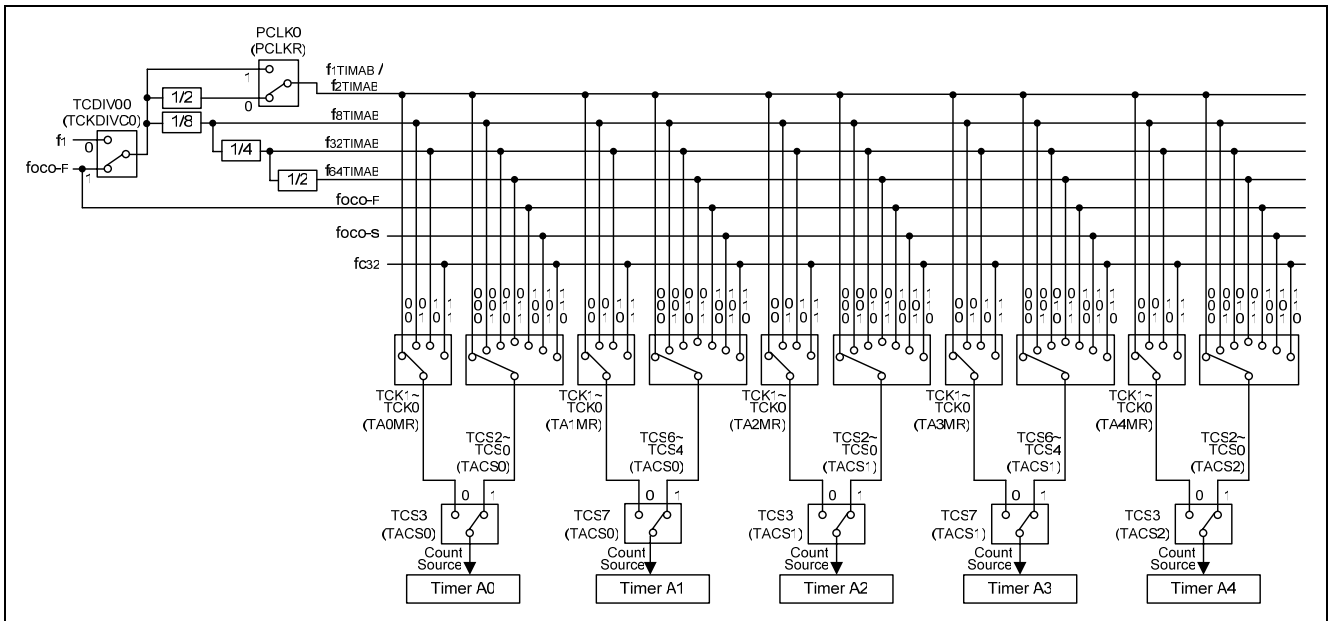
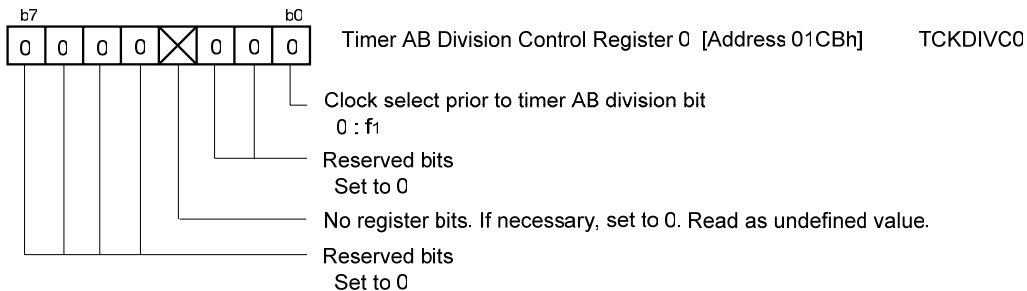


Figure 2. Count source of Timer A

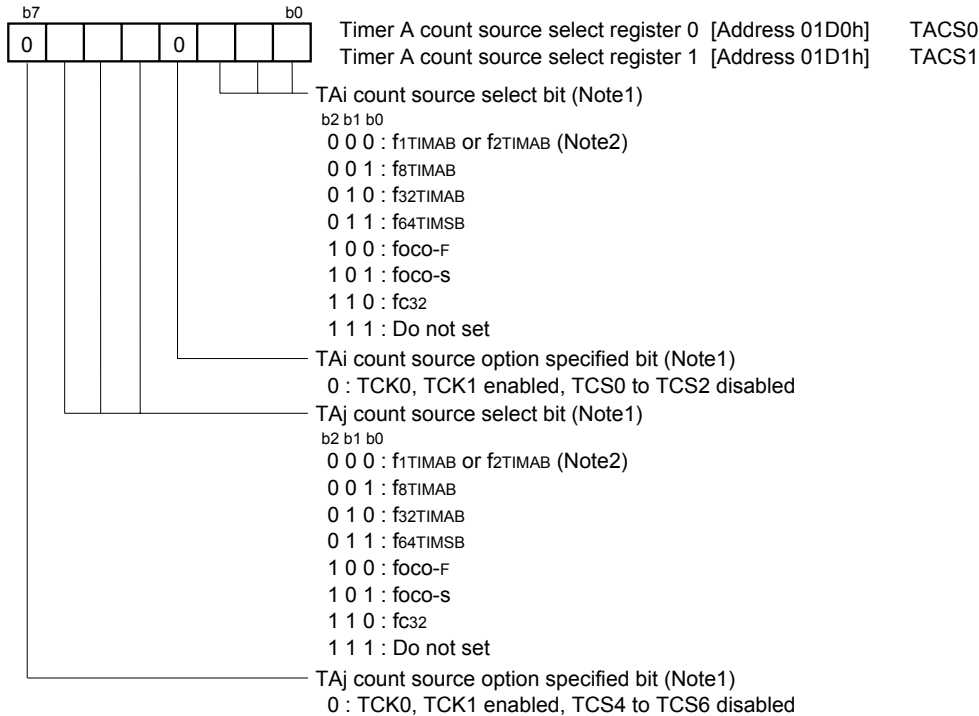
Selecting a clock used prior to timer AB frequency dividing

(Set the TCDIV00 bit before setting other registers associated with timer A. After changing the TCDIV00 bit, set other registers associated with timer A again.)



Selecting timer count source

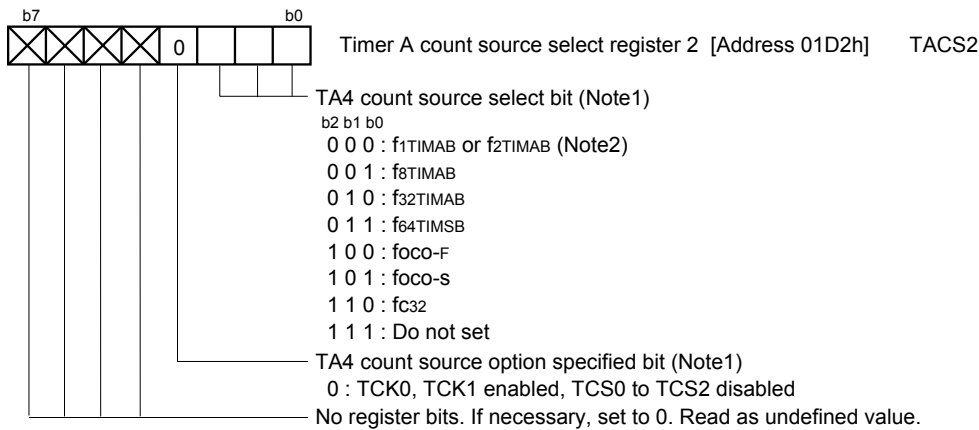
TACS0 register can select Timer A0 and Timer A1 count source, TACS1 can select Timer A2 and Timer A3 count source, and TACS2 can select Timer A4 count source.



TACS0 register: i = 0, j = 1, TACS1 register: i = 2, j = 3

Note 1: About the count source period, please refer to Table 2.

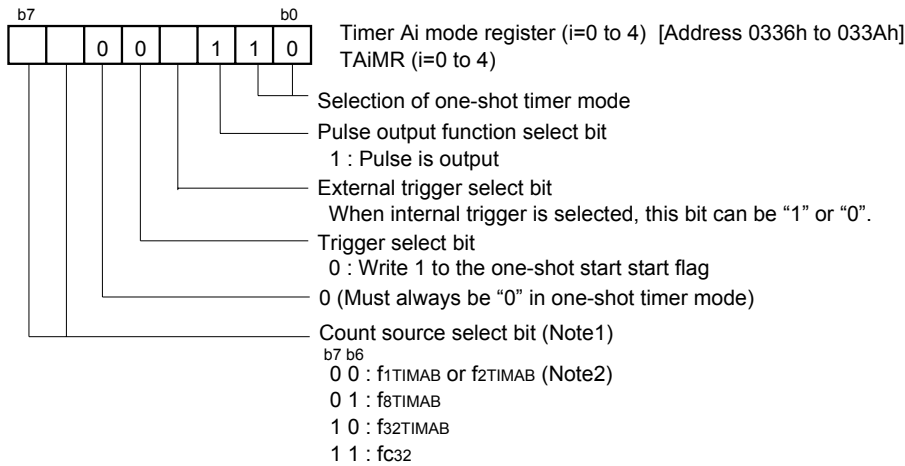
Note 2: When the PCLK0 bit in the PCLKR register is "1", the selected clock source is f1_{TIMAB}. When the PCLK0 bit is "0", the selected clock source is f2_{TIMAB}.



Note 1: About the count source period, please refer to Table 2.

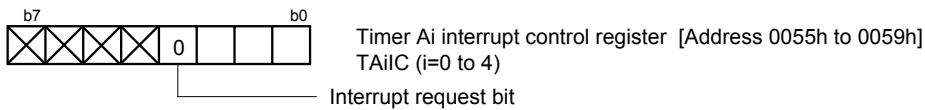
Note 2: When the PCLK0 bit in the PCLKR register is "1", the selected clock source is f1_{TIMAB}. When the PCLK0 bit is "0", the selected clock source is f2_{TIMAB}.

▪
▪
Selecting one-shot timer mode and functions

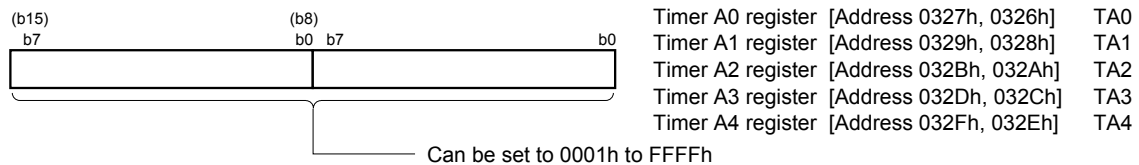


Note 1: Valid when the TCS3 bit or TCS7 bit in registers TACS0 to TACS2 is set to 0 (TCK0, TCK1 enabled). About the count source period, please refer to Table 2.
Note 2: When the PCLK0 bit in the PCLKR register is "1", the selected clock source is f1TIMAB. When the PCLK0 bit is "0", the selected clock source is f2TIMAB.

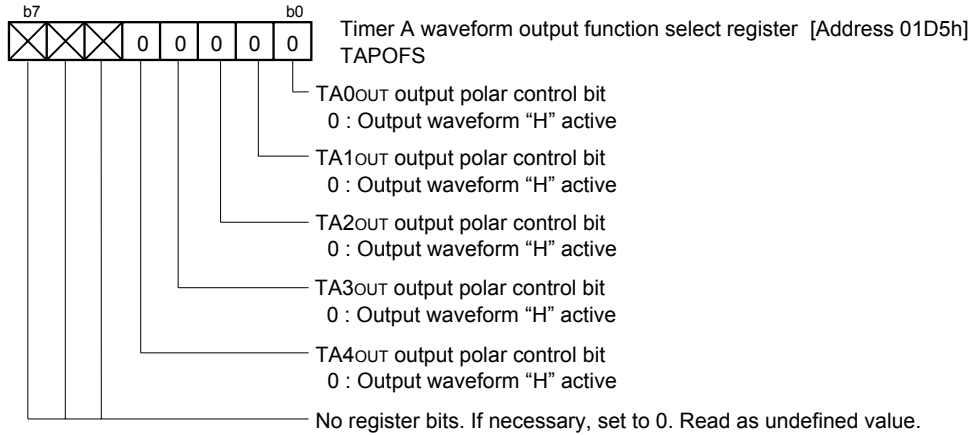
▪
▪
Clearing timer Ai interrupt request bit Refer to 'Precaution for Timer A (one shot timer mode)'



▪
▪
Setting one-shot timer's time

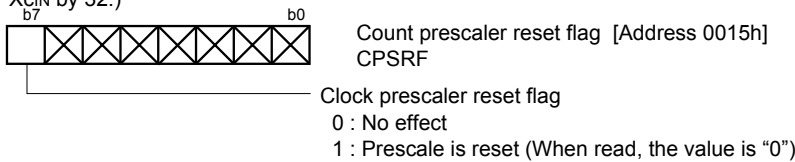


Selecting waveform output function

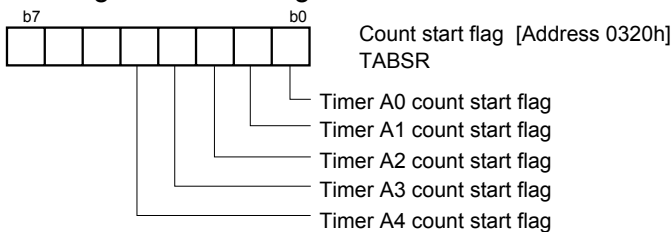


Setting clock prescaler reset flag

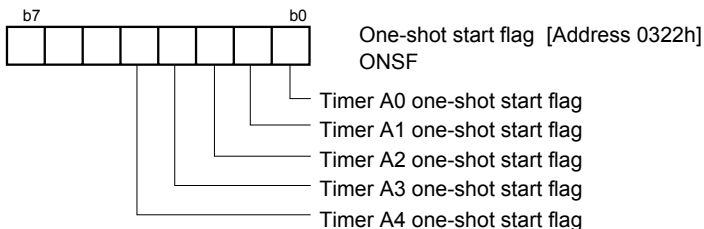
(This function is effective when fc32 is selected as the count source. Reset the prescaler for generating fc32 by dividing the X_{CIN} by 32.)



Setting count start flag



Setting one-shot start flag



Start count

6. Reference

Hardware manual

M16C/65 Group Hardware Manual

(Use the most recent version of the document on the Renesas Technology Web site.)

Technical news/Technical update

(Use the most recent version of the document on the Renesas Technology Web site.)

Web-site and contact for support

Renesas Technology Web site

<http://www.renesas.com/>

Inquiries

<http://www.renesas.com/inquiry>

csc@renesas.com

Revision

Rev.	Issue date	Revised	
		Page	Point
1.00	2009.10	-	First edition issued

All trademarks and registered trademarks are the property of their respective owners.

Notes regarding these materials

1. This document is provided for reference purposes only so that Renesas customers may select the appropriate Renesas products for their use. Renesas neither makes warranties or representations with respect to the accuracy or completeness of the information contained in this document nor grants any license to any intellectual property rights or any other rights of Renesas or any third party with respect to the information in this document.
2. Renesas shall have no liability for damages or infringement of any intellectual property or other rights arising out of the use of any information in this document, including, but not limited to, product data, diagrams, charts, programs, algorithms, and application circuit examples.
3. You should not use the products or the technology described in this document for the purpose of military applications such as the development of weapons of mass destruction or for the purpose of any other military use. When exporting the products or technology described herein, you should follow the applicable export control laws and regulations, and procedures required by such laws and regulations.
4. All information included in this document such as product data, diagrams, charts, programs, algorithms, and application circuit examples, is current as of the date this document is issued. Such information, however, is subject to change without any prior notice. Before purchasing or using any Renesas products listed in this document, please confirm the latest product information with a Renesas sales office. Also, please pay regular and careful attention to additional and different information to be disclosed by Renesas such as that disclosed through our website. (<http://www.renesas.com>)
5. Renesas has used reasonable care in compiling the information included in this document, but Renesas assumes no liability whatsoever for any damages incurred as a result of errors or omissions in the information included in this document.
6. When using or otherwise relying on the information in this document, you should evaluate the information in light of the total system before deciding about the applicability of such information to the intended application. Renesas makes no representations, warranties or guaranties regarding the suitability of its products for any particular application and specifically disclaims any liability arising out of the application and use of the information in this document or Renesas products.
7. With the exception of products specified by Renesas as suitable for automobile applications, Renesas products are not designed, manufactured or tested for applications or otherwise in systems the failure or malfunction of which may cause a direct threat to human life or create a risk of human injury or which require especially high quality and reliability such as safety systems, or equipment or systems for transportation and traffic, healthcare, combustion control, aerospace and aeronautics, nuclear power, or undersea communication transmission. If you are considering the use of our products for such purposes, please contact a Renesas sales office beforehand. Renesas shall have no liability for damages arising out of the uses set forth above.
8. Notwithstanding the preceding paragraph, you should not use Renesas products for the purposes listed below:
 - (1) artificial life support devices or systems
 - (2) surgical implantations
 - (3) healthcare intervention (e.g., excision, administration of medication, etc.)
 - (4) any other purposes that pose a direct threat to human life

Renesas shall have no liability for damages arising out of the uses set forth in the above and purchasers who elect to use Renesas products in any of the foregoing applications shall indemnify and hold harmless Renesas Technology Corp., its affiliated companies and their officers, directors, and employees against any and all damages arising out of such applications.
9. You should use the products described herein within the range specified by Renesas, especially with respect to the maximum rating, operating supply voltage range, movement power voltage range, heat radiation characteristics, installation and other product characteristics. Renesas shall have no liability for malfunctions or damages arising out of the use of Renesas products beyond such specified ranges.
10. Although Renesas endeavors to improve the quality and reliability of its products, IC products have specific characteristics such as the occurrence of failure at a certain rate and malfunctions under certain use conditions. Please be sure to implement safety measures to guard against the possibility of physical injury, and injury or damage caused by fire in the event of the failure of a Renesas product, such as safety design for hardware and software including but not limited to redundancy, fire control and malfunction prevention, appropriate treatment for aging degradation or any other applicable measures. Among others, since the evaluation of microcomputer software alone is very difficult, please evaluate the safety of the final products or system manufactured by you.
11. In case Renesas products listed in this document are detached from the products to which the Renesas products are attached or affixed, the risk of accident such as swallowing by infants and small children is very high. You should implement safety measures so that Renesas products may not be easily detached from your products. Renesas shall have no liability for damages arising out of such detachment.
12. This document may not be reproduced or duplicated, in any form, in whole or in part, without prior written approval from Renesas.
13. Please contact a Renesas sales office if you have any questions regarding the information contained in this document, Renesas semiconductor products, or if you have any other inquiries.