

To our customers,

Old Company Name in Catalogs and Other Documents

On April 1st, 2010, NEC Electronics Corporation merged with Renesas Technology Corporation, and Renesas Electronics Corporation took over all the business of both companies. Therefore, although the old company name remains in this document, it is a valid Renesas Electronics document. We appreciate your understanding.

Renesas Electronics website: <http://www.renesas.com>

April 1st, 2010
Renesas Electronics Corporation

Issued by: Renesas Electronics Corporation (<http://www.renesas.com>)

Send any inquiries to <http://www.renesas.com/inquiry>.

Notice

1. All information included in this document is current as of the date this document is issued. Such information, however, is subject to change without any prior notice. Before purchasing or using any Renesas Electronics products listed herein, please confirm the latest product information with a Renesas Electronics sales office. Also, please pay regular and careful attention to additional and different information to be disclosed by Renesas Electronics such as that disclosed through our website.
2. Renesas Electronics does not assume any liability for infringement of patents, copyrights, or other intellectual property rights of third parties by or arising from the use of Renesas Electronics products or technical information described in this document. No license, express, implied or otherwise, is granted hereby under any patents, copyrights or other intellectual property rights of Renesas Electronics or others.
3. You should not alter, modify, copy, or otherwise misappropriate any Renesas Electronics product, whether in whole or in part.
4. Descriptions of circuits, software and other related information in this document are provided only to illustrate the operation of semiconductor products and application examples. You are fully responsible for the incorporation of these circuits, software, and information in the design of your equipment. Renesas Electronics assumes no responsibility for any losses incurred by you or third parties arising from the use of these circuits, software, or information.
5. When exporting the products or technology described in this document, you should comply with the applicable export control laws and regulations and follow the procedures required by such laws and regulations. You should not use Renesas Electronics products or the technology described in this document for any purpose relating to military applications or use by the military, including but not limited to the development of weapons of mass destruction. Renesas Electronics products and technology may not be used for or incorporated into any products or systems whose manufacture, use, or sale is prohibited under any applicable domestic or foreign laws or regulations.
6. Renesas Electronics has used reasonable care in preparing the information included in this document, but Renesas Electronics does not warrant that such information is error free. Renesas Electronics assumes no liability whatsoever for any damages incurred by you resulting from errors in or omissions from the information included herein.
7. Renesas Electronics products are classified according to the following three quality grades: “Standard”, “High Quality”, and “Specific”. The recommended applications for each Renesas Electronics product depends on the product’s quality grade, as indicated below. You must check the quality grade of each Renesas Electronics product before using it in a particular application. You may not use any Renesas Electronics product for any application categorized as “Specific” without the prior written consent of Renesas Electronics. Further, you may not use any Renesas Electronics product for any application for which it is not intended without the prior written consent of Renesas Electronics. Renesas Electronics shall not be in any way liable for any damages or losses incurred by you or third parties arising from the use of any Renesas Electronics product for an application categorized as “Specific” or for which the product is not intended where you have failed to obtain the prior written consent of Renesas Electronics. The quality grade of each Renesas Electronics product is “Standard” unless otherwise expressly specified in a Renesas Electronics data sheets or data books, etc.
 - “Standard”: Computers; office equipment; communications equipment; test and measurement equipment; audio and visual equipment; home electronic appliances; machine tools; personal electronic equipment; and industrial robots.
 - “High Quality”: Transportation equipment (automobiles, trains, ships, etc.); traffic control systems; anti-disaster systems; anti-crime systems; safety equipment; and medical equipment not specifically designed for life support.
 - “Specific”: Aircraft; aerospace equipment; submersible repeaters; nuclear reactor control systems; medical equipment or systems for life support (e.g. artificial life support devices or systems), surgical implantations, or healthcare intervention (e.g. excision, etc.), and any other applications or purposes that pose a direct threat to human life.
8. You should use the Renesas Electronics products described in this document within the range specified by Renesas Electronics, especially with respect to the maximum rating, operating supply voltage range, movement power voltage range, heat radiation characteristics, installation and other product characteristics. Renesas Electronics shall have no liability for malfunctions or damages arising out of the use of Renesas Electronics products beyond such specified ranges.
9. Although Renesas Electronics endeavors to improve the quality and reliability of its products, semiconductor products have specific characteristics such as the occurrence of failure at a certain rate and malfunctions under certain use conditions. Further, Renesas Electronics products are not subject to radiation resistance design. Please be sure to implement safety measures to guard them against the possibility of physical injury, and injury or damage caused by fire in the event of the failure of a Renesas Electronics product, such as safety design for hardware and software including but not limited to redundancy, fire control and malfunction prevention, appropriate treatment for aging degradation or any other appropriate measures. Because the evaluation of microcomputer software alone is very difficult, please evaluate the safety of the final products or system manufactured by you.
10. Please contact a Renesas Electronics sales office for details as to environmental matters such as the environmental compatibility of each Renesas Electronics product. Please use Renesas Electronics products in compliance with all applicable laws and regulations that regulate the inclusion or use of controlled substances, including without limitation, the EU RoHS Directive. Renesas Electronics assumes no liability for damages or losses occurring as a result of your noncompliance with applicable laws and regulations.
11. This document may not be reproduced or duplicated, in any form, in whole or in part, without prior written consent of Renesas Electronics.
12. Please contact a Renesas Electronics sales office if you have any questions regarding the information contained in this document or Renesas Electronics products, or if you have any other inquiries.

(Note 1) “Renesas Electronics” as used in this document means Renesas Electronics Corporation and also includes its majority-owned subsidiaries.

(Note 2) “Renesas Electronics product(s)” means any product developed or manufactured by or for Renesas Electronics.

OCMOS FET

CONTENTS

1. INTRODUCTION..... 2

2. FEATURES, STRUCTURES, COMPOSITION AND THEORY OF OPERATION 3

2.1 FEATURES..... 3

2.2 STRUCTURES..... 3

2.3 COMPOSITION..... 6

2.4 THEORY OF OPERATION 6

3. MAINLY CHARACTERISTICS 7

3.1 OFFSET VOLTAGE 7

3.2 TEMPERATURE CHARACTERISTICS 8

4. CHARACTERISTICS VALUES AND MEASURING CHARACTERISTIC VALUES..... 15

4.1 CHARACTERISTICS VALUES 15

4.2 MEASURING CHARACTERISTIC VALUES 16

5. APPLICATIONS..... 19

5.1 COMMUNICATION LINES..... 19

5.2 INPUT/OUTPUT INTERFACE 22

5.3 LOW-LEVEL/ANALOG SIGNAL CONTROL 24

6. COMPARISON WITH OTHER SWITCHING DEVICES..... 25

7. CAUTIONS FOR USE..... 26

8. CONCLUSION 29

The information in this document is subject to change without notice.

1. INTRODUCTION

The SSR that NEC has started marketing uses a photocoupler system with a MOS FET, explained in the following, as an output switch and a combination of an Emitter and Photo Detector to drive the switch.

NEC's SSR is named a "OCMOS FET (Opto-Coupled MOS FET)" as the input and output are isolated with a photocoupler and the MOS FET switch is used as an output switch.

The OCMOS FET using a photo Detector to drive the MOS FET is a new type of SSR developed recently and being commercialized.

An OCMOS FET operates this way: A control signal applied to the OCMOS FET input terminals triggers the output switch of the OCMOS FET, which, in turn, opens or closes the output terminals.

A normally-off type (which is functionally the same as a "make contact" mechanical relay) leaves the output terminals open, if there is no input signal, and short-circuits the output terminals if an input signal above the threshold level is applied. Conversely, a normally-on type (which is functionally the same as a "break contact" mechanical relay) keeps the output terminals short-circuited, if there is no input signal, and opens the output terminals by an input signal.

2. FEATURES, STRUCTURES, COMPOSITION AND THEORY OF OPERATION

2.1 FEATURES

The general features of OCMOS FET as follows:

- 1) High sensitivity and low driving power. Can be driven directly by a TTL or CMOS.
- 2) Can switch low to high-voltage level signals or an AC/DC load current at a low power level.
- 3) Extremely low offset voltage (in the on-state) and very small leakage current (in the off-state). Applicable even to low-level signals.
- 4) dv/dt insensitive, No possibility of malfunction caused by noise signals due to abrupt startup. No thermal runaway, as seen bipolar elements.
- 5) Use of bidirectional MOS FET support DC and AC switching.
- 6) A compact DIP/SOP package which can be mounted like other electronic components.

2.2 STRUCTURES

Compared with a mechanical relay, the input and output control sections, made up of the LED and PVD in the OCMOS FET, correspond to the coil in the mechanical relay. They isolate the input from output and generate an output control signal on receipt of an input signal.

The MOS FET in the OCMOS FET corresponds to the contact in the mechanical relay, opening and closing the load circuit.

Figure 1 shows the OCMOS FET structure. Figure 2 shows the sectional view. The semiconductor chip, a subcomponent of the OCMOS FET is mounted at a required position on the metal support, called a lead frame, also serving as a terminal, using conducting paste. (The procedure is called chip mounting.)

Next, the chip electrodes are connected to a fine gold wire to the lead, which becomes a terminal. (The procedure is called wire bonding.) Then as regards face-to-face type, the LED and PVD are covered with transparent silicone rubber to form an optical path. This is put into a furnace for hardening and then molded with epoxy resin.

There is more than one kind of structure that links LED and PVD (called a photocoupler structure). Table 1 shows an example of the structure type and Table 2 compares the different structures. (NEC's OCMOS FET series are face-to-face type and double mold type.)

Figure 1. OCMOS FET STRUCTURE

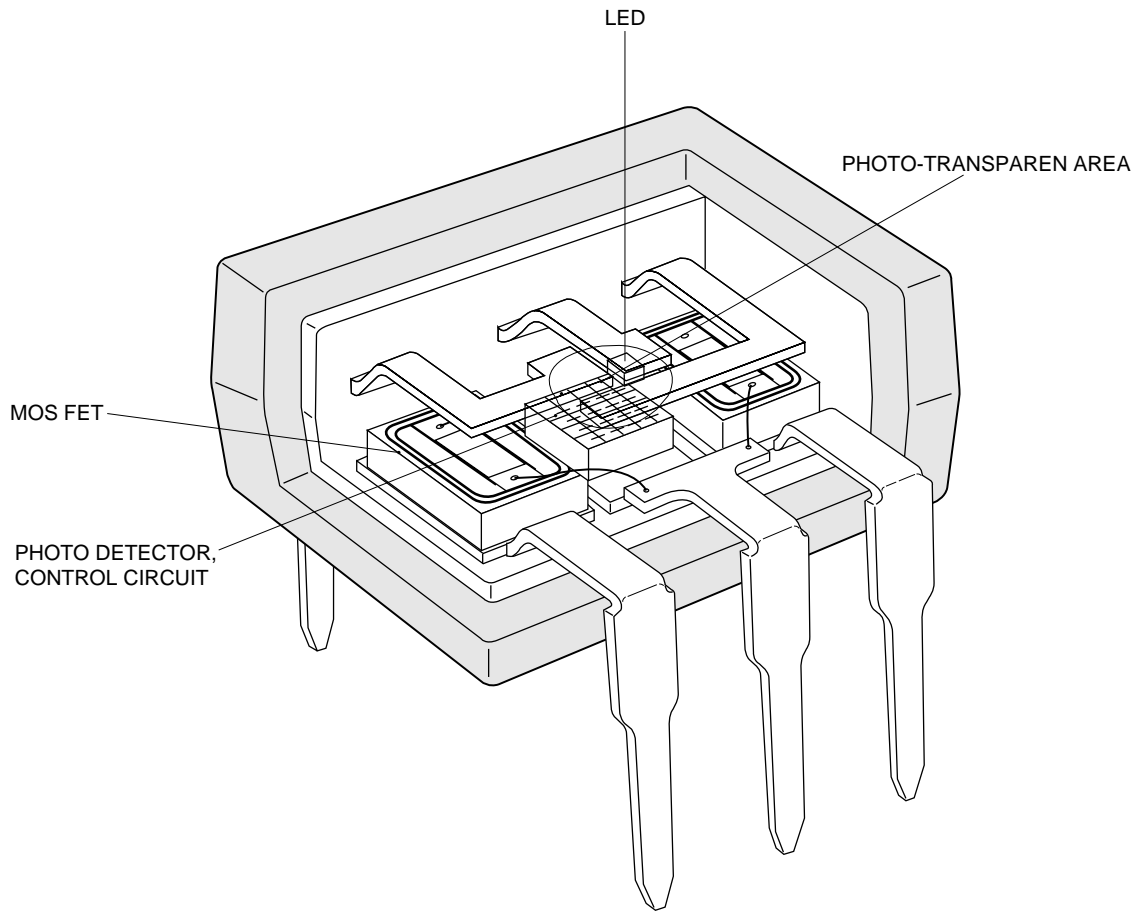
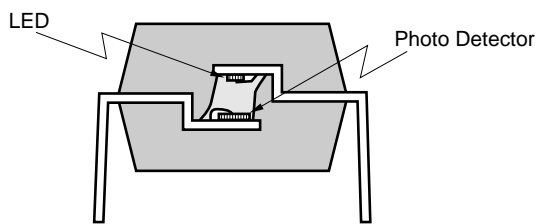


Figure 2. SECTIONAL VIEW

- Face-to-face type
PS71 ××, PS72 ××, PS75 ××



- Double mold type
PS73 ××

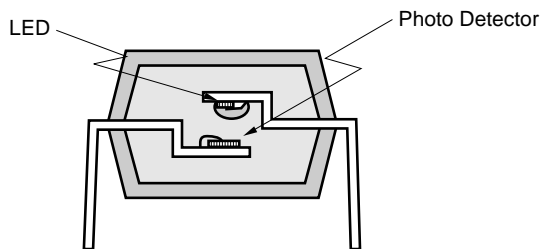


Table 1. Photocoupler Structure

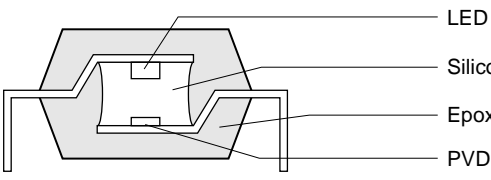
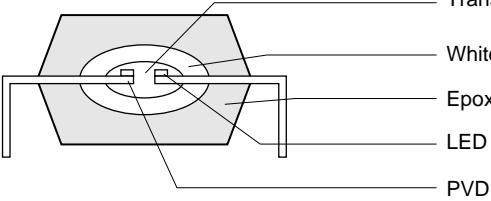
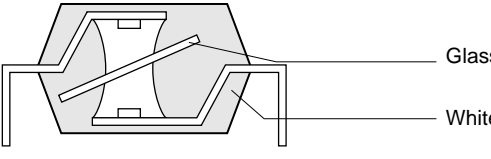
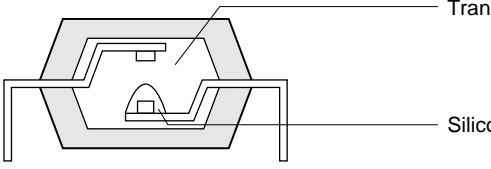
No.	Structure type	Structure
1	Face-to-face format	 <p>LED Silicon resin Epoxy resin PVD</p>
2	Coplanar format	 <p>Transparent silicon resin White silicon resin Epoxy resin LED PVD</p>
3	Insulated format	 <p>Glass or polyimide film White epoxy resin</p>
4	Double mold format	 <p>Transparent epoxy resin Silicon resin</p>

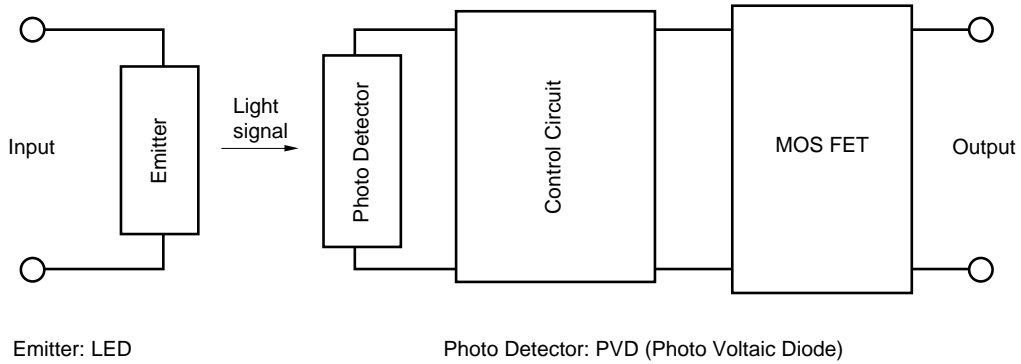
Table 2. Photocoupler Structure (Internal view)

Structure type	Optical Transmission		Insulation	Moisture Resistance	Productivity
	Efficiency	Stability			
Face-to-face format	Good	Fair	Fair	Fair	Fair
Coplanar format	Fair	Good	Good	Fair	Excellent
Insulated format	Excellent	Fair	Good	Fair	Poor
Double mold format	Fair	Good	Excellent	Good	Fair

2.3 COMPOSITION

As shown in Figure 3, the NEC OCMOS FET consists of an Emitter, Photo Detector, Control Circuit, and the MOS FET.

Figure 3. OCMOS FET COMPOSITION



2.4 THEORY OF OPERATION

Normally-off type. Theory of operation as follows.

When an input signal current flows across the input terminals, the LED emits light. Some of the light is shot directly into the PVD via the transparent silicon layer, while the rest of the light reaches the PVD after being reflected from the transparent silicon boundary surface. On receiving the light, the PVD generates a current corresponding to the amount of incident radiation received.

The current passes through the control section to charge the MOS FET gate capacity, raising the gate voltage. When the gate voltage reaches a certain voltage value, current flows between the MOS FET drain and source. Since the drain and source are connected to the output terminals, the external load circuit across the output terminals is closed.

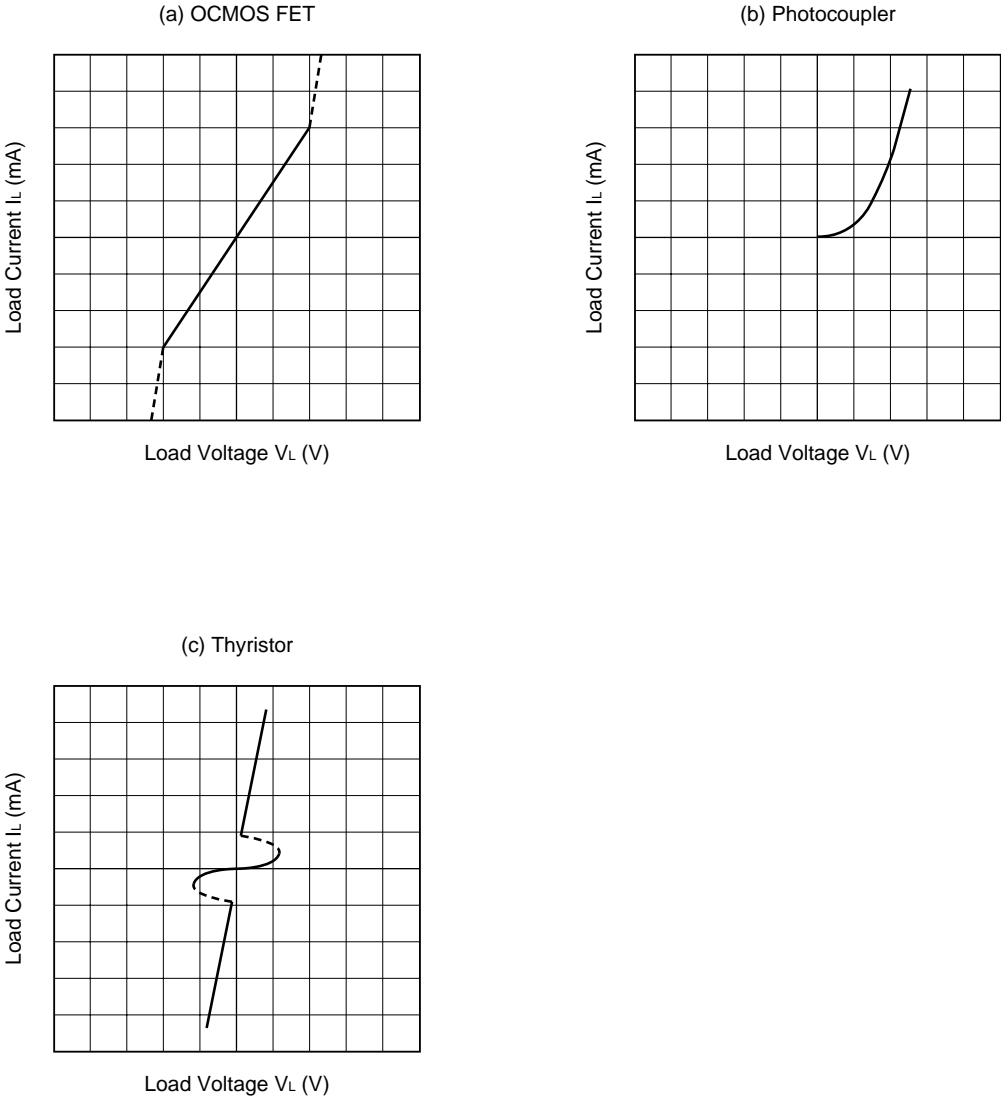
When the input signal current is disconnected, the LED stops emission and the PVD voltage drops. In this condition, the charges stored in the MOS FET gate are not released quickly, instead the FET remains conductive. If the control circuit is operated to cause the MOS FET gate charges to be released quickly, the MOS FET gate voltage will be dropped. If the voltage drops to a certain level, the MOS FET drain and source will be isolated again.

3. MAINLY CHARACTERISTICS

3.1 OFFSET VOLTAGE

Figure 4 shows LOAD CURRENT (I_L)-LOAD VOLTAGE (V_L) characteristic for the MOS FET. When V_L is low, the current changes, as in a DC in a DC resistor. That is, there is no offset voltage.

Figure 4. Comparing OCMOS FET with a Photocoupler and Thyristor



3.2 TEMPERATURE CHARACTERISTICS

3.2.1 TURN-ON TIME CHARACTERISTICS

Figure 5 shows the NORMALIZED TURN-ON TIME vs. AMBIENT TEMPERATURE and the TURN-ON TIME DISTRIBUTION of a normally-off type OCMOS FET. (Such as the PS7112, PS7113, PS7122, PS7141, PS7142 and PS7160 OCMOS FET.)

3.2.2 TURN-OFF TIME CHARACTERISTICS

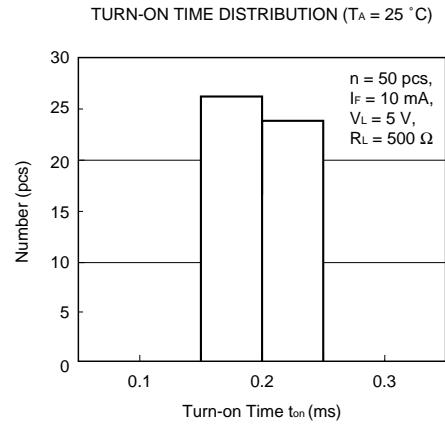
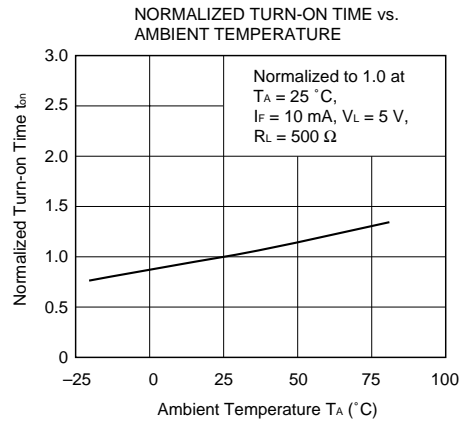
Figure 6 shows the NORMALIZED TURN-OFF TIME vs. AMBIENT TEMPERATURE and the TURN-OFF TIME DISTRIBUTION of a normally-off type OCMOS FET. (Such as the PS7112, PS7113, PS7122, PS7141, PS7142 and PS7160 OCMOS FET.)

3.2.3 ON-STATE RESISTANCE CHARACTERISTICS

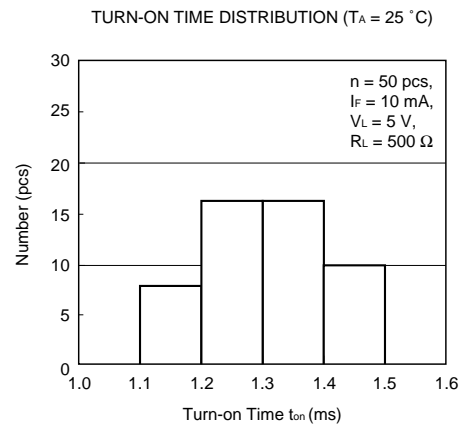
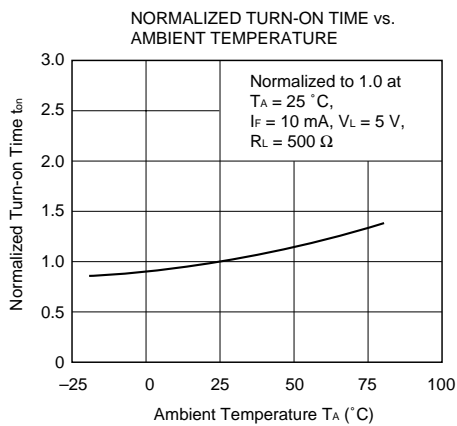
Figure 7 shows the NORMALIZED ON-STATE RESISTANCE vs. AMBIENT TEMPERATURE and the ON-STATE RESISTANCE DISTRIBUTION of a normally-off type OCMOS FET. (Such as the PS7112, PS7113, PS7122, PS7141, PS7142 and PS7160 OCMOS FET.)

Figure 5. NORMALIZED TURN-ON TIME vs. AMBIENT TEMPERATURE AND TURN-ON TIME DISTRIBUTION (1/2)

1) PS7112-1A, PS7112L-1A



2) PS7113-1A, -2A, PS7113L-1A, -2A



3) PS7122-1A, -2A, PS7122L-1A, -2A

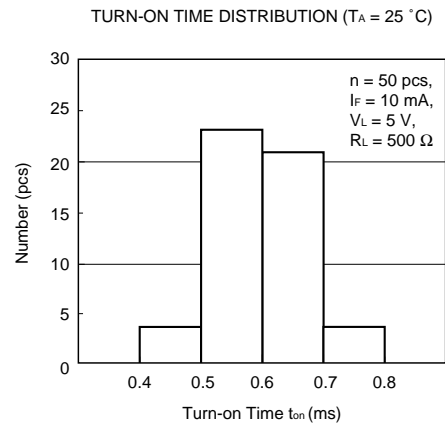
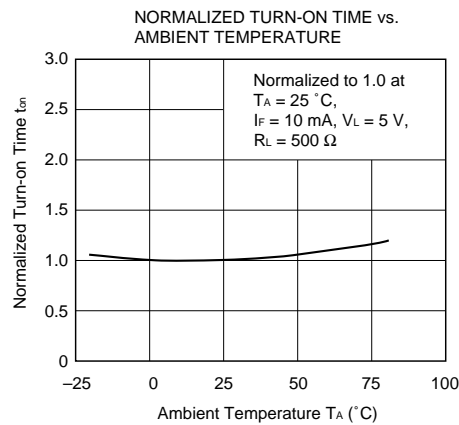
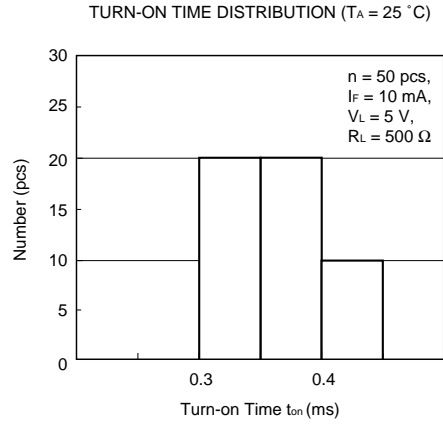
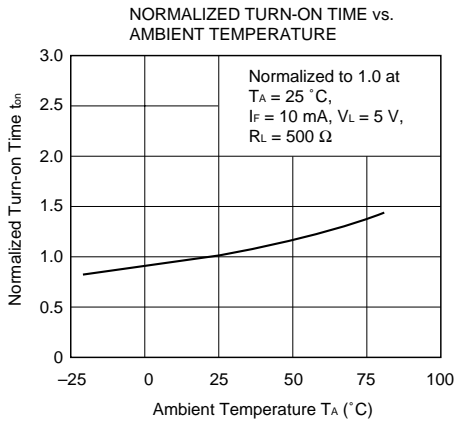
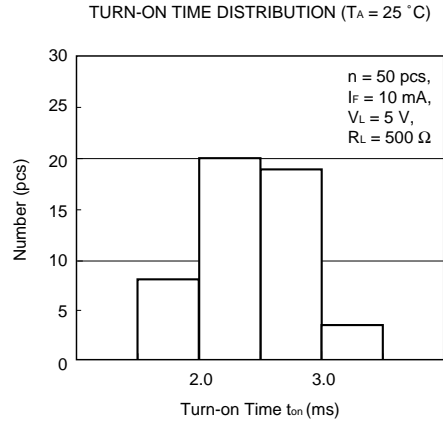
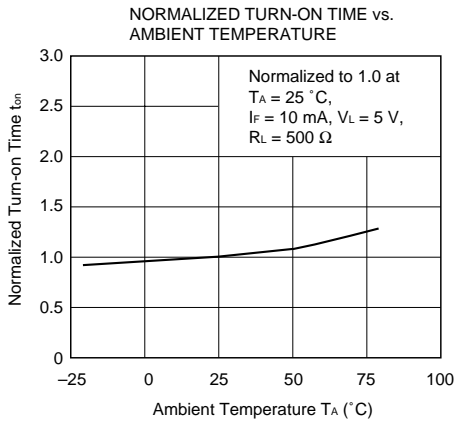


Figure 5. NORMALIZED TURN-ON TIME vs. AMBIENT TEMPERATURE AND TURN-ON TIME DISTRIBUTION (2/2)

4) PS7141-1A, PS7141L-1A



5) PS7142-1A, PS7142L-1A



6) PS7160-1A, PS7160L-1A

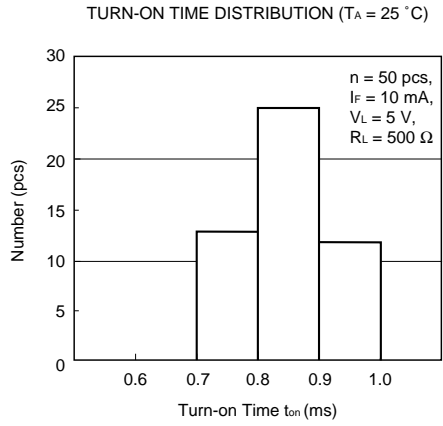
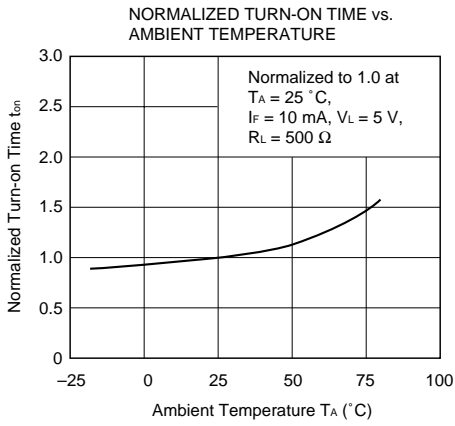
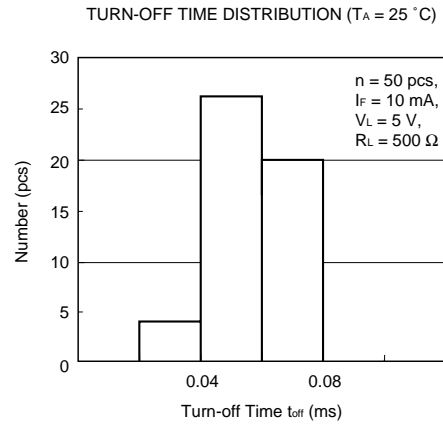
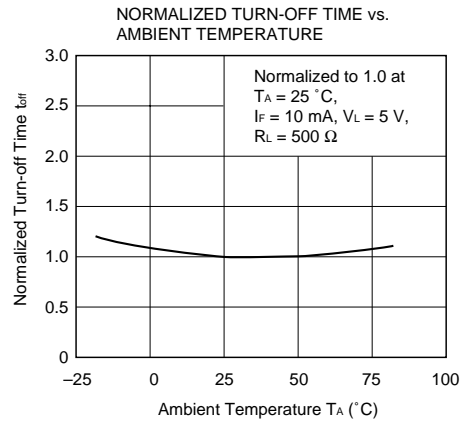
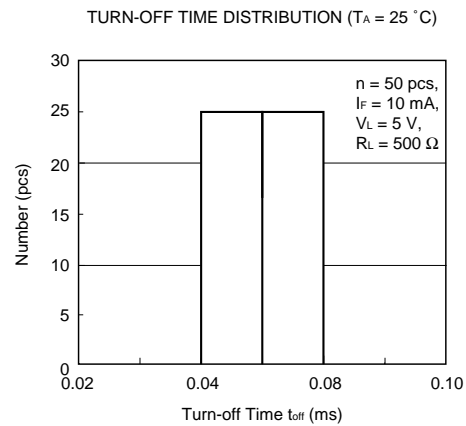
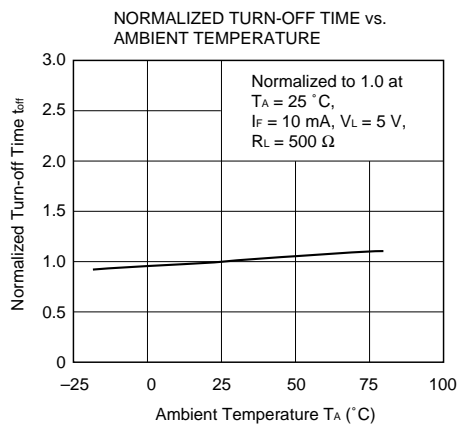


Figure 6. NORMALIZED TURN-OFF TIME vs. AMBIENT TEMPERATURE AND TURN-OFF TIME DISTRIBUTION (1/2)

1) PS7112-1A, PS7112L-1A



2) PS7113-1A, -2A, PS7113L-1A, -2A



3) PS7122-1A, -2A, PS7122L-1A, -2A

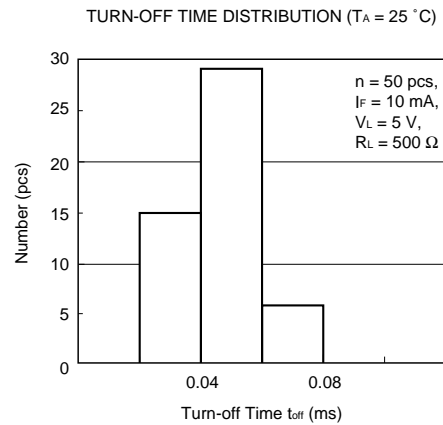
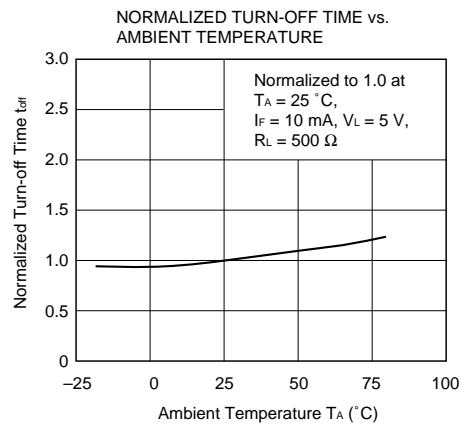
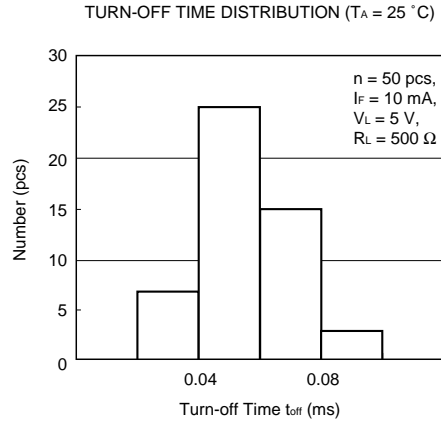
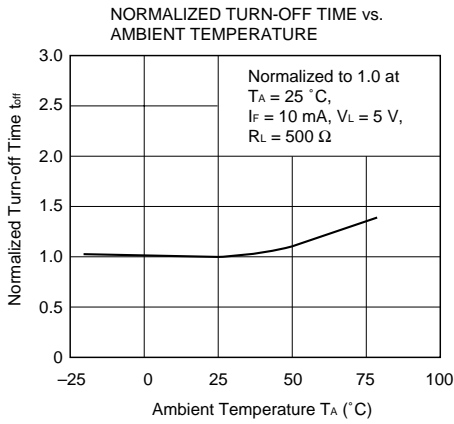
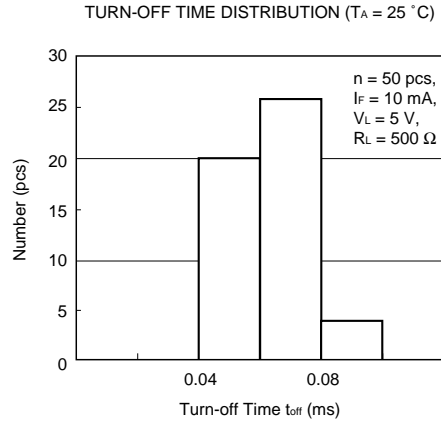
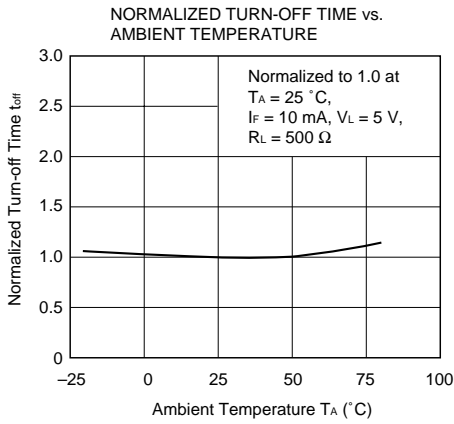


Figure 6. NORMALIZED TURN-OFF TIME vs. AMBIENT TEMPERATURE AND TURN-OFF TIME DISTRIBUTION (2/2)

4) PS7141-1A, PS7141L-1A



5) PS7142-1A, PS7142L-1A



6) PS7160-1A, PS7160L-1A

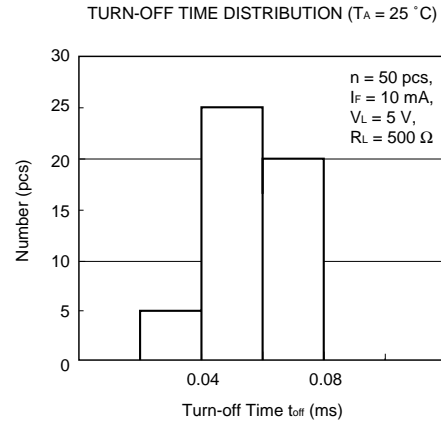
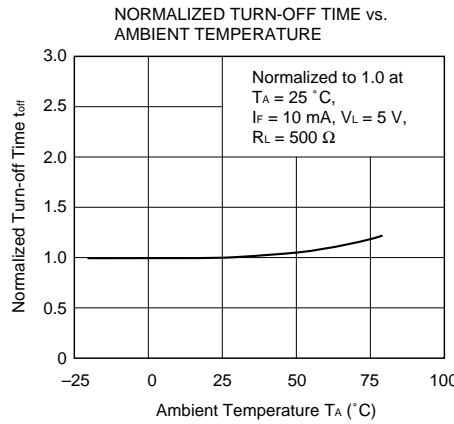
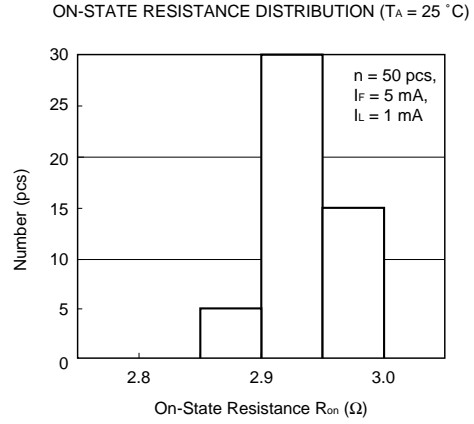
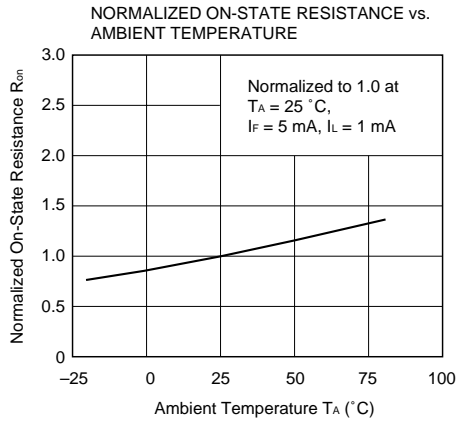
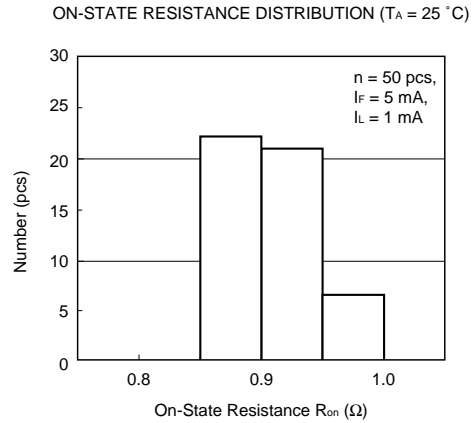
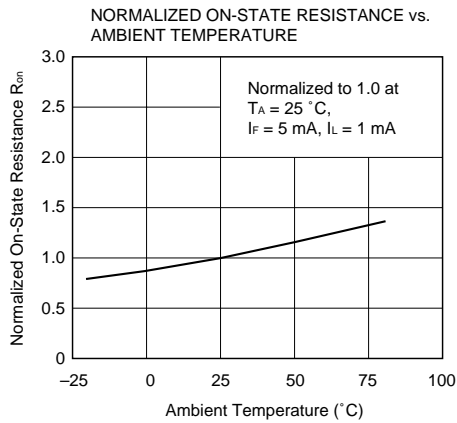


Figure 7. NORMALIZED ON-STATE RESISTANCE vs. AMBIENT TEMPERATURE AND TURN-ON TIME DISTRIBUTION (1/2)

1) PS7112-1A, PS7112L-1A



2) PS7113-1A, -2A, PS7113L-1A, -2A



3) PS7122-1A, 2A, PS7122L-1A, -2A

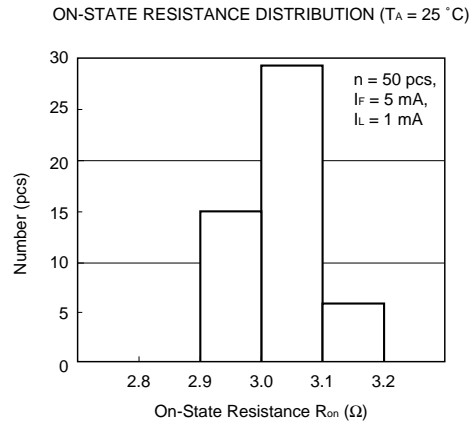
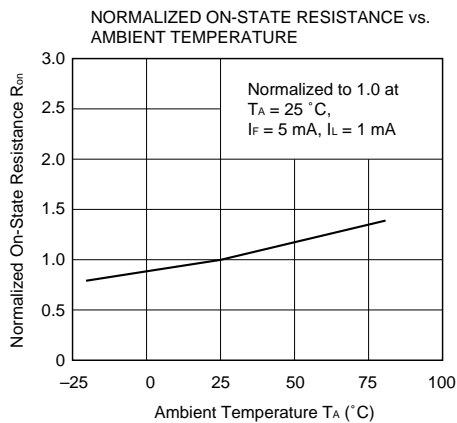
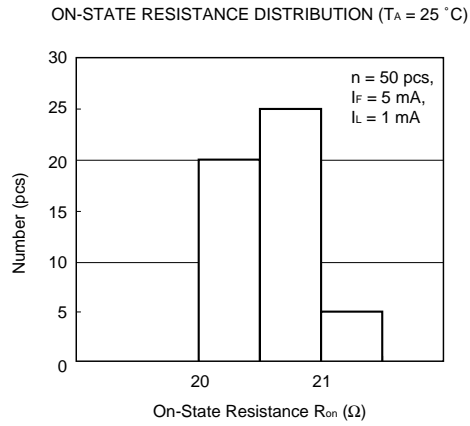
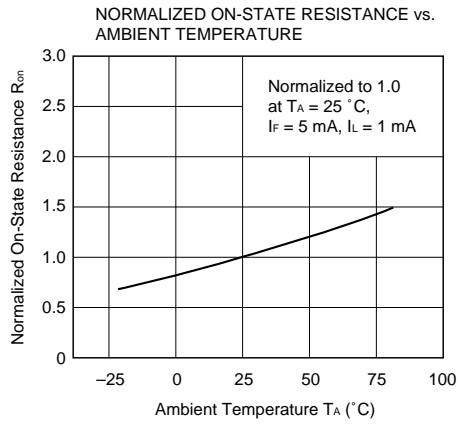
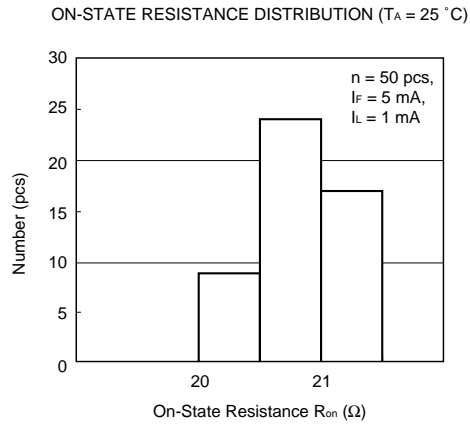
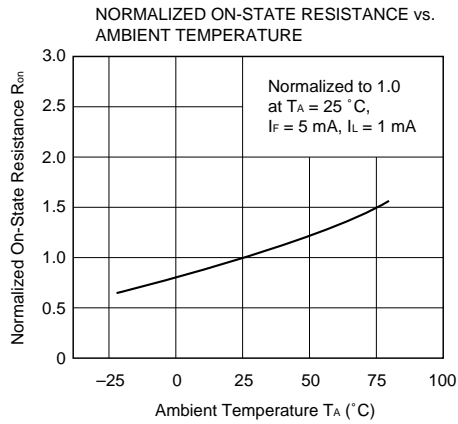


Figure 7. NORMALIZED ON-STATE RESISTANCE vs. AMBIENT TEMPERATURE AND TURN-ON TIME DISTRIBUTION (2/2)

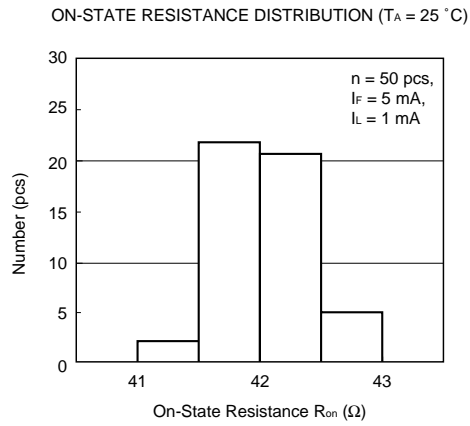
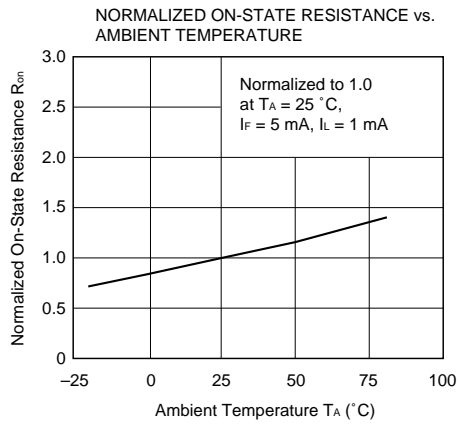
4) PS7141-1A, PS7141L-1A



5) PS7142-1A, PS7142L-1A



6) PS7160-1A, PS7160L-1A



4. CHARACTERISTICS VALUES AND MEASURING CHARACTERISTIC VALUES

4.1 CHARACTERISTICS VALUES

Table 3. OCMOS FET CHARACTERISTICS VALUES

Classification	Symbol	Item	Measuring Circuit Number
LED	V_F	Forward voltage	1
	I_F	Forward current (DC)	1
	V_R	Reverse voltage	2
	I_R	Reverse current	2
	C_i	Input capacitance	3
	P_D	Power dissipation	–
MOS FET	V_L	Breakdown voltage	4
	I_{Loff}	Off-state leakage current	5
	R_{on}	On-state resistance	6
	C_o	Output capacitance	7
Coupled	R_{i-o}	Isolation resistance	8
	BV	Isolation voltage (AC voltage for 1 minute at $T_A = 25\text{ }^\circ\text{C}$, $RH = 60\%$ between input and output).	9
	C_{i-o}	Isolation capacitance	10
	t_{on}	turn-on time	11
	t_{off}	turn-off time	11
	SOA	Safe operation area (DC)	–
	SOA	Safe operation area (pulse)	–

4.2 MEASURING CHARACTERISTIC VALUES

Table 4. Measuring OCMOS FET Characteristic Values (1/3)

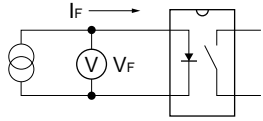
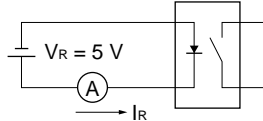
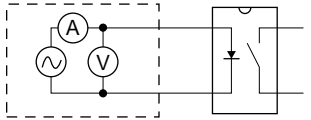
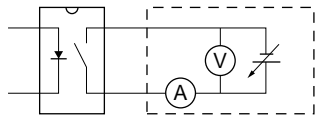
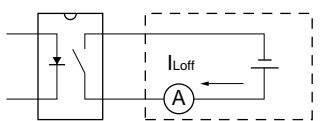
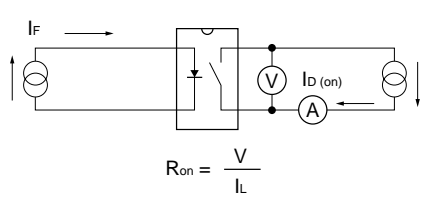
Measuring Circuit Number	Characteristic Value	Measuring Method and Conditions	Measuring Circuit
1	Forward voltage (V_F)	Let a required current flow across control input terminals and measure the voltage. $I_F \equiv 10 \text{ (mA)}$	(Control input side) 
2	Reverse current (I_R)	Apply a voltage across control input terminals in a direction opposite to normal and measure the current. $V_R \equiv 5 \text{ (V)}$	
3	Input capacitance (C_i)	Connect an LCR meter to control input terminals and measure the electrostatic capacitance. $V \equiv 0 \text{ (V)}, f \equiv 1 \text{ (MHz)}$	 LCR meter, etc.
4	Breakdown voltage (V_L)	Step up a voltage slowly across switching terminals and measure the voltage at which a required current begins flowing. $I_{D(BD)} \equiv \text{(to be defined)}$	 Semiconductor multimeter, etc.
5	Off state leakage current (I_{Loff})	Apply a required voltage across switching terminals and measure the current. $V_{D(BD)} \equiv \text{Rated voltage (V)}$	 Semiconductor multimeter, etc.
6	On-state resistance (R_{on})	Let a required current flow across control input terminals, close the switch, and measure the resistance across the terminals. $I_F \equiv 5 \text{ (mA)}$ $I_L \equiv 1 \text{ (mA)}$	 $R_{on} = \frac{V}{I_L}$

Table 4. Measuring OCMOS FET Characteristic Values (2/3)

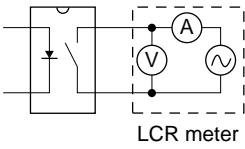
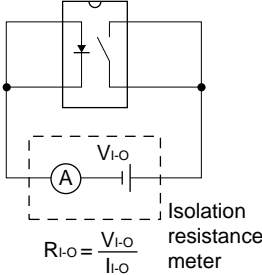
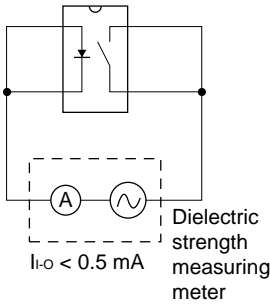
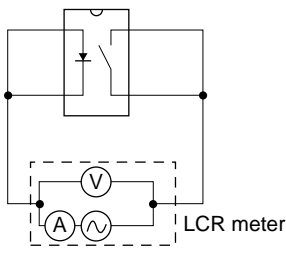
Measuring Circuit Number	Characteristic Value	Measuring Method and Conditions	Measuring Circuit
7	Output capacitance (C_o)	Connect an LCR meter across switching terminals, apply a required DC overlapping voltage, and measure the electrostatic capacitance. $V \equiv 0$ (V), $f \equiv 1$ (MHz)	
8	Isolation resistance (R_{i-o})	Connect an Isolation resistance meter between control input terminals and switching terminals, apply a required voltage, and measure the resistance. $V_{i-o} \equiv 1$ (kV)	
9	Isolation voltage (BV)	AC voltage for 1 minute at $T_A = 25$ °C, $RH = 60$ % between input and output.	
10	Isolation capacitance (C_{i-o})	Connect an LCR meter between control input terminals and switching terminals and measure the electrostatic capacitance. $V \equiv 0$ (V), $f \equiv 1$ (MHz)	

Table 4. Measuring OCMOS FET Characteristic Values (3/3)

Measuring Circuit Number	Characteristic Value	Measuring Method and Conditions	Measuring Circuit
11	turn-on time (t_{on}) turn-off time (t_{off})	Apply a rectangular wave AC voltage, to cause a required current to flow across control input terminals, and connect a load across switching terminals that satisfies a required current and voltage. Measure the waveforms for the voltages across control input terminals and across switching terminals, using a time measuring instrument like an oscilloscope, as shown at the right. $I_F \equiv 10 \text{ (mA)}$ R_L } (to be defined) V_L }	

5. APPLICATIONS

With the above features and characteristics, this OCMOS FET is suitable for the following uses: And Table 5 shows OCMOS FET LINE-UP and application.

5.1 COMMUNICATION LINES

In communication lines, relative by high voltages are applied, including office power, call signals, and test signals. Moreover, lightning surge induced in a line may unavoidably leak out to the equipment through a protective circuit.

Accordingly, a high breakdown voltage is required for the communication equipment connected to the communication lines. A photocoupler SSR is suitable to prevent relay drive current from flowing into the lines.

Furthermore, since the polarity of the telephone line is reversed in the exchange operation, the relay contact inserted in the line should have a bidirectional characteristic.

The OCMOS FET satisfies these conditions and is suitable for these applications. The applicable equipment includes an office exchange, PBX, key telephone, telephone, and facsimile.

Figure 8 and Figure 9 show D/T MODEM/FAX/TEL APPLICATION. Figure 10-Figure 12 show SWITCHING SYSTEM.

Figure 8. D/T MODEM/FAX/TEL APPLICATION

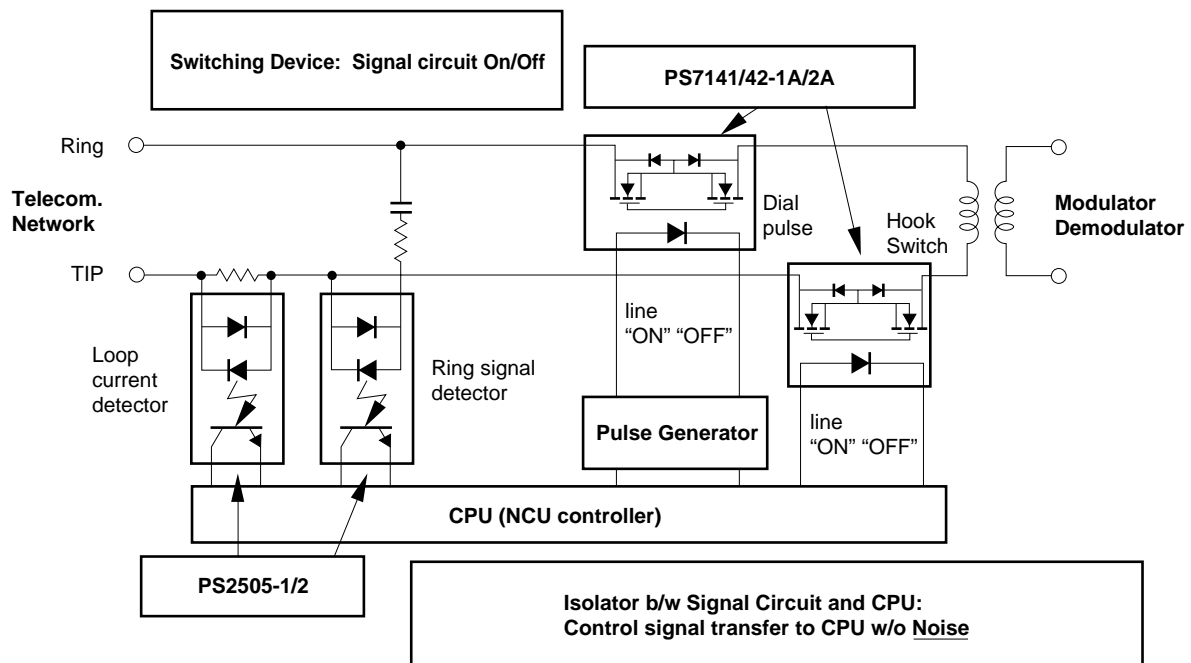


Figure 9. PC CARD/BOARD MODEM

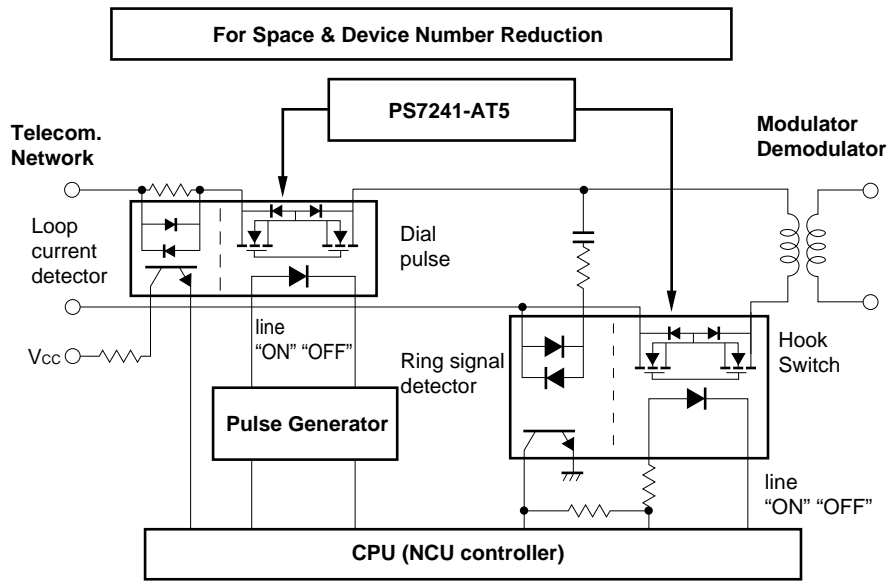


Figure 10. SWITCHING SYSTEM

Example of NRT (No Ringing Trank) signal control

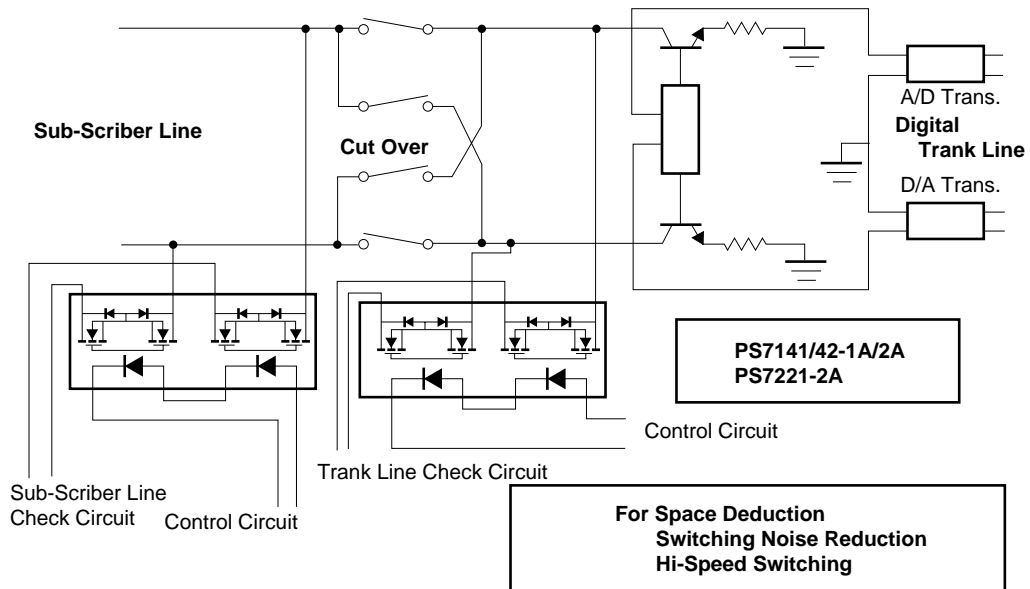


Figure 11. SLOW SWITCHING TYPE

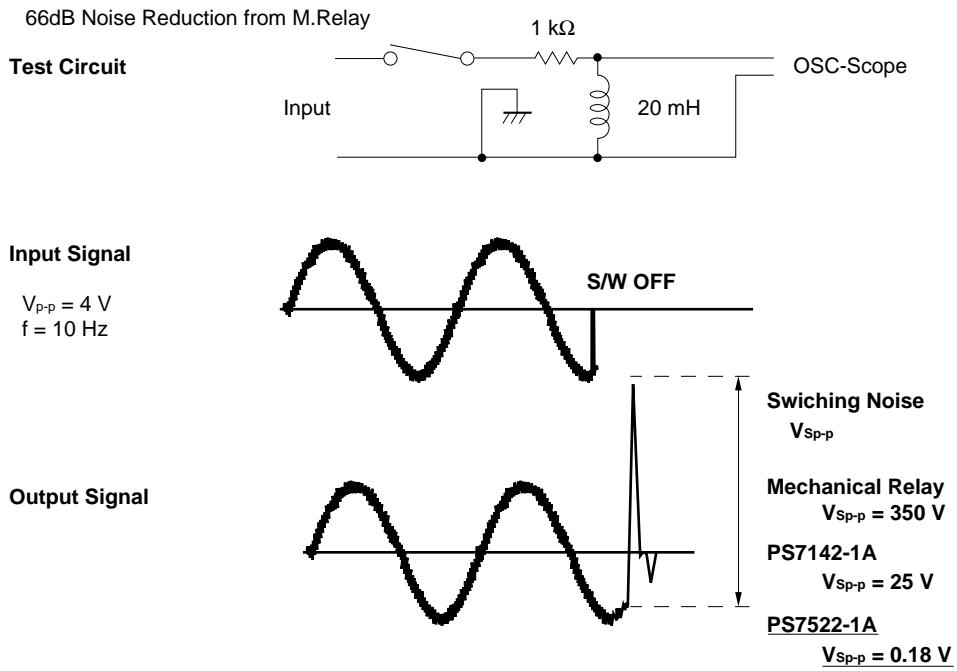
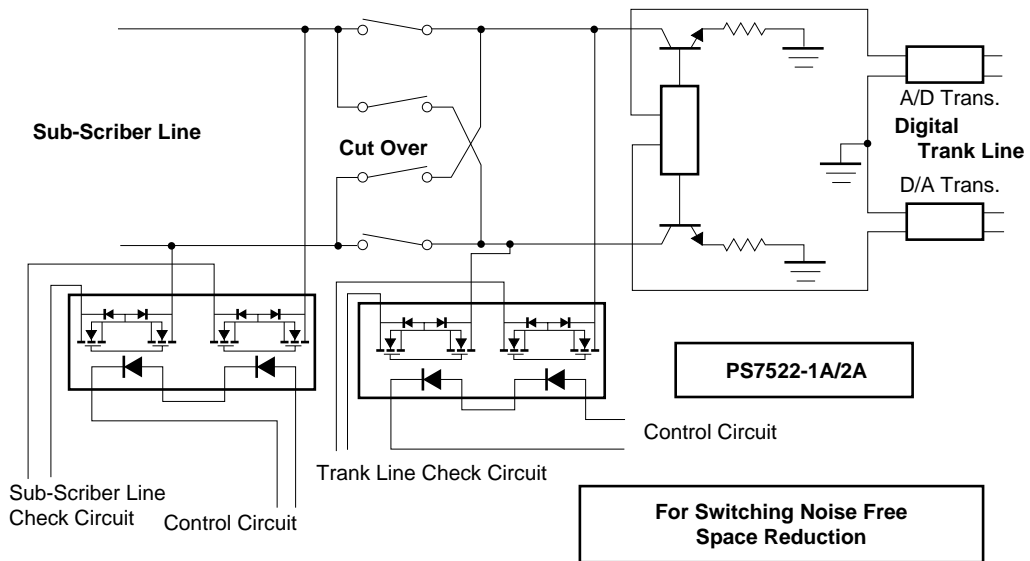


Figure 12. SWITCHING SYSTEM (LOW S/W NOISE)

Example of NRT (No Ringing Trank) signal control



5.2 INPUT/OUTPUT INTERFACE

The number of process control systems providing feedback control with microcomputers and minicomputers has been increasing rapidly in the past few years.

In these systems, it is necessary for the microcomputer to control the current for driving the actuator and process devices using a minute signal and to absorb the difference in signal levels or potentials between the devices.

Moreover, noise from the current turning on/off in the actuator or process device and from external devices may cause erroneous operation of the microcomputer. Therefore such noise must be cut off by the interface.

Accordingly, the interface relay in these system must provide electrical isolation for the circuits and input/output separation that shuts out the effect of noise produced mutually by input/output circuits and a transient load.

The opto MOS FET offers complete electrical isolation and insulation between the outputs by photo coupling. It can control signals and loads over a wide range by input of a minute amount of power. It is therefore suitable for the above purposes. Namely, it can be used in a sequence controller, programmable controller (PLC), robot, NC machine tool, automatic assembling machine, motor/solenoid/valve control.

Figure 13 and Figure 14 show PLC APPLICATION.

Figure 13. PLC (Input interface block)

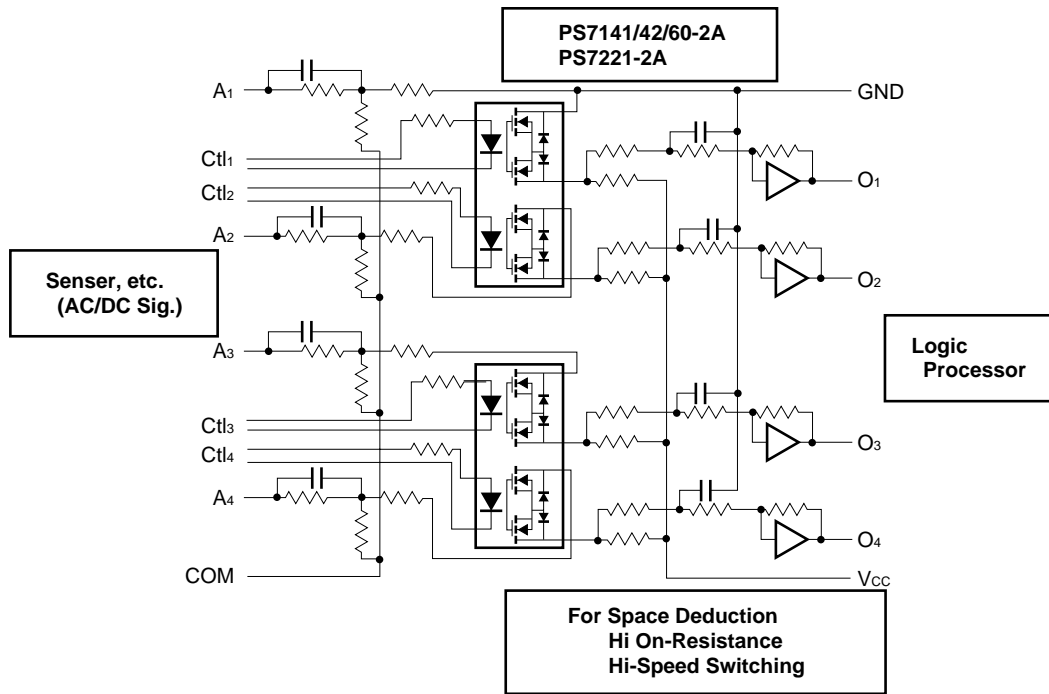
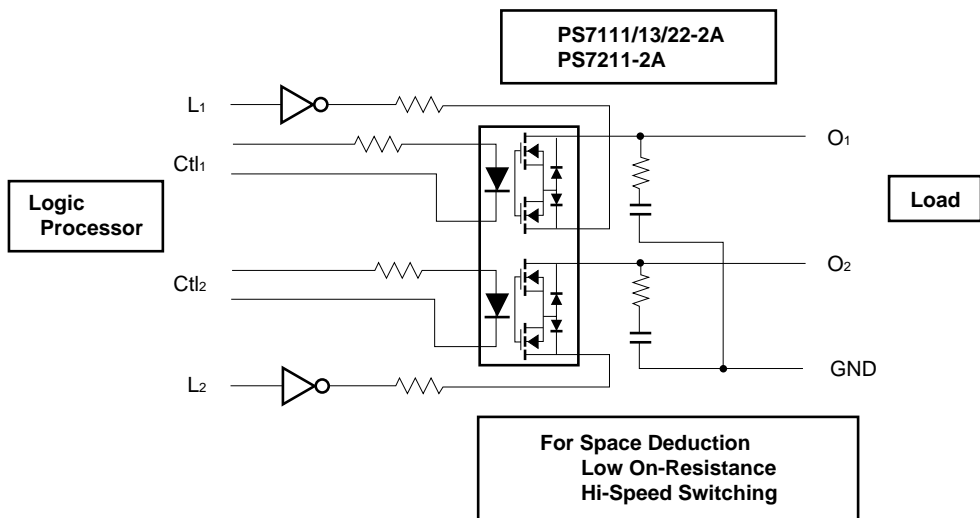


Figure 14. PLC (Output interface block)



5.3 LOW-LEVEL/ANALOG SIGNAL CONTROL

In many industrial systems, including production systems, high-speed detection of minute level signals and analog signals from sensors and transducers and transmission of these signals without distortion are frequently required for measurement, testing, inspection, monitoring, and control.

A relay to be used for these purposes must offer high-speed operation, no chattering at the time of contact, a linear characteristic without an offset voltage in the ON state, and low leak current in the OFF state.

The OCMOS FET satisfies these needs. It can be used, for example, in a collector and measuring instrument (multiplexer) for various kinds of data as well as in testing equipment (IC tester, board tester, etc.).

Figure 15 shows EQUIPMENT SYSTEM.

Figure 15. EQUIPMENT SYSTEM

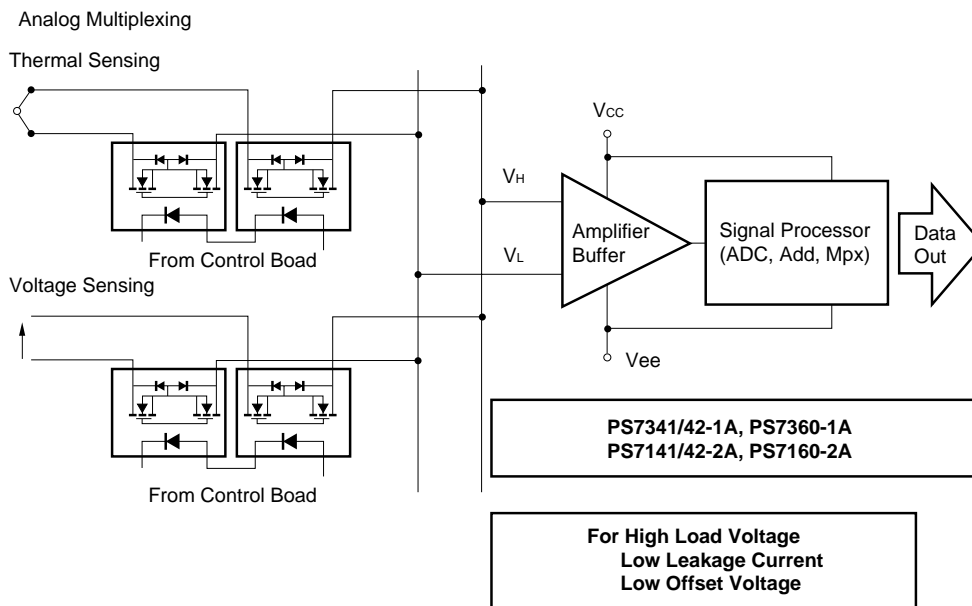


Table 5. OCMOS FET LINE-UP AND APPLICATION

Family No.		PKG	Application	Feature
2ch	PS7241-ATX	8 pin SOP	PC card, Telephone, MODEM, FAX	<ul style="list-style-type: none"> - 1 OCMOS FET + 1 Photocoupler - Small PKG
1ch	PS71XX-1A	6 pin DIP	Switching System Equipment	<ul style="list-style-type: none"> - Long Life - Smaller than M. Relay
	PS73XX-1A	6 pin DIP	Equipment	<ul style="list-style-type: none"> - Hi-isolation b/w Ctl & Switch circuit
	PS75XX-1A	6 pin DIP	Switching System	<ul style="list-style-type: none"> - Slow switching (Reduction S/W Noise)
2ch	PS71XX-2A	8 pin DIP	Switching System, PLC	<ul style="list-style-type: none"> - Long Life - Smaller than M. Relay
	PS72XX-2A	8 pin SOP	Switching System, PLC	<ul style="list-style-type: none"> - Small PKG
	PS75XX-2A	8 pin DIP	Switching System	<ul style="list-style-type: none"> - Slow switching (Reduction S/W Noise)

6. COMPARISON WITH OTHER SWITCHING DEVICES

Table 6 show the comparison OCMOS FET with other switching device.

Table 6. COMPARISON OF FEATURE

	OCMOS	M.Relay	Tr.P.C.	Triac P.C.
Signal Linearity	Excellent	Excellent	Fair	Poor
S/W Power	Small to Midium	Small to Large	Small	Midium to Large
Power Consumption	Excellent	Fair to Good	Excellent	Fair
Number of Operation	Excellent	Depend on S/W Po.	Excellent	Excellent
S/W Noise	Almost Nothing	Exist	Almost Nothing	Almost Nothing
t_{on}/t_{off}	Excellent	Fair	Good	Good
Mechanical Shock	Excellent	Fair	Excellent	Excellent
Package	LOW Profile SOP	Multi-ch 1 PKG SMD	SOP, SSOP	SOP

OCMOS: Opto-coupled MOS FET, M.Relay: Mechanical Relay,
 Tr.P.C.: Tr.Output Photocoupler, Triac P.C.:Triac Output Photocoupler

7. CAUTIONS FOR USE

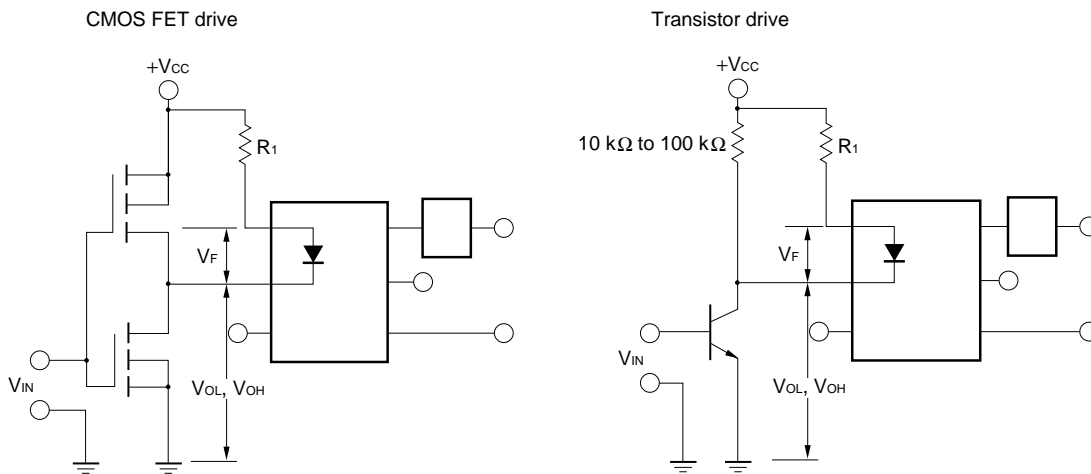
■ OCMOS FET Driving Conditions

To assure normal turn-on and turn-off actions of the relay, use the following driving conditions:

	min. ^(note)	typ.	max.
Forward LED current to turn on: I_F (on)	2 mA	10 mA	20 mA
Forward LED voltage to turn off: V_F (off)	0 V	—	1 V

Note For the conditions above, the on-state resistance, load current, turn-on time, and some other parameters differ from those provided in the standard specifications.

Typical OCMOS FET Driving Circuits



How to Determine LED Current-Limiting Resistance Needed to Assure Turn-On Action:

$$\text{Current limiting resistance: } R_1 = \frac{V_{CC} - V_{OL} - V_F(\text{on})}{2 \text{ to } 20 \text{ mA}}$$

How to Determine LED Forward Voltage Needed to Assure Turn-Off Action:

$$\text{Turn-off voltage (forward LED voltage): } V_F(\text{off}) = V_{CC} - V_{OH} < 1 \text{ V}$$

- **Untimely Turn-Off Action**
A sudden drop in LED drive current can cause untimely turn-off action of the OCMOS FET when it is in on-state.
- **Misoperation due to Impulsive Input Current in Off-State**
If a large, impulsive current flows into the OCMOS FET's control input when it is in off-state, the OCMOS FET may momentarily misoperate. The relay will return to off-state when the pulse current is removed, however. To prevent such misoperation, use a pulse current with the product of its peak value (IP) with pulse width (Δt) not exceeding 700×10^{-9} (ampere second).
- **OCMOS FET's Electrostatic Capacity**
In the off-state, the output OCMOS FETs have a capacitance of several hundred picofarads. Note, therefore, that, if the load voltage suddenly changes, a transient charging/ discharging current flows through the load circuit even when the OCMOS FET output is off-state.

- Note on Continuous, High-Speed Switching

Relay's maximum response speed (frequency) depends on the input current intensity:

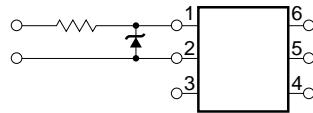
e.g. 1000 Hz max. at $I_F = 10 \text{ mA}$

500 Hz max. at $I_F = 5 \text{ mA}$

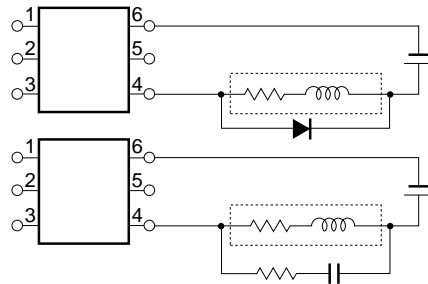
- Surge Protection

If a reverse surge voltage is expected across the control inputs, use a Zener diode across the input pins to suppress surge voltages exceeding 5 V. If large spikes exceeding the device's absolute maximum ratings are expected at the output from an inductive load, use a C/R snubber or clamping diode in parallel with the load to suppress such spikes.

Surge Protection for Control Inputs



Spike Protections for Output Circuit

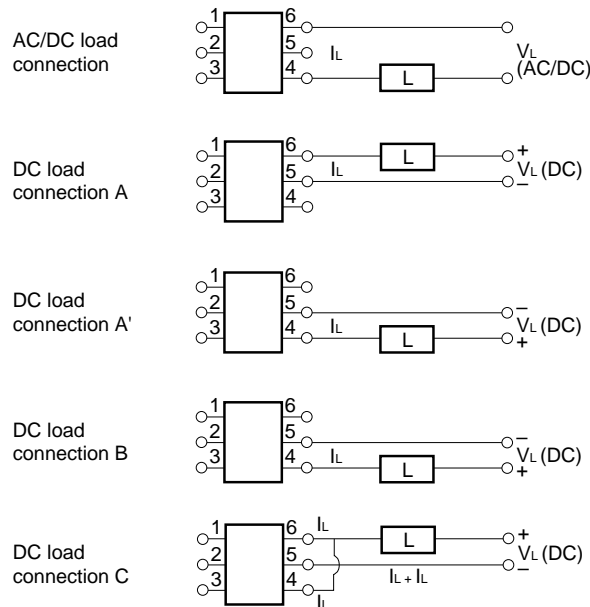


■ Load Connections

PS Series (AC/DC Switching Version)

The following five types of load connections are available.

Choose one or more depending on your application purpose.



- Input-Output Short Circuit

If an input pin is shorted to an output pin while the OCMOS FET is active, it may cause permanent damage to the internal circuitry. Take care never to short one to the other.

- **Handling Precautions**

- Electrostatic damage to OCMOS FET

The output OCMOS FET has a pin-to-pin electrostatic destruction voltage of 2000 V (test condition: 100 pF, 1.5k ohms). Care must be taken to protect the device from static electricity exceeding this value.

- Lead strength

Never apply a bend stress of more than 500 grams to any lead as it may cause damage to the OCMOS FET package and mar the device's performance and/or reliability.

- Soldering

Observe the following soldering conditions:

Dip soldering:

Prebake condition: 165 °C, Not longer than 60 sec.

Soldering condition: 260 °C, Not longer than 10 sec.

Soldering with soldering iron:

Iron tip temperature: 280 to 300 °C

Iron wattage: 30 to 60 watts

Soldering duration: Not longer than 5 sec.

- Post-installation cleaning

Observe the following cleaning requirements for OCMOS FET mounted on a PC board:

	Recommended	Not recommended
Cleaning solvent	Isopropyl alcohol Ethylalcohol	Trichloroethane Toluene Xylene

Cleaning method	Yes/No
Steam	No
Ultrasonic	Conditional yes
Brushing	No
Dipping in solvent	Yes

8. CONCLUSION

Demand for OCMOS FET featuring high sensitivity, low driving power, extremely low offset voltage in the on-state and very small leak current in the off-state is steadily increasing.

At the same time, various problems will occur in their circuit design.

We hope this manual will be helpful in solving such problems.

[MEMO]

[MEMO]

CAUTION

**The Great Care must be taken in dealing with the devices in this guide
The reason is that the material of the devices is GaAs (Gallium Arsenide), which is
designated as harmful substance according to the law concerned.
Keep the concerned and so on, especially in case of removal.**

The application circuits and their parameters are for reference only and are not intended for use in actual design-ins.

No part of this document may be copied or reproduced in any form or by any means without the prior written consent of NEC Corporation. NEC Corporation assumes no responsibility for any errors which may appear in this document.

NEC Corporation does not assume any liability for infringement of patents, copyrights or other intellectual property rights of third parties by or arising from use of a device described herein or any other liability arising from use of such device. No license, either express, implied or otherwise, is granted under any patents, copyrights or other intellectual property rights of NEC Corporation or of others.