

To our customers,

Old Company Name in Catalogs and Other Documents

On April 1st, 2010, NEC Electronics Corporation merged with Renesas Technology Corporation, and Renesas Electronics Corporation took over all the business of both companies. Therefore, although the old company name remains in this document, it is a valid Renesas Electronics document. We appreciate your understanding.

Renesas Electronics website: <http://www.renesas.com>

April 1st, 2010
Renesas Electronics Corporation

Issued by: Renesas Electronics Corporation (<http://www.renesas.com>)

Send any inquiries to <http://www.renesas.com/inquiry>.

Notice

1. All information included in this document is current as of the date this document is issued. Such information, however, is subject to change without any prior notice. Before purchasing or using any Renesas Electronics products listed herein, please confirm the latest product information with a Renesas Electronics sales office. Also, please pay regular and careful attention to additional and different information to be disclosed by Renesas Electronics such as that disclosed through our website.
2. Renesas Electronics does not assume any liability for infringement of patents, copyrights, or other intellectual property rights of third parties by or arising from the use of Renesas Electronics products or technical information described in this document. No license, express, implied or otherwise, is granted hereby under any patents, copyrights or other intellectual property rights of Renesas Electronics or others.
3. You should not alter, modify, copy, or otherwise misappropriate any Renesas Electronics product, whether in whole or in part.
4. Descriptions of circuits, software and other related information in this document are provided only to illustrate the operation of semiconductor products and application examples. You are fully responsible for the incorporation of these circuits, software, and information in the design of your equipment. Renesas Electronics assumes no responsibility for any losses incurred by you or third parties arising from the use of these circuits, software, or information.
5. When exporting the products or technology described in this document, you should comply with the applicable export control laws and regulations and follow the procedures required by such laws and regulations. You should not use Renesas Electronics products or the technology described in this document for any purpose relating to military applications or use by the military, including but not limited to the development of weapons of mass destruction. Renesas Electronics products and technology may not be used for or incorporated into any products or systems whose manufacture, use, or sale is prohibited under any applicable domestic or foreign laws or regulations.
6. Renesas Electronics has used reasonable care in preparing the information included in this document, but Renesas Electronics does not warrant that such information is error free. Renesas Electronics assumes no liability whatsoever for any damages incurred by you resulting from errors in or omissions from the information included herein.
7. Renesas Electronics products are classified according to the following three quality grades: “Standard”, “High Quality”, and “Specific”. The recommended applications for each Renesas Electronics product depends on the product’s quality grade, as indicated below. You must check the quality grade of each Renesas Electronics product before using it in a particular application. You may not use any Renesas Electronics product for any application categorized as “Specific” without the prior written consent of Renesas Electronics. Further, you may not use any Renesas Electronics product for any application for which it is not intended without the prior written consent of Renesas Electronics. Renesas Electronics shall not be in any way liable for any damages or losses incurred by you or third parties arising from the use of any Renesas Electronics product for an application categorized as “Specific” or for which the product is not intended where you have failed to obtain the prior written consent of Renesas Electronics. The quality grade of each Renesas Electronics product is “Standard” unless otherwise expressly specified in a Renesas Electronics data sheets or data books, etc.
 - “Standard”: Computers; office equipment; communications equipment; test and measurement equipment; audio and visual equipment; home electronic appliances; machine tools; personal electronic equipment; and industrial robots.
 - “High Quality”: Transportation equipment (automobiles, trains, ships, etc.); traffic control systems; anti-disaster systems; anti-crime systems; safety equipment; and medical equipment not specifically designed for life support.
 - “Specific”: Aircraft; aerospace equipment; submersible repeaters; nuclear reactor control systems; medical equipment or systems for life support (e.g. artificial life support devices or systems), surgical implantations, or healthcare intervention (e.g. excision, etc.), and any other applications or purposes that pose a direct threat to human life.
8. You should use the Renesas Electronics products described in this document within the range specified by Renesas Electronics, especially with respect to the maximum rating, operating supply voltage range, movement power voltage range, heat radiation characteristics, installation and other product characteristics. Renesas Electronics shall have no liability for malfunctions or damages arising out of the use of Renesas Electronics products beyond such specified ranges.
9. Although Renesas Electronics endeavors to improve the quality and reliability of its products, semiconductor products have specific characteristics such as the occurrence of failure at a certain rate and malfunctions under certain use conditions. Further, Renesas Electronics products are not subject to radiation resistance design. Please be sure to implement safety measures to guard them against the possibility of physical injury, and injury or damage caused by fire in the event of the failure of a Renesas Electronics product, such as safety design for hardware and software including but not limited to redundancy, fire control and malfunction prevention, appropriate treatment for aging degradation or any other appropriate measures. Because the evaluation of microcomputer software alone is very difficult, please evaluate the safety of the final products or system manufactured by you.
10. Please contact a Renesas Electronics sales office for details as to environmental matters such as the environmental compatibility of each Renesas Electronics product. Please use Renesas Electronics products in compliance with all applicable laws and regulations that regulate the inclusion or use of controlled substances, including without limitation, the EU RoHS Directive. Renesas Electronics assumes no liability for damages or losses occurring as a result of your noncompliance with applicable laws and regulations.
11. This document may not be reproduced or duplicated, in any form, in whole or in part, without prior written consent of Renesas Electronics.
12. Please contact a Renesas Electronics sales office if you have any questions regarding the information contained in this document or Renesas Electronics products, or if you have any other inquiries.

(Note 1) “Renesas Electronics” as used in this document means Renesas Electronics Corporation and also includes its majority-owned subsidiaries.

(Note 2) “Renesas Electronics product(s)” means any product developed or manufactured by or for Renesas Electronics.

H8/300H Super Low Power Series

Measuring Voltage with $\Delta\Sigma$ A/D Converter Generated by External Reference Voltage

Introduction

$\Delta\Sigma$ A/D converter is used to measure the voltage input to the Ain1 pin. The external input voltage provides the reference voltage for the $\Delta\Sigma$ A/D converter. The data thus created after the conversion are saved to the internal RAM.

Target Device

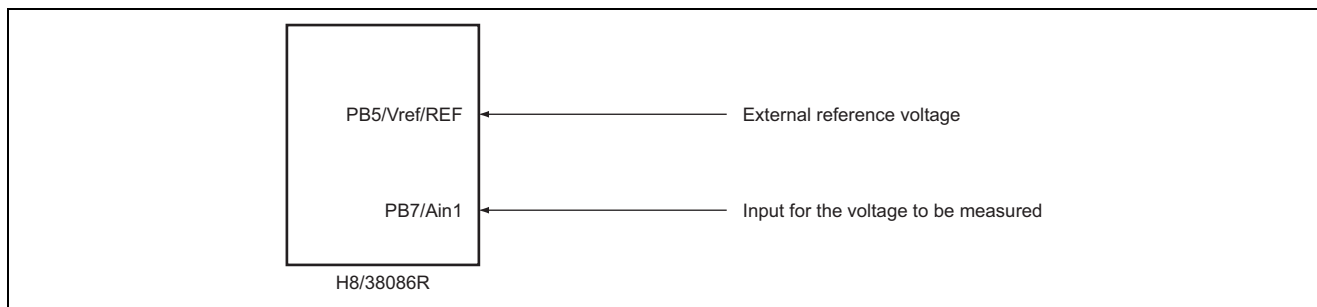
H8/38086R

Contents

1. Specifications	2
2. Measurement conditions	3
3. Description of functions used	4
4. Principle of operation	7
5. Description of software	9
6. Flowcharts	17

1. Specifications

- As is shown in figure 1, the $\Delta\Sigma$ A/D converter of the H8/38086R is used to measure the voltage input to the Ain1 pin.
- The external input voltage provides the reference voltage for the $\Delta\Sigma$ A/D converter.
- The voltage to be measured is applied to the Ain1 pin. It is then A/D converted, and the data thus created are saved to the internal RAM. The A/D conversion is executed twice. The data created in the first round of conversion are discarded, and those from the second round are used. Also, the A/D-converted data read from the A/D Data Register (ADDR) are shifted 2 bits right and saved in the internal RAM as 14-bit data.
- The mode of operation is the wait mode. The oversampling frequency is ϕ . The A/D conversion is executed with the programmable-gain amplifier (PGA) bypassed.
- The operating mode is switched to sleep (high-speed) mode during A/D conversion since this minimizes the noise generated by the CPU. The A/D conversion end interrupt takes the chip out of sleep (high-speed) mode and places it in the active (high-speed) mode. The data generated by A/D conversion are then stored in the internal RAM. The module standby function is used to place internal peripheral functions other than the $\Delta\Sigma$ A/D converter, such as SCI3, timer F, IIC2, the A/D converter, RTC, TPU, PWM, watchdog timer, and LCD internal peripheral module, on module standby.



**Figure 1 Voltage Measurement with the $\Delta\Sigma$ A/D Converter
(When Using the External Reference Voltage)**

2. Measurement conditions

Figure 2 shows the measuring circuit in this sample task.

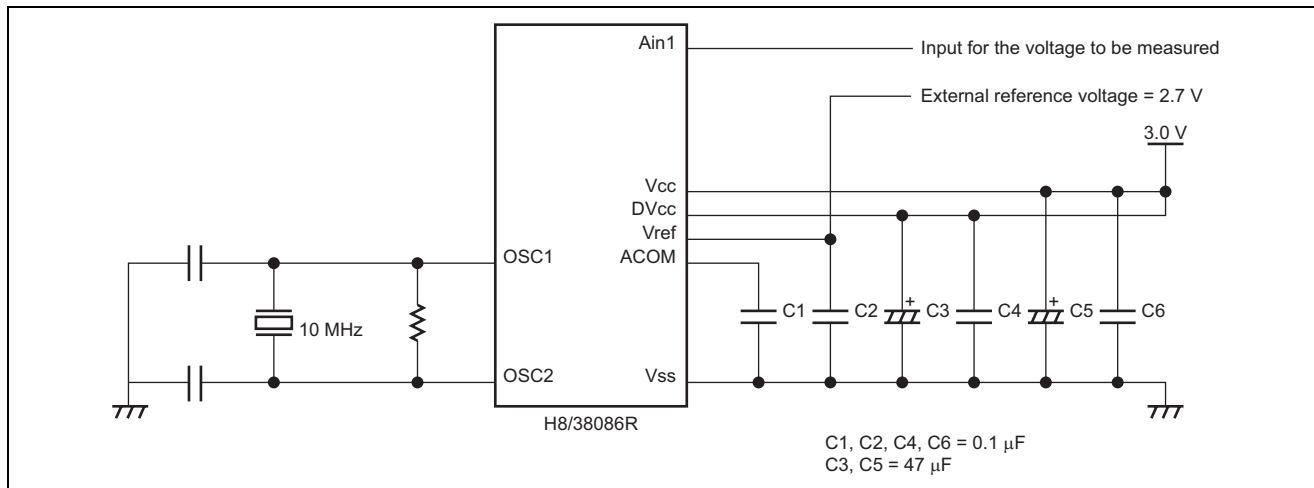


Figure 2 $\Delta\Sigma$ A/D Converter Measuring Circuit (When Using the External Reference Voltage)

Conditions for voltage measurement with the $\Delta\Sigma$ A/D converter using an external reference voltage are as follows.

- $V_{cc} = 3.0\text{ V}$
- $DV_{cc} = 3.0\text{ V}$
- $V_{ref} =$ Externally input 2.7 V
- System clock frequency (ϕ) = 10 MHz
- Oversampling frequency (f_{ovs}) = ϕ
- PGA = bypass
- Conversion mode = wait mode
- Range of input voltage = 0.2 to 2.7 V (V_{ref})

3. Description of functions used

Figure 3 is a block diagram of the $\Delta\Sigma$ A/D converter.

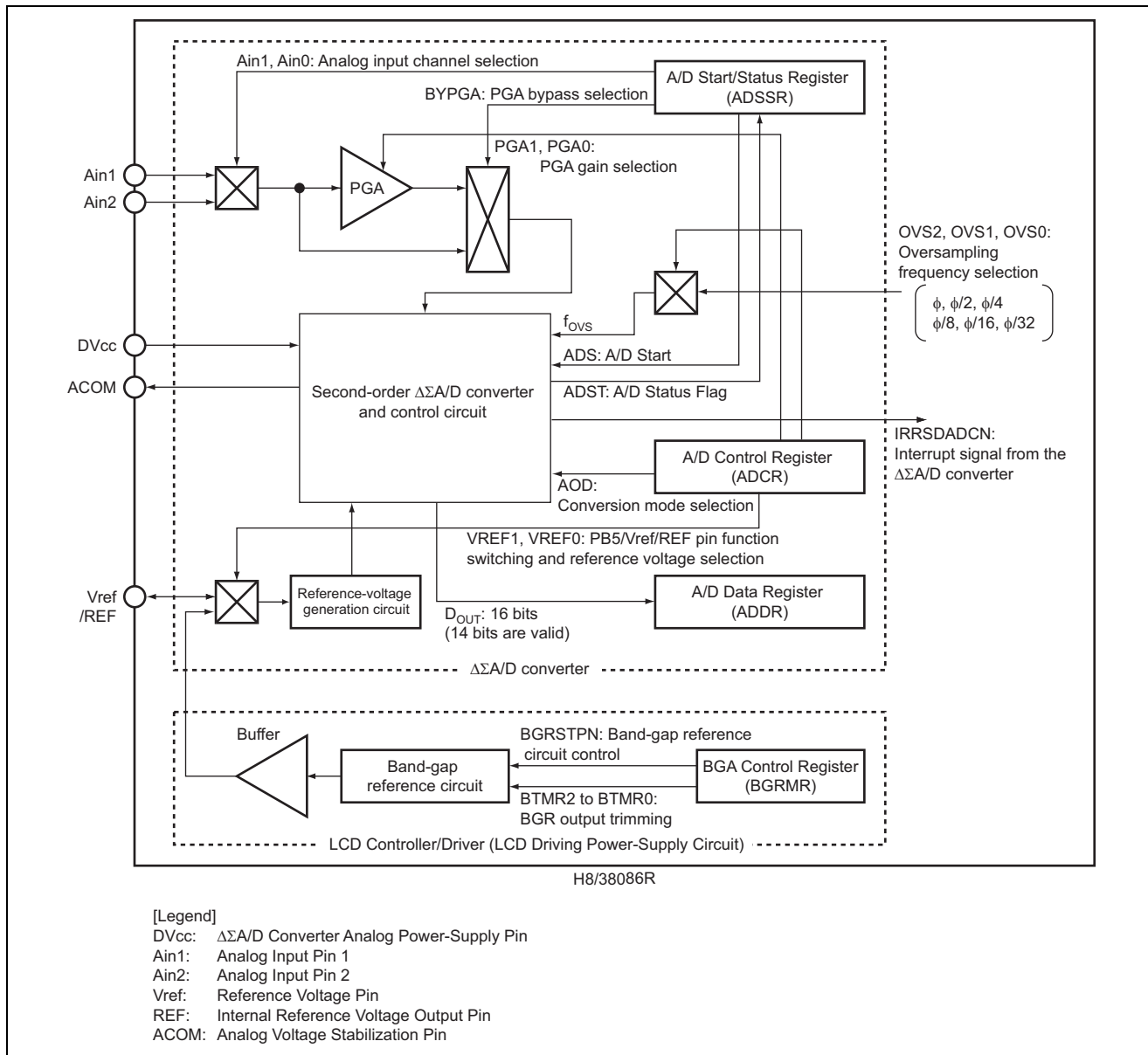


Figure 3 Block Diagram of the $\Delta\Sigma$ A/D Converter

Functions of the $\Delta\Sigma$ /D converter are described below.

3.1 Features

- Resolution: 14 bits
- No. of input channels: 2
- Conversion type: Second-order $\Delta\Sigma$ /D converter, 320-times oversampling
- Conversion time: 32 μ s per channel (in operation at 10 MHz)
- Interrupt source: One (A/D conversion end interrupt request)
- Module standby mode is available for placing this module on standby when it is not in use.

3.2 I/O pins

Table 1 is a list of the pins used for the $\Delta\Sigma$ /D converter

Table 1 Configuration of Pins for the $\Delta\Sigma$ /D Converter

Pin Name	Abbreviation	I/O	Function
Reference voltage pin	Vref	Input	Input for the external reference voltage
Internal reference voltage output pin	REF	Output	Output for the internal reference voltage
Analog voltage stabilization pin	ACOM	Output	For connection with a stabilizing capacitor (0.1 μ F)
Analog input pin 1	Ain1	Input	Analog input pin
Analog input pin 2	Ain2	Input	
Analog power-supply pin for the $\Delta\Sigma$ /D converter	DVcc	Input	Power-supply pin

3.3 Description of registers

The $\Delta\Sigma$ /D converter has the following registers.

- A/D Data Register (ADDR)

ADDR is a 16-bit read-only register that holds the results of A/D conversion. ADDR can be read by the CPU at any time, but values read from the ADDR during A/D conversion are undefined. On completion of A/D conversion, the 14-bit result of conversion is stored in the upper 14 bits in ADDR, and these data are retained until the next conversion operation starts. The initial value of ADDR is undefined.
- BGR Control Register (BGRMR)

BGRMR controls the operation of the band-gap reference circuit (BGR) and adjusts the internal reference voltage output from the REF pin (BGR output voltage).
- A/D Control Register (ADCR)

ADCR sets the conversion mode, PGA multiplication ratio, and reference voltage, and selects the PB5/Vref/REF pin function and oversampling frequency.
- A/D Start/Status Register (ADSSR)

ADSSR contains the A/D conversion status flag, analog input channel selection bit, and bypass selection bit.

3.4 $\Delta\Sigma$ A/D converter

The $\Delta\Sigma$ A/D converter uses the $\Delta\Sigma$ modulator and converts the analog input voltage range specified by the Vref pin to digital data with 14-bit resolution. The $\Delta\Sigma$ A/D converter is configured of two blocks, an analog block, the main part of which is a $\Delta\Sigma$ modulator, and a digital block, which consists of a digital filter control circuit.

In the analog block, voltages on the analog input pins (Ain1 and Ain2) are sampled at a frequency 320 times the conversion frequency (oversampling frequency) and then converted to a sequence of 1-bit digital values by the second-order $\Delta\Sigma$ modulator. The result of conversion is output as 14-bit data in unsigned binary code to the ADDR via the decimation filter in the digital block.

At this time, bit 13 in the ADDR is the MSB and bit 0 is the LSB.

3.5 Conversion modes of the $\Delta\Sigma$ A/D converter

The $\Delta\Sigma$ A/D converter has two modes, i.e. the wait mode and continuous mode.

3.5.1 Wait mode

In wait mode, A/D conversion is executed once for the specified one analog input channel as follows.

1. A/D conversion is started on the selected channel when the ADS bit in ADSSR is set to 1 by software.
2. The result is transferred to ADDR on completion of A/D conversion.
3. The IRRSAD flag in IRR2 is set to 1. If the value of the IENSAD bit in IENR2 is 1 at this time, an A/D conversion end interrupt request is generated.
4. The ADST bit remains set to 1 during A/D conversion. When A/D conversion ends, the ADST bit is automatically cleared to 0 and the A/D converter enters the wait state.

3.5.2 Continuous mode

In continuous mode, A/D conversion is executed continuously on the specified single analog input channel as follows.

1. A/D conversion is started on the selected channel when the MOD bit in ADCR is set to 1 by software.
2. The result is transferred to ADDR on completion of A/D conversion.
3. The IRRSAD flag in IRR2 is set to 1. If the value of the IENSAD bit in IENR2 is 1 at this time, an A/D conversion end interrupt request is generated.
4. Steps 2 and 3 are repeated. To stop conversion in continuous mode, the chip should be reset or placed in watch, subactive, subsleep, or standby mode, or the MOD bit in ADCR should be cleared to 0.

3.5.3 Operating modes of the $\Delta\Sigma$ A/D converter

Table 2 shows the different operating modes of the $\Delta\Sigma$ A/D converter

Table 2 Operating Modes of the $\Delta\Sigma$ A/D Converter

Operating mode	Reset	Active	Sleep	Watch	Sub-active	Sub-sleep	Standby	Module standby
ADCR	Reset	Functions	Retained	Retained	Retained	Retained	Retained	Retained
ADSSR	Reset	Functions	Functions	Retained	Retained	Retained	Retained	Retained
ADDR	Retained*	Functions	Functions	Retained	Retained	Retained	Retained	Retained
BGRMR	Reset	Functions	Retained	Retained	Functions	Retained	Retained	Retained

Note: * Undefined during a power-on reset.

3.5.4 Assignment of pin functions

Table 3 shows the assignment of pin functions used in this sample task.

Table 3 Assignment of Pin Functions

Pin	Function
Vref/REF	As the Vref input pin, input for the external reference voltage (2.7 V dc)
DVcc	As the power-supply pin for the $\Delta\Sigma$ A/D converter, input for 3.0 V dc
Ain1	As the analog input pin, input for the voltage to be measured
Ain2	Not used
ACOM	As the analog voltage stabilization pin, for connection to a 0.1- μ F capacitor

4. Principle of operation

Figure 4 shows the principle of operation for $\Delta\Sigma$ A/D conversion in the wait mode, i.e. the form used in this sample task. Polling by software is used to judge the completion of first round of A/D conversion. An interrupt is used to take the device out of sleep (high-speed) mode on completion of the second round of conversion.

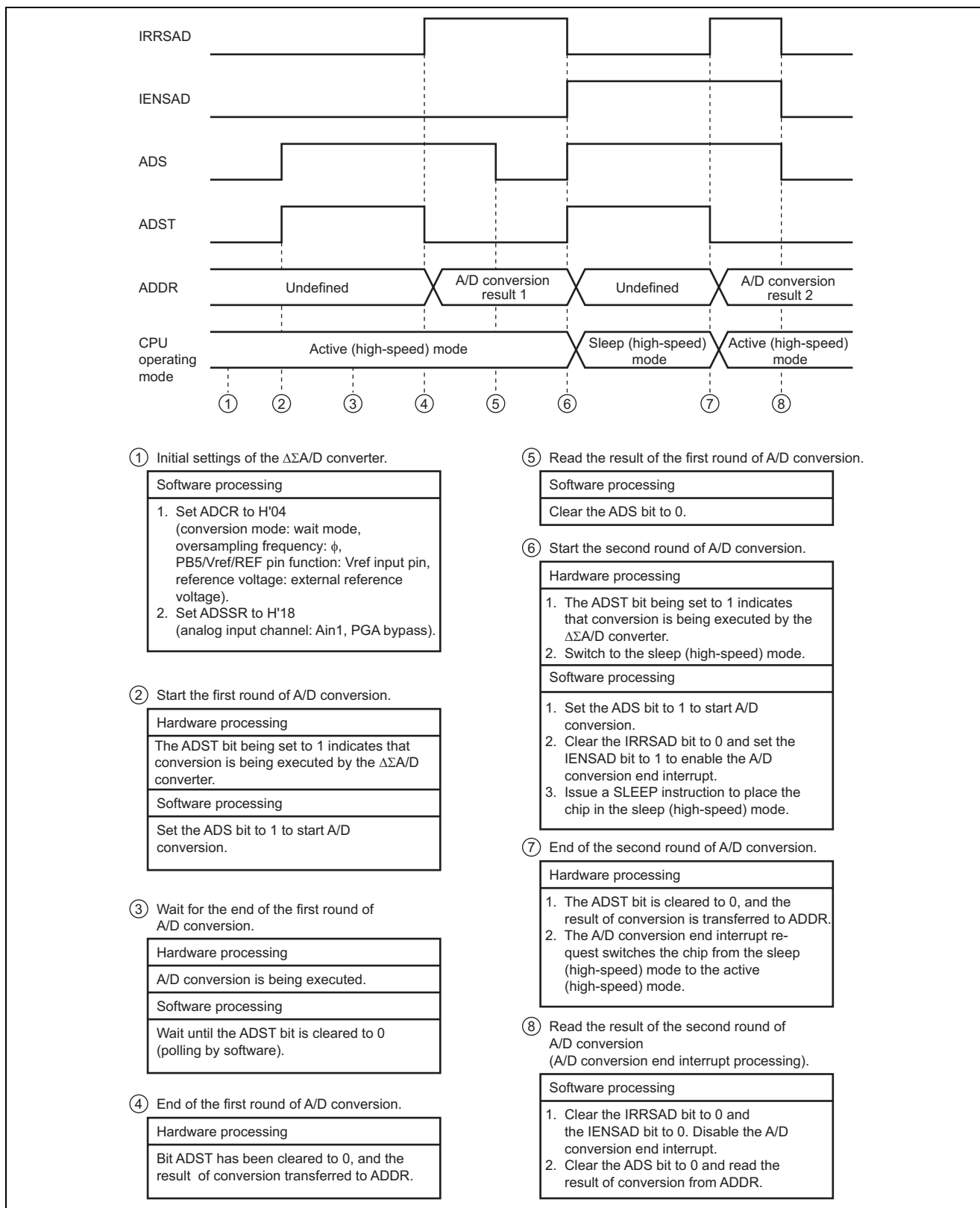


Figure 4 Principle of Operation for Voltage Measurement by the $\Delta\Sigma$ A/D Converter (When Using the External Reference Voltage)

5. Description of software

5.1 Description of internal I/O register usage

Internal I/O registers used in this sample task are described below.

- A/D Data Register (ADDR) Address: H'F062

Bit	Bit Name	Initial value	R/W	Description
15	ADD13	—	R	16-bit read-only register that holds the results of A/D conversion. The 14 bits of A/D-converted data are stored in the higher-order 14 bits. The ADDR value during A/D conversion is undefined.
14	ADD12	—	R	
13	ADD11	—	R	
12	ADD10	—	R	
11	ADD9	—	R	
10	ADD8	—	R	
9	ADD7	—	R	
8	ADD6	—	R	
7	ADD5	—	R	
6	ADD4	—	R	
5	ADD3	—	R	
4	ADD2	—	R	
3	ADD1	—	R	
2	ADD0	—	R	
1	—	—	—	—
0	—	—	—	—

- A/D Control Register (ADCR) Address: H'F060

Bit	Bit Name	Initial value	R/W	Description
7	MOD	0	R/W	Conversion Mode Select Sets the conversion mode. While the MOD bit is set to 1, A/D conversion is executed regardless of the value of the ADS bit in ADSSR. 0: Wait mode 1: Continuous mode
6	OVS2	0	R/W	Oversampling Frequency Select Select the oversampling frequency. 000: ϕ 001: $\phi/2$ 010: $\phi/4$ 011: $\phi/8$ 100: $\phi/16$ 101: $\phi/32$ 11x: Setting prohibited
5	OSV1	0	R/W	
4	OVS0	0	R/W	
3	VREF1	0	R/W	PB5/Vref/REF Pin Function Switch and Reference Voltage Select Specify whether the PB5/Vref/REF pin functions as a PB5 pin, Vref pin, or REF pin. In addition, these bits select the external reference voltage (Vref) or internal reference voltage (REF) as the reference voltage for the $\Delta\Sigma$ /D converter. If REF is to be selected, set these bits after setting the BGRSTPN bit in BGRMR to 1 so that the BGR operates. 00: Functions as a PB5 input pin 01: Functions as a Vref input pin, and the external reference voltage (Vref) is input to the reference generator 10: Functions as a REF output pin 11: Functions as a REF output pin, and the internal reference voltage (REF) is input to the reference generator When these bits are set to B'11, the REF voltage is input to the reference voltage generator in the $\Delta\Sigma$ /D converter at the same timing as the internal reference voltage (REF) is output from the REF pin. To operate the $\Delta\Sigma$ /D converter with the internal reference voltage (REF), set these bits to B'11.
2	VREF0	1	R/W	
1	PGA1	0	R/W	PGA Gain Select Set the analog input voltage multiplication ratio to a value from 1/3 to 4. 00: 1 01: 2 10: 4 11: 1/3
0	PGA0	0	R/W	

Note: x: Don't care

- A/D Start/Status Register (ADSSR) Address: H'F061

Bit	Bit Name	Initial value	R/W	Description
7	ADS	1	R/W	A/D Start When this bit is set to 1 in wait mode (the MOD bit in ADCR is cleared to 0), A/D conversion is started.
6	ADST	—	R	A/D Status Flag When this bit is read in wait mode (the MOD bit in ADCR is cleared to 0), A/D conversion status can be identified. 0: In the idle state 1: A/D conversion in progress
5	AIN1	0	R/W	Analog Input Channel Select Select the analog input channel. 00: Not selected 01: Ain1 10: Ain2 11: Not selected
4	AIN0	1	R/W	
3	BYPGA	1	R/W	PGA Bypass Select Selects whether the analog input is to the PGA or second-order $\Delta\Sigma$ A/D converter. 0: To the PGA 1: To the second-order $\Delta\Sigma$ A/D converter
2	—	—	—	Reserved
1	—	—	—	These bits cannot be modified.
0	—	—	—	

- Interrupt Enable Register 2 (IENR2) Address: H'FFF4

Bit	Bit Name	Initial value	R/W	Description
5	IENSAD	1	R/W	$\Delta\Sigma$ A/D Converter Interrupt Request Enable The $\Delta\Sigma$ A/D converter interrupt request is enabled when this bit is set to 1. 0: $\Delta\Sigma$ A/D converter interrupt request is disabled. 1: $\Delta\Sigma$ A/D converter interrupt request is enabled.

- Interrupt Request Register 2 (IRR2) Address: H'FFF7

Bit	Bit Name	Initial value	R/W	Description
5	IRRSAD	0	R/(W)*	$\Delta\Sigma$ A/D Converter Interrupt Request Flag [Setting condition] Completion of $\Delta\Sigma$ A/D conversion [Clearing condition] Writing of 0 to this bit

Note: * The only effective write value is 0, which clears the flag.

- System Control Register 1 (SYSCR1) Address: H'FFF0

Bit	Bit Name	Initial value	R/W	Description
7	SSBY	0	R/W	Software Standby Selects the mode to be entered after execution of the SLEEP instruction. 0: The transition is to sleep mode or subsleep mode. 1: The transition is to standby mode or watch mode.
3	LSON	0	R/W	Low-Speed On Flag Selects the system clock (ϕ) or subclock (ϕ_{SUB}) as the CPU operating clock on exit from watch mode. 0: The CPU operates from the system clock (ϕ) 1: The CPU operates from the subclock (ϕ_{SUB})

- System Control Register 2 (SYSCR2) Address: H'FFF1

Bit	Bit Name	Initial value	R/W	Description
3	DTON	0	R/W	Direct Transfer on Flag Along with bits SSBY, TMA3, and LSON in SYSCR1 and bit MSON in SYSCR2, selects the mode to be entered after execution of the SLEEP instruction.
2	MSON	0	R/W	Medium Speed on Flag After standby, watch, or sleep mode is cleared, this bit selects active (high-speed) or active (medium-speed) mode.

- Clock Halt Register 1 (CKSTPR1) Address: H'FFFA

Bit	Bit Name	Initial value	R/W	Description
7	S4CKSTP	1	R/W* ¹	SCI4 Module Standby SCI4 enters standby mode when this bit is cleared to 0. 0: SCI4 is placed in module standby mode 1: SCI4 is taken out of module standby mode.
6	S31CKSTP	0	R/W	SCI3_1 Module Standby * ² SCI3_1 enters standby mode when this bit is cleared to 0. 0: SCI3_1 is placed in module standby mode. 1: SCI3_1 is taken out of module standby mode.
5	S32CKSTP	0	R/W	SCI3_2 Module Standby * ² SCI3_2 enters standby mode when this bit is cleared to 0. 0: SCI3_2 is placed in module standby mode 1: SCI3_2 is taken out of module standby mode.
4	ADCKSTP	0	R/W	A/D Converter Module Standby The A/D converter enters standby mode when this bit is cleared to 0. 0: The A/D converter is placed in module standby mode. 1: The A/D converter is taken out of module standby mode.
3	DADCKSTP	1	R/W	$\Delta\Sigma$ A/D Converter Module Standby The $\Delta\Sigma$ A/D converter enters standby mode when this bit is cleared to 0. 0: The $\Delta\Sigma$ A/D converter is placed in module standby mode. 1: The $\Delta\Sigma$ A/D converter is taken out of module standby mode.
2	TFCKSTP	0	R/W	Timer F Module Standby Timer F enters standby mode when this bit is cleared to 0. 0: Timer F is placed in module standby mode. 1: Timer F is taken out of module standby mode.
1	FROMCKSTP	1	R/W	Flash Memory Module Standby The flash memory enters standby mode when this bit is cleared to 0. 0: The flash memory is placed in module standby mode. 1: The flash memory is taken out of module standby mode.
0	RTCKSTP	0	R/W	RTC Module Standby The RTC enters standby mode when this bit is cleared to 0. 0: The RTC is placed in module standby mode. 1: The RTC is taken out of module standby mode.

Note: *1. In the mask-programmed ROM version, this is a reserved bit which is not readable or writable.

*2. When SCI3 is put on module standby, all registers of SCI3 enter the reset state.

- Clock Halt Register 2 (CKSTPR2) Address: H'FFFB

Bit	Bit Name	Initial value	R/W	Description
7	ADBACKSTP	1	R/W	<p>Address Break Module Standby</p> <p>The address break module enters standby mode when this bit is cleared to 0.</p> <p>0: The address break module is placed in module standby mode.</p> <p>1: The address break module is taken out of module standby mode.</p>
6	TPUCKSTP	0	R/W	<p>TPU Module Standby</p> <p>The TPU enters standby mode when this bit is cleared to 0.</p> <p>0: The TPU is placed in module standby mode</p> <p>1: The TPU is taken out of module standby mode.</p>
5	IICCKSTP	0	R/W	<p>IIC2 Module Standby</p> <p>The IIC2 module enters standby mode when this bit is cleared to 0.</p> <p>0: The IIC2 module is placed in module standby mode.</p> <p>1: The IIC2 module is taken out of module standby mode.</p>
4	PW2CKSTP	0	R/W	<p>PWM2 Module Standby</p> <p>The PWM2 module enters standby mode when this bit is cleared to 0.</p> <p>0: The PWM2 module is placed in module standby mode.</p> <p>1: The PWM2 module is taken out of module standby mode.</p>
3	AECKSTP	0	R/W	<p>Asynchronous Event Counter Module Standby</p> <p>The asynchronous event counter enters standby mode when this bit is cleared to 0.</p> <p>0: The asynchronous event counter is placed in module standby mode.</p> <p>1: The asynchronous event counter is taken out of module standby mode.</p>
2	WDCKSTP	0	R/W*	<p>Watchdog Timer Module Standby</p> <p>The watchdog timer enters standby mode when this bit is cleared to 0.</p> <p>0: The watchdog timer is placed in module standby mode</p> <p>1: The watchdog timer counter is taken out of module standby mode.</p>
1	PW1CKSTP	0	R/W	<p>PWM1 Module Standby</p> <p>The PWM1 module enters standby mode when this bit is cleared to 0.</p> <p>0: The PWM1 module is placed in module standby mode.</p> <p>1: The PWM1 module is taken out of module standby mode.</p>

Bit	Bit Name	Initial value	R/W	Description
0	LDCKSTP	0	R/W	<p>LCD Module Standby</p> <p>The LCD controller/driver enters standby mode when this bit is cleared to 0.</p> <p>0: The LCD controller/driver is placed in module standby mode.</p> <p>1: The LCD controller/driver is taken out of module standby mode.</p>

Note: * This bit is valid when the WDON bit in TCSRWD1 is 0. If this bit is cleared to 0 while the WDON bit is set to 1 (i.e. while the watchdog timer is operating), the bit is cleared but the watchdog timer does not enter module standby mode; instead, it continues to operate. When the watchdog timer stops operating and the WDON bit is cleared to 0 by software, this bit is fully effective and the watchdog timer enters module standby mode.

5.2 Description of modules

Table 4 gives descriptions of the modules used in this sample task.

Table 4 Description of modules

Module Name	Function
main ()	Main Routine Initial settings of the $\Delta\Sigma$ A/D converter. Waits for the end of the first round of $\Delta\Sigma$ A/D conversion, enables the $\Delta\Sigma$ A/D conversion end interrupt request, and places the chip in the sleep (high-speed) mode.
int_dsadc ()	$\Delta\Sigma$ A/D converter interrupt processing routine Clears the $\Delta\Sigma$ A/D converter interrupt request flag, disables the $\Delta\Sigma$ A/D converter interrupt request, and stores the result of A/D conversion in RAM.

5.3 RAM usage

Table 5 shows the description of RAM usage in this sample task.

Table 5 Description of RAM Usage

Label Name	Function	Data Size	Address	Module Name
ad_result	Shifts the results of $\Delta\Sigma$ A/D conversion 2 bits right for treatment as 14-bit data.	unsigned short (2 bytes)	H'F780	main () int_dsadc ()

5.4 Link address settings

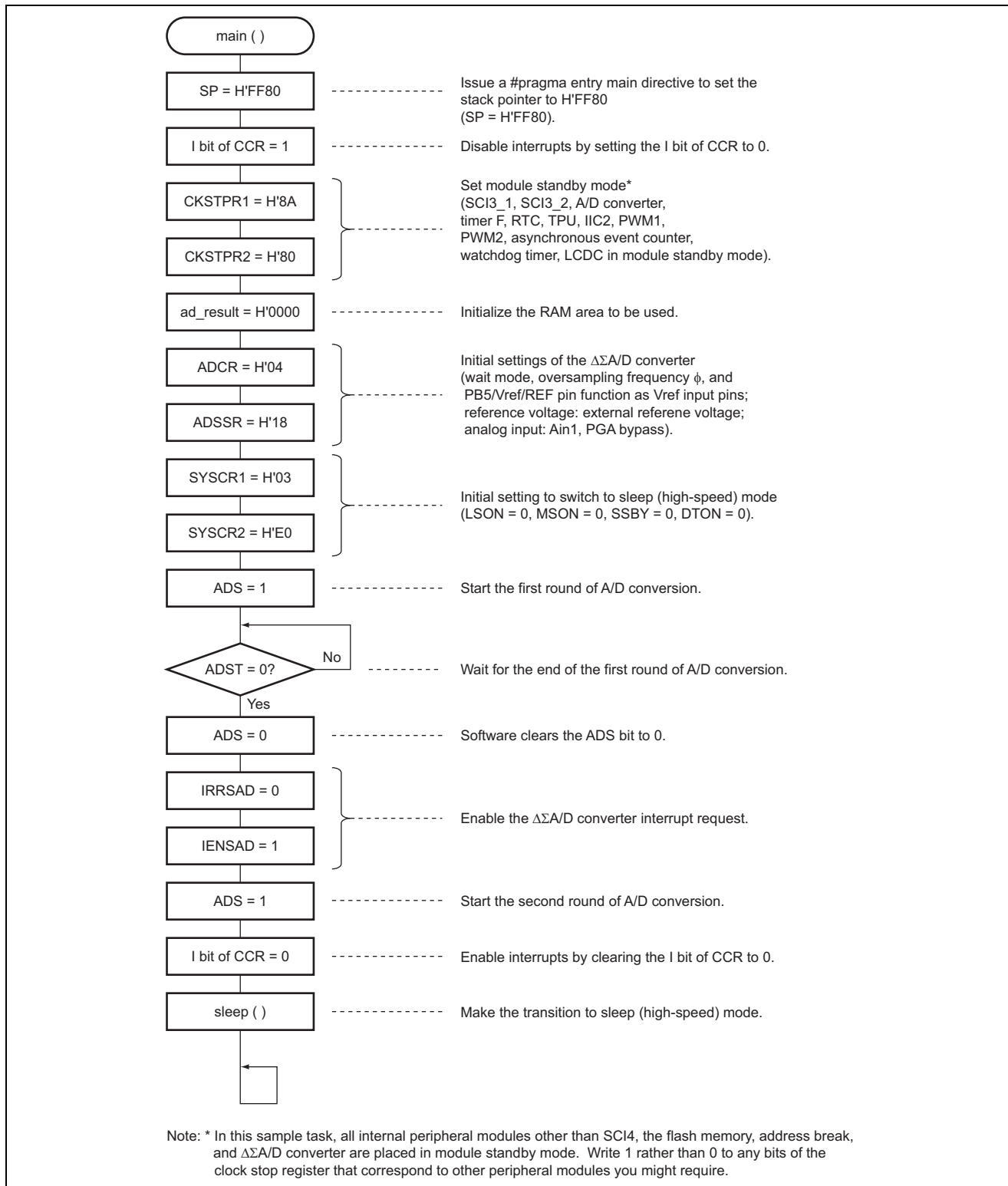
Table 6 shows the link addresses used in this sample task.

Table 6 Link Address Settings

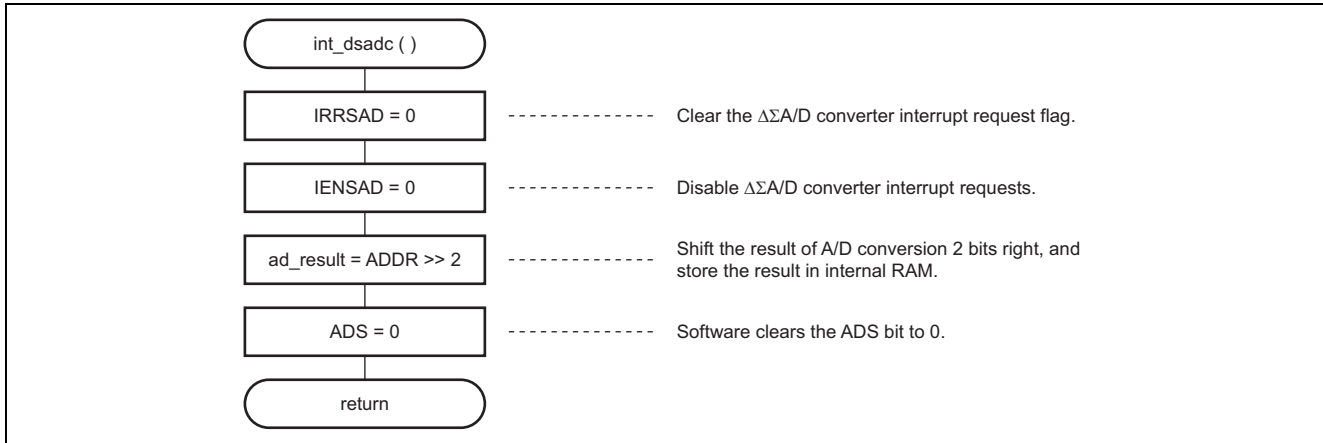
Section Name	Address
CVECT	H'0000
P	H'0100
B	H'F780

6. Flowcharts

6.1 Main routine



6.2 $\Delta\Sigma$ A/D converter interrupt processing routine



Website and Support

Renesas Technology Website
<http://www.renesas.com/>

Inquiries
<http://www.renesas.com/inquiry>
csc@renesas.com

Revision Record

Rev.	Date	Description	
		Page	Summary
1.00	Sep.05.06	—	First edition issued

Keep safety first in your circuit designs!

1. Renesas Technology Corp. puts the maximum effort into making semiconductor products better and more reliable, but there is always the possibility that trouble may occur with them. Trouble with semiconductors may lead to personal injury, fire or property damage. Remember to give due consideration to safety when making your circuit designs, with appropriate measures such as (i) placement of substitutive, auxiliary circuits, (ii) use of nonflammable material or (iii) prevention against any malfunction or mishap.

Notes regarding these materials

1. These materials are intended as a reference to assist our customers in the selection of the Renesas Technology Corp. product best suited to the customer's application; they do not convey any license under any intellectual property rights, or any other rights, belonging to Renesas Technology Corp. or a third party.
2. Renesas Technology Corp. assumes no responsibility for any damage, or infringement of any third-party's rights, originating in the use of any product data, diagrams, charts, programs, algorithms, or circuit application examples contained in these materials.
3. All information contained in these materials, including product data, diagrams, charts, programs and algorithms represents information on products at the time of publication of these materials, and are subject to change by Renesas Technology Corp. without notice due to product improvements or other reasons. It is therefore recommended that customers contact Renesas Technology Corp. or an authorized Renesas Technology Corp. product distributor for the latest product information before purchasing a product listed herein.
The information described here may contain technical inaccuracies or typographical errors. Renesas Technology Corp. assumes no responsibility for any damage, liability, or other loss rising from these inaccuracies or errors.
Please also pay attention to information published by Renesas Technology Corp. by various means, including the Renesas Technology Corp. Semiconductor home page (<http://www.renesas.com>).
4. When using any or all of the information contained in these materials, including product data, diagrams, charts, programs, and algorithms, please be sure to evaluate all information as a total system before making a final decision on the applicability of the information and products. Renesas Technology Corp. assumes no responsibility for any damage, liability or other loss resulting from the information contained herein.
5. Renesas Technology Corp. semiconductors are not designed or manufactured for use in a device or system that is used under circumstances in which human life is potentially at stake. Please contact Renesas Technology Corp. or an authorized Renesas Technology Corp. product distributor when considering the use of a product contained herein for any specific purposes, such as apparatus or systems for transportation, vehicular, medical, aerospace, nuclear, or undersea repeater use.
6. The prior written approval of Renesas Technology Corp. is necessary to reprint or reproduce in whole or in part these materials.
7. If these products or technologies are subject to the Japanese export control restrictions, they must be exported under a license from the Japanese government and cannot be imported into a country other than the approved destination.
Any diversion or reexport contrary to the export control laws and regulations of Japan and/or the country of destination is prohibited.
8. Please contact Renesas Technology Corp. for further details on these materials or the products contained therein.