
M32C/84, 85, 87, 88, 8A and 8B Groups

Data Reception Using the Serial Interface in
Clock Synchronous Mode

R01AN0702EJ0100
Rev. 1.00
Feb. 29, 2012

Abstract

This document describes how to receive data using the serial interface in clock synchronous mode.

Products

M32C/84 Group
M32C/85 Group
M32C/87 Group
M32C/88 Group
M32C/8A Group
M32C/8B Group

When using this application note with other Renesas MCUs, careful evaluation is recommended after making modifications to comply with the alternate MCU.

Contents

1.	Specifications	3
2.	Operation Confirmation Conditions	4
3.	Reference Application Note	4
4.	Hardware	4
4.1	Pins Used	4
5.	Software	5
5.1	Operation Overview	6
5.2	Constant	7
5.3	Variable	7
5.4	Flowcharts	8
5.4.1	Main Processing	8
5.4.2	UART0 Initial Setting	9
6.	Sample Code	10
7.	Reference Documents	10

1. Specifications

This document describes how to receive data from a transmitting device using the serial interface (UART0) in clock synchronous mode.

Table 1.1 lists the Peripheral Function and Its Application. Figure 1.1 shows a Connection Example.

Table 1.1 Peripheral Function and Its Application

Peripheral Function	Application
Serial interface (UART0)	Data reception

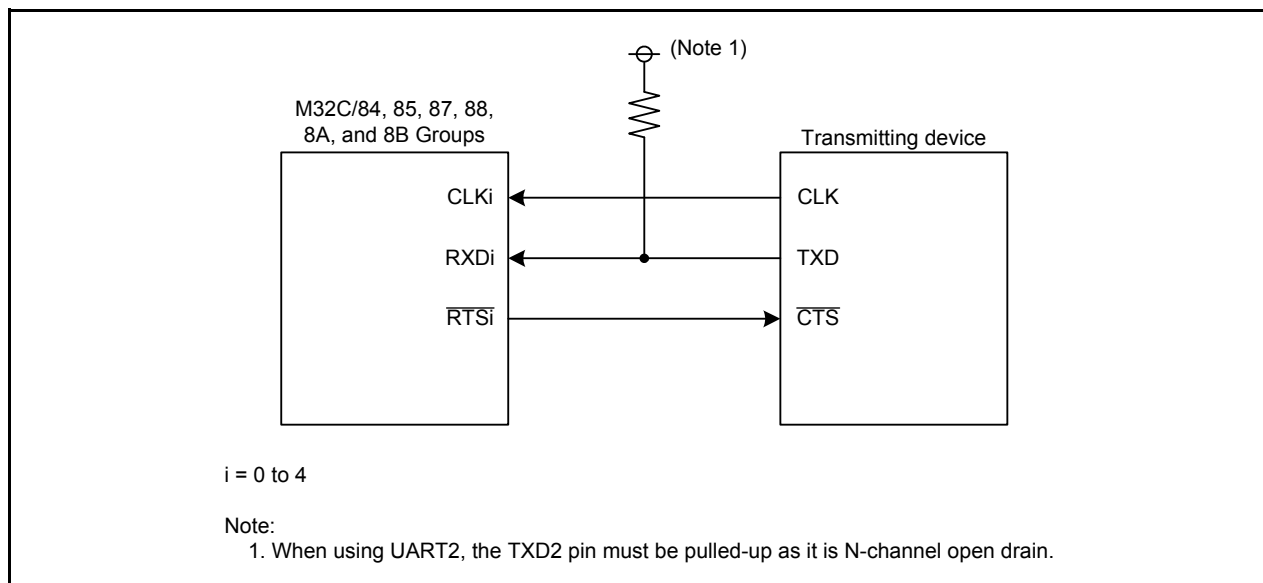


Figure 1.1 Connection Example

2. Operation Confirmation Conditions

The sample code accompanying this application note has been run and confirmed under the conditions below.

Table 2.1 Operation Confirmation Conditions

Item	Contents
MCU used	M3087BFLGP (M32C/87 Group)
Operating frequencies	<ul style="list-style-type: none"> • Main clock: 32 MHz • CPU clock: 32 MHz
Operating voltage	5 V
Integrated development environment	Renesas Electronics High-performance Embedded Workshop Version 4.08
C compiler	Renesas Electronics M32C Series Compiler V.5.42 Release 00 Compile options -D __STACKSIZE__=0X300 -D __ISTACKSIZE__=0X300 -DVECTOR_ADR=0x0fe0000 -D __E8__ -D __WORK_RAM__=0x100 -c -finfo -dir "\$(CONFIGDIR)" -M82 Default setting is used in the integrated development environment.
Operating mode	Single-chip mode
Sample code version	Version 1.00

3. Reference Application Note

The application note listed below is associated with this application note. Refer to the following application note for additional information.

- M32C/80 Series Data Transmission Using the Serial Interface in Clock Synchronous Mode (R01AN0701EJ0100)

4. Hardware

4.1 Pins Used

Table 4.1 lists the Pins Used and Their Functions.

Table 4.1 Pins Used and Their Functions

Pin Name	I/O	Function
P6_0/RTS0	Output	Output for controlling reception
P6_1/CLK0	Input	Clock input
P6_2/RXD0	Input	Serial data input

5. Software

This chapter explains the setting procedure for receiving data synchronized with an externally supplied transmit/receive clock using UART0 in clock synchronous mode.

The settings in this application note for data reception using clock synchronous mode are listed in Table 5.1.

Table 5.1 Settings

Item	Setting
Transfer mode	Clock synchronous mode
Transmit/receive clock	External clock
Reception control	RTS function
Bit order	LSB first
Continuous receive mode	Disabled
CLK polarity	Transmit data output at the falling edge and receive data input at the rising edge of the serial clock.
TXD and RXD I/O polarity inverse	Not inverted

To use the RTS output, set the port direction bits for the ports corresponding to the RTS pin, and set the function select register.

Table 5.2 lists the Pin Settings when Receiving Data in Clock Synchronous Mode Using the M32C/87 Group.

Table 5.2 Pin Settings when Receiving Data in Clock Synchronous Mode Using the M32C/87 Group

Channel	Pin	Bit Setting			
		Registers PD6, PD7, and PD9 (2)	Registers PSC and PSC3	Registers PSL0, PSL1, and PSL3	Registers PS0, PS1, and PS3 (1, 2)
UART0	P6_0/ $\overline{\text{RTS0}}$ output	—	—	PSL0_0 = 0	PS0_0 = 1
	P6_1/CLK0 input	PD6_1 = 0	—	—	PS0_1 = 0
	P6_2/RXD0 input	PD6_2 = 0	—	—	PS0_2 = 0
UART1	P6_4/ $\overline{\text{RTS1}}$ output	—	—	PSL0_4 = 0	PS0_4 = 1
	P6_5/CLK1 input	PD6_5 = 0	—	—	PS0_5 = 0
	P6_6/RXD1 input	PD6_6 = 0	—	—	PS0_6 = 0
UART2	P7_1/RXD2 input	PD7_1 = 0	—	—	PS1_1 = 0
	P7_2/CLK2 input	PD7_2 = 0	—	—	PS1_2 = 0
	P7_3/ $\overline{\text{RTS2}}$ output	—	PSC_3 = 0	PSL1_3 = 0	PS1_3 = 1
UART3	P9_0/CLK3 input	PD9_0 = 0	—	—	PS3_0 = 0
	P9_1/RXD3 input	PD9_1 = 0	—	—	PS3_1 = 0
	P9_3/ $\overline{\text{RTS3}}$ output	—	—	—	PS3_3 = 1
UART4	P9_4/ $\overline{\text{RTS4}}$ output	—	—	—	PS3_4 = 1
	P9_5/CLK4 input	PD9_5 = 0	—	PSL3_5 = 0	PS3_5 = 0
	P9_7/RXD4 input	PD9_7 = 0	—	—	PS3_7 = 0

Notes:

1. Set registers PS0, PS1, and PS3 after setting the other registers.
2. Set registers PD9 and PS3 immediately after the PRC2 bit in the PRCR register is set to 1 (write enable). Do not generate an interrupt or a DMA or DMAC II transfer between these two instructions.

5.1 Operation Overview

A description of the sample code operation is as follows:

(1) Reception enabled

After setting the TE bit in the U0C1 register to 1 (transmit operation enabled) and writing dummy data to the U0TB register, the data waits to be transmitted. At the same time, the $\overline{\text{RTS0}}$ pin becomes low, and the transmitting device is informed that the MCU is ready for reception. On the transmitting device, confirm that $\overline{\text{RTS}}$ output is low before outputting the transmit/receive clock.

(2) Reception started

The $\overline{\text{RTS0}}$ pin becomes high in synchronization with the first falling edge of the transmit/receive clock. The first bit of data from the RXD0 pin is received in synchronization with the rising edge of the first transmit/receive clock. From the second bit, data reception is synchronized with the rising edge of the transmit/receive clock.

(3) Reception completed

After the UART0 receive shift register receives 1 byte of data, data in the UART0 receive shift register is transferred to the U0RB register. At the same time, the RI bit in the U0C1 register becomes 1 (data in the U0RB register), reception complete is shown, and the IR bit in the S0RIC register becomes 1 (interrupt requested).

(4) Data is read

The RI bit becomes 0 (no data in the U0RB register) when the lower byte in the U0RB register is read. When dummy data is rewritten to the U0TB register, the data waits to be transmitted, and the output level of the $\overline{\text{RTS0}}$ pin becomes low.

Figure 5.1 shows the Timing Diagram.

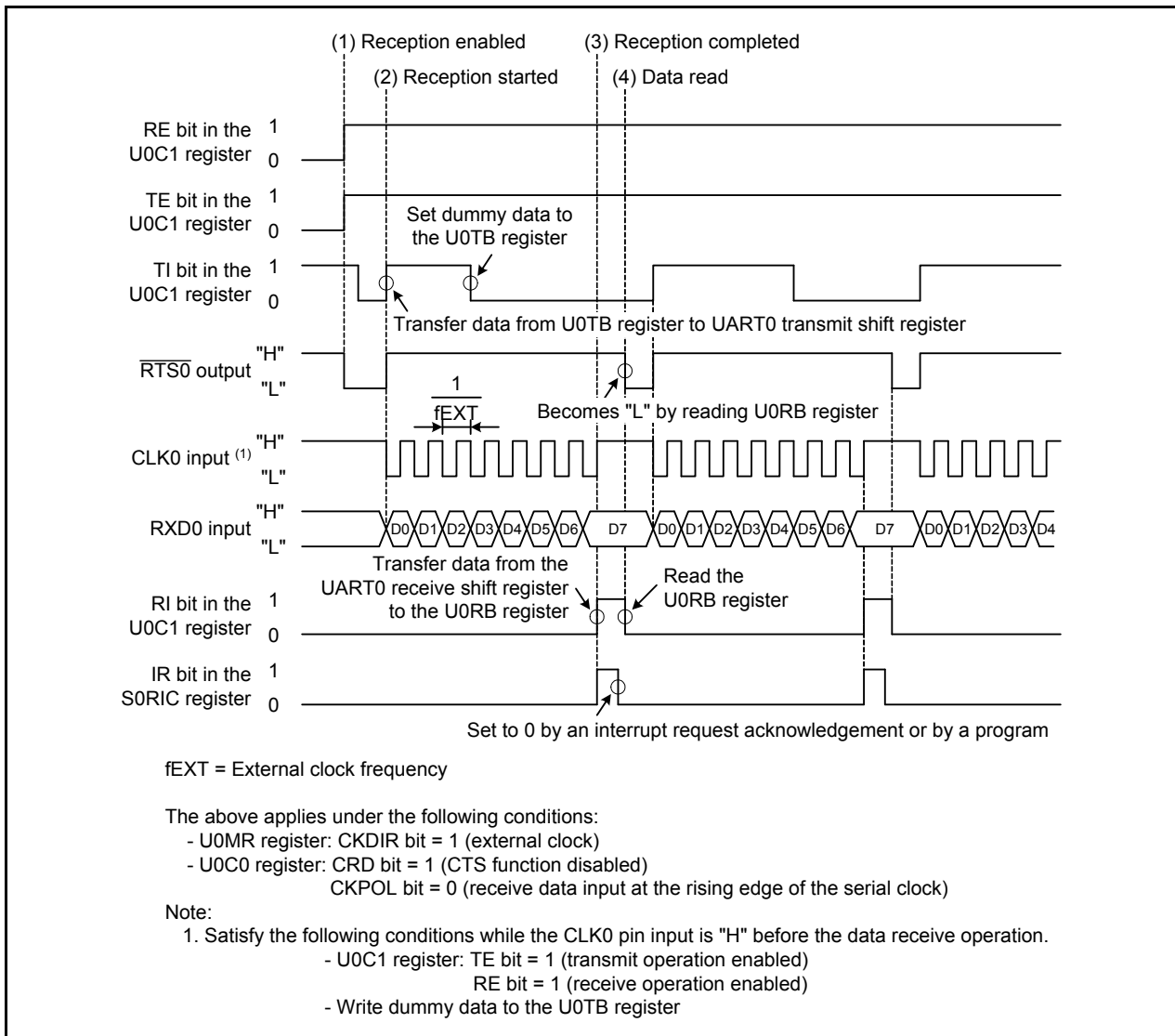


Figure 5.1 Timing Diagram

5.2 Constant

Table 5.3 lists the Constant Used in the Sample Code.

Table 5.3 Constant Used in the Sample Code

Constant Name	Setting Value	Contents
DUMMY_DATA	55h	Dummy data

5.3 Variable

Table 5.4 lists the Global Variable.

Table 5.4 Global Variable

Type	Variable Name	Contents	Function Used
unsigned short	rcv_data	Receive data	main()

5.4 Flowcharts

5.4.1 Main Processing

Figure 5.2 shows the Main Processing.

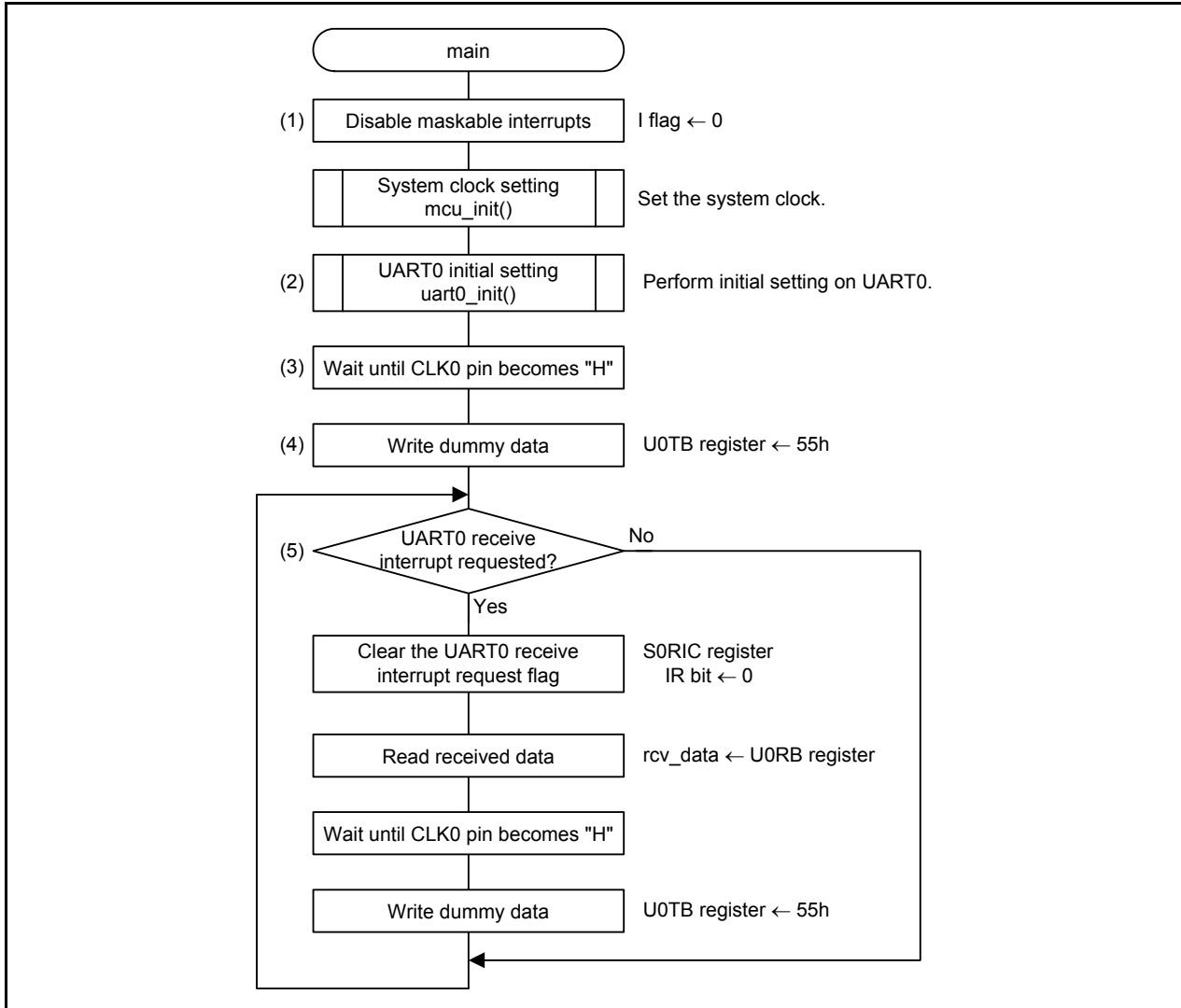


Figure 5.2 Main Processing

5.4.2 UART0 Initial Setting

Figure 5.3 shows the UART0 Initial Setting.

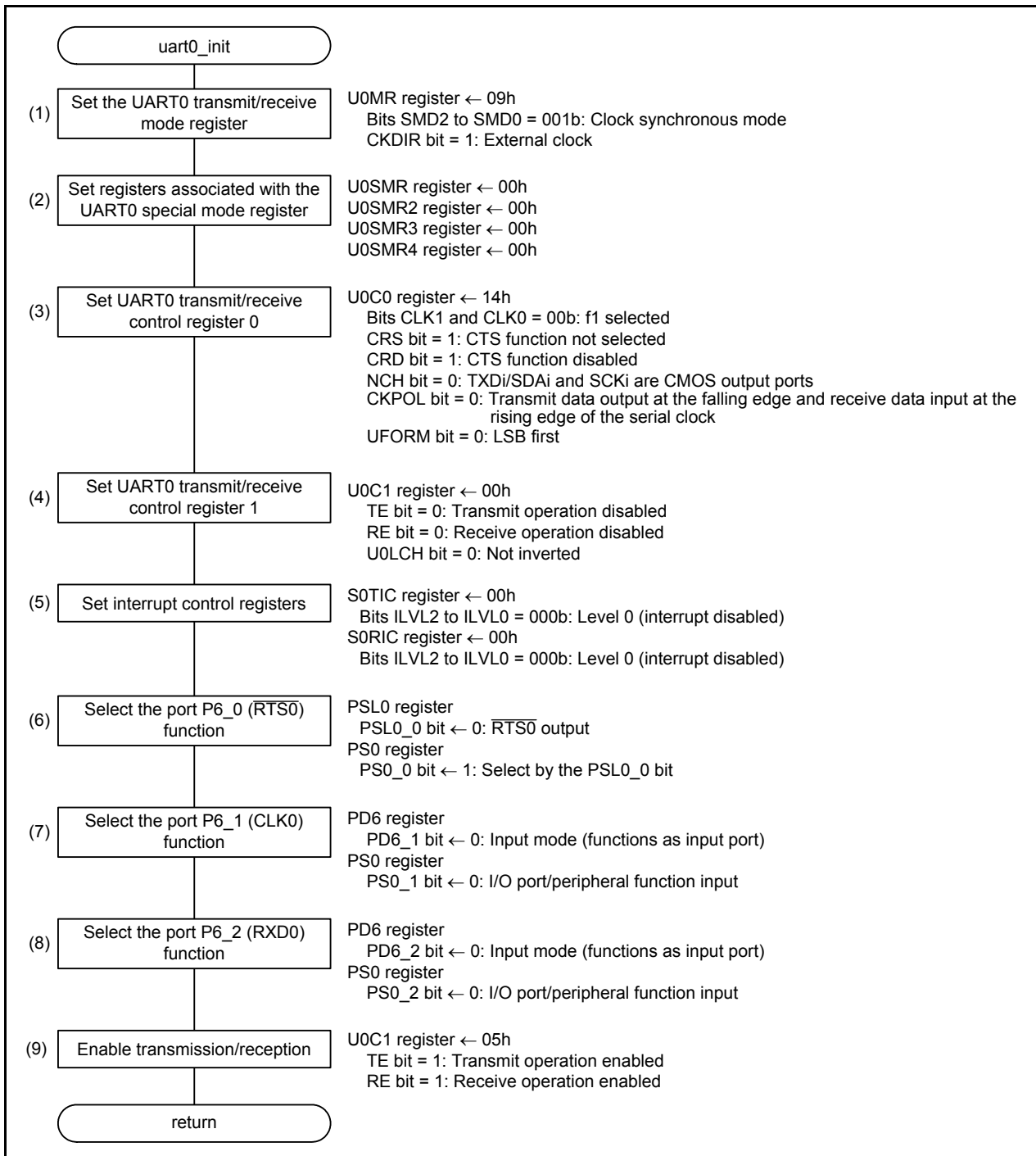


Figure 5.3 UART0 Initial Setting

6. Sample Code

Sample code can be downloaded from the Renesas Electronics website.

7. Reference Documents

M32C/84 Group (M32C/84, M32C/84T) User's Manual: Hardware Rev.1.01

M32C/85 Group (M32C/85, M32C/85T) User's Manual: Hardware Rev.1.03

M32C/87 Group (M32C/87, M32C/87A, M32C/87B) User's Manual: Hardware Rev.1.51

M32C/88 Group (M32C/88T) User's Manual: Hardware Rev.1.10

M32C/8A Group User's Manual: Hardware Rev.1.01

M32C/8B Group User's Manual: Hardware Rev.1.00

The latest versions can be downloaded from the Renesas Electronics website.

Technical Update/Technical News

The latest information can be downloaded from the Renesas Electronics website.

C Compiler Manual

M32C Series C Compiler Package V.5.42

C Compiler User's Manual Rev.2.00

The latest version can be downloaded from the Renesas Electronics website.

Website and Support

Renesas Electronics website

<http://www.renesas.com/>

Inquiries

<http://www.renesas.com/contact/>

Revision History	M32C/84, 85, 87, 88, 8A and 8B Groups Data Reception Using the Serial Interface in Clock Synchronous Mode
------------------	--

Rev.	Date	Description	
		Page	Summary
1.00	Feb. 29, 2012	—	First edition issued

All trademarks and registered trademarks are the property of their respective owners.

General Precautions in the Handling of MPU/MCU Products

The following usage notes are applicable to all MPU/MCU products from Renesas. For detailed usage notes on the products covered by this manual, refer to the relevant sections of the manual. If the descriptions under General Precautions in the Handling of MPU/MCU Products and in the body of the manual differ from each other, the description in the body of the manual takes precedence.

1. Handling of Unused Pins

Handle unused pins in accord with the directions given under Handling of Unused Pins in the manual.

- The input pins of CMOS products are generally in the high-impedance state. In operation with an unused pin in the open-circuit state, extra electromagnetic noise is induced in the vicinity of LSI, an associated shoot-through current flows internally, and malfunctions occur due to the false recognition of the pin state as an input signal become possible. Unused pins should be handled as described under Handling of Unused Pins in the manual.

2. Processing at Power-on

The state of the product is undefined at the moment when power is supplied.

- The states of internal circuits in the LSI are indeterminate and the states of register settings and pins are undefined at the moment when power is supplied.

In a finished product where the reset signal is applied to the external reset pin, the states of pins are not guaranteed from the moment when power is supplied until the reset process is completed.

In a similar way, the states of pins in a product that is reset by an on-chip power-on reset function are not guaranteed from the moment when power is supplied until the power reaches the level at which resetting has been specified.

3. Prohibition of Access to Reserved Addresses

Access to reserved addresses is prohibited.

- The reserved addresses are provided for the possible future expansion of functions. Do not access these addresses; the correct operation of LSI is not guaranteed if they are accessed.

4. Clock Signals

After applying a reset, only release the reset line after the operating clock signal has become stable. When switching the clock signal during program execution, wait until the target clock signal has stabilized.

- When the clock signal is generated with an external resonator (or from an external oscillator) during a reset, ensure that the reset line is only released after full stabilization of the clock signal. Moreover, when switching to a clock signal produced with an external resonator (or by an external oscillator) while program execution is in progress, wait until the target clock signal is stable.

5. Differences between Products

Before changing from one product to another, i.e. to one with a different part number, confirm that the change will not lead to problems.

- The characteristics of MPU/MCU in the same group but having different part numbers may differ because of the differences in internal memory capacity and layout pattern. When changing to products of different part numbers, implement a system-evaluation test for each of the products.

Notice

- All information included in this document is current as of the date this document is issued. Such information, however, is subject to change without any prior notice. Before purchasing or using any Renesas Electronics products listed herein, please confirm the latest product information with a Renesas Electronics sales office. Also, please pay regular and careful attention to additional and different information to be disclosed by Renesas Electronics such as that disclosed through our website.
- Renesas Electronics does not assume any liability for infringement of patents, copyrights, or other intellectual property rights of third parties by or arising from the use of Renesas Electronics products or technical information described in this document. No license, express, implied or otherwise, is granted hereby under any patents, copyrights or other intellectual property rights of Renesas Electronics or others.
- You should not alter, modify, copy, or otherwise misappropriate any Renesas Electronics product, whether in whole or in part.
- Descriptions of circuits, software and other related information in this document are provided only to illustrate the operation of semiconductor products and application examples. You are fully responsible for the incorporation of these circuits, software, and information in the design of your equipment. Renesas Electronics assumes no responsibility for any losses incurred by you or third parties arising from the use of these circuits, software, or information.
- When exporting the products or technology described in this document, you should comply with the applicable export control laws and regulations and follow the procedures required by such laws and regulations. You should not use Renesas Electronics products or the technology described in this document for any purpose relating to military applications or use by the military, including but not limited to the development of weapons of mass destruction. Renesas Electronics products and technology may not be used for or incorporated into any products or systems whose manufacture, use, or sale is prohibited under any applicable domestic or foreign laws or regulations.
- Renesas Electronics has used reasonable care in preparing the information included in this document, but Renesas Electronics does not warrant that such information is error free. Renesas Electronics assumes no liability whatsoever for any damages incurred by you resulting from errors in or omissions from the information included herein.
- Renesas Electronics products are classified according to the following three quality grades: "Standard", "High Quality", and "Specific". The recommended applications for each Renesas Electronics product depends on the product's quality grade, as indicated below. You must check the quality grade of each Renesas Electronics product before using it in a particular application. You may not use any Renesas Electronics product for any application categorized as "Specific" without the prior written consent of Renesas Electronics. Further, you may not use any Renesas Electronics product for any application for which it is not intended without the prior written consent of Renesas Electronics. Renesas Electronics shall not be in any way liable for any damages or losses incurred by you or third parties arising from the use of any Renesas Electronics product for an application categorized as "Specific" or for which the product is not intended where you have failed to obtain the prior written consent of Renesas Electronics. The quality grade of each Renesas Electronics product is "Standard" unless otherwise expressly specified in a Renesas Electronics data sheets or data books, etc.
"Standard": Computers; office equipment; communications equipment; test and measurement equipment; audio and visual equipment; home electronic appliances; machine tools; personal electronic equipment; and industrial robots.
"High Quality": Transportation equipment (automobiles, trains, ships, etc.); traffic control systems; anti-disaster systems; anti-crime systems; safety equipment; and medical equipment not specifically designed for life support.
"Specific": Aircraft; aerospace equipment; submersible repeaters; nuclear reactor control systems; medical equipment or systems for life support (e.g. artificial life support devices or systems), surgical implantations, or healthcare intervention (e.g. excision, etc.), and any other applications or purposes that pose a direct threat to human life.
- You should use the Renesas Electronics products described in this document within the range specified by Renesas Electronics, especially with respect to the maximum rating, operating supply voltage range, movement power voltage range, heat radiation characteristics, installation and other product characteristics. Renesas Electronics shall have no liability for malfunctions or damages arising out of the use of Renesas Electronics products beyond such specified ranges.
- Although Renesas Electronics endeavors to improve the quality and reliability of its products, semiconductor products have specific characteristics such as the occurrence of failure at a certain rate and malfunctions under certain use conditions. Further, Renesas Electronics products are not subject to radiation resistance design. Please be sure to implement safety measures to guard them against the possibility of physical injury, and injury or damage caused by fire in the event of the failure of a Renesas Electronics product, such as safety design for hardware and software including but not limited to redundancy, fire control and malfunction prevention, appropriate treatment for aging degradation or any other appropriate measures. Because the evaluation of microcomputer software alone is very difficult, please evaluate the safety of the final products or system manufactured by you.
- Please contact a Renesas Electronics sales office for details as to environmental matters such as the environmental compatibility of each Renesas Electronics product. Please use Renesas Electronics products in compliance with all applicable laws and regulations that regulate the inclusion or use of controlled substances, including without limitation, the EU RoHS Directive. Renesas Electronics assumes no liability for damages or losses occurring as a result of your noncompliance with applicable laws and regulations.
- This document may not be reproduced or duplicated, in any form, in whole or in part, without prior written consent of Renesas Electronics.
- Please contact a Renesas Electronics sales office if you have any questions regarding the information contained in this document or Renesas Electronics products, or if you have any other inquiries.
(Note 1) "Renesas Electronics" as used in this document means Renesas Electronics Corporation and also includes its majority-owned subsidiaries.
(Note 2) "Renesas Electronics product(s)" means any product developed or manufactured by or for Renesas Electronics.



SALES OFFICES

Renesas Electronics Corporation

<http://www.renesas.com>

Refer to "<http://www.renesas.com/>" for the latest and detailed information.

Renesas Electronics America Inc.
2880 Scott Boulevard Santa Clara, CA 95050-2554, U.S.A.
Tel: +1-408-588-6000, Fax: +1-408-588-6130

Renesas Electronics Canada Limited
1101 Nicholson Road, Newmarket, Ontario L3Y 9C3, Canada
Tel: +1-905-898-5441, Fax: +1-905-898-3220

Renesas Electronics Europe Limited
Dukes Meadow, Millboard Road, Bourne End, Buckinghamshire, SL8 5FH, U.K.
Tel: +44-1628-585-100, Fax: +44-1628-585-900

Renesas Electronics Europe GmbH
Arcadiastrasse 10, 40472 Düsseldorf, Germany
Tel: +49-211-65030, Fax: +49-211-6503-1327

Renesas Electronics (China) Co., Ltd.
7th Floor, Quantum Plaza, No.27 ZhiChunLu Haidian District, Beijing 100083, P.R.China
Tel: +86-10-8235-1155, Fax: +86-10-8235-7679

Renesas Electronics (Shanghai) Co., Ltd.
Unit 204, 205, AZIA Center, No.1233 Lujiazui Ring Rd., Pudong District, Shanghai 200120, China
Tel: +86-21-5877-1818, Fax: +86-21-6887-7858 / -7898

Renesas Electronics Hong Kong Limited
Unit 1601-1613, 16/F., Tower 2, Grand Century Place, 193 Prince Edward Road West, Mongkok, Kowloon, Hong Kong
Tel: +852-2886-9318, Fax: +852 2886-9022/9044

Renesas Electronics Taiwan Co., Ltd.
13F, No. 363, Fu Shing North Road, Taipei, Taiwan
Tel: +886-2-8175-9600, Fax: +886 2-8175-9670

Renesas Electronics Singapore Pte. Ltd.
1 HarbourFront Avenue, #06-10, Keppel Bay Tower, Singapore 098632
Tel: +65-6213-0200, Fax: +65-6278-8001

Renesas Electronics Malaysia Sdn.Bhd.
Unit 906, Block B, Menara Amcorp, Amcorp Trade Centre, No. 18, Jin Persiaran Barat, 46050 Petaling Jaya, Selangor Darul Ehsan, Malaysia
Tel: +60-3-7955-9390, Fax: +60-3-7955-9510

Renesas Electronics Korea Co., Ltd.
11F., Samik Lavied' or Bldg., 720-2 Yeoksam-Dong, Kangnam-Ku, Seoul 135-080, Korea
Tel: +82-2-558-3737, Fax: +82-2-558-5141