

To our customers,

Old Company Name in Catalogs and Other Documents

On April 1st, 2010, NEC Electronics Corporation merged with Renesas Technology Corporation, and Renesas Electronics Corporation took over all the business of both companies. Therefore, although the old company name remains in this document, it is a valid Renesas Electronics document. We appreciate your understanding.

Renesas Electronics website: <http://www.renesas.com>

April 1st, 2010
Renesas Electronics Corporation

Issued by: Renesas Electronics Corporation (<http://www.renesas.com>)

Send any inquiries to <http://www.renesas.com/inquiry>.

Notice

1. All information included in this document is current as of the date this document is issued. Such information, however, is subject to change without any prior notice. Before purchasing or using any Renesas Electronics products listed herein, please confirm the latest product information with a Renesas Electronics sales office. Also, please pay regular and careful attention to additional and different information to be disclosed by Renesas Electronics such as that disclosed through our website.
2. Renesas Electronics does not assume any liability for infringement of patents, copyrights, or other intellectual property rights of third parties by or arising from the use of Renesas Electronics products or technical information described in this document. No license, express, implied or otherwise, is granted hereby under any patents, copyrights or other intellectual property rights of Renesas Electronics or others.
3. You should not alter, modify, copy, or otherwise misappropriate any Renesas Electronics product, whether in whole or in part.
4. Descriptions of circuits, software and other related information in this document are provided only to illustrate the operation of semiconductor products and application examples. You are fully responsible for the incorporation of these circuits, software, and information in the design of your equipment. Renesas Electronics assumes no responsibility for any losses incurred by you or third parties arising from the use of these circuits, software, or information.
5. When exporting the products or technology described in this document, you should comply with the applicable export control laws and regulations and follow the procedures required by such laws and regulations. You should not use Renesas Electronics products or the technology described in this document for any purpose relating to military applications or use by the military, including but not limited to the development of weapons of mass destruction. Renesas Electronics products and technology may not be used for or incorporated into any products or systems whose manufacture, use, or sale is prohibited under any applicable domestic or foreign laws or regulations.
6. Renesas Electronics has used reasonable care in preparing the information included in this document, but Renesas Electronics does not warrant that such information is error free. Renesas Electronics assumes no liability whatsoever for any damages incurred by you resulting from errors in or omissions from the information included herein.
7. Renesas Electronics products are classified according to the following three quality grades: “Standard”, “High Quality”, and “Specific”. The recommended applications for each Renesas Electronics product depends on the product’s quality grade, as indicated below. You must check the quality grade of each Renesas Electronics product before using it in a particular application. You may not use any Renesas Electronics product for any application categorized as “Specific” without the prior written consent of Renesas Electronics. Further, you may not use any Renesas Electronics product for any application for which it is not intended without the prior written consent of Renesas Electronics. Renesas Electronics shall not be in any way liable for any damages or losses incurred by you or third parties arising from the use of any Renesas Electronics product for an application categorized as “Specific” or for which the product is not intended where you have failed to obtain the prior written consent of Renesas Electronics. The quality grade of each Renesas Electronics product is “Standard” unless otherwise expressly specified in a Renesas Electronics data sheets or data books, etc.
 - “Standard”: Computers; office equipment; communications equipment; test and measurement equipment; audio and visual equipment; home electronic appliances; machine tools; personal electronic equipment; and industrial robots.
 - “High Quality”: Transportation equipment (automobiles, trains, ships, etc.); traffic control systems; anti-disaster systems; anti-crime systems; safety equipment; and medical equipment not specifically designed for life support.
 - “Specific”: Aircraft; aerospace equipment; submersible repeaters; nuclear reactor control systems; medical equipment or systems for life support (e.g. artificial life support devices or systems), surgical implantations, or healthcare intervention (e.g. excision, etc.), and any other applications or purposes that pose a direct threat to human life.
8. You should use the Renesas Electronics products described in this document within the range specified by Renesas Electronics, especially with respect to the maximum rating, operating supply voltage range, movement power voltage range, heat radiation characteristics, installation and other product characteristics. Renesas Electronics shall have no liability for malfunctions or damages arising out of the use of Renesas Electronics products beyond such specified ranges.
9. Although Renesas Electronics endeavors to improve the quality and reliability of its products, semiconductor products have specific characteristics such as the occurrence of failure at a certain rate and malfunctions under certain use conditions. Further, Renesas Electronics products are not subject to radiation resistance design. Please be sure to implement safety measures to guard them against the possibility of physical injury, and injury or damage caused by fire in the event of the failure of a Renesas Electronics product, such as safety design for hardware and software including but not limited to redundancy, fire control and malfunction prevention, appropriate treatment for aging degradation or any other appropriate measures. Because the evaluation of microcomputer software alone is very difficult, please evaluate the safety of the final products or system manufactured by you.
10. Please contact a Renesas Electronics sales office for details as to environmental matters such as the environmental compatibility of each Renesas Electronics product. Please use Renesas Electronics products in compliance with all applicable laws and regulations that regulate the inclusion or use of controlled substances, including without limitation, the EU RoHS Directive. Renesas Electronics assumes no liability for damages or losses occurring as a result of your noncompliance with applicable laws and regulations.
11. This document may not be reproduced or duplicated, in any form, in whole or in part, without prior written consent of Renesas Electronics.
12. Please contact a Renesas Electronics sales office if you have any questions regarding the information contained in this document or Renesas Electronics products, or if you have any other inquiries.

(Note 1) “Renesas Electronics” as used in this document means Renesas Electronics Corporation and also includes its majority-owned subsidiaries.

(Note 2) “Renesas Electronics product(s)” means any product developed or manufactured by or for Renesas Electronics.

M16C/60, M16C/Tiny, M32C/80

Frequency Modulated Waveform Generation Using DMA Using IAR

C-Compiler

Introduction

This application note explains how to create a periodical waveform using M32C or M16C family DMA channels (Direct Memory Access). Typical applications could be sound generation or carrier signal generation (for modems as example).

The application generates a frequency modulation of a sinus periodic curve. The periodic curve is 8bit resolution and 64 samples per period. The sinus is modulated with 3 frequency steps which are 10KHZ, 20KHZ and 30KHZ.

The M16C62P and M32C devices have 2 digital to analog converters (DA0 and DA1) that can directly output analog signals. DA0 is selected to output the sinus wave. On devices not having a digital to analog peripheral, one timer in PWM mode can realize similar features but requires additional external filtering.

Contents

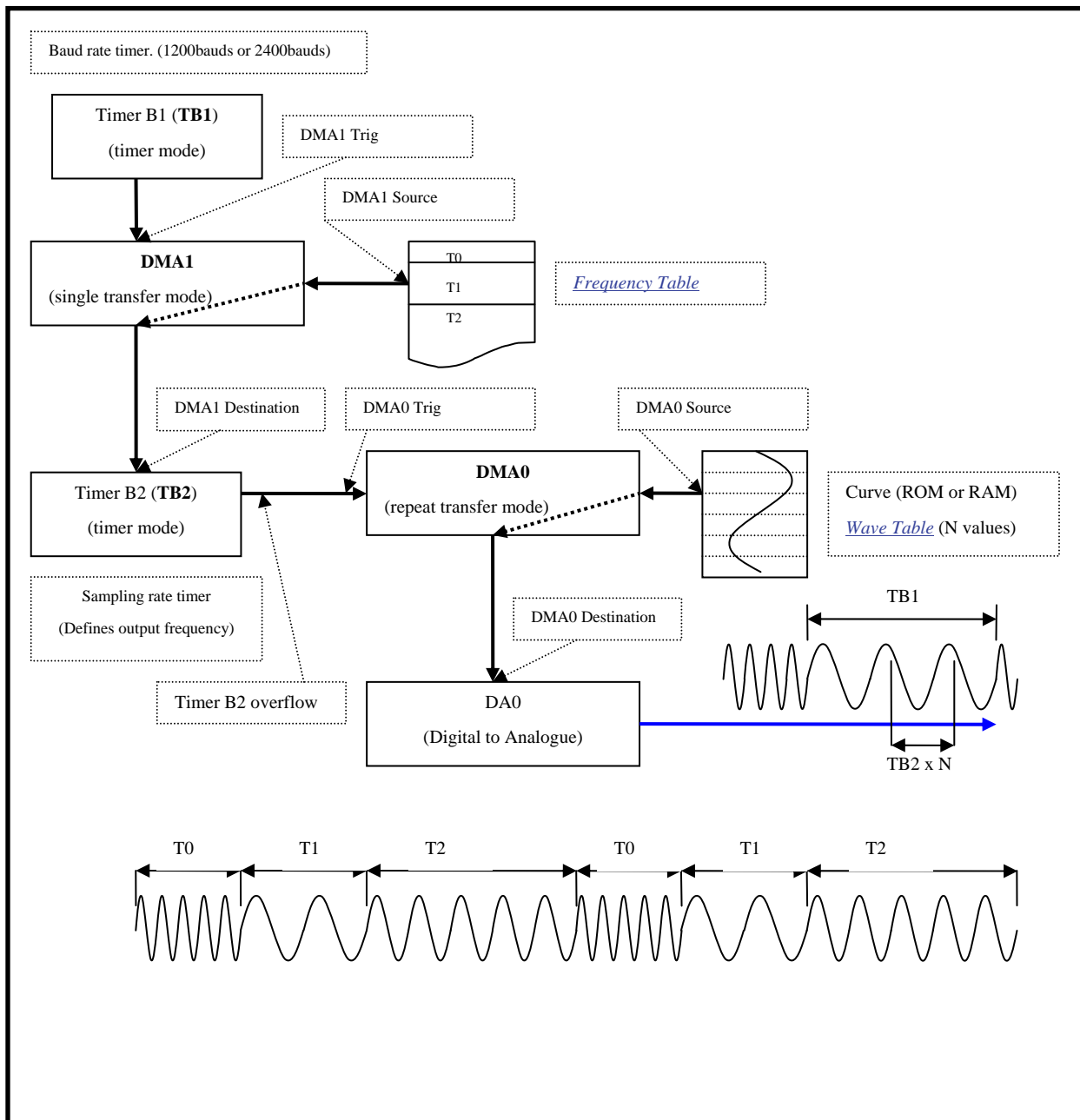
FREQUENCY MODULATED WAVEFORM GENERATION USING DMA USING IAR C-COMPILER	1
INTRODUCTION	1
CONTENTS	1
PERIPHERAL USAGE AND SETTINGS.....	2
M16C DMA OPERATION.	3
DIGITAL TO ANALOG OPERATION.	4
CONCLUSION.....	4
CODE LISTING.....	5
WEBSITE AND SUPPORT	5

Peripheral usage and settings.

The block diagram below shows the different peripherals in use and their settings.

The DA0 (Digital to Analog output 0) contents are loaded by DMA0 (Direct Memory Access channel 0) transferred from a memory table containing the sinus 64 values. Timer B2 (TB2) defines the curve sampling period. The output signal period is the product of TB2 period by the number of samples (ie TB2 runs 64 times faster than sinus curve period).

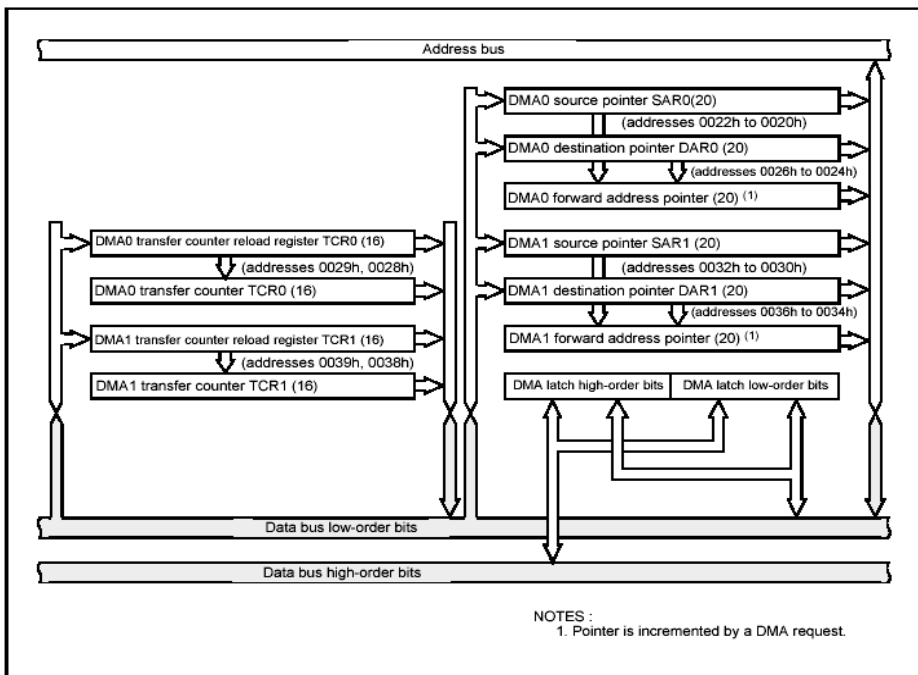
Timer B2 (TB2) value is set by DMA transfer from the Frequency Table each time Timer B1 (TB1) overflows. This means the duration at a defined frequency is defined by TB1 re-load value.



M16C DMA operation.

All M16C devices have at least two DMA channels (DMA0 and DMA1). DMA's role is to transfer a certain amount of data (defined by software) from a source to a destination triggered by some event. To achieve this each DMA channel has its own source register (20bit address), destination register (also 20bits) and count register (16bits) along with configuration registers.

The DMA source and/or destination can be any location inside the M16C, it could be either RAM or Flash or SFR register. DMA block diagram is bellow.



The DMA channel only accepts source or destination increment (not both at same time).

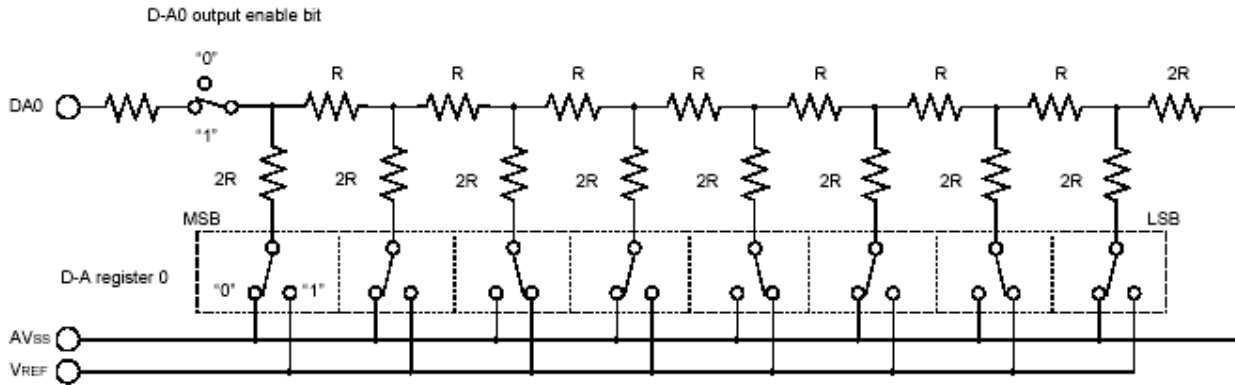
DMA's are used in repeat mode with fixed destination and forward source which means that the source pointer is incremented after each DMA transfer. When the transfer counter (TCR_i) reaches zero the source pointer and the transfer counter are automatically reloaded with their SFR reload register values and process continues.

The DMA0 channel source points to the Wave Table that contains the data to be set for each curve sampling cycle, the destination is the DA0 register and the number of transfers is defined by the curve number of samples (64 in this example).

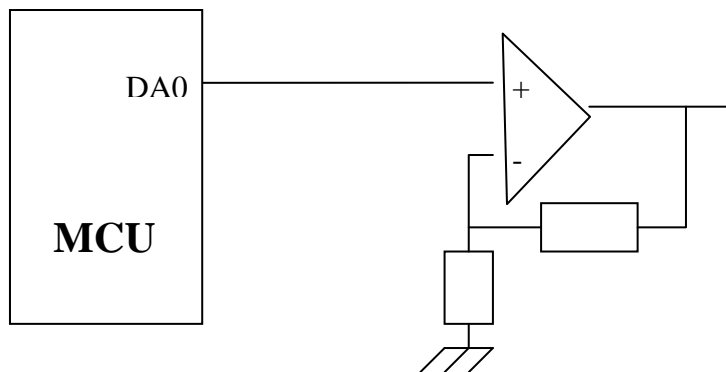
DMA1 source points to the Frequency table that contains the duration at each frequency step; the destination is the Timer B2 reload register.

Digital to Analog operation.

The DA converter is made of R/2R resistor network with 8bit resolution. As the DA output is not buffered it is mandatory to check external impedance in order to get a correct signal levels.



External operational amplifier should be added external before sending the signal to low impedance devices as shown below.



Conclusion.

This software allows generating frequency modulated analog signals.

The CPU usage is limited to peripheral initialisation, the CPU is left free for customer application.

Appendix

Code listing

```
// -----
// Calculates the sinus curve and sets the frequency table
// -----
// Input Parameters :      None
// -----
// Returned Parameters :  None
// -----
// Modified globales:     Wave_Table and Frequencies_Table contents
// -----
void Calculate_Tables(void)
{
  char i;
  for(i=0;i!= NB_STEPS_MAIN;i++)
    Wave[i] = 128.0 + 127.0*sin((2.0*__PI*i)/NB_STEPS_MAIN);
    Frequency[0] = T0;
    Frequency[1] = T1;
    Frequency[2] = T2;}
// -----
// Initialises M16C62P peripherals and loops in a dummy loop.
// -----
// Input Parameters :      None
// -----
// Returned Parameters :  None
// -----
// Modified globales:     None
// -----
void main (void)
{
  init();
  Calculate_Tables();// Just an example how to create a sinus table (if re-calculation)
  timer_b1_init_timer_mode(); // Timer used for Baud rate setting
  timer_b1_set(30);           // Define speed for Frequency scan
  dma1_repeat_mode((char __far*)Frequency,(char __far*)&TB2,sizeof(Frequency)/2);
  dma0_repeat_mode((char __far*)Wave,(char __far*)&DA0,sizeof(Wave));
  timer_b2_init_timer_mode(); // Wave table sampling timer
  timer_b2_set(Frequency[0]);
  timer_b2_start();           // Start Timer B2 (trig source for Timer A3)
  timer_b1_start();           // Start Timer A3 (One shot timer)
  dma0_start();               // Allow DMA
  dma1_start();
  dac_0_start();
  for(;;) ;                   // Never ending loop
}
```

Website and Support

Renesas Technology Website

<http://www.renesas.com/>

Inquiries

<http://www.renesas.com/inquiry>

csc@renesas.com

All trademarks and registered trademarks are the property of their respective owners.

Notes regarding these materials

1. This document is provided for reference purposes only so that Renesas customers may select the appropriate Renesas products for their use. Renesas neither makes warranties or representations with respect to the accuracy or completeness of the information contained in this document nor grants any license to any intellectual property rights or any other rights of Renesas or any third party with respect to the information in this document.
2. Renesas shall have no liability for damages or infringement of any intellectual property or other rights arising out of the use of any information in this document, including, but not limited to, product data, diagrams, charts, programs, algorithms, and application circuit examples.
3. You should not use the products or the technology described in this document for the purpose of military applications such as the development of weapons of mass destruction or for the purpose of any other military use. When exporting the products or technology described herein, you should follow the applicable export control laws and regulations, and procedures required by such laws and regulations.
4. All information included in this document such as product data, diagrams, charts, programs, algorithms, and application circuit examples, is current as of the date this document is issued. Such information, however, is subject to change without any prior notice. Before purchasing or using any Renesas products listed in this document, please confirm the latest product information with a Renesas sales office. Also, please pay regular and careful attention to additional and different information to be disclosed by Renesas such as that disclosed through our website. (<http://www.renesas.com>)
5. Renesas has used reasonable care in compiling the information included in this document, but Renesas assumes no liability whatsoever for any damages incurred as a result of errors or omissions in the information included in this document.
6. When using or otherwise relying on the information in this document, you should evaluate the information in light of the total system before deciding about the applicability of such information to the intended application. Renesas makes no representations, warranties or guaranties regarding the suitability of its products for any particular application and specifically disclaims any liability arising out of the application and use of the information in this document or Renesas products.
7. With the exception of products specified by Renesas as suitable for automobile applications, Renesas products are not designed, manufactured or tested for applications or otherwise in systems the failure or malfunction of which may cause a direct threat to human life or create a risk of human injury or which require especially high quality and reliability such as safety systems, or equipment or systems for transportation and traffic, healthcare, combustion control, aerospace and aeronautics, nuclear power, or undersea communication transmission. If you are considering the use of our products for such purposes, please contact a Renesas sales office beforehand. Renesas shall have no liability for damages arising out of the uses set forth above.
8. Notwithstanding the preceding paragraph, you should not use Renesas products for the purposes listed below:
 - (1) artificial life support devices or systems
 - (2) surgical implantations
 - (3) healthcare intervention (e.g., excision, administration of medication, etc.)
 - (4) any other purposes that pose a direct threat to human life
 Renesas shall have no liability for damages arising out of the uses set forth in the above and purchasers who elect to use Renesas products in any of the foregoing applications shall indemnify and hold harmless Renesas Technology Corp., its affiliated companies and their officers, directors, and employees against any and all damages arising out of such applications.
9. You should use the products described herein within the range specified by Renesas, especially with respect to the maximum rating, operating supply voltage range, movement power voltage range, heat radiation characteristics, installation and other product characteristics. Renesas shall have no liability for malfunctions or damages arising out of the use of Renesas products beyond such specified ranges.
10. Although Renesas endeavors to improve the quality and reliability of its products, IC products have specific characteristics such as the occurrence of failure at a certain rate and malfunctions under certain use conditions. Please be sure to implement safety measures to guard against the possibility of physical injury, and injury or damage caused by fire in the event of the failure of a Renesas product, such as safety design for hardware and software including but not limited to redundancy, fire control and malfunction prevention, appropriate treatment for aging degradation or any other applicable measures. Among others, since the evaluation of microcomputer software alone is very difficult, please evaluate the safety of the final products or system manufactured by you.
11. In case Renesas products listed in this document are detached from the products to which the Renesas products are attached or affixed, the risk of accident such as swallowing by infants and small children is very high. You should implement safety measures so that Renesas products may not be easily detached from your products. Renesas shall have no liability for damages arising out of such detachment.
12. This document may not be reproduced or duplicated, in any form, in whole or in part, without prior written approval from Renesas.
13. Please contact a Renesas sales office if you have any questions regarding the information contained in this document, Renesas semiconductor products, or if you have any other inquiries.