

To our customers,

Old Company Name in Catalogs and Other Documents

On April 1st, 2010, NEC Electronics Corporation merged with Renesas Technology Corporation, and Renesas Electronics Corporation took over all the business of both companies. Therefore, although the old company name remains in this document, it is a valid Renesas Electronics document. We appreciate your understanding.

Renesas Electronics website: <http://www.renesas.com>

April 1st, 2010
Renesas Electronics Corporation

Issued by: Renesas Electronics Corporation (<http://www.renesas.com>)

Send any inquiries to <http://www.renesas.com/inquiry>.

Notice

1. All information included in this document is current as of the date this document is issued. Such information, however, is subject to change without any prior notice. Before purchasing or using any Renesas Electronics products listed herein, please confirm the latest product information with a Renesas Electronics sales office. Also, please pay regular and careful attention to additional and different information to be disclosed by Renesas Electronics such as that disclosed through our website.
2. Renesas Electronics does not assume any liability for infringement of patents, copyrights, or other intellectual property rights of third parties by or arising from the use of Renesas Electronics products or technical information described in this document. No license, express, implied or otherwise, is granted hereby under any patents, copyrights or other intellectual property rights of Renesas Electronics or others.
3. You should not alter, modify, copy, or otherwise misappropriate any Renesas Electronics product, whether in whole or in part.
4. Descriptions of circuits, software and other related information in this document are provided only to illustrate the operation of semiconductor products and application examples. You are fully responsible for the incorporation of these circuits, software, and information in the design of your equipment. Renesas Electronics assumes no responsibility for any losses incurred by you or third parties arising from the use of these circuits, software, or information.
5. When exporting the products or technology described in this document, you should comply with the applicable export control laws and regulations and follow the procedures required by such laws and regulations. You should not use Renesas Electronics products or the technology described in this document for any purpose relating to military applications or use by the military, including but not limited to the development of weapons of mass destruction. Renesas Electronics products and technology may not be used for or incorporated into any products or systems whose manufacture, use, or sale is prohibited under any applicable domestic or foreign laws or regulations.
6. Renesas Electronics has used reasonable care in preparing the information included in this document, but Renesas Electronics does not warrant that such information is error free. Renesas Electronics assumes no liability whatsoever for any damages incurred by you resulting from errors in or omissions from the information included herein.
7. Renesas Electronics products are classified according to the following three quality grades: “Standard”, “High Quality”, and “Specific”. The recommended applications for each Renesas Electronics product depends on the product’s quality grade, as indicated below. You must check the quality grade of each Renesas Electronics product before using it in a particular application. You may not use any Renesas Electronics product for any application categorized as “Specific” without the prior written consent of Renesas Electronics. Further, you may not use any Renesas Electronics product for any application for which it is not intended without the prior written consent of Renesas Electronics. Renesas Electronics shall not be in any way liable for any damages or losses incurred by you or third parties arising from the use of any Renesas Electronics product for an application categorized as “Specific” or for which the product is not intended where you have failed to obtain the prior written consent of Renesas Electronics. The quality grade of each Renesas Electronics product is “Standard” unless otherwise expressly specified in a Renesas Electronics data sheets or data books, etc.
 - “Standard”: Computers; office equipment; communications equipment; test and measurement equipment; audio and visual equipment; home electronic appliances; machine tools; personal electronic equipment; and industrial robots.
 - “High Quality”: Transportation equipment (automobiles, trains, ships, etc.); traffic control systems; anti-disaster systems; anti-crime systems; safety equipment; and medical equipment not specifically designed for life support.
 - “Specific”: Aircraft; aerospace equipment; submersible repeaters; nuclear reactor control systems; medical equipment or systems for life support (e.g. artificial life support devices or systems), surgical implantations, or healthcare intervention (e.g. excision, etc.), and any other applications or purposes that pose a direct threat to human life.
8. You should use the Renesas Electronics products described in this document within the range specified by Renesas Electronics, especially with respect to the maximum rating, operating supply voltage range, movement power voltage range, heat radiation characteristics, installation and other product characteristics. Renesas Electronics shall have no liability for malfunctions or damages arising out of the use of Renesas Electronics products beyond such specified ranges.
9. Although Renesas Electronics endeavors to improve the quality and reliability of its products, semiconductor products have specific characteristics such as the occurrence of failure at a certain rate and malfunctions under certain use conditions. Further, Renesas Electronics products are not subject to radiation resistance design. Please be sure to implement safety measures to guard them against the possibility of physical injury, and injury or damage caused by fire in the event of the failure of a Renesas Electronics product, such as safety design for hardware and software including but not limited to redundancy, fire control and malfunction prevention, appropriate treatment for aging degradation or any other appropriate measures. Because the evaluation of microcomputer software alone is very difficult, please evaluate the safety of the final products or system manufactured by you.
10. Please contact a Renesas Electronics sales office for details as to environmental matters such as the environmental compatibility of each Renesas Electronics product. Please use Renesas Electronics products in compliance with all applicable laws and regulations that regulate the inclusion or use of controlled substances, including without limitation, the EU RoHS Directive. Renesas Electronics assumes no liability for damages or losses occurring as a result of your noncompliance with applicable laws and regulations.
11. This document may not be reproduced or duplicated, in any form, in whole or in part, without prior written consent of Renesas Electronics.
12. Please contact a Renesas Electronics sales office if you have any questions regarding the information contained in this document or Renesas Electronics products, or if you have any other inquiries.

(Note 1) “Renesas Electronics” as used in this document means Renesas Electronics Corporation and also includes its majority-owned subsidiaries.

(Note 2) “Renesas Electronics product(s)” means any product developed or manufactured by or for Renesas Electronics.

R32C/100 Series

Entering Low-speed Mode

1. Abstract

This document describes and shows an example of exiting PLL mode (high-speed mode) and entering low-speed mode.

2. Introduction

The application described in this document applies to the following MCU:

- MCU: R32C/118 Group

This program can be used with other R32C/100 Series MCUs which have the same special function registers (SFRs) as the R32C/118 Group. Check the manual for any additions or modifications to functions. Careful evaluation is recommended before using this application note.

3. Overview

The MCU exits PLL mode (high-speed mode) and enters low-speed mode by changing the BCS bit in the CCR to 1 (see the figure below).

- In PLL mode (high-speed mode), the CPU operates at the maximum operating frequency. The PLL clock divided by 2 is the base clock, and the base clock and CPU clock have the same frequency.
- In low-speed mode, a low-speed clock is used as the base clock source. A low-speed clock can be selected from the main clock divided by 256, the sub clock, and the on-chip oscillator clock divided by 4.

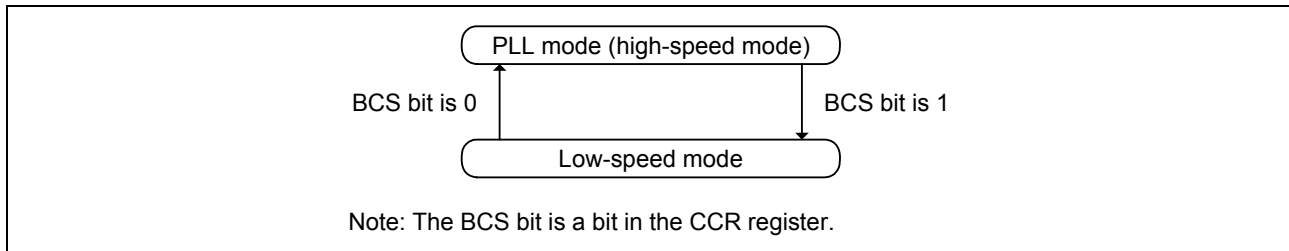


Figure 3.1 Entering Low-speed Mode

4. Settings

This section describes how to exit PLL mode (high-speed mode) and enter low-speed mode.

4.1 Operating Clock

The table below shows the required clock settings.

Table 4.1 Clock Settings

Item	PLL Mode (High-speed Mode)	Low-speed Mode
Main clock (16 MHz)	Oscillating	
Sub clock (32.768 kHz)	Stopped	Oscillating
PLL clock frequency	100 MHz	
Base clock source	PLL clock divided by 2	Sub clock
Base clock frequency	50 MHz	32.768 kHz
CPU clock division ratio	No division	
Peripheral bus clock division ratio	Divided by 2	
Peripheral function clock source division ratio	Divided by 4	
On-chip oscillator	Stopped	

The block diagram for the base clock source is below. Bit settings for setting the base clock source are in Table 4.2.

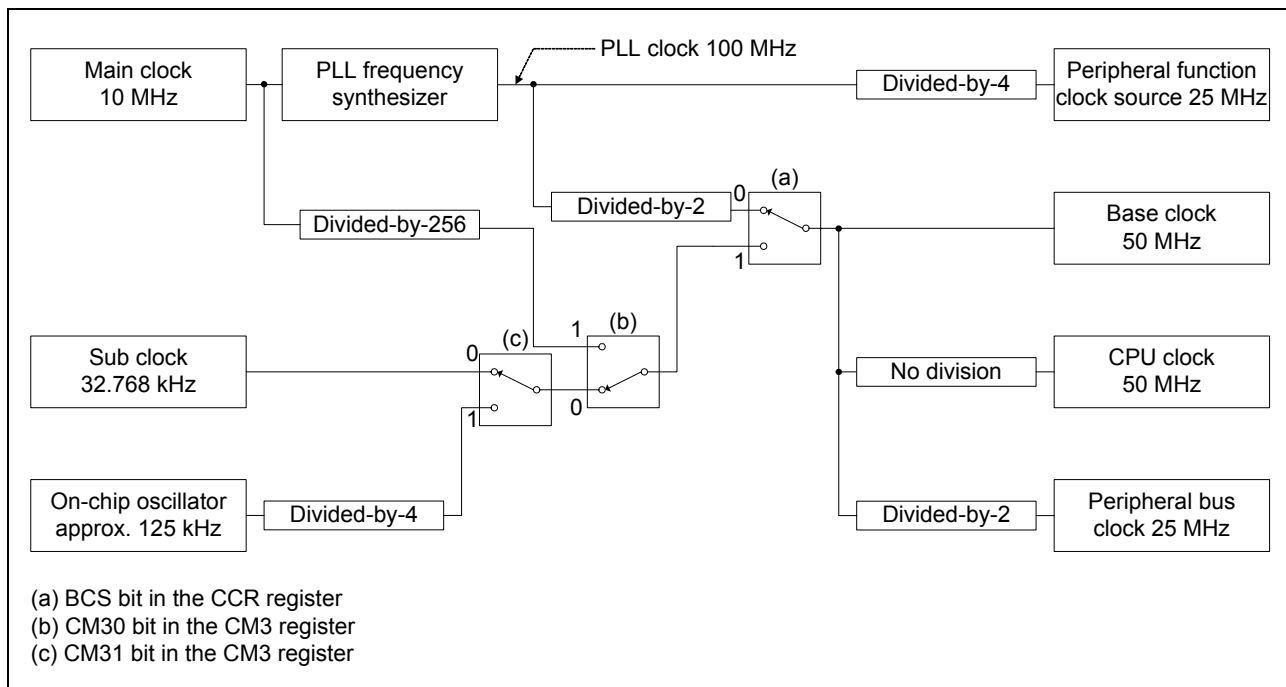


Figure 4.1 Base Clock Source Block Diagram

Table 4.2 Base Clock Source Bit Settings

Register	Bit Symbol	Value	Description
CCR	BCS	1	Select fC, fOCO4, or f256 as the base clock source
CM3	CM30	00b	Select fC as the base clock source (supplemental: fC is selected as the base clock by the low-speed mode base clock select bit)
	CM31		

4.2 Notes on Settings

(1) Rewriting the base clock select bit

When setting the BCS bit (base clock source select bit) in the CCR register to 1, rewrite addresses 0004h to 0007h in 32-bit units.

The asm function is used in this application note. When using an asm function in C, make a statement as in the following example of setting the BCS bit:

```
asm("OR.L #00000080h,00000004h");
```

(2) Using the sub clock

Set the CM04 bit in the CM0 register to 1 (XCIN-XCOUT oscillate function), and wait for sub clock oscillation to stabilize before setting the CM3 register to 00h (fC), and the BCS bit in the CCR register to 1 (fC, fOCO4, or f256).

(3) Sub clock stabilization wait time

Set sub clock oscillation wait time to conform to the user board and oscillator. Below is an example of using timer A0 to measure the sub clock stabilization wait time. The timer cycle is set to 50 ms, and a 1 s wait time is measured by detecting twenty underflows. The following table shows the settings for timer A0.

Table 4.3 Timer A0 Settings

Timer	Operating Mode	Count Source Division Ratio	Count Source	f2n Division Ratio	f2n Clock Source
Timer A0	Timer mode	40000 (1)	f2n	n = 10	Main clock (16 MHz)

Note:

- This value corresponds to a wait time of 100 ms. Use the formula below to calculate wait time.
Wait time = time for one count source × count source division ratio

$$\frac{2 \times 10}{16 \times 10^6} \times 40000 = 0.05 \text{ sec. (50 ms)}$$

(4) Rewriting protected registers

Registers set in this application note (PM2, CM0, CM3, and CCR) are protected by the protect register. (see table below for details)

The protect function protects important registers from being unintentionally rewritten due to a program runaway. After deasserting the protect function, protected registers can be rewritten.

Table 4.4 The Protect Register and Protected Registers

Register	Write Disabled/Enabled	Protected Registers
PRCR	PRC0 Bit 0: Write disabled 1: Write enabled	CM0 to CM2, and PM3
	PRC1 Bit 0: Write disabled 1: Write enabled	PM0, PM2, CSOP0 to CSOP2, INVC0, INVC1, IOBC and I2CMR
	PRC2 Bit 0: Write disabled 1: Write enabled	PD9, P9_iS (i = 0 to 7), PLC0, and PLC1
PRCR2	PRC27 Bit 0: Write disabled 1: Write enabled	CM3
PRCR3	PRC31 Bit 0: Write disabled 1: Write enabled	VRCR, LVDC, and DVCR
PRR	b7 to b0 Value other than AAh: Write disabled AAh: Write enabled	CCR, FMCR, PBC, FEBC0, FEBC3, EBC0 to EBC3, CB01, CB12, and CB23

4.3 Overview of Settings

The figure below shows the steps for exiting PLL mode (high-speed mode) and entering low-speed mode. Refer to section 4.4 “Detailed Settings” for detailed settings.

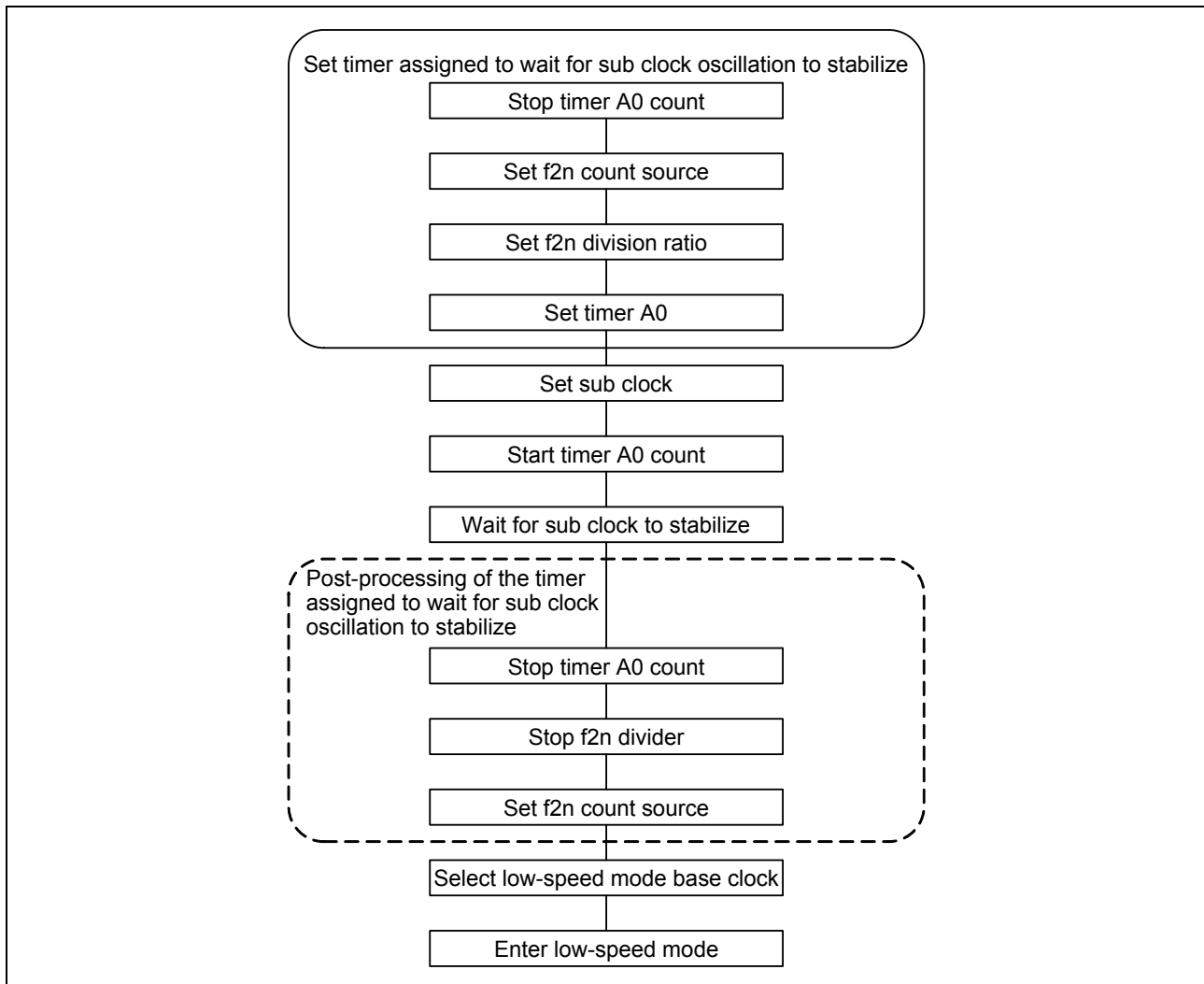
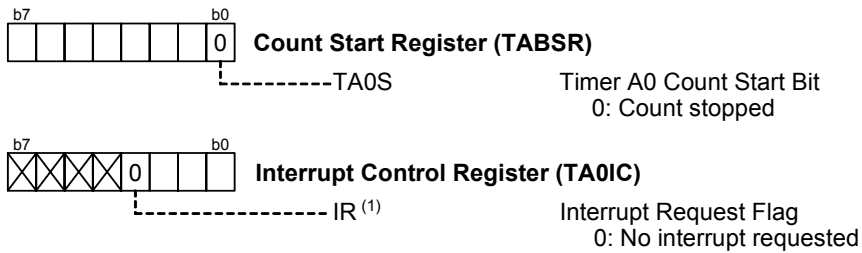


Figure 4.2 Entering Low-speed Mode from PLL Mode

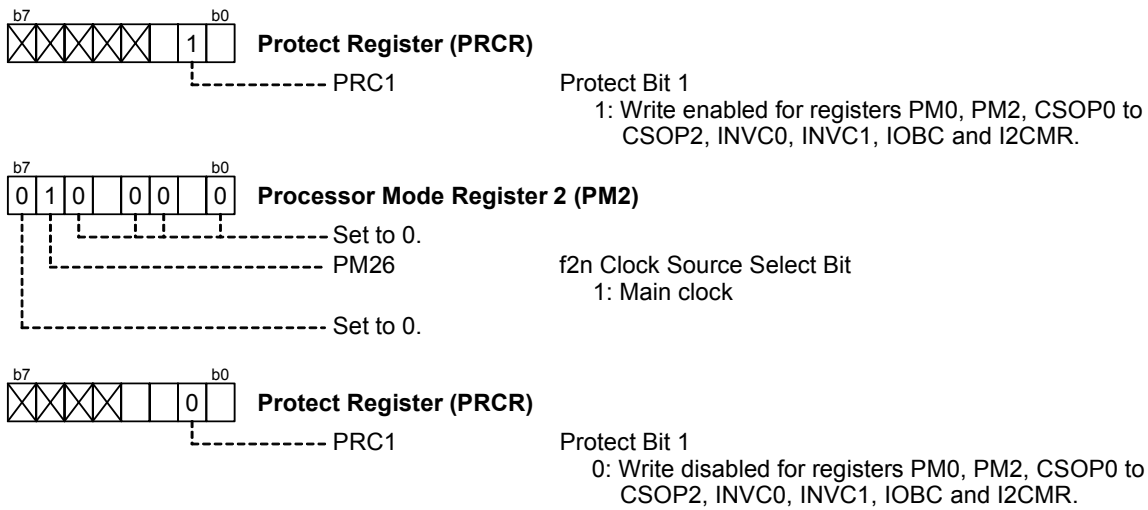
4.4 Detailed Settings

(1) Stop the timer A0 count.



Note:
1. Set this bit to 0.

(2) Set the f2n count source.

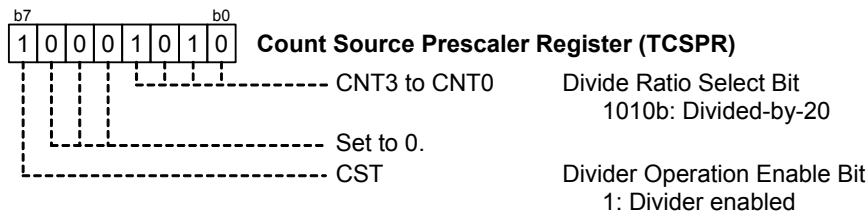
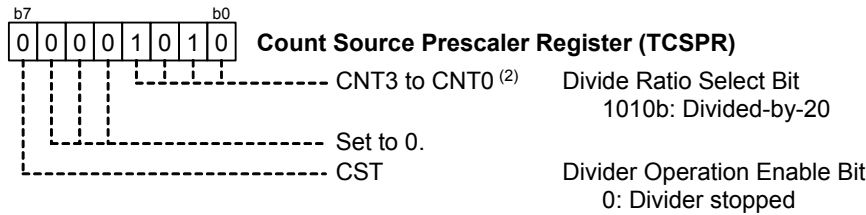
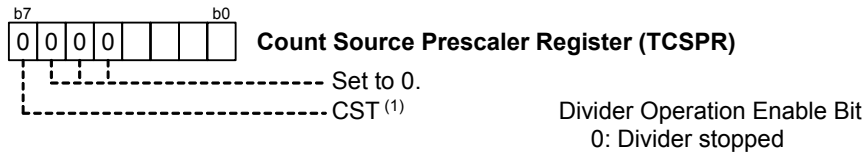


Note:
1. After setting this bit to 1 (write enabled), make sure to set it to 0 (write disabled).

Continued on next page

Continued from previous page

(3) Set the f_{2n} division ratio.



Notes:

1. Set this bit to 0 (divider stopped) before rewriting bits CNT3 to CNT0.
2. Assuming the value for these bits is n, the main clock or PLL clock divided by 2n becomes f_{2n}. When n = 0, there is no division.

Continued on next page

Continued from previous page

(4) Set timer A0.

<div style="display: flex; justify-content: space-between; font-size: 8px;"> b7 b0 </div> <div style="display: flex; align-items: center; gap: 5px;"> 1 0 0 0 0 0 0 0 </div>	Timer A0 Mode Register (TA0MR)
	TMOD1 to TMOD0 Operation Mode Select Bit 00b: Timer mode
	Set to 0.
	MR2 to MR1 Gate Function Select Bit 00b: No gate function
	MR3 Set to 0.
	TCK1 to TCK0 Count Source Select Bit 10b: f2n

<div style="display: flex; justify-content: space-between; font-size: 8px;"> b15 b0 </div> <div style="display: flex; align-items: center; gap: 5px;"> 39999 </div>	Timer A0 Register (TA0) ⁽¹⁾
	Timer Mode 39999: Divided by 40000

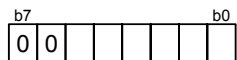
Notes:

1. Write to/Read this register in 16-bit units.
2. Set wait time to conform to the user board and oscillator.

Continued on next page

Continued from previous page

(5) Set the sub clock.



Port P8 Direction Register Register (PD8)

PD8_6 Port P8_6 Direction Bit
0: Input port

PD8_7 Port P8_7 Direction Bit
0: Input port



Protect Register (PRCR)

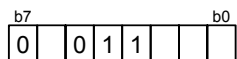
b4 to b0 Set to 0.
PU25 P8_4 to P8_7 Pull-up Control Bit
0: No pull-up

b7 Set to 0.



Protect Register (PRCR)

PRC0 Protect Bit 0
1: Write enabled for registers CM0, CM1, CM2, and PM3



System Clock Control Register 0 (CM0)

CM03 XCIN-XCOUT Drive Level Select Bit
1: High

CM04 Port XC Switch Bit
1: XCIN-XCOUT oscillation function

CM05 Main Clock (XIN-XCOUT) Stop Bit
1: Oscillating

Set to 0.



Protect Register (PRCR)

PRC0⁽¹⁾ Protect Bit 0
1: Write disabled for registers CM0, CM1, CM2, and PM3

Note:

1. Set this bit to 0 (write disabled) after setting it to 1 (write enabled).

Continued on next page

(6) Start the timer A0 count.

Count Start Register (TABSR)

Timer A0 Count Start Bit
1: Count started

(7) Wait for sub clock oscillation to stabilize. The counter increments each time the IR bit in the TA0IC register becomes 1, until it reaches the specified value.

Timer A0 Interrupt Control Register (TA0IC)

Interrupt Request Flag
0: No interrupt requested
1: Interrupt requested

(8) Stop the timer A0 count.

Count Start Register (TABSR)

Timer A0 Count Start Bit
0: Count stopped

(9) Stop the f2n divider.

Count Source Prescaler Register (TCSPR)

Divider Enable Bit
0: Divider stopped

Continued on next page

Continued from previous page

(10) Set the f2n count source.

Protect Register (PRCR)
 Bit b1 (PRC1) is set to 1.
 Protect Bit 1
 1: Write enabled for registers PM0, PM2, CSOP0 to CSOP2, INVC0, INVC1, IOBC and I2CMR

Processor Mode Register 2 (PM2)
 Bits b7 to b0 are set to 0.
 PM26 (bits b6 to b0) is set to 0.
 f2n Clock Source Select Bit
 0: Peripheral function clock source

Protect Register (PRCR)
 Bit b1 (PRC1⁽¹⁾) is set to 0.
 Protect Bit 1
 0: Write disabled for registers PM0, PM2, CSOP0 to CSOP2, INVC0, INVC1, IOBC and I2CMR

Note:
 1. This bit must be set to 0 (write disabled) after setting it to 1 (write enabled).

(11) Select the low-speed mode base clock.

Protect Register 2 (PRCR2)
 Bit b7 (PRC27) is set to 1.
 b6 to b0 are set to 0.
 CM3 Protect Bit
 1: CM3 register write enabled

Low-speed Mode Clock Control Register (CM3)
 Bits b31 and b30 (CM31 and CM30) are set to 00b (fC).
 Bits b7 to b2 are set to 0.
 Low-speed Mode Base Clock Select Bit
 00b: fC

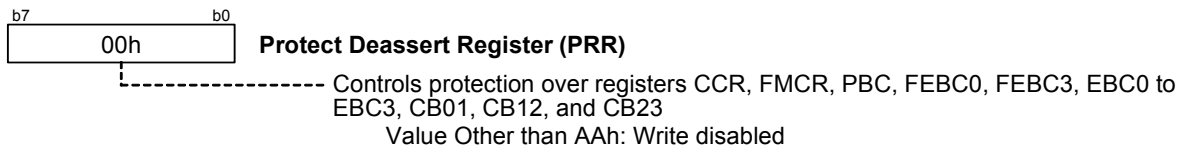
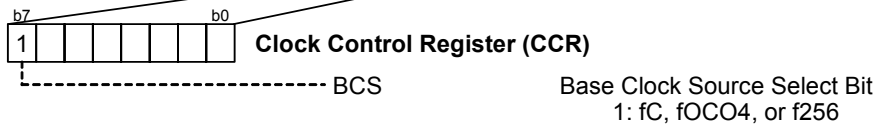
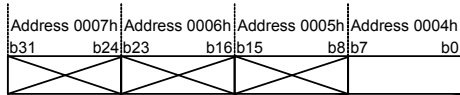
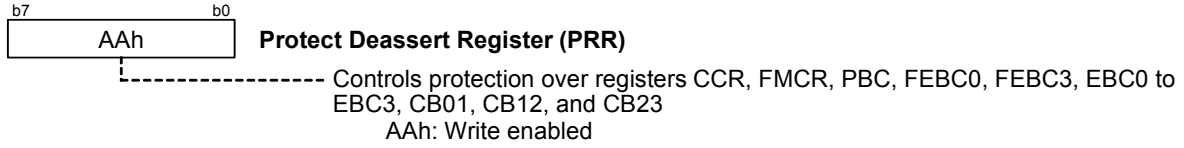
Protect Register 2 (PRCR2)
 Bit b7 (PRC27⁽¹⁾) is set to 0.
 b6 to b0 are set to 0.
 CM3 Protect Bit
 0: CM3 register write disabled

Note:
 1. This bit must be set to 0 (write disabled) after setting it to 1 (write enabled).

Continued on next page

Continued from previous page

(12) Enter low-speed mode.



Notes:

1. When setting this bit to 1, write to addresses 0004h to 0007h in 32-bit units.
2. After setting this register to AAh (write enabled), it must be rewritten with a value other than AAh (write disabled).

5. Sample Program

A sample program can be downloaded from the Renesas Technology website.

5.1 Explanation

In the sample program, while the sub clock is oscillating, after entering slow-speed mode from PLL mode (high-speed mode), the MCU switches between PLL mode (high-speed mode) and low-speed mode in 3 sec. intervals. The program is configured to output H to the P0_7 bit in PLL mode (high-speed mode) and output L to the P0_7 bit in low-speed mode.

In the sample program, timer A0 is used to secure the wait time (1 sec.) from when the sub clock is oscillated until it becomes stabilized. Timer A1 counts the time between switching from PLL mode to low-speed mode, and is measured in 3 sec. intervals.

The table below shows the timer A0 and A1 settings in the sample program. Figure 5.1 shows an example of sample program operation.

Table 5.1 Timer A0 and A1 Settings in the Sample Program

Item	Timer A0	Timer A1
Operating mode	Timer mode	Timer mode
Count source division ratio	40000	1024
Count source	f2n (n = 10)	fC32
f2n clock source	Main clock (16 MHz)	N/A
Timer cycle	50 ms	1 sec.
Application	Used to measure the wait time until the sub clock stabilizes.	Used as the counter for counting the time between switching modes.

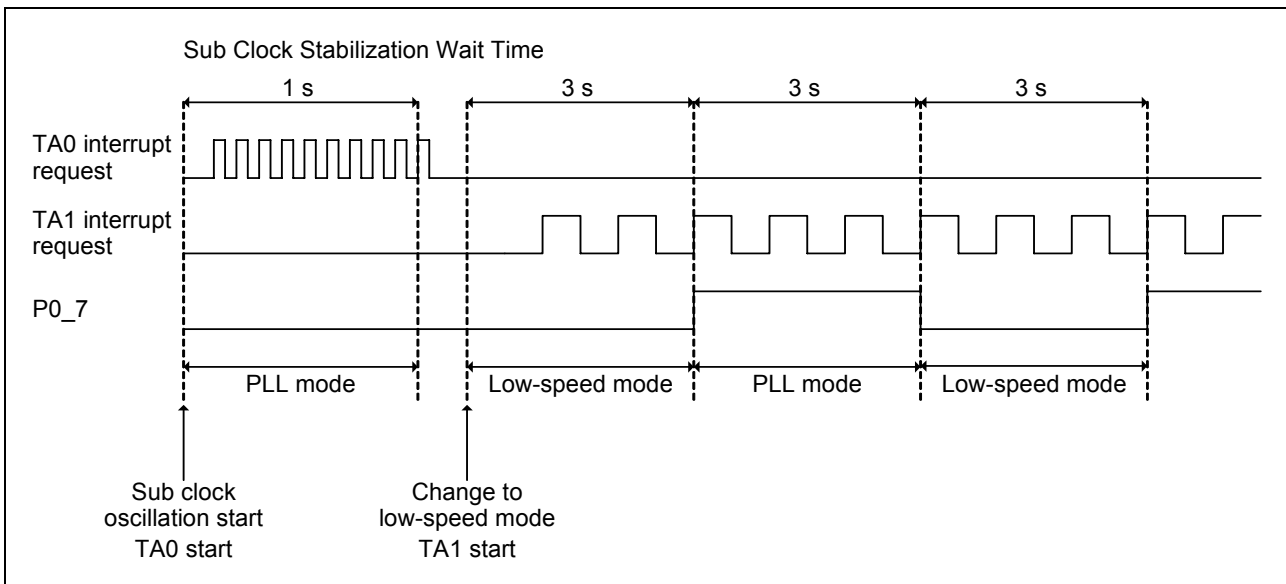


Figure 5.1 Operation of the Sample Program

5.2 Flowcharts

The sample program is comprised of a main function, a sub clock stabilization wait function, and a timer A1 interrupt function. In the following flowcharts, numbers in parenthesis ((1) to (23)) correspond to the sample program flow numbers.

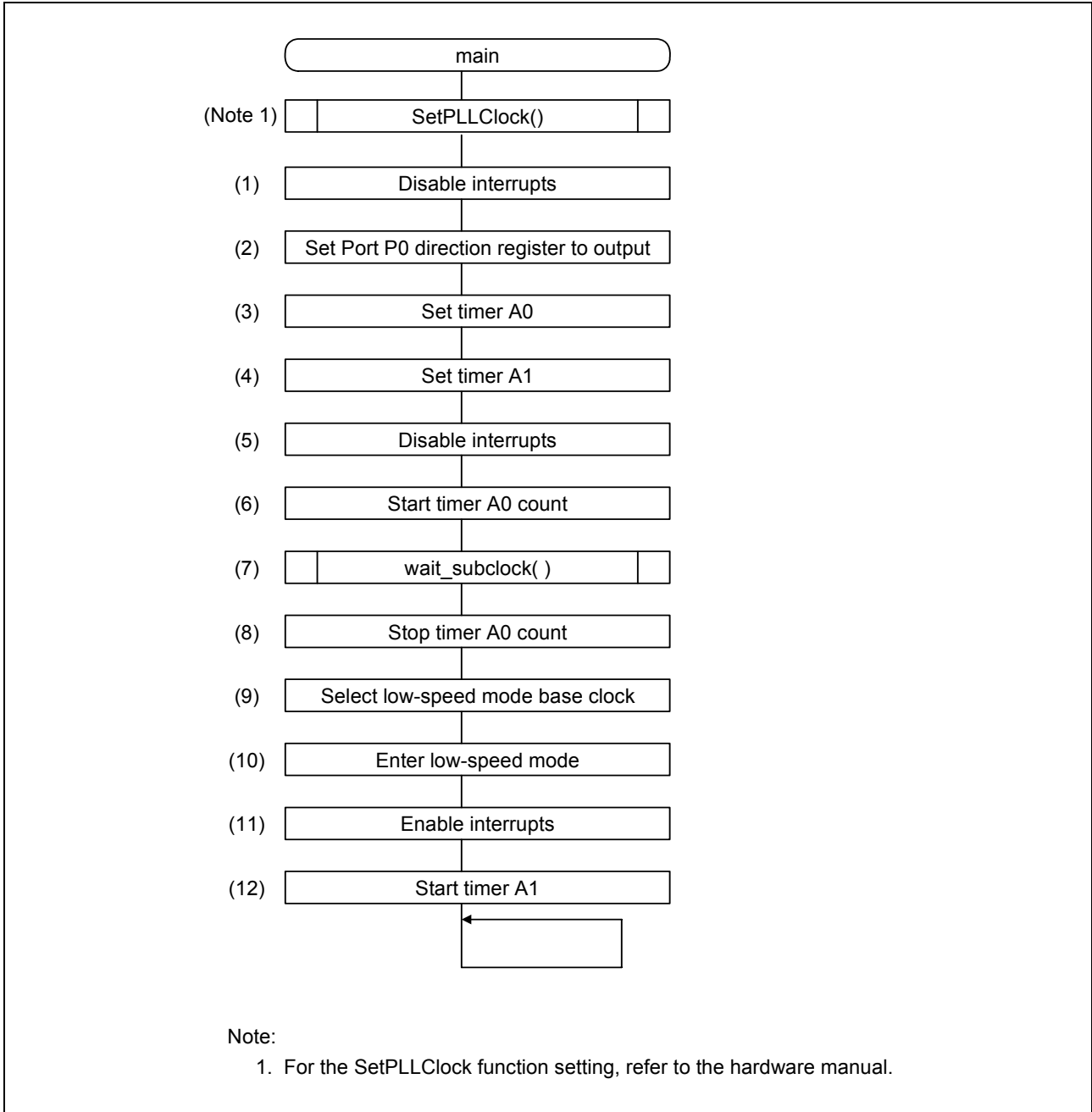


Figure 5.2 Main Function Flowchart

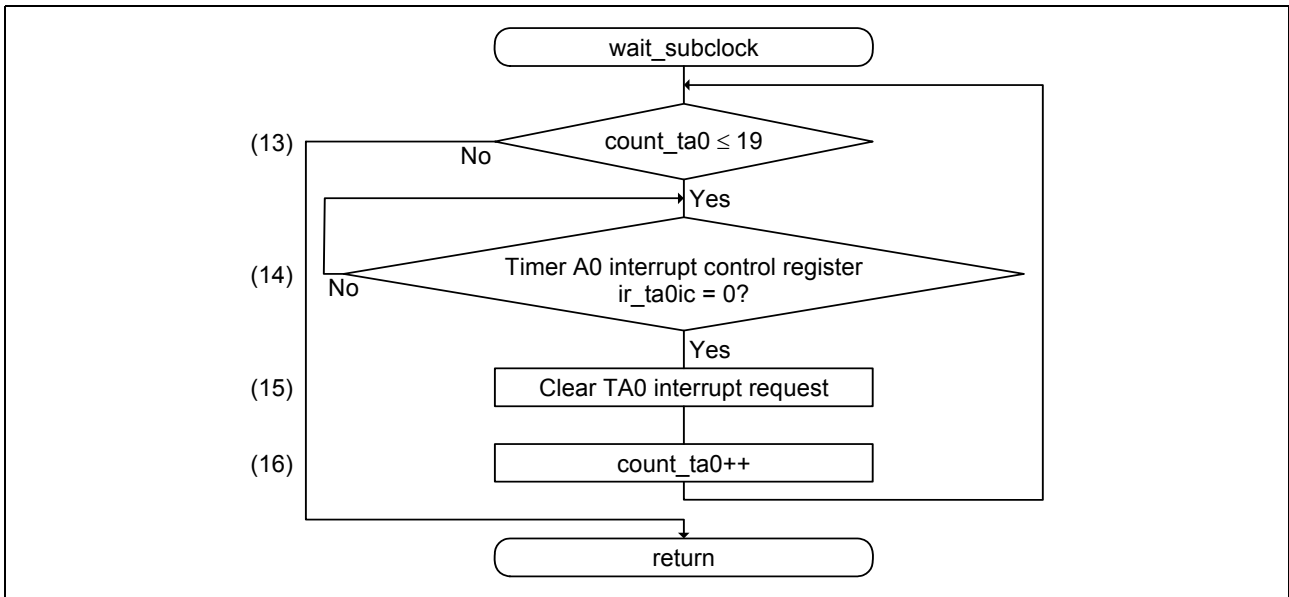


Figure 5.3 Sub Clock Stabilization Wait Function Flowchart

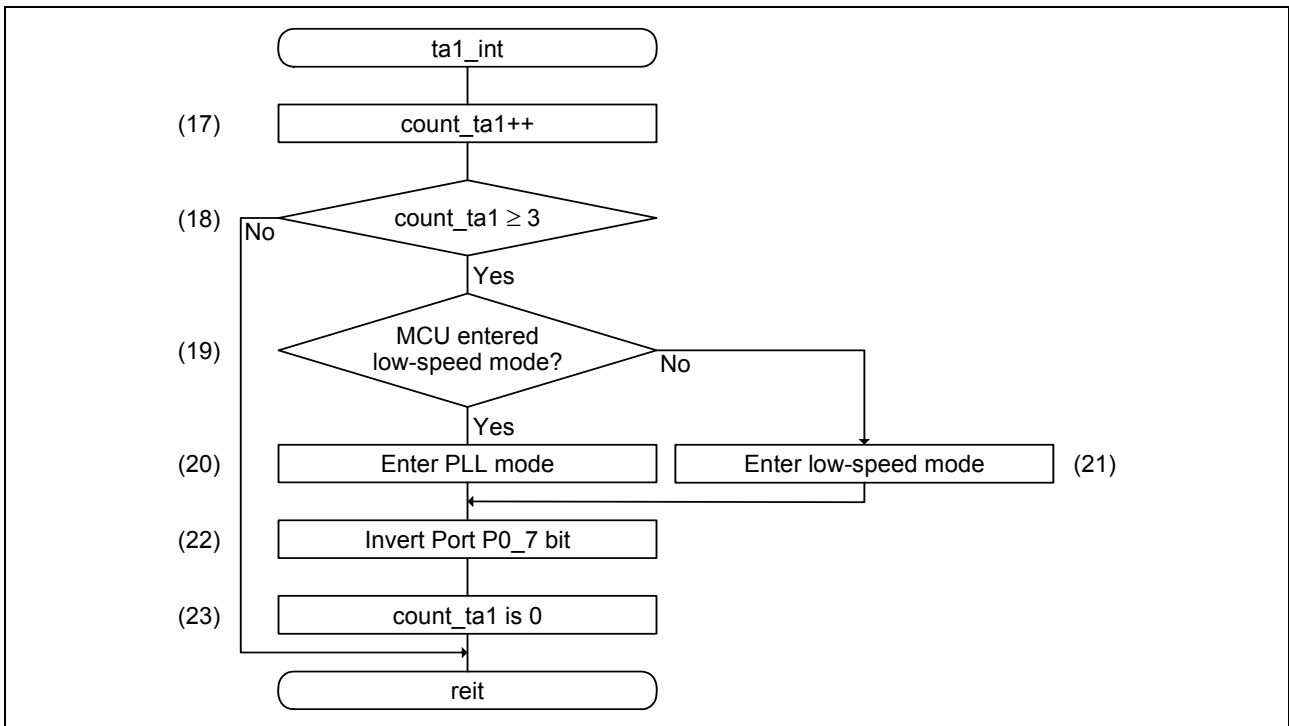


Figure 5.4 Timer A1 Interrupt Function Flowchart

6. Reference Documents

Hardware Manual: R32C/118 Group Hardware Manual Rev. 1.00

The latest version can be downloaded from the Renesas Technology website.

Technical Update/Technical News

The latest information can be downloaded from the Renesas Technology website.

C Compiler Manual: R32C/100 Series C Compiler Ver.1.02 User's Manual Rev. 1.00

The latest version can be downloaded from the Renesas Technology website.

Website and Support

Renesas Technology Website

<http://www.renesas.com/>

Inquiries

<http://www.renesas.com/inquiry>

csc@renesas.com

Revision History	Entering Low-speed Mode
-------------------------	--------------------------------

Revision	Date	Page	Summary
1.00	Jan. 29, 2010	—	Initial release

All trademarks and registered trademarks are the property of their respective owners.

Notes regarding these materials

1. This document is provided for reference purposes only so that Renesas customers may select the appropriate Renesas products for their use. Renesas neither makes warranties or representations with respect to the accuracy or completeness of the information contained in this document nor grants any license to any intellectual property rights or any other rights of Renesas or any third party with respect to the information in this document.
2. Renesas shall have no liability for damages or infringement of any intellectual property or other rights arising out of the use of any information in this document, including, but not limited to, product data, diagrams, charts, programs, algorithms, and application circuit examples.
3. You should not use the products or the technology described in this document for the purpose of military applications such as the development of weapons of mass destruction or for the purpose of any other military use. When exporting the products or technology described herein, you should follow the applicable export control laws and regulations, and procedures required by such laws and regulations.
4. All information included in this document such as product data, diagrams, charts, programs, algorithms, and application circuit examples, is current as of the date this document is issued. Such information, however, is subject to change without any prior notice. Before purchasing or using any Renesas products listed in this document, please confirm the latest product information with a Renesas sales office. Also, please pay regular and careful attention to additional and different information to be disclosed by Renesas such as that disclosed through our website. (<http://www.renesas.com>)
5. Renesas has used reasonable care in compiling the information included in this document, but Renesas assumes no liability whatsoever for any damages incurred as a result of errors or omissions in the information included in this document.
6. When using or otherwise relying on the information in this document, you should evaluate the information in light of the total system before deciding about the applicability of such information to the intended application. Renesas makes no representations, warranties or guaranties regarding the suitability of its products for any particular application and specifically disclaims any liability arising out of the application and use of the information in this document or Renesas products.
7. With the exception of products specified by Renesas as suitable for automobile applications, Renesas products are not designed, manufactured or tested for applications or otherwise in systems the failure or malfunction of which may cause a direct threat to human life or create a risk of human injury or which require especially high quality and reliability such as safety systems, or equipment or systems for transportation and traffic, healthcare, combustion control, aerospace and aeronautics, nuclear power, or undersea communication transmission. If you are considering the use of our products for such purposes, please contact a Renesas sales office beforehand. Renesas shall have no liability for damages arising out of the uses set forth above.
8. Notwithstanding the preceding paragraph, you should not use Renesas products for the purposes listed below:
 - (1) artificial life support devices or systems
 - (2) surgical implantations
 - (3) healthcare intervention (e.g., excision, administration of medication, etc.)
 - (4) any other purposes that pose a direct threat to human life

Renesas shall have no liability for damages arising out of the uses set forth in the above and purchasers who elect to use Renesas products in any of the foregoing applications shall indemnify and hold harmless Renesas Technology Corp., its affiliated companies and their officers, directors, and employees against any and all damages arising out of such applications.
9. You should use the products described herein within the range specified by Renesas, especially with respect to the maximum rating, operating supply voltage range, movement power voltage range, heat radiation characteristics, installation and other product characteristics. Renesas shall have no liability for malfunctions or damages arising out of the use of Renesas products beyond such specified ranges.
10. Although Renesas endeavors to improve the quality and reliability of its products, IC products have specific characteristics such as the occurrence of failure at a certain rate and malfunctions under certain use conditions. Please be sure to implement safety measures to guard against the possibility of physical injury, and injury or damage caused by fire in the event of the failure of a Renesas product, such as safety design for hardware and software including but not limited to redundancy, fire control and malfunction prevention, appropriate treatment for aging degradation or any other applicable measures. Among others, since the evaluation of microcomputer software alone is very difficult, please evaluate the safety of the final products or system manufactured by you.
11. In case Renesas products listed in this document are detached from the products to which the Renesas products are attached or affixed, the risk of accident such as swallowing by infants and small children is very high. You should implement safety measures so that Renesas products may not be easily detached from your products. Renesas shall have no liability for damages arising out of such detachment.
12. This document may not be reproduced or duplicated, in any form, in whole or in part, without prior written approval from Renesas.
13. Please contact a Renesas sales office if you have any questions regarding the information contained in this document, Renesas semiconductor products, or if you have any other inquiries.