

To our customers,

Old Company Name in Catalogs and Other Documents

On April 1st, 2010, NEC Electronics Corporation merged with Renesas Technology Corporation, and Renesas Electronics Corporation took over all the business of both companies. Therefore, although the old company name remains in this document, it is a valid Renesas Electronics document. We appreciate your understanding.

Renesas Electronics website: <http://www.renesas.com>

April 1st, 2010
Renesas Electronics Corporation

Issued by: Renesas Electronics Corporation (<http://www.renesas.com>)

Send any inquiries to <http://www.renesas.com/inquiry>.

Notice

1. All information included in this document is current as of the date this document is issued. Such information, however, is subject to change without any prior notice. Before purchasing or using any Renesas Electronics products listed herein, please confirm the latest product information with a Renesas Electronics sales office. Also, please pay regular and careful attention to additional and different information to be disclosed by Renesas Electronics such as that disclosed through our website.
2. Renesas Electronics does not assume any liability for infringement of patents, copyrights, or other intellectual property rights of third parties by or arising from the use of Renesas Electronics products or technical information described in this document. No license, express, implied or otherwise, is granted hereby under any patents, copyrights or other intellectual property rights of Renesas Electronics or others.
3. You should not alter, modify, copy, or otherwise misappropriate any Renesas Electronics product, whether in whole or in part.
4. Descriptions of circuits, software and other related information in this document are provided only to illustrate the operation of semiconductor products and application examples. You are fully responsible for the incorporation of these circuits, software, and information in the design of your equipment. Renesas Electronics assumes no responsibility for any losses incurred by you or third parties arising from the use of these circuits, software, or information.
5. When exporting the products or technology described in this document, you should comply with the applicable export control laws and regulations and follow the procedures required by such laws and regulations. You should not use Renesas Electronics products or the technology described in this document for any purpose relating to military applications or use by the military, including but not limited to the development of weapons of mass destruction. Renesas Electronics products and technology may not be used for or incorporated into any products or systems whose manufacture, use, or sale is prohibited under any applicable domestic or foreign laws or regulations.
6. Renesas Electronics has used reasonable care in preparing the information included in this document, but Renesas Electronics does not warrant that such information is error free. Renesas Electronics assumes no liability whatsoever for any damages incurred by you resulting from errors in or omissions from the information included herein.
7. Renesas Electronics products are classified according to the following three quality grades: “Standard”, “High Quality”, and “Specific”. The recommended applications for each Renesas Electronics product depends on the product’s quality grade, as indicated below. You must check the quality grade of each Renesas Electronics product before using it in a particular application. You may not use any Renesas Electronics product for any application categorized as “Specific” without the prior written consent of Renesas Electronics. Further, you may not use any Renesas Electronics product for any application for which it is not intended without the prior written consent of Renesas Electronics. Renesas Electronics shall not be in any way liable for any damages or losses incurred by you or third parties arising from the use of any Renesas Electronics product for an application categorized as “Specific” or for which the product is not intended where you have failed to obtain the prior written consent of Renesas Electronics. The quality grade of each Renesas Electronics product is “Standard” unless otherwise expressly specified in a Renesas Electronics data sheets or data books, etc.
 - “Standard”: Computers; office equipment; communications equipment; test and measurement equipment; audio and visual equipment; home electronic appliances; machine tools; personal electronic equipment; and industrial robots.
 - “High Quality”: Transportation equipment (automobiles, trains, ships, etc.); traffic control systems; anti-disaster systems; anti-crime systems; safety equipment; and medical equipment not specifically designed for life support.
 - “Specific”: Aircraft; aerospace equipment; submersible repeaters; nuclear reactor control systems; medical equipment or systems for life support (e.g. artificial life support devices or systems), surgical implantations, or healthcare intervention (e.g. excision, etc.), and any other applications or purposes that pose a direct threat to human life.
8. You should use the Renesas Electronics products described in this document within the range specified by Renesas Electronics, especially with respect to the maximum rating, operating supply voltage range, movement power voltage range, heat radiation characteristics, installation and other product characteristics. Renesas Electronics shall have no liability for malfunctions or damages arising out of the use of Renesas Electronics products beyond such specified ranges.
9. Although Renesas Electronics endeavors to improve the quality and reliability of its products, semiconductor products have specific characteristics such as the occurrence of failure at a certain rate and malfunctions under certain use conditions. Further, Renesas Electronics products are not subject to radiation resistance design. Please be sure to implement safety measures to guard them against the possibility of physical injury, and injury or damage caused by fire in the event of the failure of a Renesas Electronics product, such as safety design for hardware and software including but not limited to redundancy, fire control and malfunction prevention, appropriate treatment for aging degradation or any other appropriate measures. Because the evaluation of microcomputer software alone is very difficult, please evaluate the safety of the final products or system manufactured by you.
10. Please contact a Renesas Electronics sales office for details as to environmental matters such as the environmental compatibility of each Renesas Electronics product. Please use Renesas Electronics products in compliance with all applicable laws and regulations that regulate the inclusion or use of controlled substances, including without limitation, the EU RoHS Directive. Renesas Electronics assumes no liability for damages or losses occurring as a result of your noncompliance with applicable laws and regulations.
11. This document may not be reproduced or duplicated, in any form, in whole or in part, without prior written consent of Renesas Electronics.
12. Please contact a Renesas Electronics sales office if you have any questions regarding the information contained in this document or Renesas Electronics products, or if you have any other inquiries.

(Note 1) “Renesas Electronics” as used in this document means Renesas Electronics Corporation and also includes its majority-owned subsidiaries.

(Note 2) “Renesas Electronics product(s)” means any product developed or manufactured by or for Renesas Electronics.

H8/300L

Direction Finder (DirFind)

Introduction

This application note demonstrates how to interface the H8/38024 SLP series to an analog hall-effect sensor. The sensor outputs a sine-cosine curve pair, which is converted into directional information by the MCU and output to an alphanumeric dot-matrix display. This simple system can be used as a compass or direction finder. Advantages of using the H8/38024 SLP MCU are the many built-in peripherals such as the A/D Converter, Serial Communication Interface (SCI), Timers, etc.

Target Device

H8/38024 SLP Series

Contents

1. System Overview	3
2. Hardware Implementation	4
2.1 Power Supplies	4
2.2 Address and Data Buses	4
2.3 Address Decoder	5
2.4 RS-232 Transceiver	5
2.5 Analog Hall-effect Sensor	5
2.6 ADC Interfacing Techniques	7
3. Software Implementation	8
3.1 Source Codes	9
4. Hardware Schematics	21
5. References	27
Revision Record	28

1. System Overview

Figure 1 shows the block diagram of the compass described in this application note. The system is comprised of the following components:

- H8/38024 SLP MCU
- Dinsmore Analog Hall-Effect Sensor (No. 1525)
- Alphanumeric dot-matrix display
- RS-232 Interface

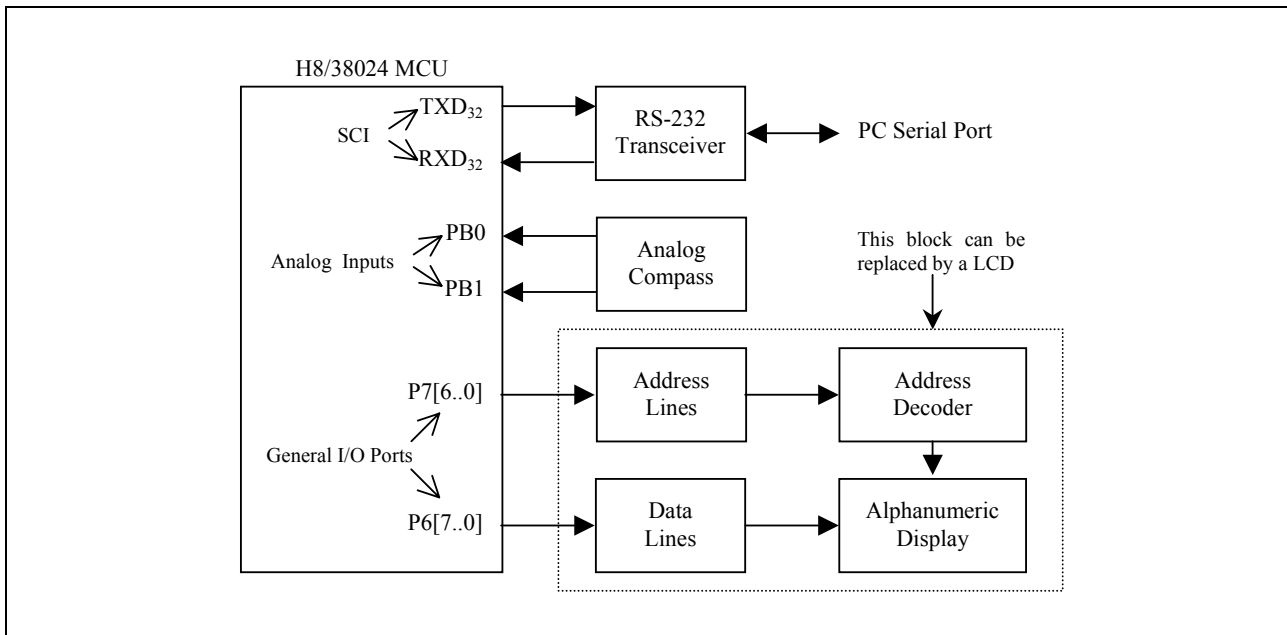


Figure 1 System Block Diagram

In this application note, the roles of the MCU are as follows:

- Convert the outputs from the analog sensor into digital equivalent. Two out of eight available analog input channels with 10-bit resolution are used to interface to the analog sensor.
- Determine the angle
- Display directional information
- Send directional information to PC RS-232 serial port (debugging)

2. Hardware Implementation

The peripheral usage is as follows:

Table 1 Peripheral Usage

Peripheral	Function
Port 6[7..0]	"Data" bus
Port 7[6..0]	"Address" bus
P77	WRITE/READ_N
SCI (TXD ₃₂ and RXD ₃₂)	Communication with host PC
P43	Calibration pin for compass, low when done
PB0 and PB1	Outputs 1 and 2 of the analog sensor, respectively

2.1 Power Supplies

Three separate supplies are required in this application example:

- 6V input voltage
- 5V for 74HCT138, level shifter, alphanumeric display
- 3.3V for MCU, RS-232 transceiver, level shifter

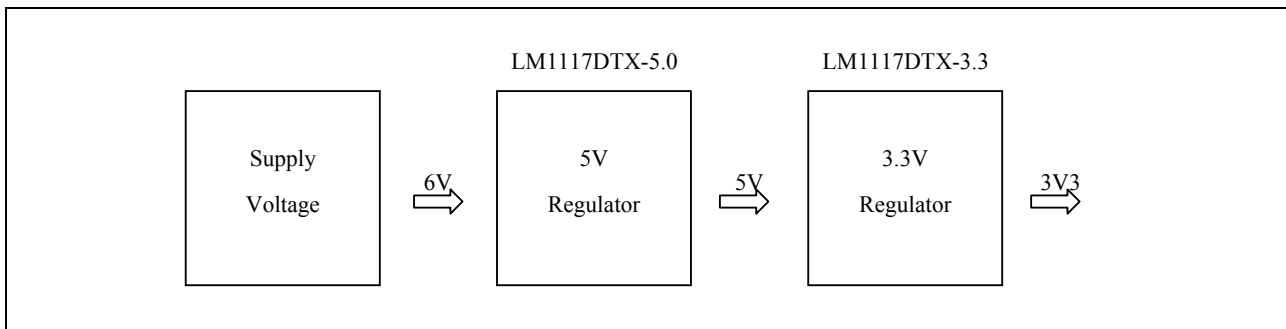


Figure 2 Power Supplies

2.2 Address and Data Buses

To allow the H8/38024 SLP MCU to access memory-mapped external devices/memory/peripherals, separate address and data buses with control signal WRITE/READ_N are constructed using general I/O ports as shown in Figure 3. The MCU is operating at 3.3V while some devices operate at 5V. The function of the level shifters is to interface the MCU to the 5V devices.

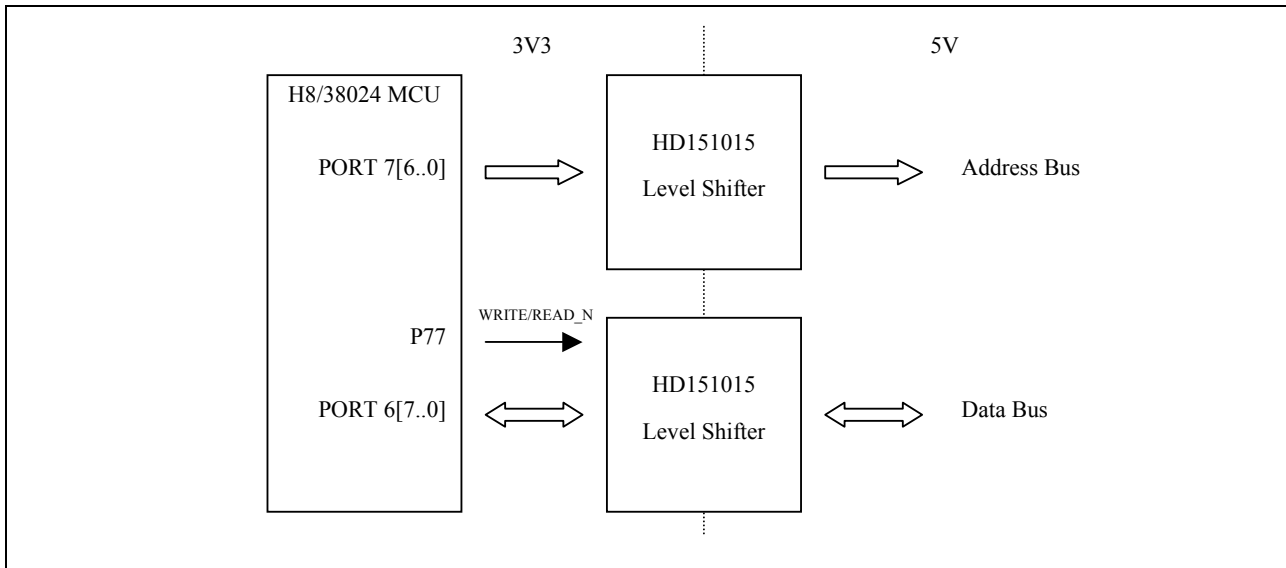


Figure 3 Address and Data Buses

2.3 Address Decoder

A 74HCT138 3 to 8 line decoder is used here to select the memory-mapped alphanumeric display (DLR1414). Table 2 lists the addresses.

Table 2 Address Mapping

Address (hexadecimal)	Device
C0	Display (first digit)
C1	Display (second digit)
C2	Display (third digit)
C3	Display (fourth digit)

2.4 RS-232 Transceiver

The Serial Communication Interface (SCI) pins TXD₃₂ and RXD₃₂ are connected to the Sipex SP3232 RS-232 transceiver. This allows the MCU to communicate with the Host PC.

2.5 Analog Hall-effect Sensor

The Dinsmore analog Hall-effect sensor 1525 requires closely regulated 5.00V DC input and furnishes a ratiometric DC output. Power consumption is approximately 18~19mA. The output closely resembles a sine-cosine set of curves shown in Figure 4, which cross at 2.5V and peak at 2.9V and floor at about 2.1V. Since the MCU is operating with AVCC = 3.3V, these outputs can be directly connected to the ADC inputs.

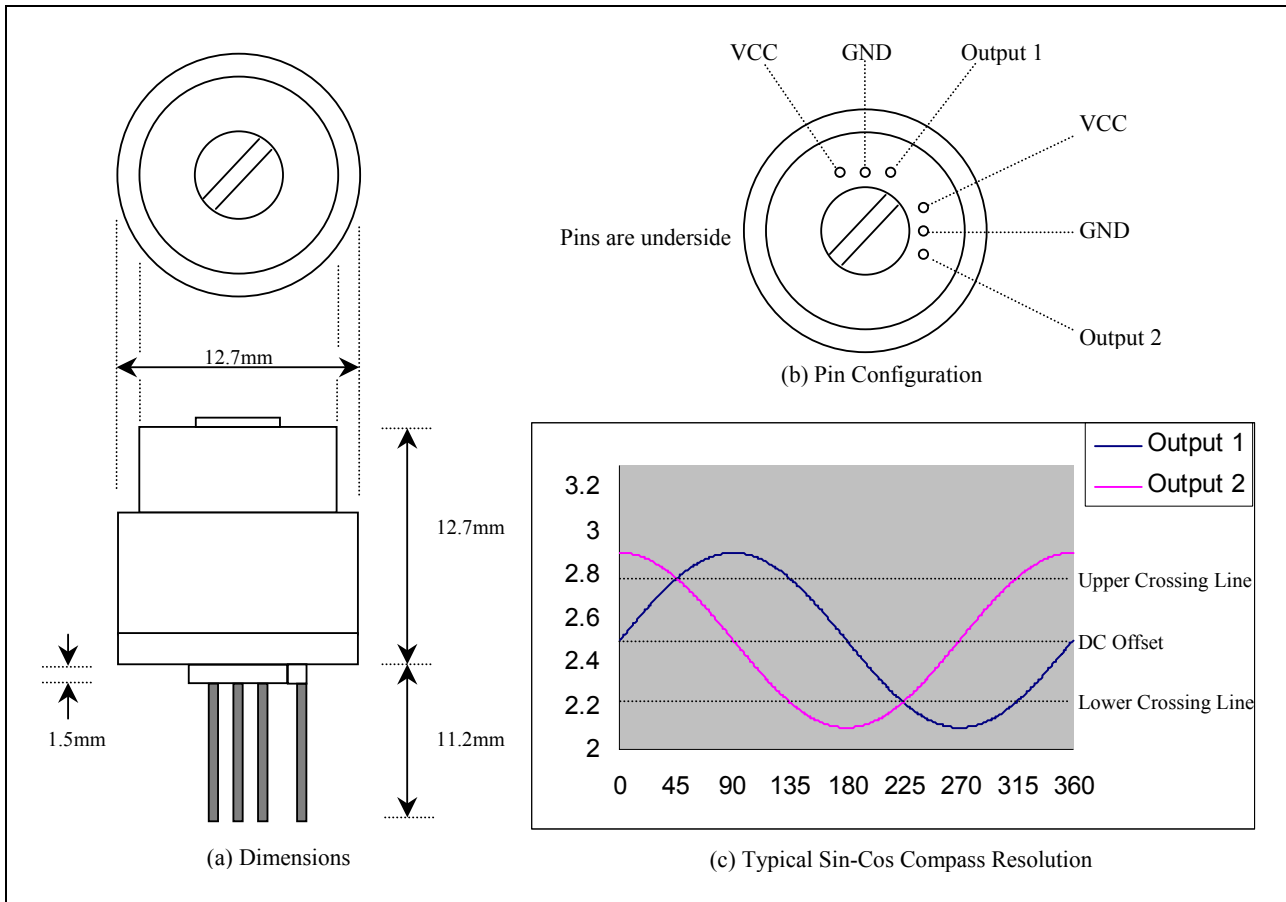


Figure 4 Dinsmore Analog Hall-effect Sensor (#1525)

- Output 1 = Amplitude·sin(ωt) + DC Offset
- Output 2 = Amplitude·cos(ωt) + DC Offset

Compare the portions of the curves above and below their crossing points where the sine and cosine curves are equal. Note that the curves are relatively straight and steep between the upper and lower crossing lines. For example, the relatively straight portions of the sine curve are from 0° to 45°, 135° to 225° and 315° to 360°. For the cosine curve, they are from 45° to 135° and 225° to 315°.

Range		Curve with relatively straight portions
From	To	
0°	45°	Sine
45°	135°	Cosine
135°	225°	Sine
225°	315°	Cosine
315°	360°	Sine

Since the arc sine and cosine of a particular value corresponds to two or more angles, the second output from the sensor is used to differentiate between the angles. Before the arc functions can be used, the sine and cosine curves must be normalised i.e., the DC offsets are subtracted from the curves.

- $DC\ Offset = \left(\frac{Maximum + Minimum}{2} \right)$
- $Amplitude = \left(\frac{Maximum - Minimum}{2} \right)$
- $Angle(radians) = \sin^{-1} \left(\frac{Output\ 1 - DC\ Offset}{Amplitude} \right)$ or $\cos^{-1} \left(\frac{Output\ 2 - DC\ Offset}{Amplitude} \right)$
- $Angle(degrees) = \left[Angle(radians) \times \frac{180}{\pi} \right]$

2.6 ADC Interfacing Techniques

Some recommended ADC interfacing guidelines described in the “Application Note on Detailed Usage of ADC” are adopted here.

- A simple method for controlling noise is to have separate supplies for the (i) slower low-current analog functions and (ii) faster medium-power digital functions as shown in Figure 5. The ferrite beads together with the bypass capacitors form a low-pass filter network, reducing the high-frequency noise. It resists varying current and also provides a low-impedance AC short to ground on either side.

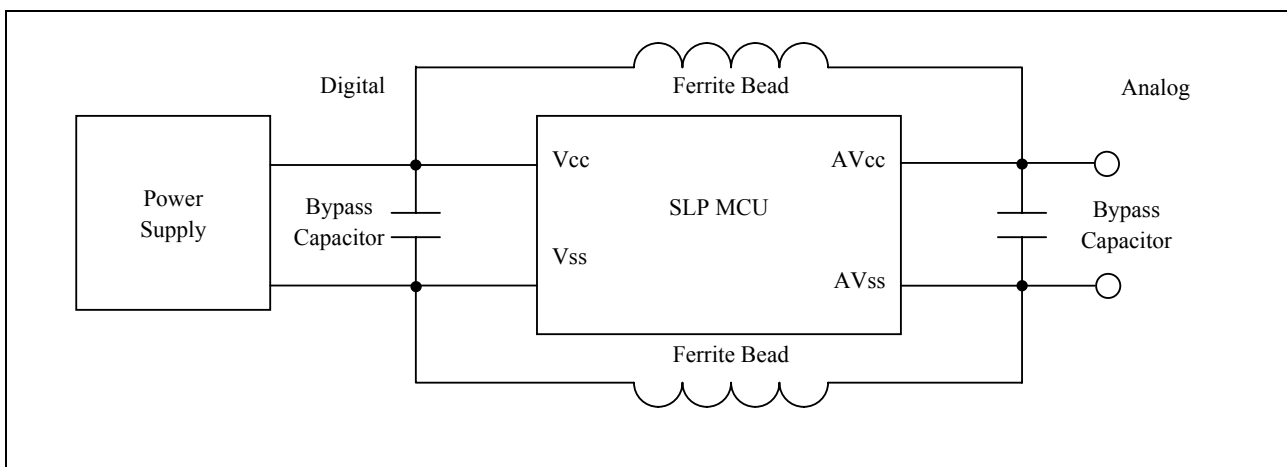


Figure 5 Split Supplies

- A low-impedance buffer should be inserted when converting a high-speed analog signal as shown in Figure 6. The buffer provides a high-impedance for the sensor and a low-impedance drive for the ADC.

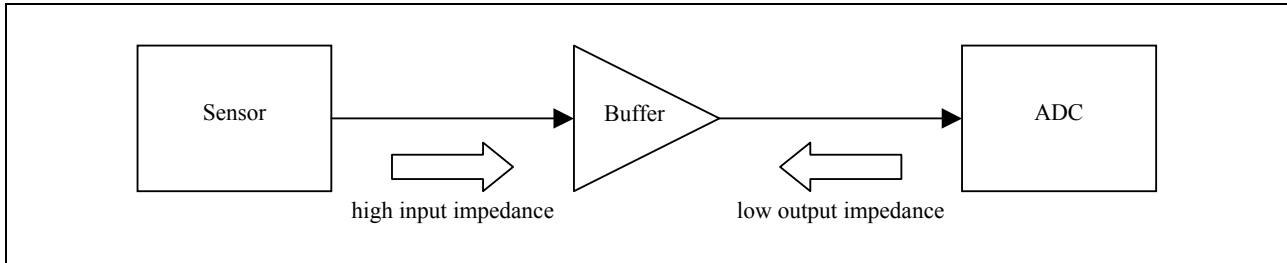


Figure 6 Signal Isolation

- All unused analog input pins are also pulled to AVCC.

3. Software Implementation

The source code is written in the C language for easy implementation and compiled using the free H8 Tiny/SLP toolchain (version 5.0.0) for HEW Version 2.2 (Release 15).

The functions of the source codes are as follows:

- Initialization of I/O ports, ADC and serial ports.
- Calibration
 - The average DC offset and amplitude of the output waveforms have been stored in the program as “offset_value” and “amplitude_value”, respectively.
 - If calibration is required, remove the jumper connecting pins 2 and 3 of J3. The analog sensor must be rotated at least one complete revolution to get the new maximum and minimum output values. When calibration is done, put jumper across pins 2 and 3 of J3. From these values, the amplitude is calculated.
- Conversion of analog inputs to angle representations. These angle representations will be output to the alphanumeric display and transmitted to the PC via the SCI. Use terminal emulating software such as the HyperTerminal or Tera Term Pro to configure the settings for the PC serial port as 38400bps, 8 data bits, 1 stop bit and parity disabled.

The flowchart of the main() function is described in Figure 7.

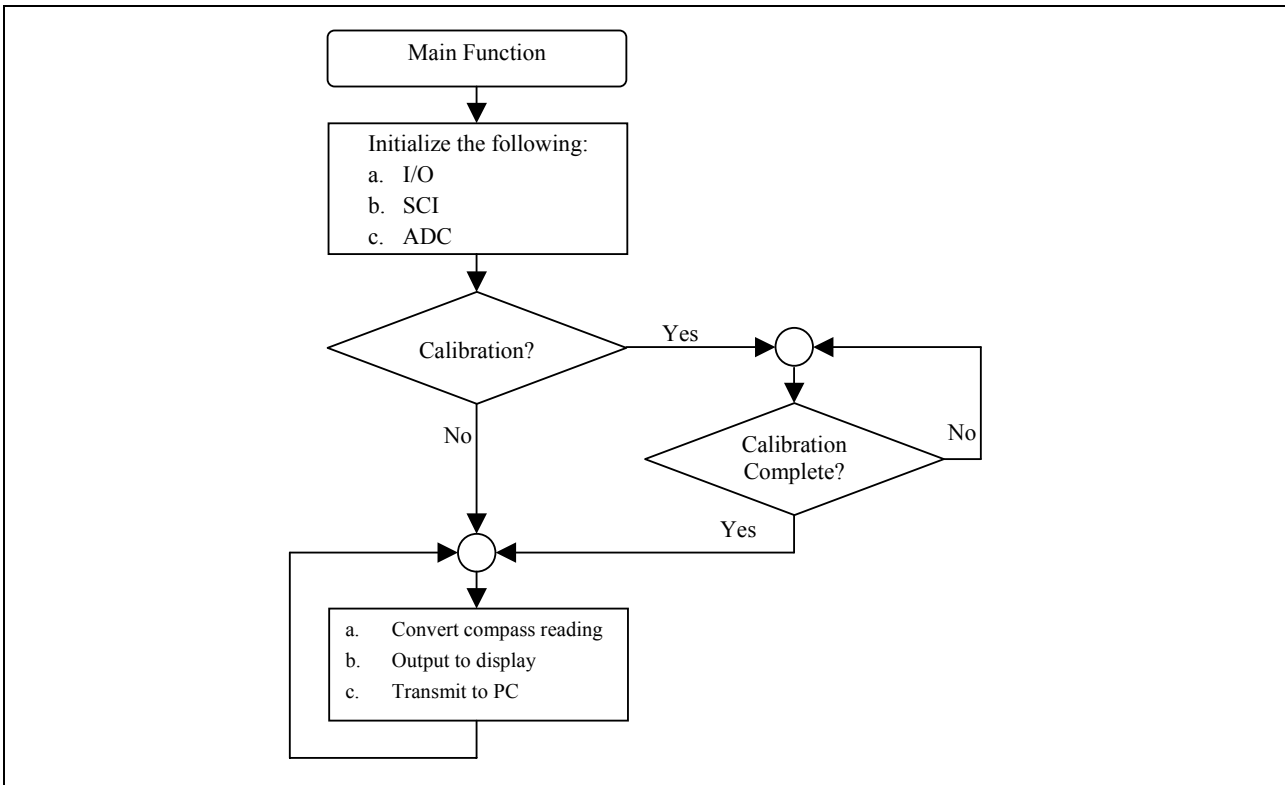


Figure 7 Flowchart

The prototype board is connected to the ALE300L-H8/3800 Low-cost Emulator as shown in Figure 8.

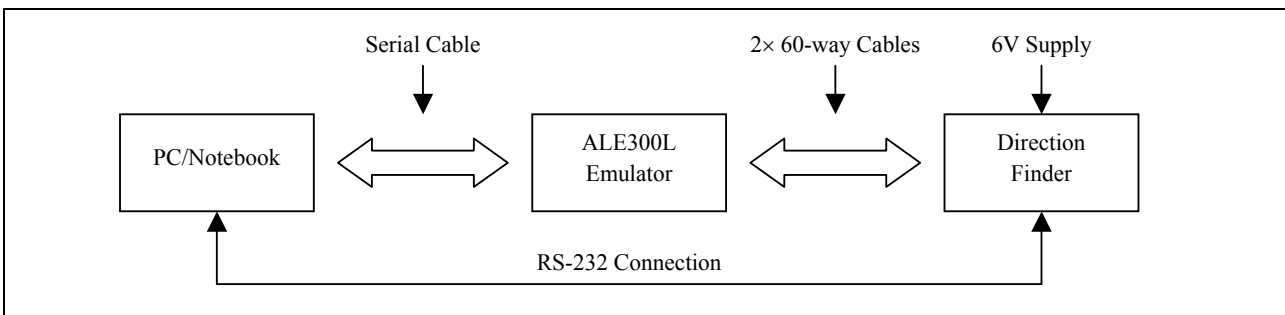


Figure 8 System Setup

3.1 Source Codes

The source codes are mainly in DirFind.c.

- Contains the main function
- Performs initialization of the I/O, Serial Communication Interface (SCI) and ADC
- Calibration for compass
- Conversion of compass reading

```
/*
*****
/* FILE :DirFind.c
/* DATE :Mon, Feb 09, 2004
/* DESCRIPTION :Main Program
/* CPU TYPE :H8/3802
/*
/* This file is generated by Hitachi Project Generator (Ver.2.1).
/*
*****

#ifdef __cplusplus
extern "C" {
#endif
void abort(void);
#ifdef __cplusplus
}
#endif

#include "iodefine.h"
#include <machine.h>
#include <math.h>

//-----
//Constant Declarations
//-----

//Constants for Address Decoder
#define first_digit 0xC0
#define second_digit 0xC1
#define third_digit 0xC2
#define fourth_digit 0xC3

#define de_select 0x3F

//ASCII Constants
#define blank 0x20

//Others
#define address_bus P_IO.PDR7.BYTE //Address Bus
#define data_bus P_IO.PDR6.BYTE //Data Bus
#define calibration_input P_IO.PDR4.BIT.P43 //Calibration Input

#define pi 3.141592

//Average sensor values computed
//If calibration is not performed, then these values will be used
#define offset_value 786.25
#define amplitude_value 132.8
```

```
//-----  
//Function Prototypes  
//-----  
void init_sci(void);  
void char_put(char);  
void PutStr(char *);  
  
void init_port(void);  
  
void display_char(unsigned char, unsigned char);  
  
void display_word(unsigned int);  
  
void serial_transmit(unsigned int);  
  
void init_adc(unsigned char);  
void start_adc(unsigned char);  
  
unsigned int ADC_value (void);  
void find_value(void);  
  
void delay(void);  
  
//-----  
//global variables  
//-----  
  
unsigned int  max, min;  
  
//-----  
  
void main(void)  
{  
    //-----  
  
    unsigned int  f1, f2, f3, direction, directionS, directionC;  
    unsigned int  sin_value, cos_value;  
  
    float        output1, output2;  
    float        degreeS, degreeC;  
    float        dc_offset, amplitude;  
  
    //-----  
  
    init_port();  
  
    init_sci();  
  
    //-----  
  
    dc_offset = offset_value;  
    amplitude = amplitude_value;
```

```
display_char(fourth_digit, blank);           //Blank display
display_char(third_digit, blank);           //Blank display
display_char(second_digit, blank);         //Blank display
display_char(first_digit, blank);          //Blank display

//-----
//This loop is required for calibration.
//Need to rotate the compass first for at least 1 full revolution
//Calibration is considered "done" when the jumper is shorted

if (calibration_input)
{
    display_char(fourth_digit, 0x43); //Display 'C'

    min = 1024;
    max = 0;

    do
    {
        find_value();
    } while (calibration_input == 1);

    dc_offset = (max + min)/2;
    amplitude = (max - dc_offset);

    delay();
    display_char(fourth_digit, blank); //End of calibration : blank
}

//-----

while(1)
{
    init_adc(0);                               //Initialize ADC

    start_adc(1);
    while (P_AD.ADSR.BYTE & 0x80); //If ADSR = 1, A/D conversion in
progress
    sin_value = ADC_value();

    init_adc(1);                               //Initialize ADC

    start_adc(1);

    while (P_AD.ADSR.BYTE & 0x80); //If ADSR = 1, A/D conv in progress
    cos_value = ADC_value();

    //Calculation of Degree
    //range for asin() is -90 to 90
    //range for acos() is 0 to 180
    output1 = (sin_value - dc_offset) / amplitude;
    degrees = asin(output1) * 180.0 / pi;
```

```

output2 = (cos_value - dc_offset) / amplitude;
degreeC = acos(output2) * 180.0 / pi;

//-----

if (cos_value >= dc_offset)          //1st or 4th quadrant
{
    if (degreeS > 0)                 //1st quadrant : 0 to 90
    {
        directionS = degreeS;
    }
    else
    {
        directionS = 360 + degreeS; //4th quadrant : 270 to 360
    }
}
else
{
    directionS = 180 - degreeS;      //2nd & 3rd quadrants : 90 to 270
}

//-----

if (sin_value >= dc_offset)          //1st & 2nd quadrants : 0 to 180
{
    directionC = degreeC;
}
else
{
    if (degreeC < 0)
    {
        directionC = 180 - degreeC; //3rd quadrant : 180 to 270
    }
    else
    {
        directionC = 360 - degreeC; //4th quadrant : 270 to 360
    }
}

//-----

if (((directionC > 45) && (directionC < 135)) ||
    ((directionC > 225) && (directionC < 315)))
    direction = directionC;
else if (((directionS >= 135) && (directionS <= 225)) ||
        ((directionS >= 315) || (directionS <= 45)))
    direction = directionS;

//-----

f1 = floor(direction / 100);
f2 = floor((direction - (100 * f1)) / 10);
f3 = floor(direction - (f1 * 100) - (f2 * 10));

```

```

        display_char(third_digit, f1 + 0x30);
        char_put(f1 + 0x30);
        display_char(second_digit, f2 + 0x30);
        char_put(f2 + 0x30);
        display_char(first_digit, f3 + 0x30);
        char_put(f3 + 0x30);
        PutStr("\r\n");
        delay();
    }
}

//-----

/*
    init_port() : Set up the I/O ports

    a. Port 6[7..0] -> Data[7..0]
    b. Port 7[7..0] -> Address[7..0]
    Note that Port 7_7 also functions as the WRITE/READ_N signal
*/

void init_port(void)
{
    P_LCD.LPCR.BYTE = 0x00;           //SEG[32..1] as I/O Port

    P_IO.PCR6.BYTE  = 0xFF;          //Set Port 6 as all output

    P_IO.PCR7.BYTE  = 0xFF;          //Set Port 7 as all output

    data_bus        = 0xFF;          //Set Data Bus to all '1'

    address_bus     = 0xFF;          //Set Address Bus to all '1'
}

//-----

/*
    display_char()

    a. Port 6[7..0] -> Data[7..0]
    b. Port 7[7..0] -> Address[7..0]
    Note that Port 7_7 also functions as the WRITE/READ_N signal
*/

void display_char(unsigned char digit_position, unsigned char digit_info)
{
    P_IO.PCR6.BYTE  = 0xFF;          //Set Port 6[7..0] as output

    address_bus &= de_select;

    data_bus = digit_info;           //Data

    address_bus = digit_position;     //Address
}

```



```
    address_bus &= de_select;
}

//-----

/*
display_word()
*/

void display_word(unsigned int display_data)
{
    unsigned char  position, digit_info, digit_position;

    P_IO.PCR6.BYTE = 0xFF;           //Set Port 6[7..0] as output

    for (position = 4 ; position != 0 ; position--)
    {
        switch (position)
        {
            case 1:
                digit_position = first_digit;
                digit_info = (unsigned char)(display_data & 0x000F);
                break;

            case 2:
                digit_position = second_digit;
                digit_info = (unsigned char)((display_data & 0x00F0) >> 4);
                break;

            case 3:
                digit_position = third_digit;
                digit_info = (unsigned char)((display_data & 0x0F00) >> 8);
                break;

            default:
                digit_position = fourth_digit;
                digit_info = (unsigned char)((display_data & 0xF000) >> 12);
                break;
        }

        if ((digit_info >= 0) && (digit_info <= 9))
            digit_info += 0x30;
        else
        {
            if ((digit_info >= 0xA) && (digit_info <= 0xF))
            {
                digit_info -= 0xA;
                digit_info += 0x41;
            }
        }

        address_bus &= de_select;
    }
}
```

```
    data_bus = digit_info;           //Data

    address_bus = digit_position;    //Address

    address_bus &= de_select;
}
}

//-----

/*
serial_transmit()
*/

void serial_transmit(unsigned int display_data)
{
    unsigned char  position, digit_info;

    for (position = 4 ; position != 0 ; position--)
    {
        switch (position)
        {
            case 1:
                digit_info = (unsigned char)(display_data & 0x000F);
                break;

            case 2:
                digit_info = (unsigned char)((display_data & 0x00F0) >> 4);
                break;

            case 3:
                digit_info = (unsigned char)((display_data & 0x0F00) >> 8);
                break;

            default:
                digit_info = (unsigned char)((display_data & 0xF000) >> 12);
                break;
        }

        if ((digit_info >= 0) && (digit_info <= 9))
            digit_info += 0x30;
        else
        {
            if ((digit_info >= 0xA) && (digit_info <= 0xF))
            {
                digit_info -= 0xA;
                digit_info += 0x41;
            }
        }

        char_put(digit_info);
    }
}
```

```
//-----
/*
  init_sci() : Sets up the Serial Communication Interface for debugging
              purposes.
*/

void init_sci(void)
{
  //SCR3 : |TIE|RIE|TE|RE|MPIE|TEIE|CKE1|CKE0|
  //TIE : Transmit interrupt enable
  //RIE : Receive interrupt enable
  //TE  : Transmit enable
  //RE  : Receive enable
  //MPIE : Multiprocessor interrupt enable
  //TEIE : Transmit end interrupt enable
  //CKE1 : Clock enable 1
  //CKE0 : Clock enable 0

  //CKE1 = CKE0 = 0
  //asynchronous mode, internal clock source, SCK32 functions as I/O port
  P_SCI3.SCR3.BYTE &= 0x00; //clear TE & RE

  //SMR : |COM|CHR|PE|PM|STOP|MP|CKS1|CKS0| : |0|0|0|0|0|0|0|0|
  //COM : Communication Mode : 0 : asynchronous mode
  //CHR : Character Length   : 0 : character length = 8 bits
  //PE  : Parity Enable       : 0 : parity bit addition and checking disabled
  //PM  : Parity Mode        : 0 : even parity (no effect since parity is
already disabled)
  //STOP: Stop Bit Length    : 0 : 1 stop bit
  //MP  : Multiprocessor Mode : 0 : multiprocessor communication function
disabled
  //|CKS1|CKS0| : Clock Select: |0|0| : clock source for baud rate generator
= clk
  P_SCI3.SMR.BYTE = 0x00;

  //For clk = 10MHz, bit rate = 2400 bps, n = 0, N = 64
  //P_SCI3.BRR = 64;

  //For clk = 10MHz, bit rate = 38400 bps, n = 0, N = 3
  P_SCI3.BRR = 3;

  //minimum of 1-bit delay = 417ns
  nop();
  nop();
  nop();

  //SPCR : |---|---|SPC32|---|SCINV3|SCINV2|---|---| : |1|1|1|0|0|0|0|0|
  //SPC32 = 1 : P42 functions as TXD32 output pin
  //need to set TE bit in SCR3 after setting this bit to 1
  //SCINV3 = 0 : TXD32 output data is not inverted
  //SCINV2 = 0 : RXD32 input data is not inverted
  //Bits 7 and 6 are reserved and always read as 1

```

```
//Bits 4, 1 and 0 are reserved and only 0 can be written to these bits
P_SCI3.SPCR.BYTE = 0xE0;

P_SCI3.SCR3.BYTE |= 0x30; //Set TE & RE
}

//-----

/*
char_put() : Transmits a character to the PC for debugging purposes.
*/

void char_put(char OutputChar)          //Serial Port
{
    //SSR : |TDRE|RDRF|OER|FER|PER|TEND|MPBR|MPBT|
    //TDRE : transmit data register empty
    //RDRF : receive data register full
    //OER  : overrun error
    //FER  : framing error
    //PER  : parity error
    //TEND : transmit end
    //MPBR : Multiprocessor bit receive
    //MPBT : Multiprocessor bit transfer

    while ((P_SCI3.SSR.BIT.TDRE) == 0);          //Wait for TDRE = 1

    P_SCI3.TDR = OutputChar;

    while ((P_SCI3.SSR.BIT.TEND) == 0);          //Wait for TEND = 1

    P_SCI3.SSR.BIT.TEND = 0;
}

//-----

/*
PutStr() : Transmits a string of characters to the PC for debugging
purposes.
*/

void PutStr(char *str)
{
    while (*str != 0)
    {
        char_put(*str++);
    }
}

//-----

/*
init_adc()
*/
```

```

void init_adc(unsigned char Input_CH)
{
    //CKS = 0 -> A/D Conversion period = 62/phi
    P_AD.AMR.BIT.CKS= 0;

    //TRGE = 0 -> Disable start of A/D conversion by external trigger
    P_AD.AMR.BIT.TRGE = 0;

    //Input_CH = 0-7 => Select ADC input channel
    P_AD.AMR.BIT.CH = (Input_CH + 4);

    //ADC Module standby mode is cleared
    P_SYSCR.CKSTPR1.BIT.ADCKSTP = 1;
}

//-----
/*
    start_adc(start)
*/

void start_adc(unsigned char start)
{
    if (start == 1)
        P_AD.ADSR.BYTE |= 0x80;           //Set ADSF : start A/D conversion
    else
        P_AD.ADSR.BYTE &= 0x7F;         //Set ADSF : stop A/D conversion
}

//-----
/*
    ADC_value()
*/

unsigned int ADC_value(void)
{
    unsigned int    adrrL, adrrH;
    unsigned int    valueL,valueH;
    unsigned int    D_value;

    adrrH = P_AD.ADRR >> 8;             //Capture the ADC value from AN#
    adrrL = P_AD.ADRR << 8;
    valueH = adrrH << 2;
    valueL = adrrL >> 14;
    D_value = valueL | valueH;
    return (D_value);
}

//-----
/*

```

```
    find_value() - find the maximum and minimum values of output1
*/

void find_value(void)
{
    unsigned int    temp_output1;

    init_adc(0);           //Initialize ADC channel 0

    start_adc(1);         //Start ADC

    while (P_AD.ADSR.BYTE & 0x80); //If ADSR = 1, A/D conversion in progress

    temp_output1 = ADC_value();

    if (temp_output1 > max)
    {
        max = temp_output1;
    }

    if (ADC_value() < min)
    {
        min = temp_output1;
    }
}

//-----

/*
    delay() - software delay routine
*/

void delay(void)
{
    unsigned int    delay_loop;

    for (delay_loop = 0 ; delay_loop < 30000 ; delay_loop++);
}

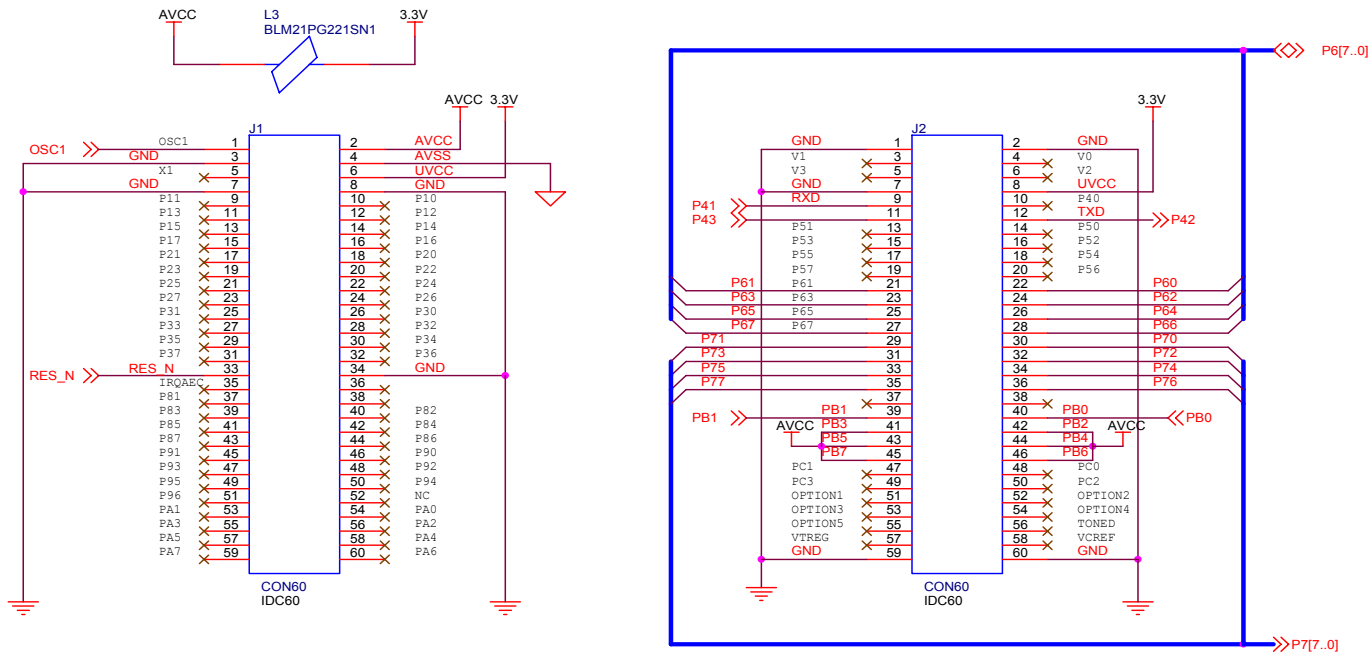
//-----

void abort(void)
{
}

//-----
```

4. Hardware Schematics

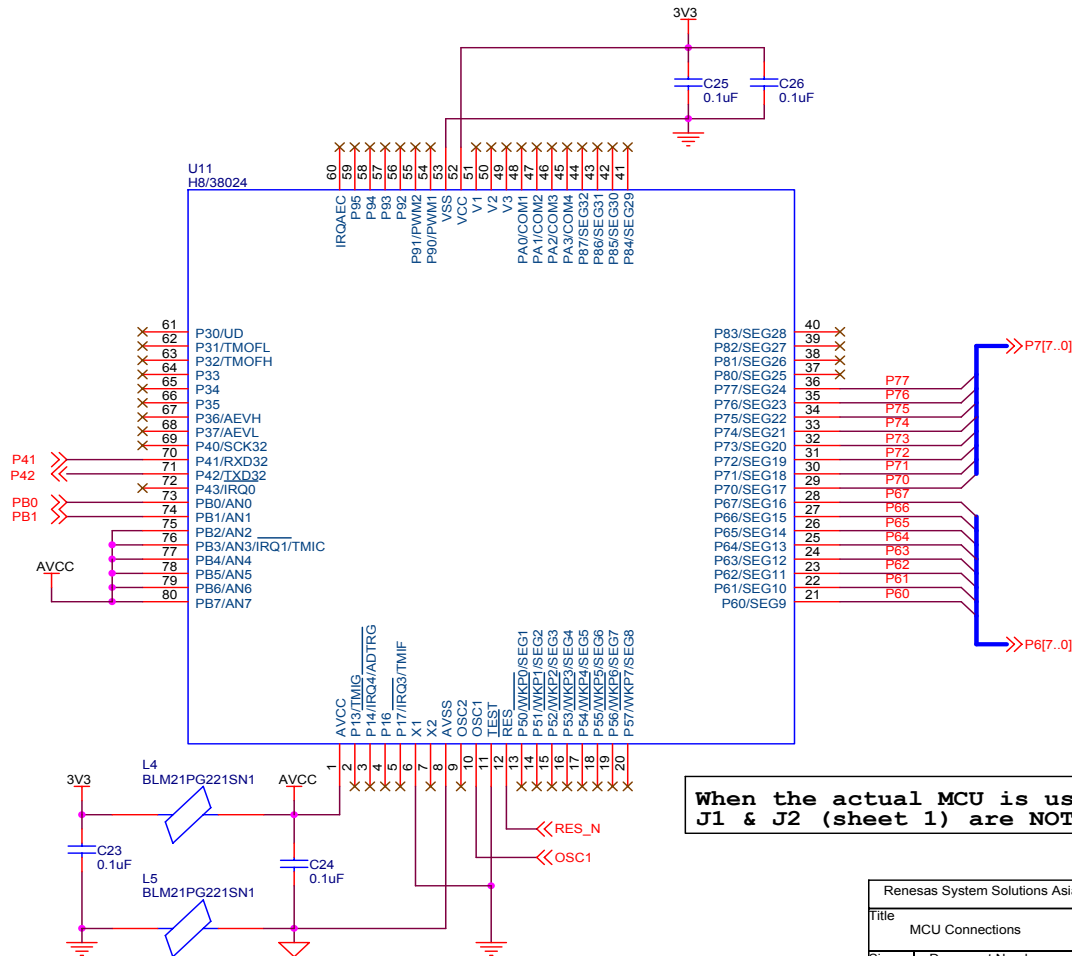
ALE300L User Connectors



When the ALE300L Emulator is used,
connectors J1 & J2 are connected

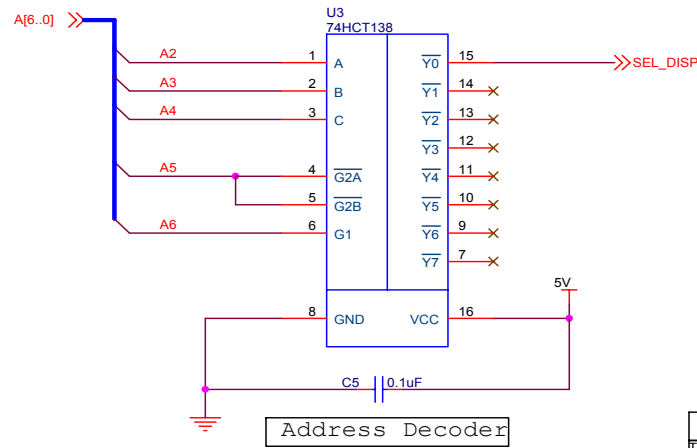
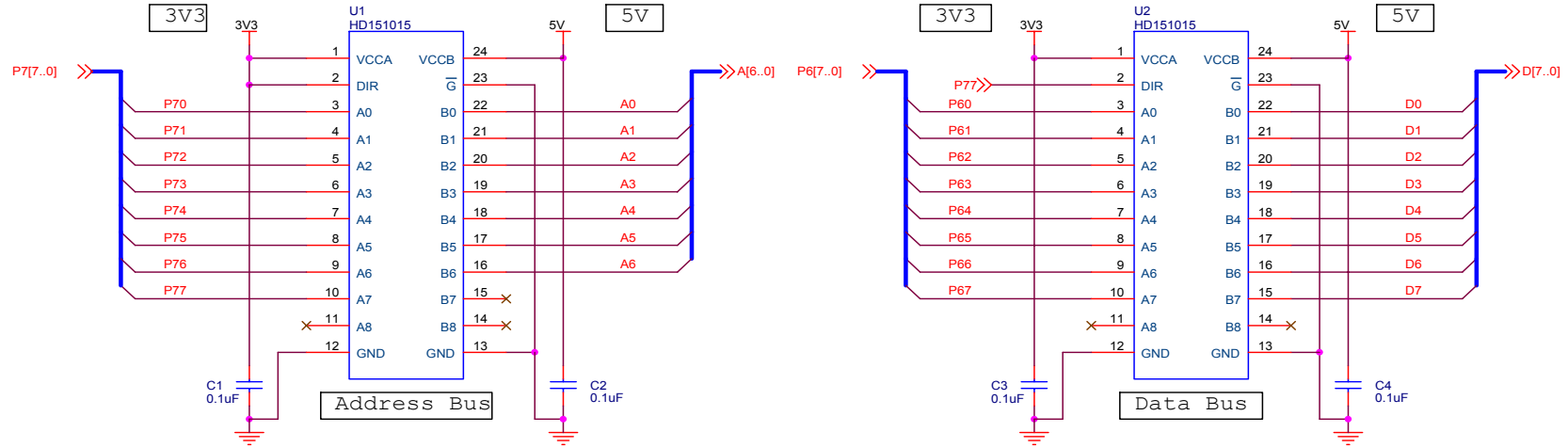
Renesas System Solutions Asia Pte Ltd - Singapore Engineering Centre			
Title ALE300L Emulator User Connectors			
Size A4	Document Number	Drawn by: = L.S. Lim	Rev 1.0
Date:	Friday, March 12, 2004	Sheet	1 of 6

MCU Connections



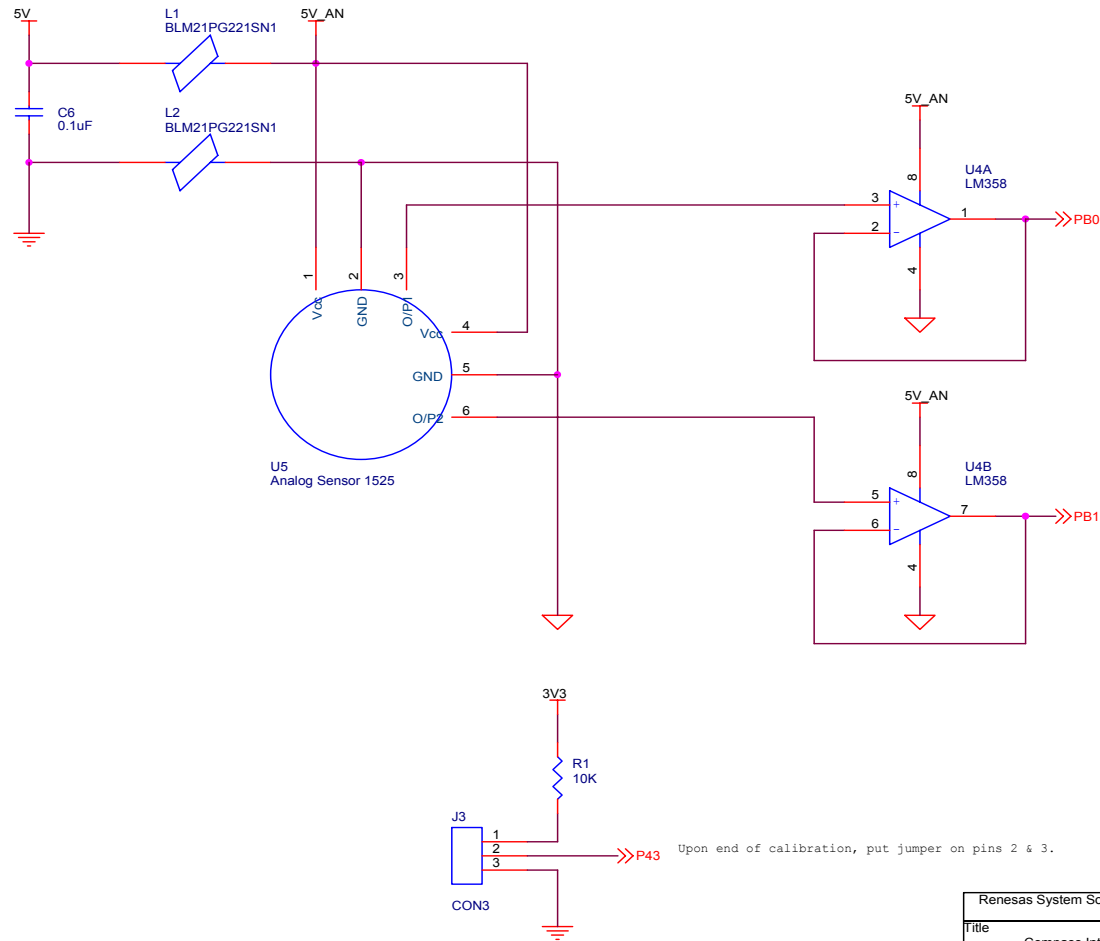
When the actual MCU is used, connectors J1 & J2 (sheet 1) are NOT connected.

Renesas System Solutions Asia Pte Ltd - Singapore Engineering Centre			
Title MCU Connections			
Size A4	Document Number	Drawn by: = L.S. Lim	Rev 1.0
Date: Friday, March 12, 2004	Sheet 2	of 6	



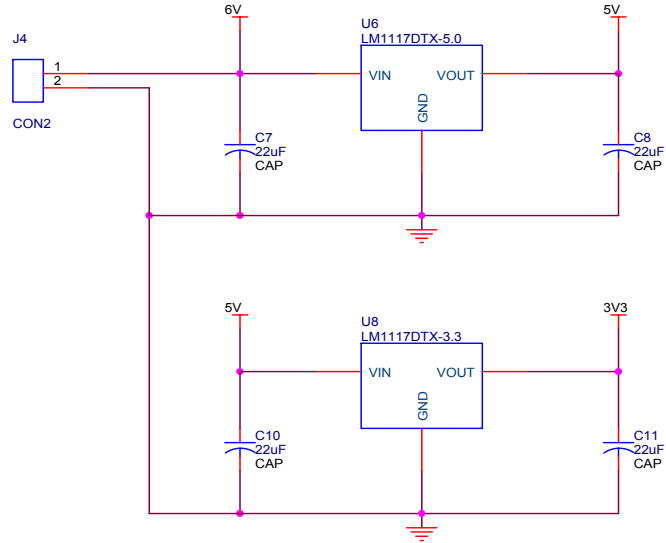
Renesas System Solutions Asia Pte Ltd - Singapore Engineering Centre		
Title Address/Data Buses		
Size A4	Document Number <Doc>	Rev 1.0
Date: Friday, March 12, 2004	Sheet 3	of 6

Compass Interface

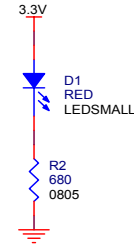


Renesas System Solutions Asia Pte Ltd - Singapore Engineering Centre			
Title Compass Interface			
Size A4	Document Number <Doc>	Drawn by = L.S.Lim	Rev 1.0
Date: Friday, March 12, 2004	Sheet 4	of 6	

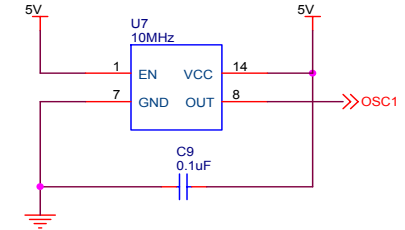
Power Supply



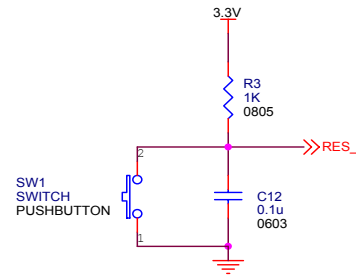
Power Indicator



Crystal Oscillator

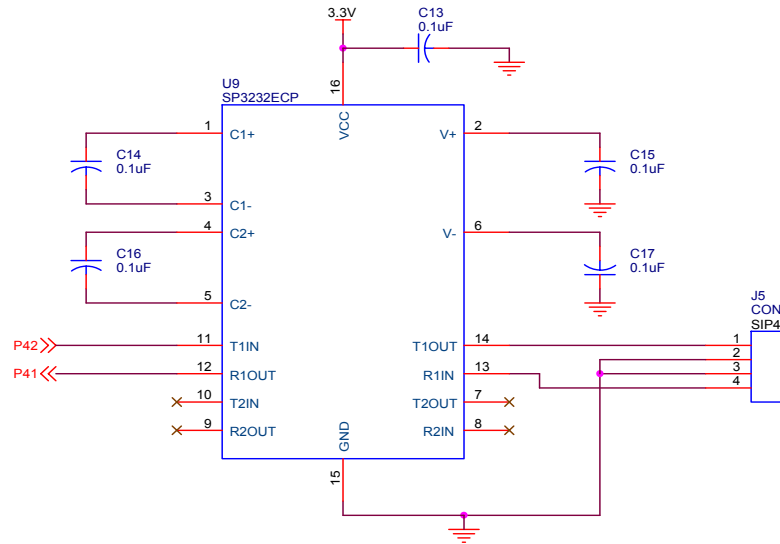


Reset



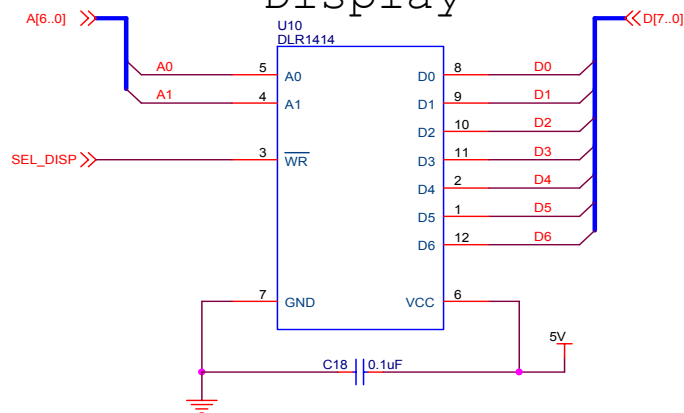
Renesas System Solutions Asia Pte Ltd - Singapore Engineering Centre			
Title: Power Supplies/Miscellaneous			
Size: A4	Document Number: <Doc>	Drawn by = L.S.Lim	Rev: 1.0
Date: Friday, March 12, 2004	Sheet: 5	of: 6	

Serial Communication Interface



To PC RS-232 Port
 PC RS-232 Port Configuration:
 Baud Rate : 38400
 Data : 8 bits
 Parity : None
 Stop : 1 bit
 Flow control : None

Display



Renesas System Solutions Asia Pte Ltd - Singapore Engineering Centre		
Title Serial Communication Interface/Display		
Size A4	Document Number <Doc>	Rev 1.0
Date: Friday, March 12, 2004	Drawn by = L.S.Lim	Sheet 6 of 6

5. References

1. *H8/38024, H8/38024S, H8/38024F-ZTAT Group Hardware Manual*, Revision 4, 26 May 2003, Renesas Technology Corporation.
2. *Dinsmore Sensing Systems General Information*, Dinsmore Sensors (<http://www.dinsmoresensors.com/>).
3. *LM1117/LM1117I 800mA Low-Dropout Linear Regulator*, 2002, National Semiconductor Corporation.
4. *LM158/LM258/LM358/LM2904 Low Power Dual Operational Amplifiers*, 2002, National Semiconductor Corporation.
5. *HD151015 9-bit Level Shifter/Transceiver with 3 State Outputs*, 3rd Edition, June 1993, Renesas Technology Corporation.
6. *Application Note on Detailed Usage of ADC*, 2003, Renesas Technology Corporation.
7. *DLR1414 4-character 5 × 7 Dot Matrix Alphanumeric Intelligent Display with Memory/Decode/Driver*, Infineon Technologies.

Revision Record

Rev.	Date	Description	
		Page	Summary
1.00	Mar.04	—	First edition issued

Keep safety first in your circuit designs!

1. Renesas Technology Corporation puts the maximum effort into making semiconductor products better and more reliable, but there is always the possibility that trouble may occur with them. Trouble with semiconductors may lead to personal injury, fire or property damage.
Remember to give due consideration to safety when making your circuit designs, with appropriate measures such as (i) placement of substitutive, auxiliary circuits, (ii) use of nonflammable material or (iii) prevention against any malfunction or mishap.

Notes regarding these materials

1. These materials are intended as a reference to assist our customers in the selection of the Renesas Technology Corporation product best suited to the customer's application; they do not convey any license under any intellectual property rights, or any other rights, belonging to Renesas Technology Corporation or a third party.
2. Renesas Technology Corporation assumes no responsibility for any damage, or infringement of any third-party's rights, originating in the use of any product data, diagrams, charts, programs, algorithms, or circuit application examples contained in these materials.
3. All information contained in these materials, including product data, diagrams, charts, programs and algorithms represents information on products at the time of publication of these materials, and are subject to change by Renesas Technology Corporation without notice due to product improvements or other reasons. It is therefore recommended that customers contact Renesas Technology Corporation or an authorized Renesas Technology Corporation product distributor for the latest product information before purchasing a product listed herein.
The information described here may contain technical inaccuracies or typographical errors. Renesas Technology Corporation assumes no responsibility for any damage, liability, or other loss rising from these inaccuracies or errors.
Please also pay attention to information published by Renesas Technology Corporation by various means, including the Renesas Technology Corporation Semiconductor home page (<http://www.renesas.com>).
4. When using any or all of the information contained in these materials, including product data, diagrams, charts, programs, and algorithms, please be sure to evaluate all information as a total system before making a final decision on the applicability of the information and products. Renesas Technology Corporation assumes no responsibility for any damage, liability or other loss resulting from the information contained herein.
5. Renesas Technology Corporation semiconductors are not designed or manufactured for use in a device or system that is used under circumstances in which human life is potentially at stake. Please contact Renesas Technology Corporation or an authorized Renesas Technology Corporation product distributor when considering the use of a product contained herein for any specific purposes, such as apparatus or systems for transportation, vehicular, medical, aerospace, nuclear, or undersea repeater use.
6. The prior written approval of Renesas Technology Corporation is necessary to reprint or reproduce in whole or in part these materials.
7. If these products or technologies are subject to the Japanese export control restrictions, they must be exported under a license from the Japanese government and cannot be imported into a country other than the approved destination.
Any diversion or reexport contrary to the export control laws and regulations of Japan and/or the country of destination is prohibited.
8. Please contact Renesas Technology Corporation for further details on these materials or the products contained therein.