

DIFFERENCES BETWEEN RX PRODUCTS REV.4.00

2023.9.27

NOTE

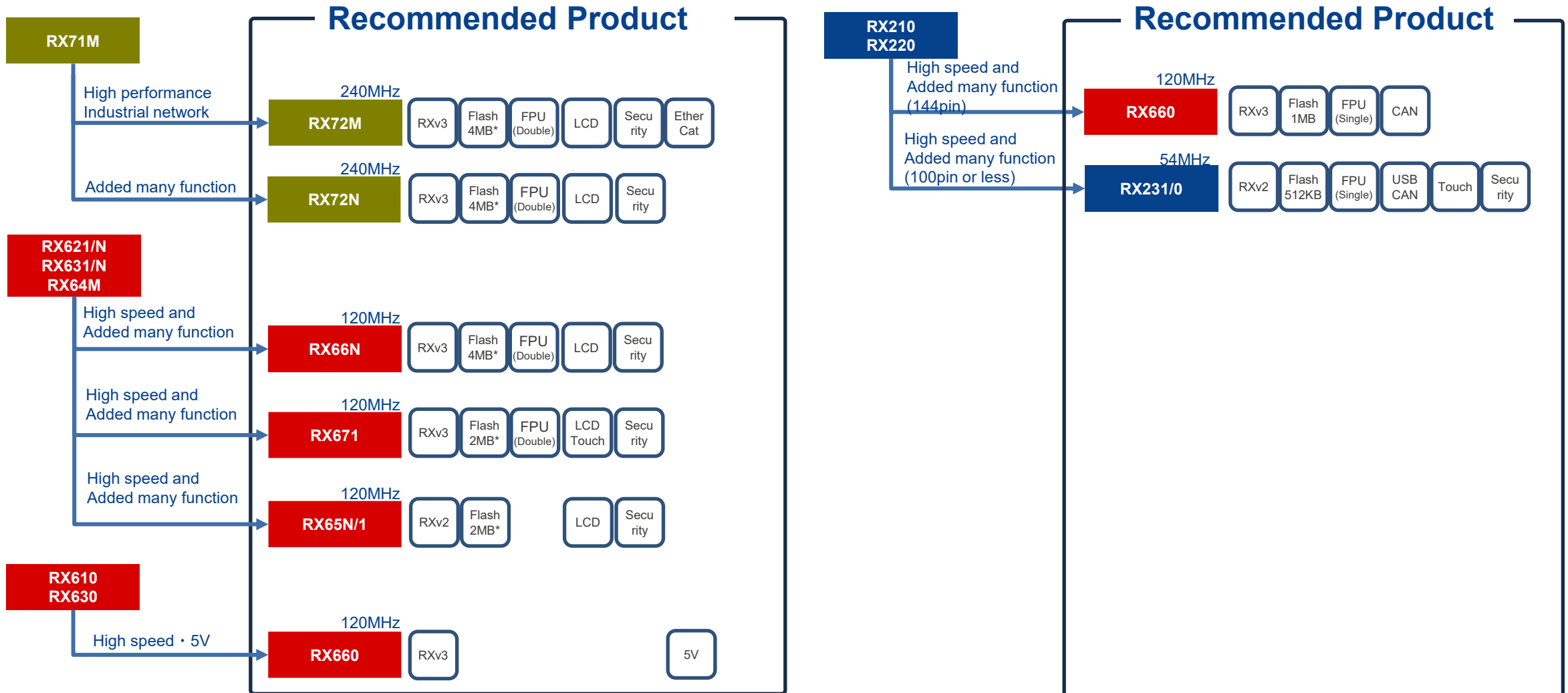
- This document contains the following two types of information.

- 1) RX Product Replace MAP: Introduces new products that are recommended when replacing RX products from the previous generation. P3~P4
- 2) Differences between RX product: We have prepared a document summarizing the differences in functions between each RX product. Click the number in the red frame to open that document.
 - Between RX600 series , Between RX700 series, Between RX600 series and RX700 series P5
 - Between RX100 series , Between RX200 series P6
 - Between RX-T series P7
 - Between RX600/700 series and RX100/200 series and RX-T series P8


RX PRODUCT REPLACE MAP

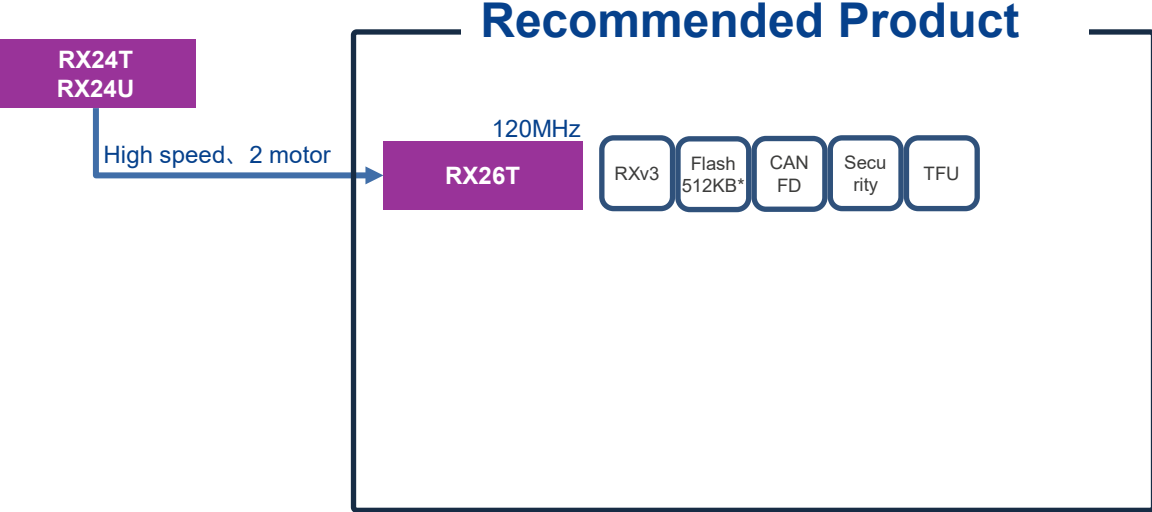
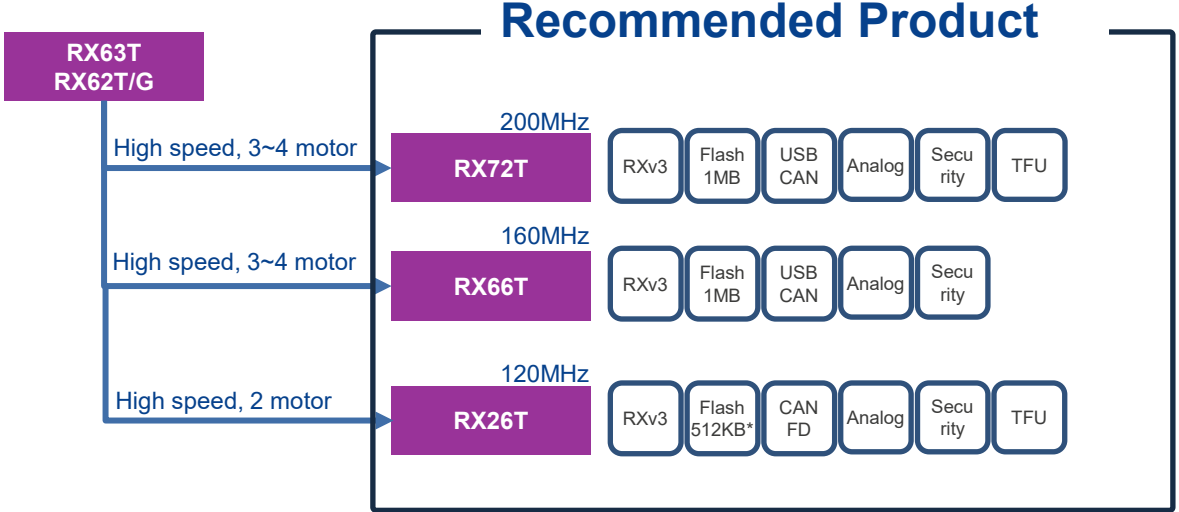
 : Enhancement point

* Dual Bank Support



RX PRODUCT REPLACE MAP

 : Enhancement point
 * Dual Bank Support

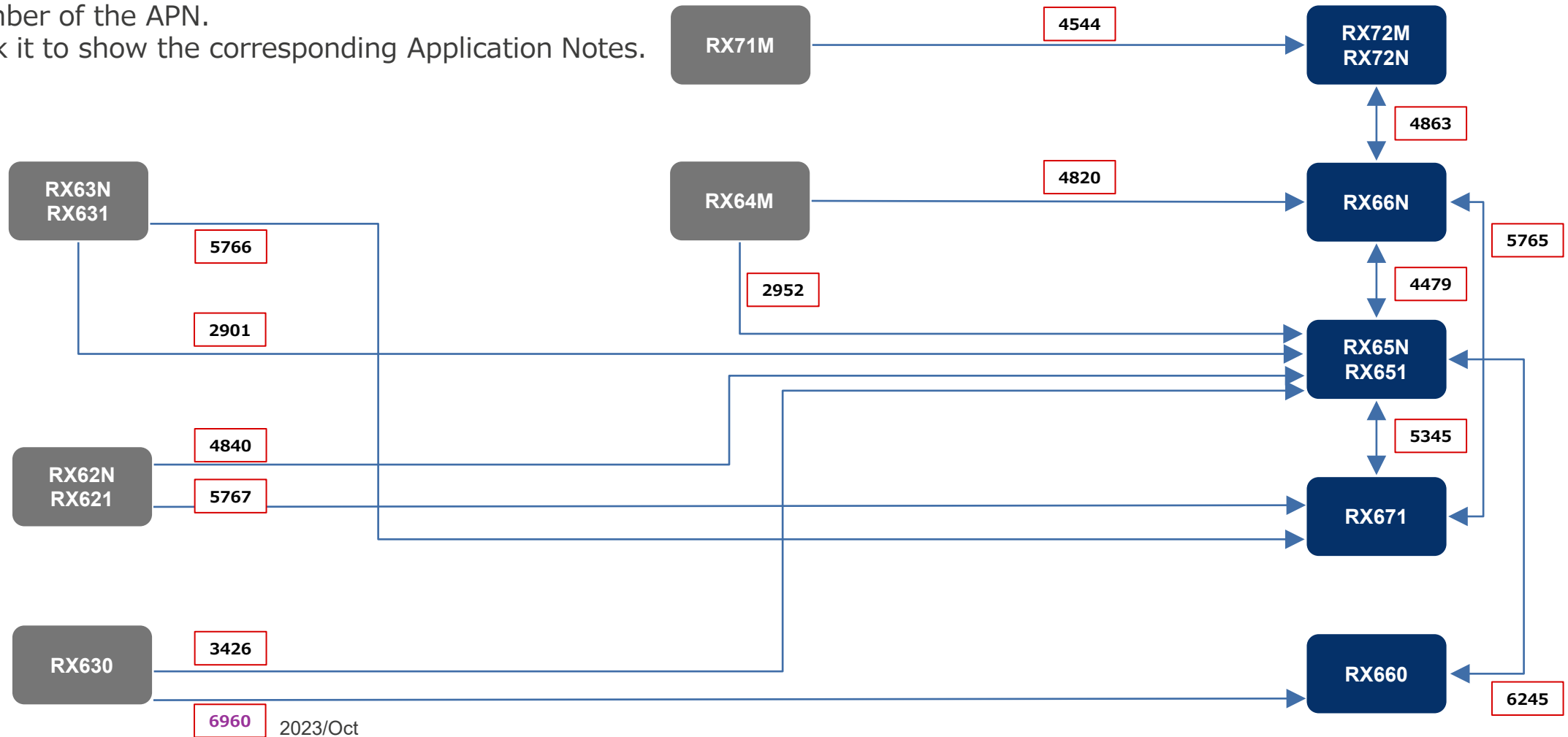


LINKS TO DIFFERENCES APPLICATION NOTES BETWEEN RX PRODUCTS (GENERAL-PURPOSE ~ RX600 RX700~)

● New

■ 1st generation products ■ Recommended products

The number in the red box indicates the document number of the APN.
Click it to show the corresponding Application Notes.

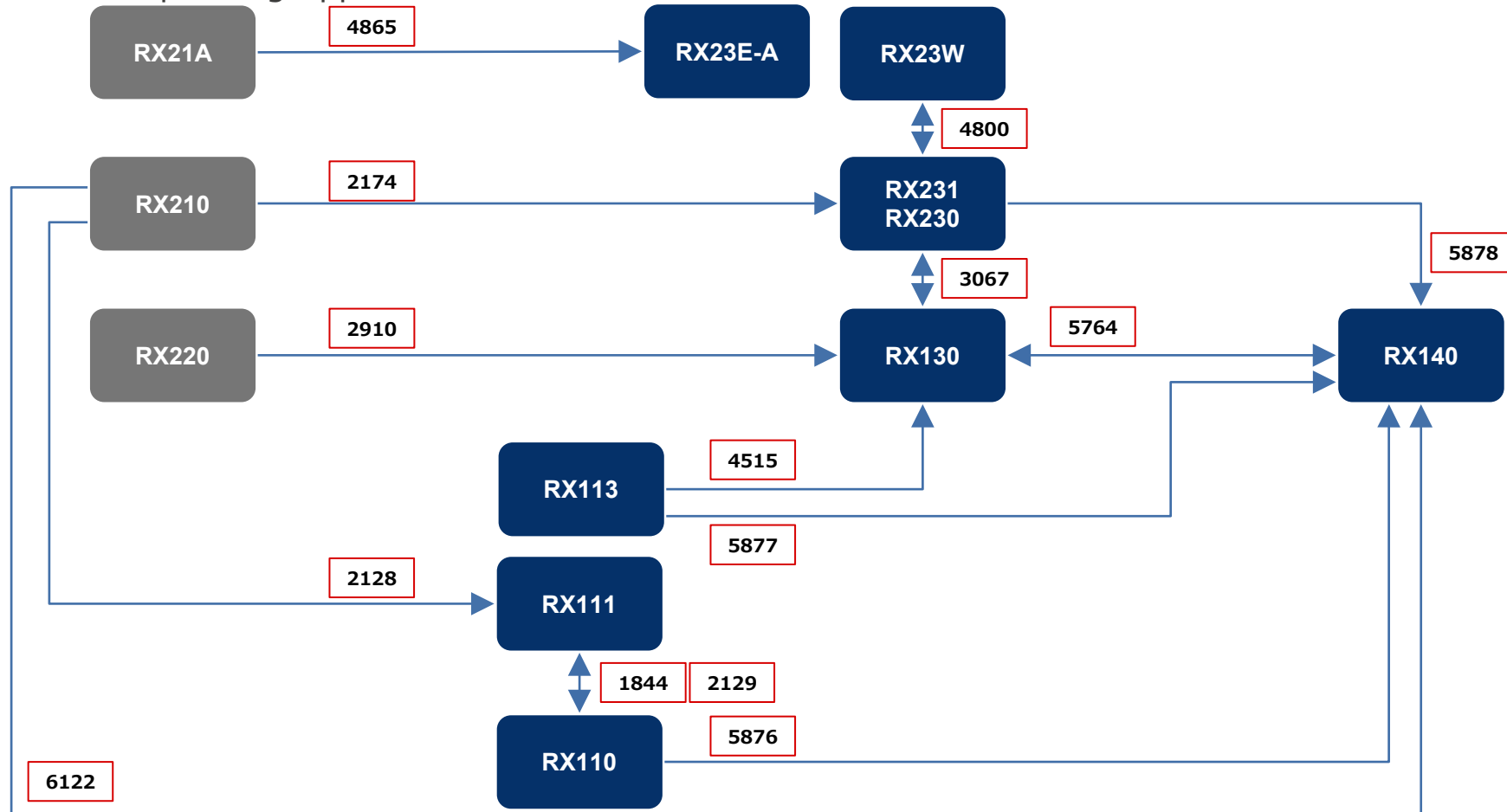


LINKS TO DIFFERENCES APPLICATION NOTES BETWEEN RX PRODUCTS (GENERAL-PURPOSE ~RX100 RX200 ~)

● New

■ 1st generation products ■ Recommended products

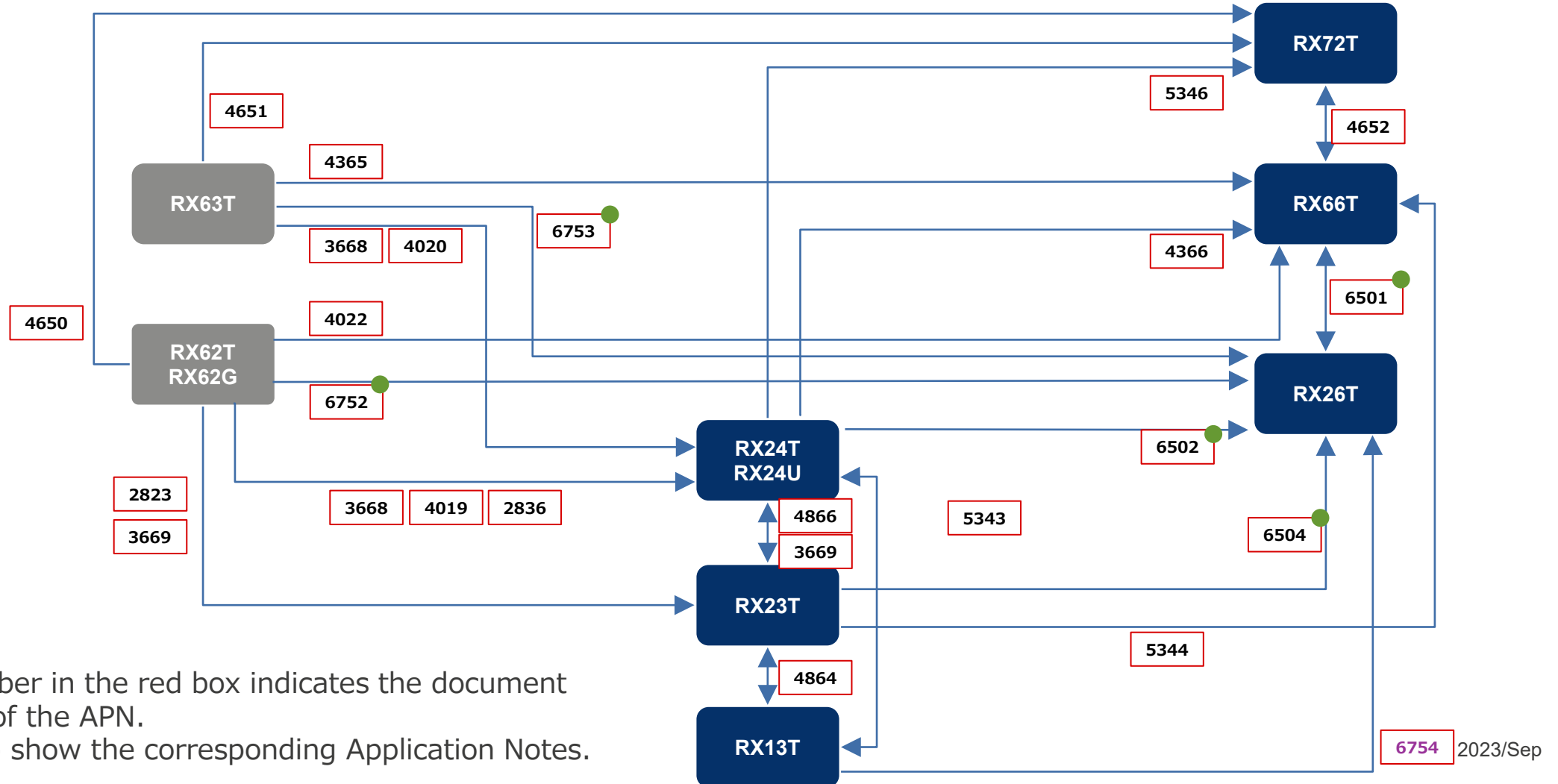
The number in the red box indicates the document number of the APN.
Click it to show the corresponding Application Notes.



LINKS TO DIFFERENCES APPLICATION NOTES BETWEEN RX PRODUCTS (RX-T)

● New

■ 1st generation products ■ Recommended products



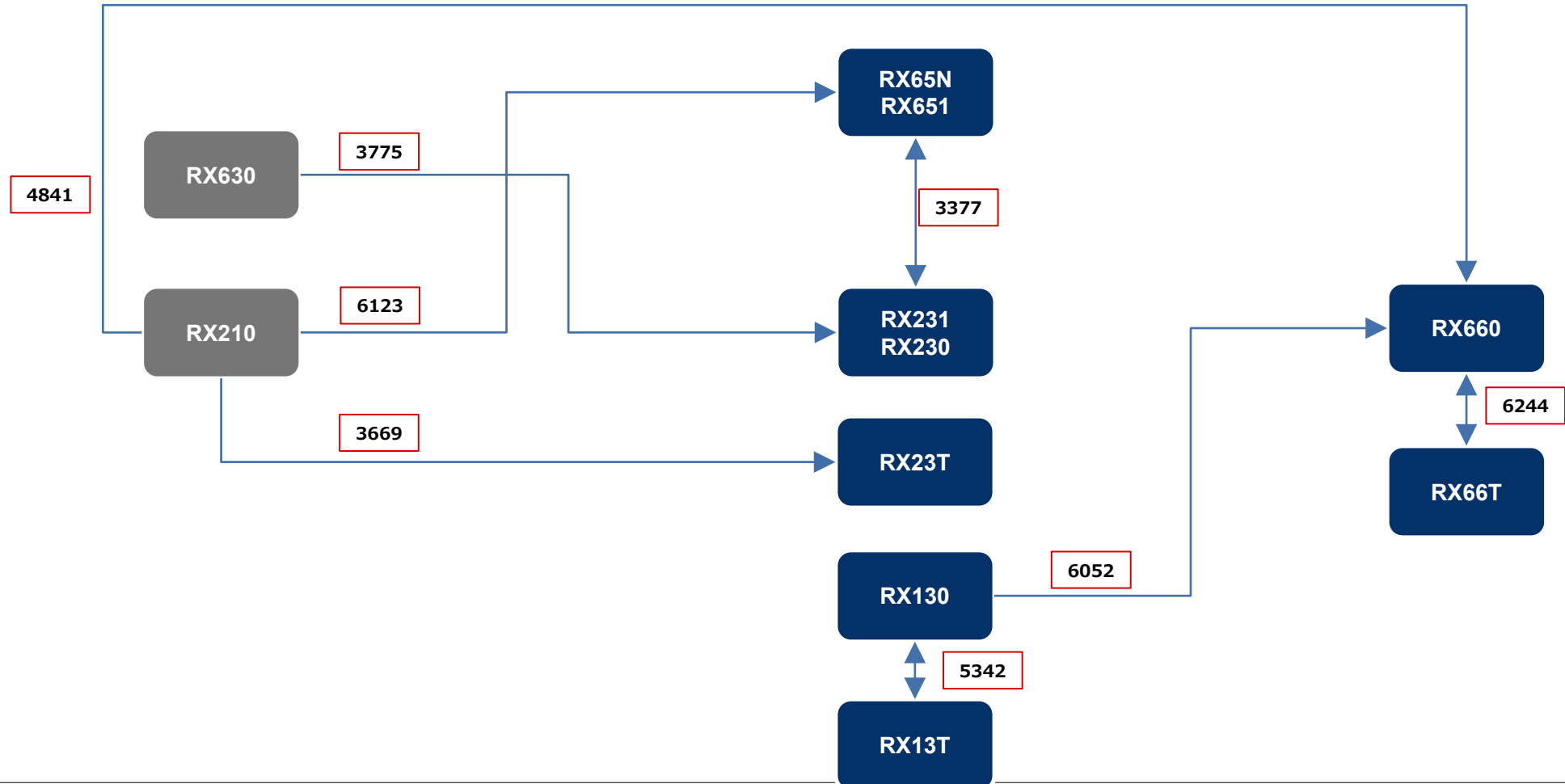
The number in the red box indicates the document number of the APN.
Click it to show the corresponding Application Notes.

LINKS TO DIFFERENCES APPLICATION NOTES BETWEEN RX PRODUCTS (GENERAL-PURPOSE RX100/200 ,RX600/700, RX-T)

● New

■ 1st generation products ■ Recommended products

The number in the red box indicates the document number of the APN.
Click it to show the corresponding Application Notes.



BIG IDEAS FOR EVERY SPACE

LINKS TO DIFFERENCES APPLICATION NOTES BETWEEN RX PRODUCTS (GENERAL-PURPOSE PRODUCTS)

● New

■ 1st generation products ■ Recommended products

The number in the red box indicates the document number of the APN.
Click it to show the corresponding Application Notes.

