

## Boost Converter. Single AA or AAA Cell Flashlight

SLG47513

This application note describes how to design and build a fully functional single AA or AAA cell flashlight.

The converter is built on the SLG47513. The IC is a low voltage programmable mixed signal matrix that is designed to be powered from a supply in a range of 1 to 1.65 V, ideal for a single non-rechargeable battery or a NiMH cell. In addition, the SLG47513 contains a huge amount of different macrocells which allows to easy create the circuit up to the task.

The application note comes complete with a design file that can be found in the [Reference](#) section.

## Contents

1. Terms and Definitions .....	1
2. References.....	2
3. Introduction.....	2
4. The Design.....	2
4.1 Circuit Design .....	3
4.2 Go Configure Project .....	4
4.3 PCB Design .....	5
4.4 Testing Results .....	6
5. Conclusions .....	7
6. Revision History .....	8

## 1. Terms and Definitions

ACMP	Analog Comparator
CNT/DLY	Counter-Delay
DC	Direct current
DFF	D Flip-flop
ESR	Equivalent Series Resistance
GPO	General Purpose Output
IC	Integrated Circuit
I/O	Input / Output
LED	Light Emitting Diode
LUT	Look-up Table
MF	Multi-function Macrocell
MOSFET	Metal-oxide-semiconductor Field-effect Transistor
OSC	Oscillator
PCB	Printed Circuit Board
PWM	Pulse Width Modulation

## 2. References

For related documents and software, please visit:

[SLG47513 - GreenPAK™ Programmable Mixed-signal Matrix | Renesas](#)

Download our free GreenPAK Designer software [1] to open the .gp files [2] and view the proposed circuit design. Use the GreenPAK development tools [3] to freeze the design into your own customized IC in a matter of minutes. Renesas provides a complete library of application notes [4] featuring design examples as well as explanations of features and blocks within the Renesas IC.

[1] [GreenPAK Designer Software](#), Software Download and User Guide, Renesas

[2] [AN-CM-362 Boost Converter. Single AA or AAA Cell Flashlight.gp](#), GreenPAK Design File, Renesas

[3] [GreenPAK Development Tools](#), GreenPAK Development Tools Webpage, Renesas

[4] [GreenPAK Application Notes](#), GreenPAK Application Notes Webpage, Renesas

[5] [SLG47513 Datasheet](#), Renesas Electronics

[6] [https://en.wikipedia.org/wiki/Boost\\_converter](https://en.wikipedia.org/wiki/Boost_converter)

## 3. Introduction

A boost converter (step-up converter) is a DC-to-DC power converter that steps up voltage (while stepping down current) from its input to the load. It is a class of switched-mode power supply (SMPS) containing at least two semiconductors (a diode and a transistor) and an energy storage element, an inductor in our case. To reduce voltage ripple, simple filters made of capacitors are normally added to such a converter's output and input.

A boost converter could be used to drive a powerful white LED, which requires a voltage of 2.7 to 3.6 V (depending on the type) from a single 1.2 or 1.5 V battery cell. Such a device is described in this paper.

## 4. The Design

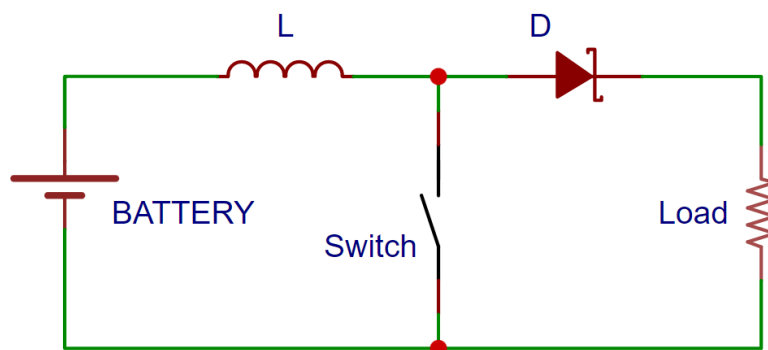


Figure 1: Boost DC-DC Converter Basic Diagram

Figure 1 shows a basic schematic diagram. The relationships between input and output voltage, current, and power are as follows:

- $U_{out} > U_{in}$
- $I_{out} < I_{in}$
- $P_{out} = P_{in} - P_{loss}$



## 4.2 Go Configure Project

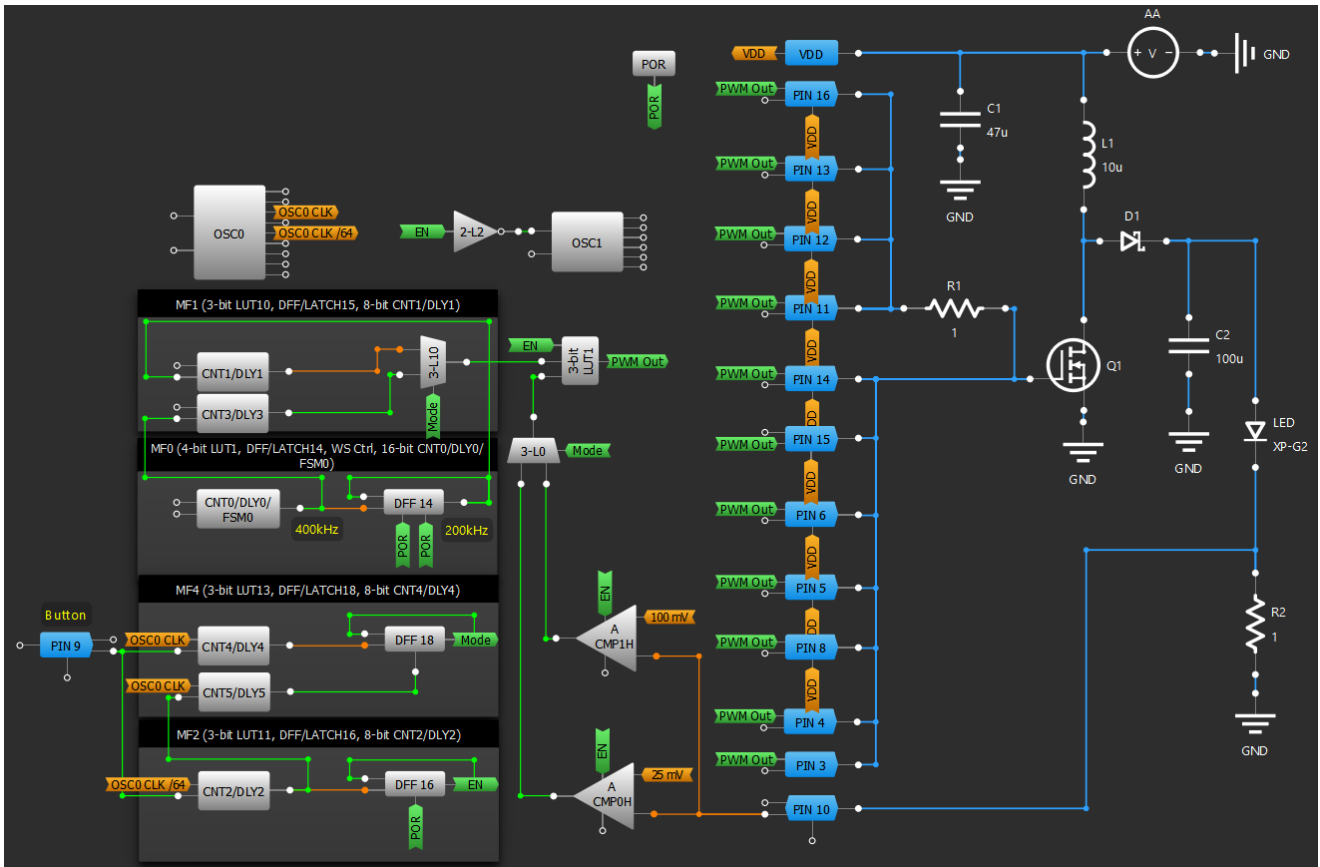


Figure 3: Boost DC-DC Converter Project

Since this boost regulator is designed to have two brightness modes (25A and 100 mA) and only one inductor, there must be two different PWM frequencies for each mode in order to ensure high efficiency. MF0 serves as a frequency divider with two outputs. CNT0/DLY0/FSM0 outputs 400 kHz for 25 mA mode and DFF14 outputs 200 kHz for 100 mA mode. The PWM logic is built on MF1 (CNT1/DLY1 and 3-L10) CNT3/DLY3, and 3-bit LUT1. The CNT3/DLY3 and CNT1/DLY1 sets the maximum duty cycle for both modes respectively. It remains at a maximum unless the feedback signal from either ACMP0H or ACMP1H through 3-L0 MUX cuts it to the width when the voltage on the current sense resistor is equal to the Vref maintaining a constant load current.

The SLG47513 has relatively low current outputs which are not suitable to drive high capacitive loads (like MOSFET gate) at high frequencies. But the abundance of them allows not only to connect them in parallel increasing output current (and ability to drive MOSFET), but make a combination of push-pull and open-drain outputs. That allows controlling the switch-on and off times of the MOSFET separately. In this case, Pins 11, 12, 13, and 16 are configured as 2x push-pull outputs and are charging and discharging the gate through the R1 current limiting resistor. But Pins 3, 4, 5, 6, 8, 14, and 15 are configured as 2x open-drain outputs (1x for Pins 3 and 4) are connected to the gate directly, and are only discharging its capacitance speeding up the turn-off time of the MOSFET improving the converter efficiency.

The ACMPs in this design are used in a current feedback loop. The output current is determined by the ACMP's Vref and the R2 resistance. In this case

$$V_{ref1} = I \times R = 100mA \times 1\text{ Ohm} = 100\text{ mV}$$

or

$$V_{ref2} = I \times R = 25mA \times 1\text{ Ohm} = 25\text{ mV}$$

Setting 25 mV reference for ACMP0H and 100mV for ACMP1H.

The combination of macrocells MF2, MF4, and CNT5/DLY5 make up the logic that allows the user to operate the flashlight using only one push button. A long press (> 1 s) will turn on/off the device, and a short press (< 1 s) will switch between the two modes.

Pin 9 is configured as a digital input with a Schmitt trigger and a 10k pull-up resistor. This setting ensures very stable work without any external components.

The CNT4/DLY4 is set as a 32 ms delay filtering out any button noise eliminating the need for an external capacitor. DFF18 latches one of two selected modes. Its output goes to two MUXs: 3-L10 which selects the PWM frequency and 3-L0 selects between ACMPs with different Vrefs. The CNT2/DLY2 is set to 1 s delay and together with DFF14 enables or disables both ACMPs and OSC1. So, when the device is OFF, all digital macrocells are static and analog ones are disabled except OSC0. In this state, current consumption is less than 2  $\mu$ A. The CNT5/DLY5 ensures the device will not switch modes while powering on/off.

### 4.3 PCB Design

For testing purposes, a PCB was designed, see [Figure 4](#) and [Figure 5](#).

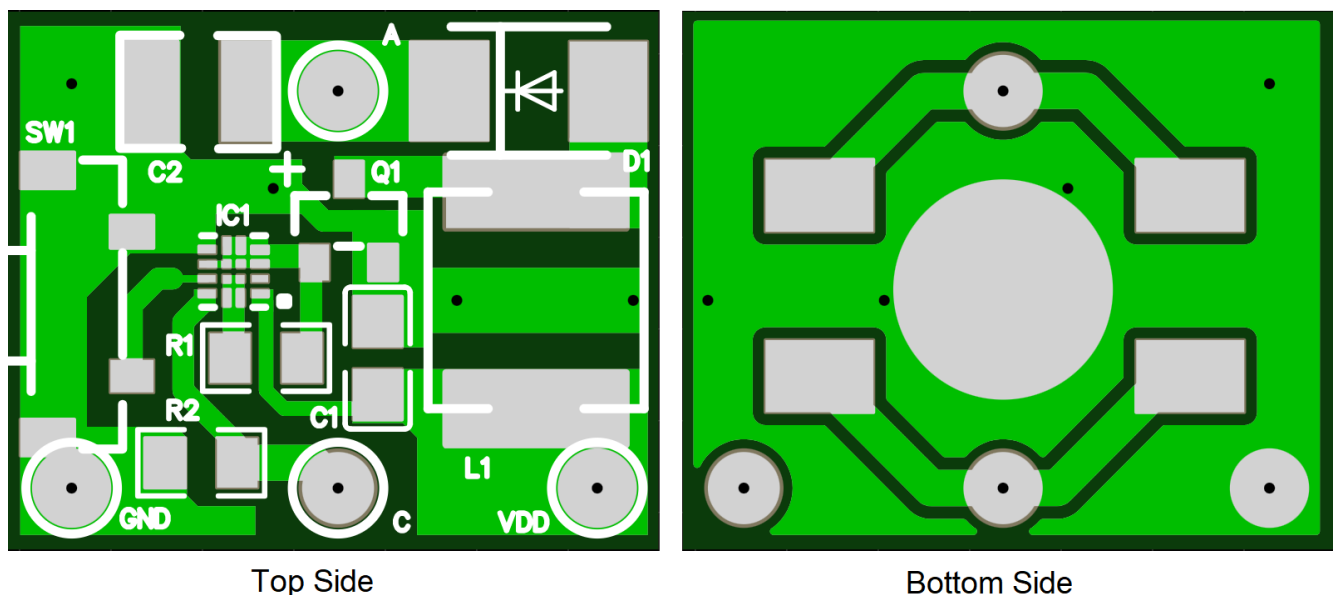


Figure 4: Test PCB

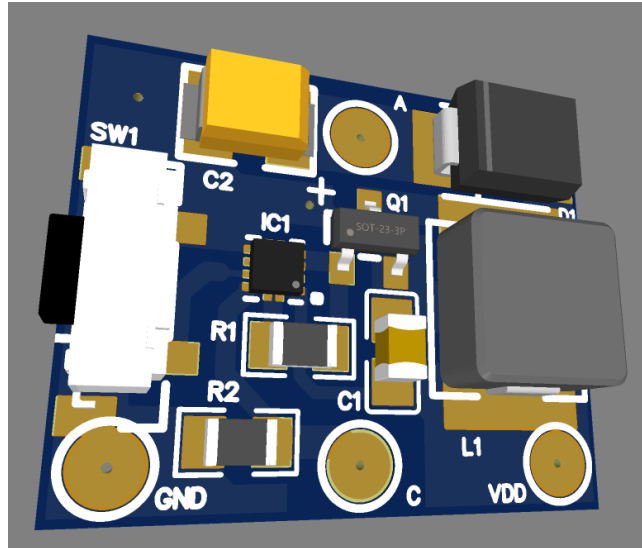


Figure 5: 3D View of the Device

#### 4.4 Testing Results

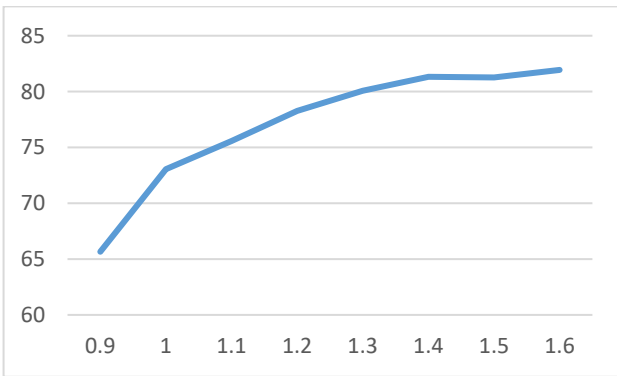


Figure 6: Efficiency vs. Input Voltage at 25 mA

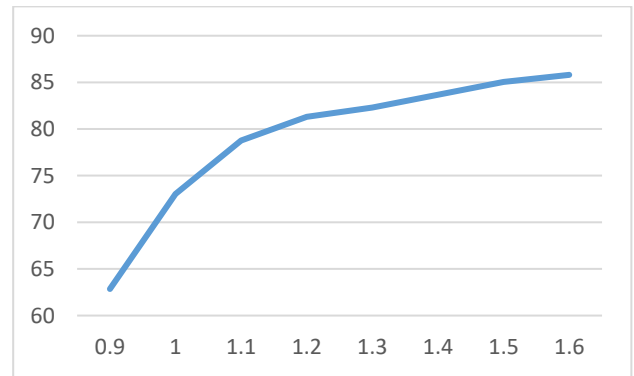


Figure 7: Efficiency vs. Input Voltage at 100 mA

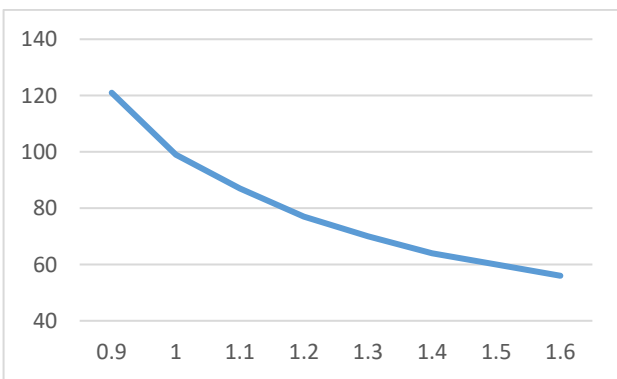


Figure 8: Input Current vs. Input Voltage

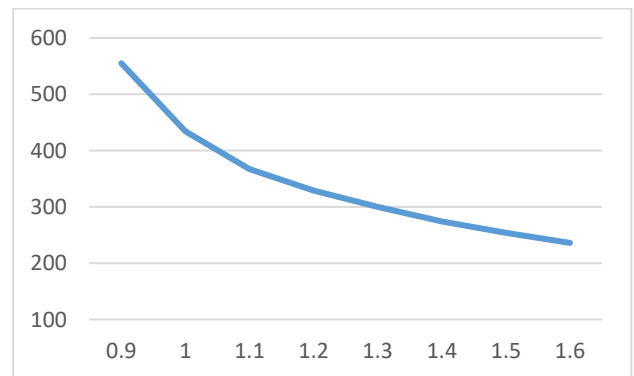


Figure 9: Input Current vs. Input Voltage

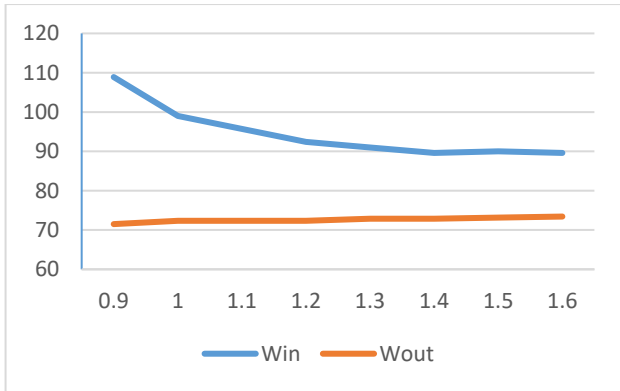


Figure 10: Input and Output Power vs. Input Voltage at 25 mA

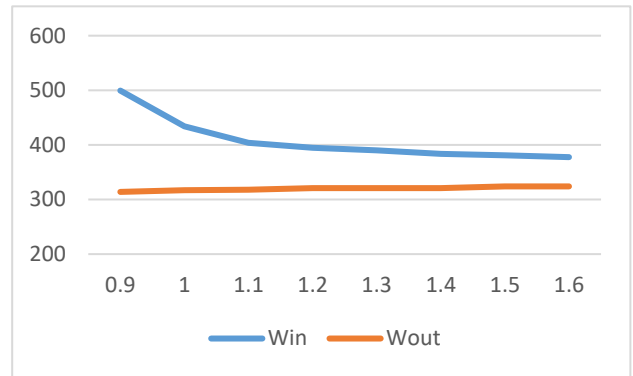


Figure 11: Input and Output Power vs. Input Voltage at 100 mA

## 5. Conclusions

As can be seen, designing and building a fully functional flashlight powered by a single AA or AAA battery cell is relatively easy using the SLG47513 IC. As an alternative, the SLG47512 IC could be used instead. The only difference is fewer output pins resulting in lower output current but still, it should be enough to drive the MOSFET. Both chips have all required macrocells and the circuit uses minimum external components which makes it very cost-effective. Should be noted that highly flexible Vref settings along with the current sense resistor allow setting almost any output current required by the LED.

## 6. Revision History

Revision	Date	Description
1.00	May 19, 2023	Initial release.



## IMPORTANT NOTICE AND DISCLAIMER

RENESAS ELECTRONICS CORPORATION AND ITS SUBSIDIARIES (“RENESAS”) PROVIDES TECHNICAL SPECIFICATIONS AND RELIABILITY DATA (INCLUDING DATASHEETS), DESIGN RESOURCES (INCLUDING REFERENCE DESIGNS), APPLICATION OR OTHER DESIGN ADVICE, WEB TOOLS, SAFETY INFORMATION, AND OTHER RESOURCES “AS IS” AND WITH ALL FAULTS, AND DISCLAIMS ALL WARRANTIES, EXPRESS OR IMPLIED, INCLUDING, WITHOUT LIMITATION, ANY IMPLIED WARRANTIES OF MERCHANTABILITY, FITNESS FOR A PARTICULAR PURPOSE, OR NON-INFRINGEMENT OF THIRD-PARTY INTELLECTUAL PROPERTY RIGHTS.

These resources are intended for developers who are designing with Renesas products. You are solely responsible for (1) selecting the appropriate products for your application, (2) designing, validating, and testing your application, and (3) ensuring your application meets applicable standards, and any other safety, security, or other requirements. These resources are subject to change without notice. Renesas grants you permission to use these resources only to develop an application that uses Renesas products. Other reproduction or use of these resources is strictly prohibited. No license is granted to any other Renesas intellectual property or to any third-party intellectual property. Renesas disclaims responsibility for, and you will fully indemnify Renesas and its representatives against, any claims, damages, costs, losses, or liabilities arising from your use of these resources. Renesas' products are provided only subject to Renesas' Terms and Conditions of Sale or other applicable terms agreed to in writing. No use of any Renesas resources expands or otherwise alters any applicable warranties or warranty disclaimers for these products.

(Disclaimer Rev.1.01 Jan 2024)

### Corporate Headquarters

TOYOSU FORESIA, 3-2-24 Toyosu,  
Koto-ku, Tokyo 135-0061, Japan  
[www.renesas.com](http://www.renesas.com)

### Trademarks

Renesas and the Renesas logo are trademarks of Renesas Electronics Corporation. All trademarks and registered trademarks are the property of their respective owners.

### Contact Information

For further information on a product, technology, the most up-to-date version of a document, or your nearest sales office, please visit [www.renesas.com/contact-us/](http://www.renesas.com/contact-us/).