

Power Crystal Oscillator With Feedback Stabilized Duty Cycle

Most crystal oscillators suffer from three drawbacks, they can't drive much of a load, the duty cycle is not adjustable, and the duty cycle drifts. This crystal oscillator circuit solves these problems: three parallel gates drive heavy loads (inverters can be used if the enable function isn't required), the duty cycle is adjustable from 25% to 75%, and drift is minimized by feedback.

The oscillator circuit consists of C_1 , C_2 , C_3 , R_1 , R_2 , R_{10} , one gate and the crystal. R_1 and R_{10} bias the gate in its linear region, while the capacitors form a π filter around the crystal. The π network preserves the crystal's Q, provides the correct loading capacitance for the crystal, and prevents oscillations at spur frequencies. R_2 limits the crystal's power dissipation to 5mW. The difference between the output voltage (3.9V) and the input voltage (2V) is about 1.9V (Typical TTL threshold voltage), so although it is an optimistic approximation, Equation 1 can be used to select R_2 .

$$R_2 \geq \frac{1.9^2}{P_{\text{CRYSTAL}}} = \frac{1.9^2}{5} K = 722\Omega \quad (\text{EQ. 1})$$

FOR $P_{\text{CRYSTAL}} = 5\text{mW}$, SELECT $R_2 = 750\Omega$

R_2 and C_3 form a low pass filter whose -3dB point should be set at $f_{\text{OSC}}/8$ or higher, this choice prevents spurious high frequency oscillations. The -3dB point for this design is selected as $f_{\text{OSC}}/8 = 625\text{kHz}$. C_3 is calculated from Equation 2.

$$C_3 = 1/2\pi f R_2 = 1/2\pi(6.25)(10^5)(750) = 339\text{pF} \approx 300\text{pF} \quad (\text{EQ. 2})$$

C_1 must be a large value to minimize the effects of stray capacitance changes, so C_1 is selected as 510pF. The series combination of C_1 , C_2 , and C_3 must equal the specified load capacitance for a parallel resonant crystal so:

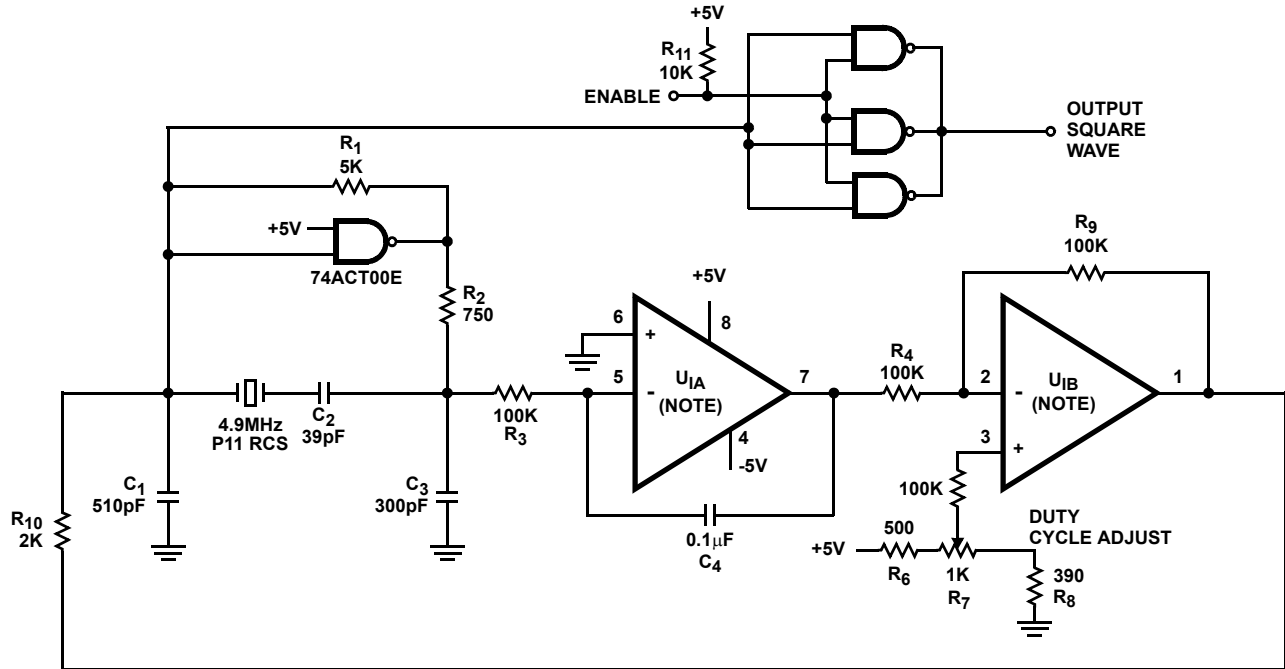
$$1/C_2 = 1/C_L - 1/C_1 - 1/C_3 \quad (\text{EQ. 3})$$

The load capacitance for the selected crystal is 32pF, requiring a C_2 of 38.5pF, thus C_2 is selected as 39pF. With the component values shown, the circuit oscillates at 5MHz with a parallel resonant crystal. The duty cycle is a function of the gate bias point resistors, therefore variations in logic gates cause variations in duty cycle, typically 30% to 65% with normal manufacturing tolerances. The duty cycle adjustment compensates for this variation, and the feedback provided by the op amps reduces drift to a fraction of a percent.

U_{1A} integrates the oscillator output into a DC level. The ICL7621A was chosen for this function because it has high input impedance, large output swing, and it functions with a 5V supply. U_{2A} sums the integrated signal with the duty cycle set point voltage to create an error signal. The feedback loop keeps the duty cycle constant by changing the oscillator gate bias point until the error signal reaches zero.

The output gates are paralleled for increased drive capability. All gates are in the same IC so they can safely be paralleled, and the oscillator/output gate delays will match well under reasonable loading. The enable input gates the oscillator output when required with just a gate delay. Gating the oscillator by turning it off/on incurs an oscillator start-up delay which is microseconds or longer. Replace the NAND gates with inverters when the enable function is not used.

If the output loading changes during operation, the feedback point can be taken from the output to compensate for varying loads. Beware, ringing resulting from poorly terminated transmission lines can cause duty cycle variations when the feedback point is taken from the output. If minimizing duty cycle drift is not important, feedback is not required, so R_{10} can be split into a 2.5K fixed and a 5K variable resistor connected to ground. This selection of R_{10} enables 25% to 75% duty cycle adjustment. For different logic families you must verify, and possibly reselect, the gate bias resistors.



NOTE: $1/2$ of ICL7621A

FIGURE 1. POWER CRYSTAL OSCILLATOR WITH FEEDBACK STABILIZED DUTY CYCLE

Notice

1. Descriptions of circuits, software and other related information in this document are provided only to illustrate the operation of semiconductor products and application examples. You are fully responsible for the incorporation or any other use of the circuits, software, and information in the design of your product or system. Renesas Electronics disclaims any and all liability for any losses and damages incurred by you or third parties arising from the use of these circuits, software, or information.
2. Renesas Electronics hereby expressly disclaims any warranties against and liability for infringement or any other claims involving patents, copyrights, or other intellectual property rights of third parties, by or arising from the use of Renesas Electronics products or technical information described in this document, including but not limited to, the product data, drawings, charts, programs, algorithms, and application examples.
3. No license, express, implied or otherwise, is granted hereby under any patents, copyrights or other intellectual property rights of Renesas Electronics or others.
4. You shall not alter, modify, copy, or reverse engineer any Renesas Electronics product, whether in whole or in part. Renesas Electronics disclaims any and all liability for any losses or damages incurred by you or third parties arising from such alteration, modification, copying or reverse engineering.
5. Renesas Electronics products are classified according to the following two quality grades: "Standard" and "High Quality". The intended applications for each Renesas Electronics product depends on the product's quality grade, as indicated below.
"Standard": Computers; office equipment; communications equipment; test and measurement equipment; audio and visual equipment; home electronic appliances; machine tools; personal electronic equipment; industrial robots; etc.
"High Quality": Transportation equipment (automobiles, trains, ships, etc.); traffic control (traffic lights); large-scale communication equipment; key financial terminal systems; safety control equipment; etc.
Unless expressly designated as a high reliability product or a product for harsh environments in a Renesas Electronics data sheet or other Renesas Electronics document, Renesas Electronics products are not intended or authorized for use in products or systems that may pose a direct threat to human life or bodily injury (artificial life support devices or systems; surgical implantations; etc.), or may cause serious property damage (space system; undersea repeaters; nuclear power control systems; aircraft control systems; key plant systems; military equipment; etc.). Renesas Electronics disclaims any and all liability for any damages or losses incurred by you or any third parties arising from the use of any Renesas Electronics product that is inconsistent with any Renesas Electronics data sheet, user's manual or other Renesas Electronics document.
6. When using Renesas Electronics products, refer to the latest product information (data sheets, user's manuals, application notes, "General Notes for Handling and Using Semiconductor Devices" in the reliability handbook, etc.), and ensure that usage conditions are within the ranges specified by Renesas Electronics with respect to maximum ratings, operating power supply voltage range, heat dissipation characteristics, installation, etc. Renesas Electronics disclaims any and all liability for any malfunctions, failure or accident arising out of the use of Renesas Electronics products outside of such specified ranges.
7. Although Renesas Electronics endeavors to improve the quality and reliability of Renesas Electronics products, semiconductor products have specific characteristics, such as the occurrence of failure at a certain rate and malfunctions under certain use conditions. Unless designated as a high reliability product or a product for harsh environments in a Renesas Electronics data sheet or other Renesas Electronics document, Renesas Electronics products are not subject to radiation resistance design. You are responsible for implementing safety measures to guard against the possibility of bodily injury, injury or damage caused by fire, and/or danger to the public in the event of a failure or malfunction of Renesas Electronics products, such as safety design for hardware and software, including but not limited to redundancy, fire control and malfunction prevention, appropriate treatment for aging degradation or any other appropriate measures. Because the evaluation of microcomputer software alone is very difficult and impractical, you are responsible for evaluating the safety of the final products or systems manufactured by you.
8. Please contact a Renesas Electronics sales office for details as to environmental matters such as the environmental compatibility of each Renesas Electronics product. You are responsible for carefully and sufficiently investigating applicable laws and regulations that regulate the inclusion or use of controlled substances, including without limitation, the EU RoHS Directive, and using Renesas Electronics products in compliance with all these applicable laws and regulations. Renesas Electronics disclaims any and all liability for damages or losses occurring as a result of your noncompliance with applicable laws and regulations.
9. Renesas Electronics products and technologies shall not be used for or incorporated into any products or systems whose manufacture, use, or sale is prohibited under any applicable domestic or foreign laws or regulations. You shall comply with any applicable export control laws and regulations promulgated and administered by the governments of any countries asserting jurisdiction over the parties or transactions.
10. It is the responsibility of the buyer or distributor of Renesas Electronics products, or any other party who distributes, disposes of, or otherwise sells or transfers the product to a third party, to notify such third party in advance of the contents and conditions set forth in this document.
11. This document shall not be reprinted, reproduced or duplicated in any form, in whole or in part, without prior written consent of Renesas Electronics.
12. Please contact a Renesas Electronics sales office if you have any questions regarding the information contained in this document or Renesas Electronics products.
(Note 1) "Renesas Electronics" as used in this document means Renesas Electronics Corporation and also includes its directly or indirectly controlled subsidiaries.
(Note 2) "Renesas Electronics product(s)" means any product developed or manufactured by or for Renesas Electronics.

(Rev.4.0-1 November 2017)



SALES OFFICES

Renesas Electronics Corporation

<http://www.renesas.com>

Refer to "<http://www.renesas.com/>" for the latest and detailed information.

Renesas Electronics America Inc.
1001 Murphy Ranch Road, Milpitas, CA 95035, U.S.A.
Tel: +1-408-432-8888, Fax: +1-408-434-5351

Renesas Electronics Canada Limited
9251 Yonge Street, Suite 8309 Richmond Hill, Ontario Canada L4C 9T3
Tel: +1-905-237-2004

Renesas Electronics Europe Limited
Dukes Meadow, Millboard Road, Bourne End, Buckinghamshire, SL8 5FH, U.K
Tel: +44-1628-651-700, Fax: +44-1628-651-804

Renesas Electronics Europe GmbH
Arcadiastrasse 10, 40472 Düsseldorf, Germany
Tel: +49-211-6503-0, Fax: +49-211-6503-1327

Renesas Electronics (China) Co., Ltd.
Room 1709 Quantum Plaza, No.27 ZhichunLu, Haidian District, Beijing, 100191 P. R. China
Tel: +86-10-8235-1155, Fax: +86-10-8235-7679

Renesas Electronics (Shanghai) Co., Ltd.
Unit 301, Tower A, Central Towers, 555 Langao Road, Putuo District, Shanghai, 200333 P. R. China
Tel: +86-21-2226-0888, Fax: +86-21-2226-0999

Renesas Electronics Hong Kong Limited
Unit 1601-1611, 16/F., Tower 2, Grand Century Place, 193 Prince Edward Road West, Mongkok, Kowloon, Hong Kong
Tel: +852-2265-6688, Fax: +852-2886-9022

Renesas Electronics Taiwan Co., Ltd.
13F, No. 363, Fu Shing North Road, Taipei 10543, Taiwan
Tel: +886-2-8175-9600, Fax: +886-2-8175-9670

Renesas Electronics Singapore Pte. Ltd.
80 Bendemeer Road, Unit #06-02 Hyflux Innovation Centre, Singapore 339949
Tel: +65-6213-0200, Fax: +65-6213-0300

Renesas Electronics Malaysia Sdn.Bhd.
Unit 1207, Block B, Menara Amcorp, Amcorp Trade Centre, No. 18, Jln Persiaran Barat, 46050 Petaling Jaya, Selangor Darul Ehsan, Malaysia
Tel: +60-3-7955-9390, Fax: +60-3-7955-9510

Renesas Electronics India Pvt. Ltd.
No.777C, 100 Feet Road, HAL 2nd Stage, Indiranagar, Bangalore 560 038, India
Tel: +91-80-67208700, Fax: +91-80-67208777

Renesas Electronics Korea Co., Ltd.
17F, KAMCO Yangjae Tower, 262, Gangnam-daero, Gangnam-gu, Seoul, 06265 Korea
Tel: +82-2-558-3737, Fax: +82-2-558-5338