

High Frequency AGC Has Digital Control

Introduction

Many systems (especially communications) require an AGC which will function at 50MHz. Self-calibrating systems such as automatic test equipment also need the high frequency response, but they add a requirement that the AGC output voltage be set by a digital signal. During the calibration cycle this test equipment will calculate the AGC output voltage needed to achieve the accuracy requirements, and they will increment the AGC output voltage until the system is within specifications. The AGC circuit described in Figure 1 uses a DAC to accomplish the digital control, and because the DAC is the reference input for the AGC circuit, it ultimately sets the AGC output voltage. The HI5731 was chosen for the DAC because it is inexpensive, it functions with 5V supplies, the output interfaces well with the AGC circuit, and it can be updated at a 100MHz rate. The heart of the AGC circuit is a variable gain amplifier made from a three transistor, long-tailed pair configuration, Q_1 , Q_2 , and Q_3 . When the base voltage of Q_3 is varied the emitter current of the long-tailed pair changes, forcing a gain change according to the following equation, where K is a function of the emitter current and V_{B3} is the base voltage of Q_3 :

$$G = K V_{IN} |V_{B3}| \quad (\text{EQ. 1})$$

The gain-control and bias-stability parameters of the circuit depend on the transistor matching, so the circuit uses a HFA3102-matched, long tailed array for Q_1 through Q_3 . The usable range of V_{B3} is -0.04 to -4.1V, which corresponds to a gain range of 0.8 to 17.6dB, respectively ($V_{IN} = 100\text{mV}$). This gain span is a total of 16.8dB. The gain is proportional to R_4 . Increasing R_4 increases the gain, but the gain span stays constant at approximately 16.8dB while the frequency response decreases.

The gain span limits the AGC circuit's ability to compensate for input voltage changes greater than the gain span, 16.8dB. If the input voltage change will exceed the gain span it can be almost doubled by putting two long-tailed pair in series; this is aided by the HFA3102 because it contains two long-tailed pairs. AC connect the collectors of the first stage differently to the bases of the second stage. Connecting the bases of the current source transistors in parallel enables the AGC circuit to maintain the same control function, while the gains of the two long-tailed pairs are multiplied thus, essentially doubling the gain span.

The input signal is amplified by the long-tailed pair to make the gained up output signal, which in turn is half-wave rectified by the HFA1103 to produce a quasi DC control voltage. The HFA1103 is a high speed op amp that has the lower half of the output stage disconnected, so because the output can't go below ground it make a fine half wave rectifier or sync stripper. R_9 , through R_{12} set the gain to two, and add a few mV of bias to ensure that the output is always positive. This DC voltage is compared with the DAC output voltage in the input stage of the CA5160 integrator. Because the integrator has a large DC gain it's output voltage will swing to any point within the supplies in an attempt to lock the loop. The DAC output sinks current from ground. R_5 and R_{16} form a voltage divider with DC offset, and this DC voltage, which is the reference input, V_R , for the AGC circuit, is compared with the output of U_1 in the integrator, U_2 .

The signal path has excellent frequency response because the HFA3102 is the only component in the signal path. The control path through U_1 does not have quite as good a frequency response, so R_4 or the input signal must be increased to provide control past 50MHz. The DAC transfers the digital input to an internal register on the rising edge of the clock pulses. The circuit uses the non-inverting DAC output to yield a positive-increasing transfer function, but you can obtain the inverse-transfer function by using the inverting DAC output (Table 1).

TABLE 1. AGC PERFORMANCE SUMMARY

PARAMETER	MINIMUM	MAXIMUM
Gain (dB)	0.8	17.6
V_{B3} (V)	-0.04	-4.1
V_R (V)	-0.045	-0.275
Digital Input/Non-Inverting Output	1111 1111 1111	0000 0000 0000 0000
Digital Input/Inverting Output	0000 0000 0000 0000	1111 1111 1111 1111

Fast DAC updates will not affect the output signal with the selected value of $C_1 = 1\mu\text{F}$ because the integrator filters out the change. When the DAC updates, the output voltage will slowly change to the new value. If the circuit is only used for system calibration where slow DAC updates are the rule, you can use a slower DAC. However, you may have to redesign

the interface circuit (U_2 and associated components) if the DAC output current swing changes. If the value of C_1 is decreased the amplitude of the output signal will tend to follow the DAC updates, thus, if the DAC updates are done in a sinusoidal manner the output signal will be amplitude modulated by the DAC update frequency.

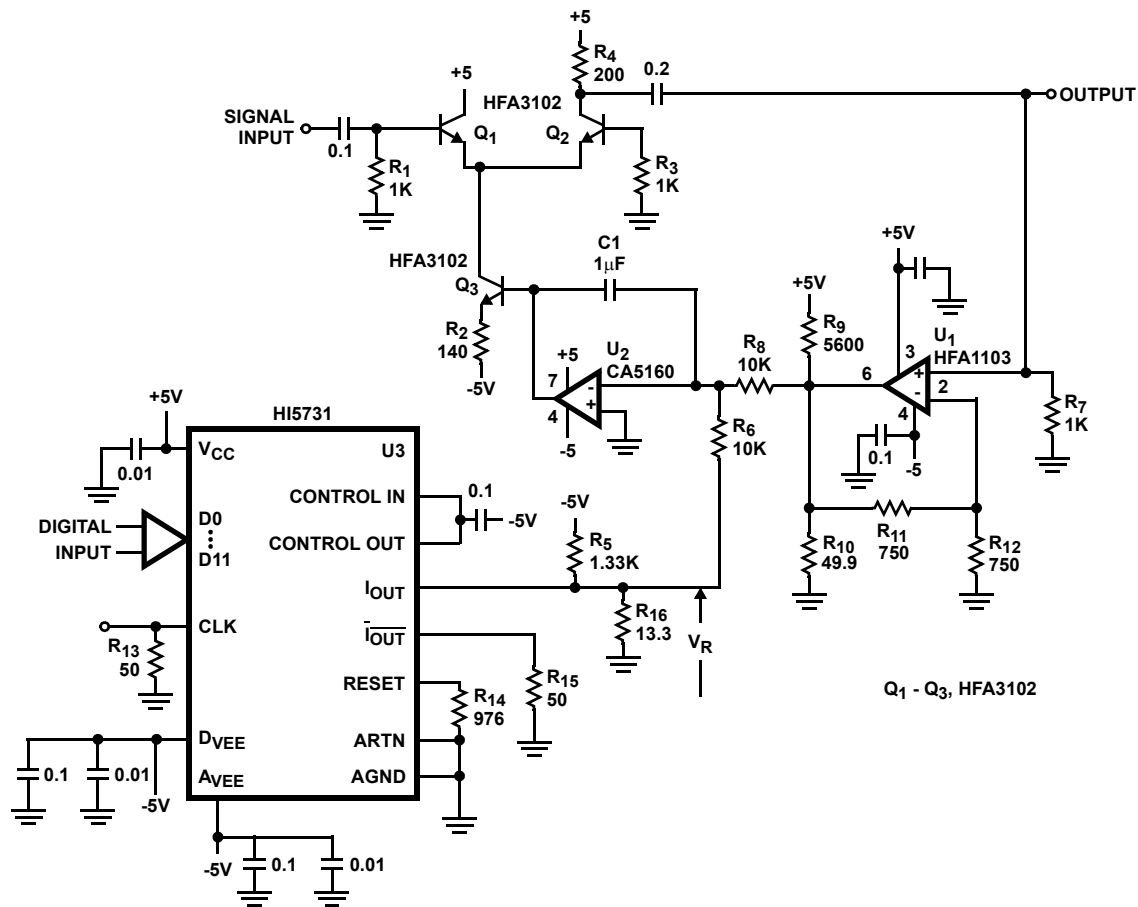


FIGURE 1. HIGH FREQUENCY AGC HAS DIGITAL CONTROL

Notice

1. Descriptions of circuits, software and other related information in this document are provided only to illustrate the operation of semiconductor products and application examples. You are fully responsible for the incorporation or any other use of the circuits, software, and information in the design of your product or system. Renesas Electronics disclaims any and all liability for any losses and damages incurred by you or third parties arising from the use of these circuits, software, or information.
2. Renesas Electronics hereby expressly disclaims any warranties against and liability for infringement or any other claims involving patents, copyrights, or other intellectual property rights of third parties, by or arising from the use of Renesas Electronics products or technical information described in this document, including but not limited to, the product data, drawings, charts, programs, algorithms, and application examples.
3. No license, express, implied or otherwise, is granted hereby under any patents, copyrights or other intellectual property rights of Renesas Electronics or others.
4. You shall not alter, modify, copy, or reverse engineer any Renesas Electronics product, whether in whole or in part. Renesas Electronics disclaims any and all liability for any losses or damages incurred by you or third parties arising from such alteration, modification, copying or reverse engineering.
5. Renesas Electronics products are classified according to the following two quality grades: "Standard" and "High Quality". The intended applications for each Renesas Electronics product depends on the product's quality grade, as indicated below.
"Standard": Computers; office equipment; communications equipment; test and measurement equipment; audio and visual equipment; home electronic appliances; machine tools; personal electronic equipment; industrial robots; etc.
"High Quality": Transportation equipment (automobiles, trains, ships, etc.); traffic control (traffic lights); large-scale communication equipment; key financial terminal systems; safety control equipment; etc.
Unless expressly designated as a high reliability product or a product for harsh environments in a Renesas Electronics data sheet or other Renesas Electronics document, Renesas Electronics products are not intended or authorized for use in products or systems that may pose a direct threat to human life or bodily injury (artificial life support devices or systems; surgical implantations; etc.), or may cause serious property damage (space system; undersea repeaters; nuclear power control systems; aircraft control systems; key plant systems; military equipment; etc.). Renesas Electronics disclaims any and all liability for any damages or losses incurred by you or any third parties arising from the use of any Renesas Electronics product that is inconsistent with any Renesas Electronics data sheet, user's manual or other Renesas Electronics document.
6. When using Renesas Electronics products, refer to the latest product information (data sheets, user's manuals, application notes, "General Notes for Handling and Using Semiconductor Devices" in the reliability handbook, etc.), and ensure that usage conditions are within the ranges specified by Renesas Electronics with respect to maximum ratings, operating power supply voltage range, heat dissipation characteristics, installation, etc. Renesas Electronics disclaims any and all liability for any malfunctions, failure or accident arising out of the use of Renesas Electronics products outside of such specified ranges.
7. Although Renesas Electronics endeavors to improve the quality and reliability of Renesas Electronics products, semiconductor products have specific characteristics, such as the occurrence of failure at a certain rate and malfunctions under certain use conditions. Unless designated as a high reliability product or a product for harsh environments in a Renesas Electronics data sheet or other Renesas Electronics document, Renesas Electronics products are not subject to radiation resistance design. You are responsible for implementing safety measures to guard against the possibility of bodily injury, injury or damage caused by fire, and/or danger to the public in the event of a failure or malfunction of Renesas Electronics products, such as safety design for hardware and software, including but not limited to redundancy, fire control and malfunction prevention, appropriate treatment for aging degradation or any other appropriate measures. Because the evaluation of microcomputer software alone is very difficult and impractical, you are responsible for evaluating the safety of the final products or systems manufactured by you.
8. Please contact a Renesas Electronics sales office for details as to environmental matters such as the environmental compatibility of each Renesas Electronics product. You are responsible for carefully and sufficiently investigating applicable laws and regulations that regulate the inclusion or use of controlled substances, including without limitation, the EU RoHS Directive, and using Renesas Electronics products in compliance with all these applicable laws and regulations. Renesas Electronics disclaims any and all liability for damages or losses occurring as a result of your noncompliance with applicable laws and regulations.
9. Renesas Electronics products and technologies shall not be used for or incorporated into any products or systems whose manufacture, use, or sale is prohibited under any applicable domestic or foreign laws or regulations. You shall comply with any applicable export control laws and regulations promulgated and administered by the governments of any countries asserting jurisdiction over the parties or transactions.
10. It is the responsibility of the buyer or distributor of Renesas Electronics products, or any other party who distributes, disposes of, or otherwise sells or transfers the product to a third party, to notify such third party in advance of the contents and conditions set forth in this document.
11. This document shall not be reprinted, reproduced or duplicated in any form, in whole or in part, without prior written consent of Renesas Electronics.
12. Please contact a Renesas Electronics sales office if you have any questions regarding the information contained in this document or Renesas Electronics products.
(Note 1) "Renesas Electronics" as used in this document means Renesas Electronics Corporation and also includes its directly or indirectly controlled subsidiaries.
(Note 2) "Renesas Electronics product(s)" means any product developed or manufactured by or for Renesas Electronics.

(Rev.4.0-1 November 2017)



SALES OFFICES

Renesas Electronics Corporation

<http://www.renesas.com>

Refer to "<http://www.renesas.com/>" for the latest and detailed information.

Renesas Electronics America Inc.
1001 Murphy Ranch Road, Milpitas, CA 95035, U.S.A.
Tel: +1-408-432-8888, Fax: +1-408-434-5351

Renesas Electronics Canada Limited
9251 Yonge Street, Suite 8309 Richmond Hill, Ontario Canada L4C 9T3
Tel: +1-905-237-2004

Renesas Electronics Europe Limited
Dukes Meadow, Millboard Road, Bourne End, Buckinghamshire, SL8 5FH, U.K
Tel: +44-1628-651-700, Fax: +44-1628-651-804

Renesas Electronics Europe GmbH
Arcadiastrasse 10, 40472 Düsseldorf, Germany
Tel: +49-211-6503-0, Fax: +49-211-6503-1327

Renesas Electronics (China) Co., Ltd.
Room 1709 Quantum Plaza, No.27 ZhichunLu, Haidian District, Beijing, 100191 P. R. China
Tel: +86-10-8235-1155, Fax: +86-10-8235-7679

Renesas Electronics (Shanghai) Co., Ltd.
Unit 301, Tower A, Central Towers, 555 Langao Road, Putuo District, Shanghai, 200333 P. R. China
Tel: +86-21-2226-0888, Fax: +86-21-2226-0999

Renesas Electronics Hong Kong Limited
Unit 1601-1611, 16/F., Tower 2, Grand Century Place, 193 Prince Edward Road West, Mongkok, Kowloon, Hong Kong
Tel: +852-2265-6688, Fax: +852-2886-9022

Renesas Electronics Taiwan Co., Ltd.
13F, No. 363, Fu Shing North Road, Taipei 10543, Taiwan
Tel: +886-2-8175-9600, Fax: +886-2-8175-9670

Renesas Electronics Singapore Pte. Ltd.
80 Bendemeer Road, Unit #06-02 Hyflux Innovation Centre, Singapore 339949
Tel: +65-6213-0200, Fax: +65-6213-0300

Renesas Electronics Malaysia Sdn.Bhd.
Unit 1207, Block B, Menara Amcorp, Amcorp Trade Centre, No. 18, Jln Persiaran Barat, 46050 Petaling Jaya, Selangor Darul Ehsan, Malaysia
Tel: +60-3-7955-9390, Fax: +60-3-7955-9510

Renesas Electronics India Pvt. Ltd.
No.777C, 100 Feet Road, HAL 2nd Stage, Indiranagar, Bangalore 560 038, India
Tel: +91-80-67208700, Fax: +91-80-67208777

Renesas Electronics Korea Co., Ltd.
17F, KAMCO Yangjae Tower, 262, Gangnam-daero, Gangnam-gu, Seoul, 06265 Korea
Tel: +82-2-558-3737, Fax: +82-2-558-5338