

Introduction

VMI was developed in cooperation with several multimedia IC companies in order to standardize the video interfaces between devices such as MPEG decoders, NTSC/PAL decoders, and GUI accelerators. It is primarily based on the output interface and timing of the Philip's SAA7111 NTSC/PAL decoder.

Video Data Format

An 8-bit 4:2:2 YCbCr interface is normally used, similar to that used by the BT.656 parallel interface. However, the EAV and SAV sequences that BT.656 uses are not present.

The 4:2:2 YCbCr data is multiplexed into an 8-bit stream: Cb₀Y₀Cr₀Y₁Cb₂Y₂Cr₂, etc. Figures 1 and 2 illustrate the format for 525/60 and 625/50 video systems, respectively, using 8-bit YCbCr data.

The stream of active data words always begins with a Cb sample. In the multiplexed sequence, the co-sited samples (those that correspond to the same point on the picture) are grouped as Cb, Y, Cr.

VMI does not define a specific pixel clock rate. However, most rectangular pixel applications sample each line of video at 13.5MHz, generating 720 active samples of 24-bit 4:4:4 YCbCr data, as shown in Figures 3 and 4. This is converted to 16-bit 4:2:2 YCbCr data, resulting in 720 active samples of Y per line, and 360 active samples each of Cb and Cr per line. The Y data and the CbCr data are multiplexed, and the 13.5MHz sample clock rate is increased by two to 27MHz.

VMI also does not define any horizontal or vertical blanking intervals, using instead a programmable blanking signal (VACTIVE). For most rectangular pixel applications, the vertical blanking intervals will be as shown in Figures 5 and 6. Note that active resolutions other than 720 x 486 and 720 x 576 may be supported (effectively cropping the image) by adjusting the timing of VACTIVE.

Square Pixel Variation

A variation using square pixels may also be used. Instead of a 27MHz clock, a 24.54MHz clock is used for 525/60 video systems (640 x 480 active resolution), and a 29.5MHz clock is used for 625/50 video systems (768 x 576 active resolution).

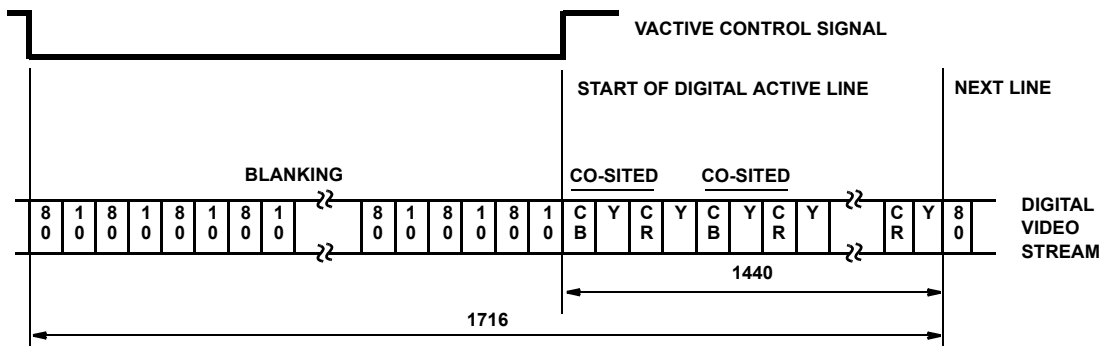


FIGURE 1. TYPICAL VMI 8-BIT DATA FORMAT FOR RECTANGULAR PIXEL 525/60 VIDEO SYSTEMS

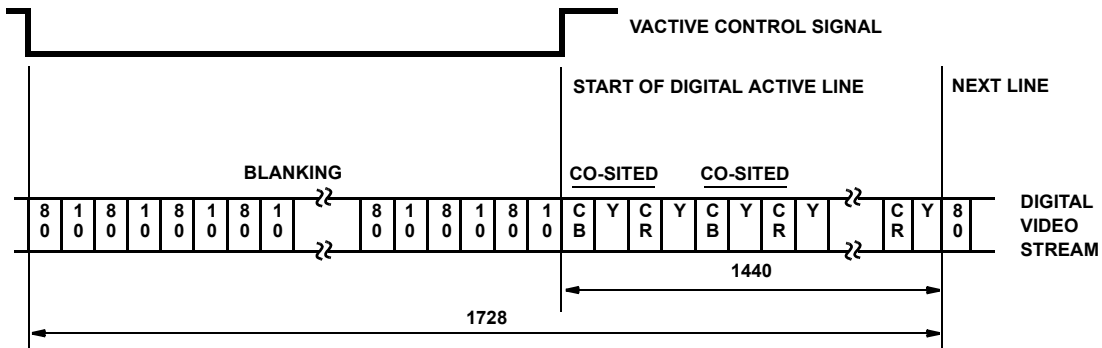


FIGURE 2. TYPICAL VMI 8-BIT DATA FORMAT FOR RECTANGULAR PIXEL 625/50 VIDEO SYSTEMS

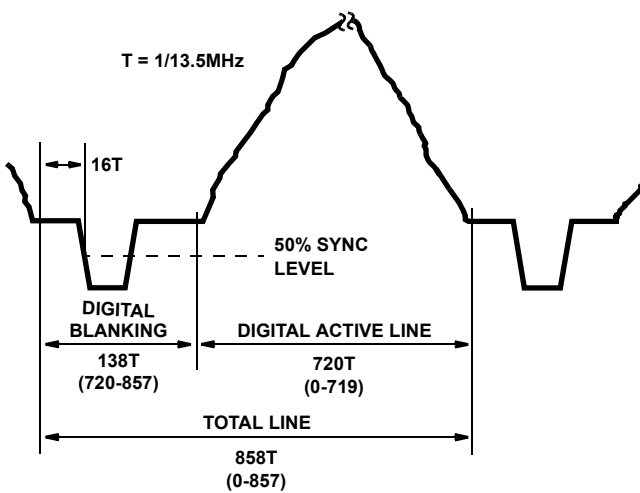


FIGURE 3. TYPICAL VMI HORIZONTAL TIMING RELATIONSHIP FOR RECTANGULAR PIXEL 525/60 VIDEO SYSTEMS

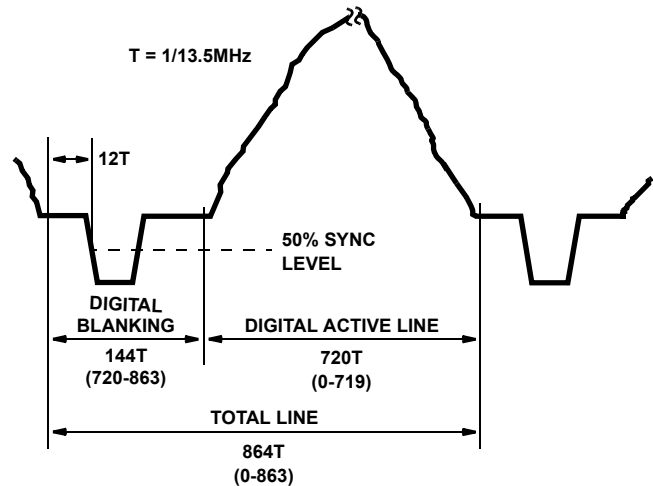


FIGURE 4. TYPICAL VMI HORIZONTAL TIMING RELATIONSHIP FOR RECTANGULAR PIXEL 625/50 VIDEO SYSTEMS

Figures 7 and 8 illustrate the data format, Figures 9 and 10 illustrate the typical horizontal timing relationships, and Figures 11 and 12 show the typical vertical blanking intervals.

16-Bit YCbCr Variation

Although not a part of the VMI specification, a variation using 16-bit 4:2:2 YCbCr data is common, as shown in Figures 13 and 14. In this instance, the PIXCLK signal is one-half the normal clock rate: 13.5MHz, 12.27MHz (square pixel 525/60 video systems) or 14.75MHz (square pixel 625/50 video systems).

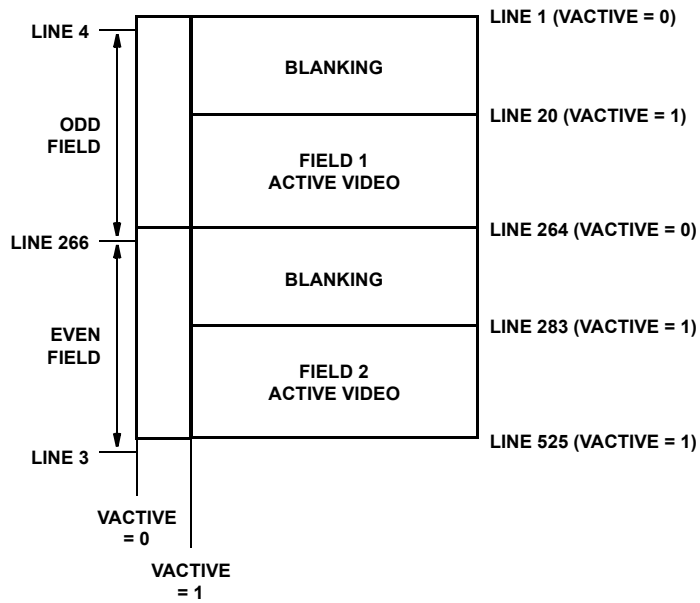
Video Timing Signals

In addition to the pixel data, there are four video timing signals, consisting of VREF, HREF, VACTIVE, and PIXCLK. To support video sources that do not generate a line-locked clock, a Data Valid signal (DVALID) is also commonly used.

VREF and HREF can be considered to be VSYNC and HSYNC signals, respectively. If HREF is high during the falling edge of VREF, the field is odd. If HREF is low during the falling edge of VREF, the field is even. Thus, even/odd field detection is done using the trailing edge of VREF, rather than the leading edge, as with most video systems. Figures 15 and 16 illustrate the HREF and VREF timing for 525/60 and 65/50 video systems, respectively.

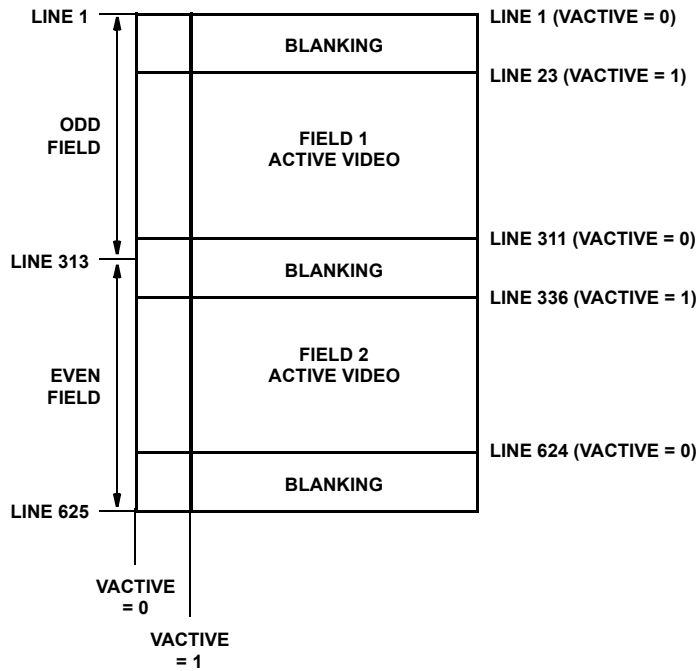
VACTIVE can be considered a blanking signal, and indicates that valid pixel data is being transmitted across the YCbCr bus. If a DVALID signal is also used, valid pixel data is present when both VACTIVE and DVALID are asserted.

For 8-bit YCbCr interfaces, PIXCLK is a 2x pixel clock. For 16-bit YCbCr interfaces, PIXCLK is a 1x pixel clock.



LINE NUMBER	FIELD	VACTIVE
1-3	1	0
4-19	0	0
21-263	0	1
264-265	0	0
266-282	1	0
283-525	1	1

FIGURE 5. TYPICAL VMI VERTICAL BLANKING INTERVALS FOR RECTANGULAR PIXEL 525/60 VIDEO SYSTEMS



LINE NUMBER	FIELD	VACTIVE
1-22	0	0
23-310	0	1
311-312	0	0
313-335	1	0
336-623	1	1
624-625	1	0

FIGURE 6. TYPICAL VMI VERTICAL BLANKING INTERVALS FOR RECTANGULAR PIXEL 625/50 VIDEO SYSTEMS

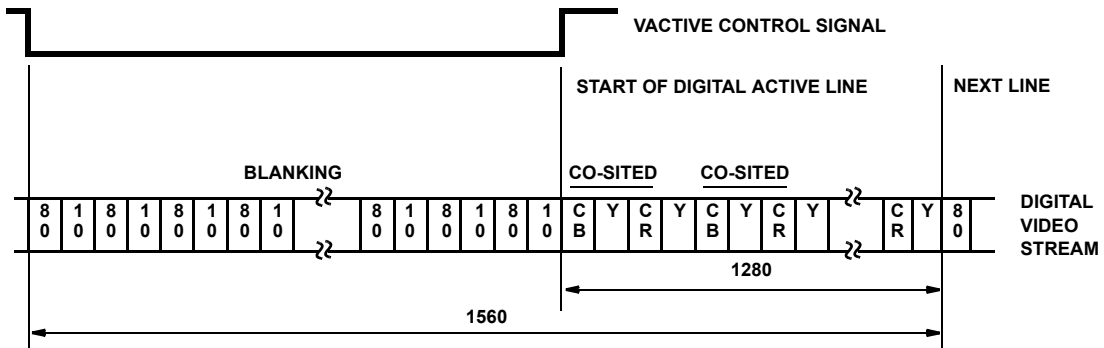


FIGURE 7. TYPICAL VMI DATA FORMAT FOR SQUARE PIXEL 525/60 VIDEO SYSTEMS

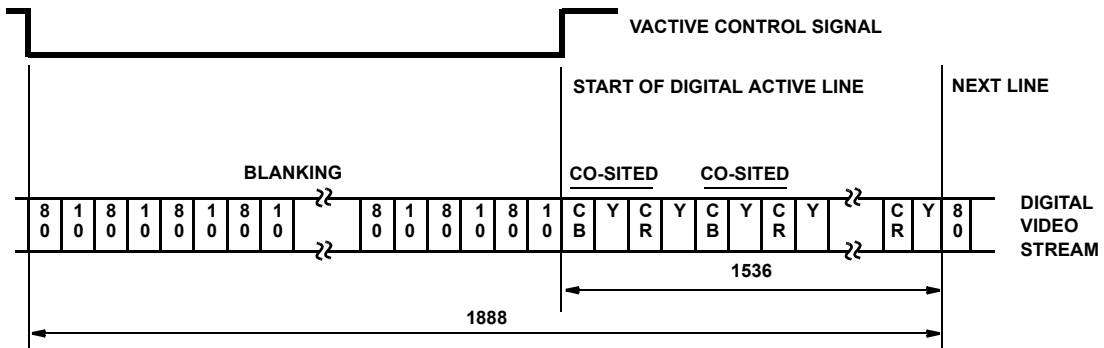


FIGURE 8. TYPICAL VMI DATA FORMAT FOR SQUARE PIXEL 625/50 VIDEO SYSTEMS

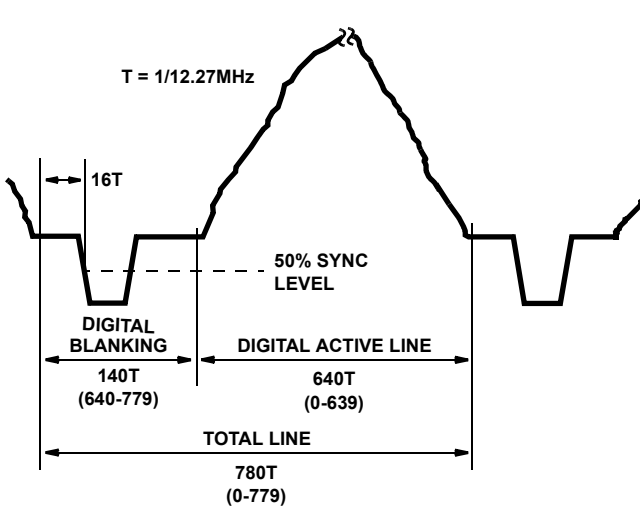


FIGURE 9. TYPICAL VMI HORIZONTAL TIMING RELATIONSHIP FOR SQUARE PIXEL 525/60 VIDEO SYSTEMS

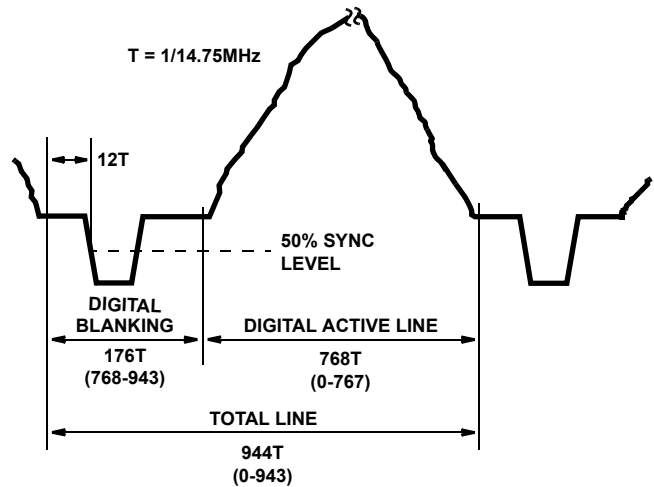
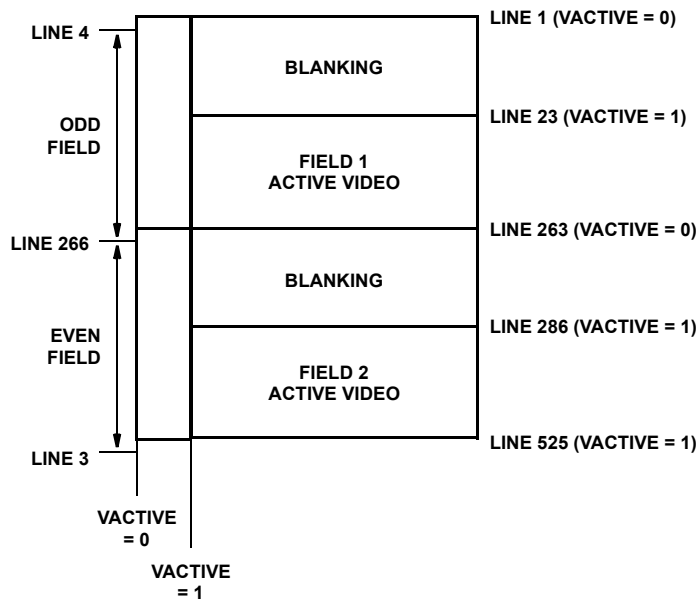
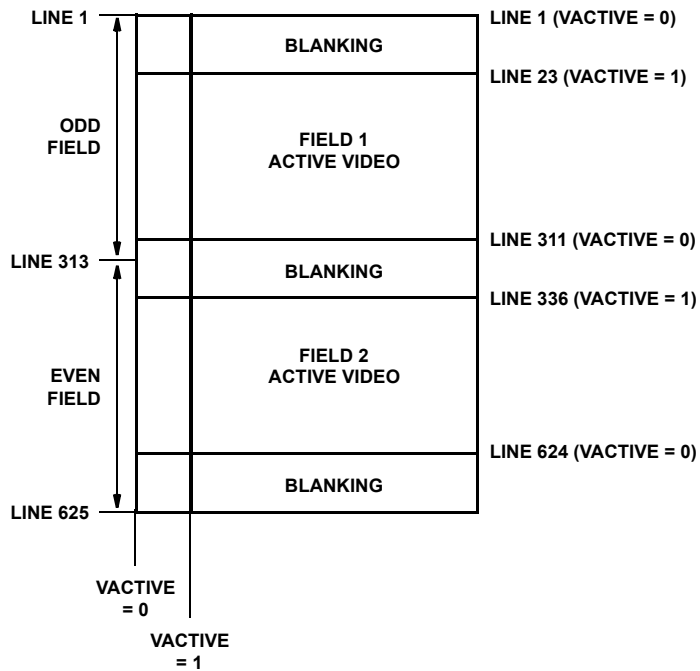


FIGURE 10. TYPICAL VMI HORIZONTAL TIMING RELATIONSHIP FOR SQUARE PIXEL 625/50 VIDEO SYSTEMS



LINE NUMBER	FIELD	VACTIVE
1-3	1	0
4-22	0	0
23-262	0	1
263-265	0	0
266-285	1	0
286-525	1	1

FIGURE 11. TYPICAL VMI VERTICAL BLANKING INTERVALS FOR SQUARE PIXEL 525/60 VIDEO SYSTEMS



LINE NUMBER	FIELD	VACTIVE
1-22	0	0
23-310	0	1
311-312	0	0
313-335	1	0
336-623	1	1
624-625	1	0

FIGURE 12. TYPICAL VMI VERTICAL BLANKING INTERVALS FOR SQUARE PIXEL 625/50 VIDEO SYSTEMS

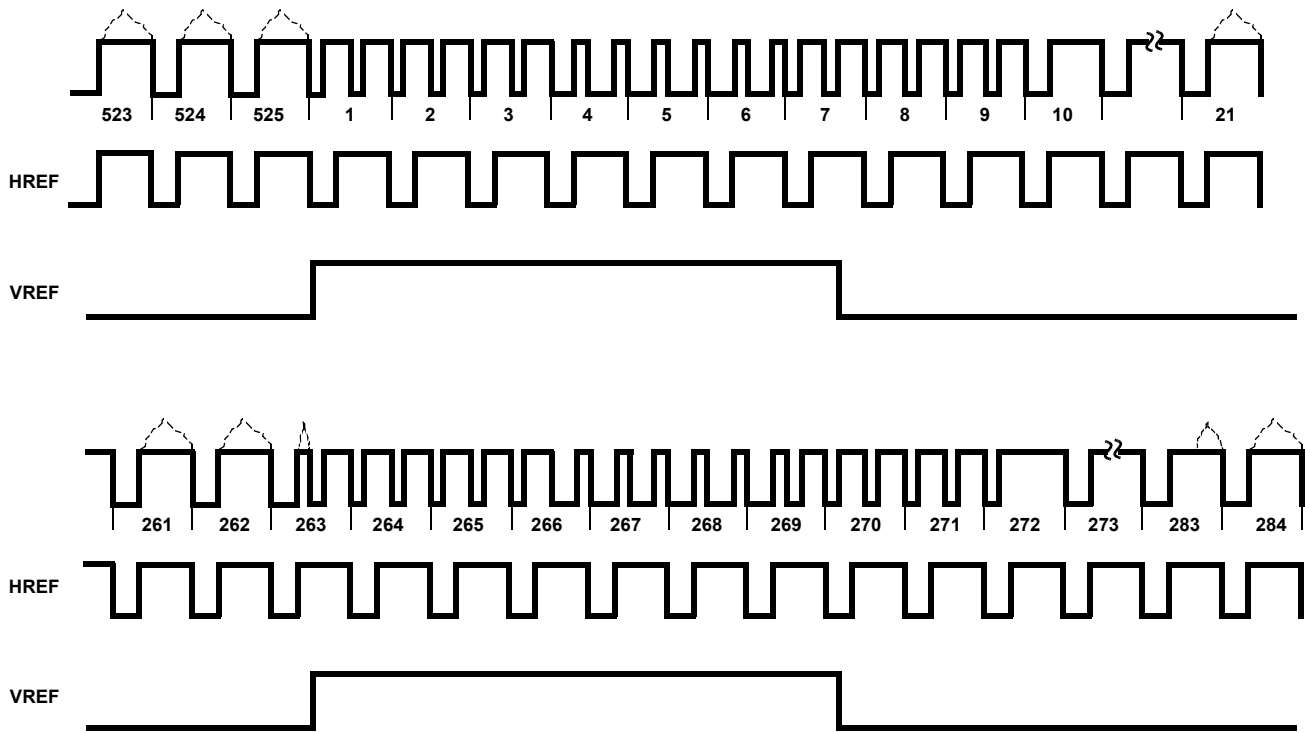


FIGURE 15. HREF AND VREF TIMING FOR 525/60 VIDEO SYSTEMS

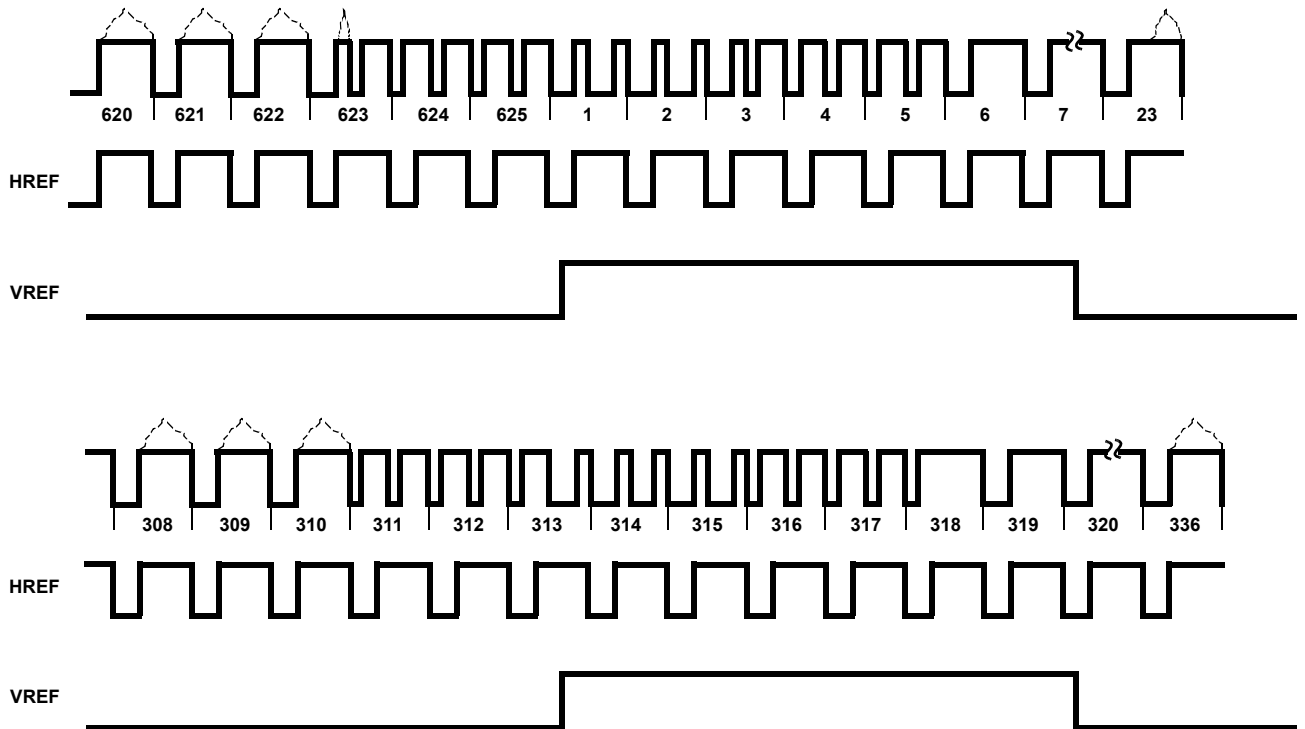


FIGURE 16. HREF AND VREF TIMING FOR 625/50 VIDEO SYSTEMS

Data Limits

YCbCr and blanking data should not use the 8-bit values of 00_H and FF_H since those values are used for timing information in BT.656 systems. For 10-bit systems, the 10-bit values 000_H–003_H and 3FC_H–3FF_H should not be used to avoid contention with 8-bit BT.656 systems.

During blanking intervals, Y values should be set to 10_H (040_H if a 10-bit system) and CbCr values set to 80_H (200_H if a 10-bit system).

Implementation Considerations

Video IC Receivers

Assumptions should not be made about the number of clock cycles per line or horizontal blanking interval. Otherwise, the implementation may not work with real-world video signal sources that use digital PLLs and proposed variations such as scaled video.

To ensure compatibility between various video sources, any horizontal counters should be reset by the leading edge of HREF, and not by the trailing edge of VACTIVE. Any vertical counters to count lines within a field should be reset by the leading edge of VREF.

Some video sources indicate sync timing by having Y data be a value of less than 16. However, most video ICs do not do this. In addition, to allow real-world video and test signals to be passed through with minimum disruption, many ICs now allow the Y data to have a value less than 16 during active video. Thus, receiver designs assuming sync timing will be present on the Y channel will no longer work.

To support video sources that do not generate a line-locked clock, the Data Valid signal (DVALID) is commonly supported. When both VACTIVE and DVALID are asserted, valid pixel data is present.

Video IC Sources

HREF and VREF have some unique output hold timings - thus, designers must be careful in designing VMI output interfaces. If these specifications are not met, there may be timing problems.

Summary

This Application Note presented some of the capabilities and issues of the Video Module Interface.

Video ICs that support VMI, such as the HMP8115 NTSC/PAL decoder, ease system design by simplifying video interfacing issues.

Notice

1. Descriptions of circuits, software and other related information in this document are provided only to illustrate the operation of semiconductor products and application examples. You are fully responsible for the incorporation or any other use of the circuits, software, and information in the design of your product or system. Renesas Electronics disclaims any and all liability for any losses and damages incurred by you or third parties arising from the use of these circuits, software, or information.
2. Renesas Electronics hereby expressly disclaims any warranties against and liability for infringement or any other claims involving patents, copyrights, or other intellectual property rights of third parties, by or arising from the use of Renesas Electronics products or technical information described in this document, including but not limited to, the product data, drawings, charts, programs, algorithms, and application examples.
3. No license, express, implied or otherwise, is granted hereby under any patents, copyrights or other intellectual property rights of Renesas Electronics or others.
4. You shall not alter, modify, copy, or reverse engineer any Renesas Electronics product, whether in whole or in part. Renesas Electronics disclaims any and all liability for any losses or damages incurred by you or third parties arising from such alteration, modification, copying or reverse engineering.
5. Renesas Electronics products are classified according to the following two quality grades: "Standard" and "High Quality". The intended applications for each Renesas Electronics product depends on the product's quality grade, as indicated below.
"Standard": Computers; office equipment; communications equipment; test and measurement equipment; audio and visual equipment; home electronic appliances; machine tools; personal electronic equipment; industrial robots; etc.
"High Quality": Transportation equipment (automobiles, trains, ships, etc.); traffic control (traffic lights); large-scale communication equipment; key financial terminal systems; safety control equipment; etc.
Unless expressly designated as a high reliability product or a product for harsh environments in a Renesas Electronics data sheet or other Renesas Electronics document, Renesas Electronics products are not intended or authorized for use in products or systems that may pose a direct threat to human life or bodily injury (artificial life support devices or systems; surgical implantations; etc.), or may cause serious property damage (space system; undersea repeaters; nuclear power control systems; aircraft control systems; key plant systems; military equipment; etc.). Renesas Electronics disclaims any and all liability for any damages or losses incurred by you or any third parties arising from the use of any Renesas Electronics product that is inconsistent with any Renesas Electronics data sheet, user's manual or other Renesas Electronics document.
6. When using Renesas Electronics products, refer to the latest product information (data sheets, user's manuals, application notes, "General Notes for Handling and Using Semiconductor Devices" in the reliability handbook, etc.), and ensure that usage conditions are within the ranges specified by Renesas Electronics with respect to maximum ratings, operating power supply voltage range, heat dissipation characteristics, installation, etc. Renesas Electronics disclaims any and all liability for any malfunctions, failure or accident arising out of the use of Renesas Electronics products outside of such specified ranges.
7. Although Renesas Electronics endeavors to improve the quality and reliability of Renesas Electronics products, semiconductor products have specific characteristics, such as the occurrence of failure at a certain rate and malfunctions under certain use conditions. Unless designated as a high reliability product or a product for harsh environments in a Renesas Electronics data sheet or other Renesas Electronics document, Renesas Electronics products are not subject to radiation resistance design. You are responsible for implementing safety measures to guard against the possibility of bodily injury, injury or damage caused by fire, and/or danger to the public in the event of a failure or malfunction of Renesas Electronics products, such as safety design for hardware and software, including but not limited to redundancy, fire control and malfunction prevention, appropriate treatment for aging degradation or any other appropriate measures. Because the evaluation of microcomputer software alone is very difficult and impractical, you are responsible for evaluating the safety of the final products or systems manufactured by you.
8. Please contact a Renesas Electronics sales office for details as to environmental matters such as the environmental compatibility of each Renesas Electronics product. You are responsible for carefully and sufficiently investigating applicable laws and regulations that regulate the inclusion or use of controlled substances, including without limitation, the EU RoHS Directive, and using Renesas Electronics products in compliance with all these applicable laws and regulations. Renesas Electronics disclaims any and all liability for damages or losses occurring as a result of your noncompliance with applicable laws and regulations.
9. Renesas Electronics products and technologies shall not be used for or incorporated into any products or systems whose manufacture, use, or sale is prohibited under any applicable domestic or foreign laws or regulations. You shall comply with any applicable export control laws and regulations promulgated and administered by the governments of any countries asserting jurisdiction over the parties or transactions.
10. It is the responsibility of the buyer or distributor of Renesas Electronics products, or any other party who distributes, disposes of, or otherwise sells or transfers the product to a third party, to notify such third party in advance of the contents and conditions set forth in this document.
11. This document shall not be reprinted, reproduced or duplicated in any form, in whole or in part, without prior written consent of Renesas Electronics.
12. Please contact a Renesas Electronics sales office if you have any questions regarding the information contained in this document or Renesas Electronics products.
(Note 1) "Renesas Electronics" as used in this document means Renesas Electronics Corporation and also includes its directly or indirectly controlled subsidiaries.
(Note 2) "Renesas Electronics product(s)" means any product developed or manufactured by or for Renesas Electronics.

(Rev.4.0-1 November 2017)



SALES OFFICES

Renesas Electronics Corporation

<http://www.renesas.com>

Refer to "<http://www.renesas.com/>" for the latest and detailed information.

Renesas Electronics America Inc.
1001 Murphy Ranch Road, Milpitas, CA 95035, U.S.A.
Tel: +1-408-432-8888, Fax: +1-408-434-5351

Renesas Electronics Canada Limited
9251 Yonge Street, Suite 8309 Richmond Hill, Ontario Canada L4C 9T3
Tel: +1-905-237-2004

Renesas Electronics Europe Limited
Dukes Meadow, Millboard Road, Bourne End, Buckinghamshire, SL8 5FH, U.K.
Tel: +44-1628-651-700, Fax: +44-1628-651-804

Renesas Electronics Europe GmbH
Arcadiastrasse 10, 40472 Düsseldorf, Germany
Tel: +49-211-6503-0, Fax: +49-211-6503-1327

Renesas Electronics (China) Co., Ltd.
Room 1709 Quantum Plaza, No.27 ZhichunLu, Haidian District, Beijing, 100191 P. R. China
Tel: +86-10-8235-1155, Fax: +86-10-8235-7679

Renesas Electronics (Shanghai) Co., Ltd.
Unit 301, Tower A, Central Towers, 555 Langao Road, Putuo District, Shanghai, 200333 P. R. China
Tel: +86-21-2226-0888, Fax: +86-21-2226-0999

Renesas Electronics Hong Kong Limited
Unit 1601-1611, 16/F., Tower 2, Grand Century Place, 193 Prince Edward Road West, Mongkok, Kowloon, Hong Kong
Tel: +852-2265-6688, Fax: +852-2886-9022

Renesas Electronics Taiwan Co., Ltd.
13F, No. 363, Fu Shing North Road, Taipei 10543, Taiwan
Tel: +886-2-8175-9600, Fax: +886-2-8175-9670

Renesas Electronics Singapore Pte. Ltd.
80 Bendemeer Road, Unit #06-02 Hyflux Innovation Centre, Singapore 339949
Tel: +65-6213-0200, Fax: +65-6213-0300

Renesas Electronics Malaysia Sdn.Bhd.
Unit 1207, Block B, Menara Amcorp, Amcorp Trade Centre, No. 18, Jln Persiaran Barat, 46050 Petaling Jaya, Selangor Darul Ehsan, Malaysia
Tel: +60-3-7955-9390, Fax: +60-3-7955-9510

Renesas Electronics India Pvt. Ltd.
No.777C, 100 Feet Road, HAL 2nd Stage, Indiranagar, Bangalore 560 038, India
Tel: +91-80-67208700, Fax: +91-80-67208777

Renesas Electronics Korea Co., Ltd.
17F, KAMCO Yangjae Tower, 262, Gangnam-daero, Gangnam-gu, Seoul, 06265 Korea
Tel: +82-2-558-3737, Fax: +82-2-558-5338