

Introduction

You need phase measurements to set up and verify electronic devices in amplifiers and in audio, control, ultrasound, and echo systems. Phase measurements can be problematic, because not many simple, inexpensive phase meters are available. Moreover, using an oscilloscope is time consuming and imprecise. The phase meter described here uses a standard voltmeter as an output device. It measures the phase difference between two signals with better than 1% accuracy and it operates to 10MHz. It's inexpensive to build, and it's simple to calibrate.

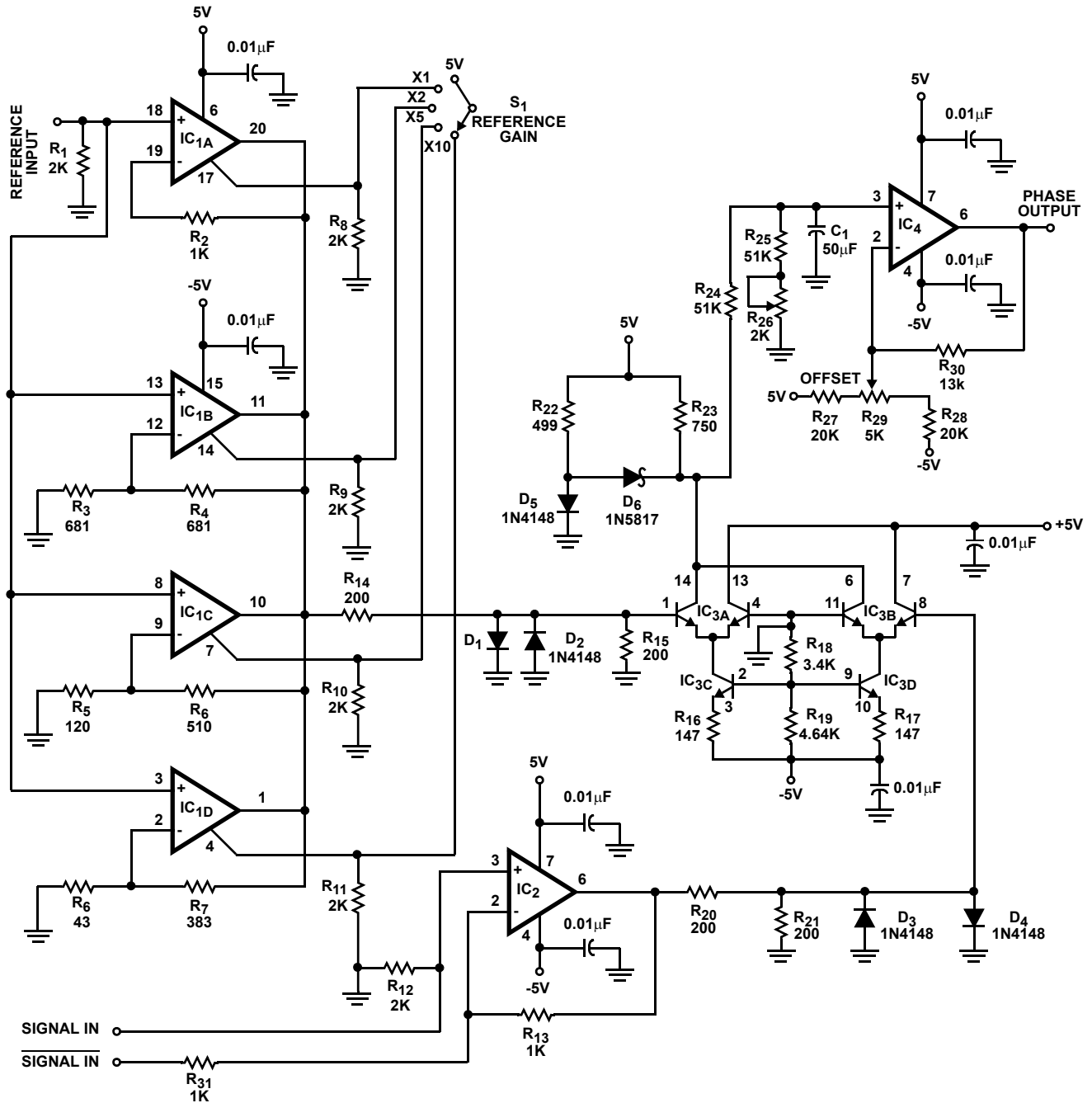
Measuring phase involves converting two periodic signals to square waves, then measuring the phase difference between the two square waves. If the amplitude of both square waves is identical and constant, the average of the time difference between the square waves is proportional to the phase shift. Usually the value you wish to measure is the phase shift between the input of a circuit under test (called the "reference") and the output of the circuit (called the "signal"). But, these signals may have different amplitudes. The amplitude differences affect the slew rate of the analog signals. The differing slew rates may result in a phase error if the squaring mechanism is not perfect.

In Figure 1, IC₁ (an HA5024) is configured as a switched-gain amplifier that has four gain selections. IC₁ can, thus, make the reference and signal amplitudes nearly equal, thereby minimizing slew-rate errors. This design switches amplifiers rather than resistor-feedback networks, so you can optimize each amplifier for bandwidth, overshoot, and propagation delay. The propagation delay of IC₁ introduces a phase-measurement error that has the same magnitude as the error arising from the propagation delay of IC₂. Because the two op amps have identical schematics and undergo the same IC processing, their propagation delays match closely, thus, canceling any propagation-delay errors.

After undergoing amplification by IC₁ and IC₂, the reference and signal go to IC₃ (an HFA3102), a matched set of long-tailed pairs that function as matched, high-speed comparators. The bases of the reference transistors in the comparators connect to ground, so the input signals must use a ground reference. If the bases are not grounded, it's easy to reference symmetrical inputs to ground by coupling them through a capacitor. Clamp diodes D₁ through D₄ protect the input bases. R₁₈ and R₁₉ bias the current sources at -2.2V, and R₁₆ and R₁₇ set the comparator currents at 10mA, so the transistors operate at their maximum f_T.

The value of R₂₃ ensures that the collector voltage drop is greater than 5V (to ensure that D₆ turns on). The output-signal swing is constant at $V_{OS} = V_{+5} - V_{D5} - V_{D6}$. Because the input signals have approximately the same amplitude, the comparators are matched, the output-voltage swing is constant, and the HFA3102 has a 10-GHz f_T. The only variable is phase. When the inputs are in phase (phase shift = 0°), the average collector voltage is 0V. When the inputs are 90° out of phase, the average collector voltage is V_{OS}/4. When the inputs are 180° out of phase, the average collector voltage is V_{OS}/2. The relationship is linear, so it indicates phase shift as a function of the average collector voltage. You need to effect level shifting and an offset null to compensate for initial errors.

The divider comprising R₂₄, R₂₅, and R₂₆, reduces the average collector voltage from the matched comparators by a factor of two. R₂₆ is a gain, or span, adjustment, and C₁ functions as an integrator that yields the average value of the voltage developed across the divider network. IC₄ (an HA5170) has low input current, so it won't discharge C₁. IC₄ buffers C₁ and presents a low-impedance output. R₂₉ provides an offset adjustment you use to set the zero-phase voltage. To calibrate the phase meter, first set the signal to 0° phase shift, adjust R₂₉ for 0V, then set the phase shift to 180° and adjust R₂₆ for 1.8V. The output scale factor is, thus, 10mV/degree. You may have to iterate the adjustments to obtain 1% accuracy. The PC board is critical in this design: Use a ground plane, keep trace lengths and component leads short, and use good components.



NOTES:

1. IC₁ = HA5024
2. IC₂ = HA5020
3. IC₃ = HFA3102
4. IC₄ = HA5170

FIGURE 1. FOUR ICs AND A HANDFUL OF COMPONENTS PROVIDE 1% ACCURATE PHASE MEASUREMENTS TO 10MHz IN THIS LOW-COST CIRCUIT.

Notice

1. Descriptions of circuits, software and other related information in this document are provided only to illustrate the operation of semiconductor products and application examples. You are fully responsible for the incorporation or any other use of the circuits, software, and information in the design of your product or system. Renesas Electronics disclaims any and all liability for any losses and damages incurred by you or third parties arising from the use of these circuits, software, or information.
2. Renesas Electronics hereby expressly disclaims any warranties against and liability for infringement or any other claims involving patents, copyrights, or other intellectual property rights of third parties, by or arising from the use of Renesas Electronics products or technical information described in this document, including but not limited to, the product data, drawings, charts, programs, algorithms, and application examples.
3. No license, express, implied or otherwise, is granted hereby under any patents, copyrights or other intellectual property rights of Renesas Electronics or others.
4. You shall not alter, modify, copy, or reverse engineer any Renesas Electronics product, whether in whole or in part. Renesas Electronics disclaims any and all liability for any losses or damages incurred by you or third parties arising from such alteration, modification, copying or reverse engineering.
5. Renesas Electronics products are classified according to the following two quality grades: "Standard" and "High Quality". The intended applications for each Renesas Electronics product depends on the product's quality grade, as indicated below.
"Standard": Computers; office equipment; communications equipment; test and measurement equipment; audio and visual equipment; home electronic appliances; machine tools; personal electronic equipment; industrial robots; etc.
"High Quality": Transportation equipment (automobiles, trains, ships, etc.); traffic control (traffic lights); large-scale communication equipment; key financial terminal systems; safety control equipment; etc.
Unless expressly designated as a high reliability product or a product for harsh environments in a Renesas Electronics data sheet or other Renesas Electronics document, Renesas Electronics products are not intended or authorized for use in products or systems that may pose a direct threat to human life or bodily injury (artificial life support devices or systems; surgical implantations; etc.), or may cause serious property damage (space system; undersea repeaters; nuclear power control systems; aircraft control systems; key plant systems; military equipment; etc.). Renesas Electronics disclaims any and all liability for any damages or losses incurred by you or any third parties arising from the use of any Renesas Electronics product that is inconsistent with any Renesas Electronics data sheet, user's manual or other Renesas Electronics document.
6. When using Renesas Electronics products, refer to the latest product information (data sheets, user's manuals, application notes, "General Notes for Handling and Using Semiconductor Devices" in the reliability handbook, etc.), and ensure that usage conditions are within the ranges specified by Renesas Electronics with respect to maximum ratings, operating power supply voltage range, heat dissipation characteristics, installation, etc. Renesas Electronics disclaims any and all liability for any malfunctions, failure or accident arising out of the use of Renesas Electronics products outside of such specified ranges.
7. Although Renesas Electronics endeavors to improve the quality and reliability of Renesas Electronics products, semiconductor products have specific characteristics, such as the occurrence of failure at a certain rate and malfunctions under certain use conditions. Unless designated as a high reliability product or a product for harsh environments in a Renesas Electronics data sheet or other Renesas Electronics document, Renesas Electronics products are not subject to radiation resistance design. You are responsible for implementing safety measures to guard against the possibility of bodily injury, injury or damage caused by fire, and/or danger to the public in the event of a failure or malfunction of Renesas Electronics products, such as safety design for hardware and software, including but not limited to redundancy, fire control and malfunction prevention, appropriate treatment for aging degradation or any other appropriate measures. Because the evaluation of microcomputer software alone is very difficult and impractical, you are responsible for evaluating the safety of the final products or systems manufactured by you.
8. Please contact a Renesas Electronics sales office for details as to environmental matters such as the environmental compatibility of each Renesas Electronics product. You are responsible for carefully and sufficiently investigating applicable laws and regulations that regulate the inclusion or use of controlled substances, including without limitation, the EU RoHS Directive, and using Renesas Electronics products in compliance with all these applicable laws and regulations. Renesas Electronics disclaims any and all liability for damages or losses occurring as a result of your noncompliance with applicable laws and regulations.
9. Renesas Electronics products and technologies shall not be used for or incorporated into any products or systems whose manufacture, use, or sale is prohibited under any applicable domestic or foreign laws or regulations. You shall comply with any applicable export control laws and regulations promulgated and administered by the governments of any countries asserting jurisdiction over the parties or transactions.
10. It is the responsibility of the buyer or distributor of Renesas Electronics products, or any other party who distributes, disposes of, or otherwise sells or transfers the product to a third party, to notify such third party in advance of the contents and conditions set forth in this document.
11. This document shall not be reprinted, reproduced or duplicated in any form, in whole or in part, without prior written consent of Renesas Electronics.
12. Please contact a Renesas Electronics sales office if you have any questions regarding the information contained in this document or Renesas Electronics products.
(Note 1) "Renesas Electronics" as used in this document means Renesas Electronics Corporation and also includes its directly or indirectly controlled subsidiaries.
(Note 2) "Renesas Electronics product(s)" means any product developed or manufactured by or for Renesas Electronics.

(Rev.4.0-1 November 2017)



SALES OFFICES

Renesas Electronics Corporation

<http://www.renesas.com>

Refer to "<http://www.renesas.com/>" for the latest and detailed information.

Renesas Electronics America Inc.
1001 Murphy Ranch Road, Milpitas, CA 95035, U.S.A.
Tel: +1-408-432-8888, Fax: +1-408-434-5351

Renesas Electronics Canada Limited
9251 Yonge Street, Suite 8309 Richmond Hill, Ontario Canada L4C 9T3
Tel: +1-905-237-2004

Renesas Electronics Europe Limited
Dukes Meadow, Millboard Road, Bourne End, Buckinghamshire, SL8 5FH, U.K.
Tel: +44-1628-651-700, Fax: +44-1628-651-804

Renesas Electronics Europe GmbH
Arcadiastrasse 10, 40472 Düsseldorf, Germany
Tel: +49-211-6503-0, Fax: +49-211-6503-1327

Renesas Electronics (China) Co., Ltd.
Room 1709 Quantum Plaza, No.27 ZhichunLu, Haidian District, Beijing, 100191 P. R. China
Tel: +86-10-8235-1155, Fax: +86-10-8235-7679

Renesas Electronics (Shanghai) Co., Ltd.
Unit 301, Tower A, Central Towers, 555 Langao Road, Putuo District, Shanghai, 200333 P. R. China
Tel: +86-21-2226-0888, Fax: +86-21-2226-0999

Renesas Electronics Hong Kong Limited
Unit 1601-1611, 16/F., Tower 2, Grand Century Place, 193 Prince Edward Road West, Mongkok, Kowloon, Hong Kong
Tel: +852-2265-6688, Fax: +852-2886-9022

Renesas Electronics Taiwan Co., Ltd.
13F, No. 363, Fu Shing North Road, Taipei 10543, Taiwan
Tel: +886-2-8175-9600, Fax: +886-2-8175-9670

Renesas Electronics Singapore Pte. Ltd.
80 Bendemeer Road, Unit #06-02 Hyflux Innovation Centre, Singapore 339949
Tel: +65-6213-0200, Fax: +65-6213-0300

Renesas Electronics Malaysia Sdn.Bhd.
Unit 1207, Block B, Menara Amcorp, Amcorp Trade Centre, No. 18, Jln Persiaran Barat, 46050 Petaling Jaya, Selangor Darul Ehsan, Malaysia
Tel: +60-3-7955-9390, Fax: +60-3-7955-9510

Renesas Electronics India Pvt. Ltd.
No.777C, 100 Feet Road, HAL 2nd Stage, Indiranagar, Bangalore 560 038, India
Tel: +91-80-67208700, Fax: +91-80-67208777

Renesas Electronics Korea Co., Ltd.
17F, KAMCO Yangjae Tower, 262, Gangnam-daero, Gangnam-gu, Seoul, 06265 Korea
Tel: +82-2-558-3737, Fax: +82-2-558-5338