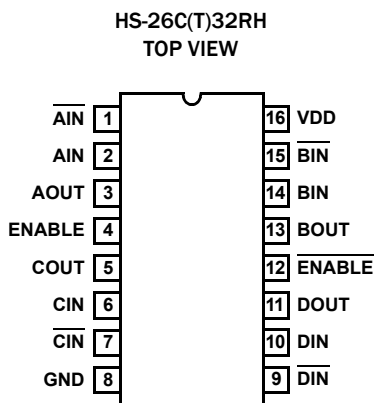


Description

The HS-26C(T)32RH is a radiation hardened RS-422 line receiver which is pin and functional compatible with commercial 2632 types. The HS-26C32RH has CMOS enable pin input levels and the HS-26CT32RH accepts TTL-level enable signals. The two circuits are identical except for the configuration of the logic input buffers. The HS-26C32RH has the same input characteristics (impedance, hysteresis, fail-safe) as commercial types.

Pinout



Line Input Characteristics

The HS-26C(T)32RH presents a resistive impedance of approximately 10kΩ to the line. This impedance is the composite of the input divider network. No protection devices are present on the line side; there are internal protection devices at the inner end of the input resistor but these do not become active under normal power-up or down conditions.

The input network is fully isolated from the substrate. There are no parasitic junctions. When the device is powered off the input remains at 10kΩ.

The line inputs allow current to be fed from the line into device power and VDD rails. However, this current is not enough to activate the device with VDD off or open; under worst case conditions with both inputs at 5V, the VDD rail will power up to less than 400mV and the output will remain high impedance (off). There is no possibility of the line providing sufficient supply voltage to activate the '32 or attached logic.

[Figure 1](#) is the schematic of the HS-26C(T)32RH input structure.

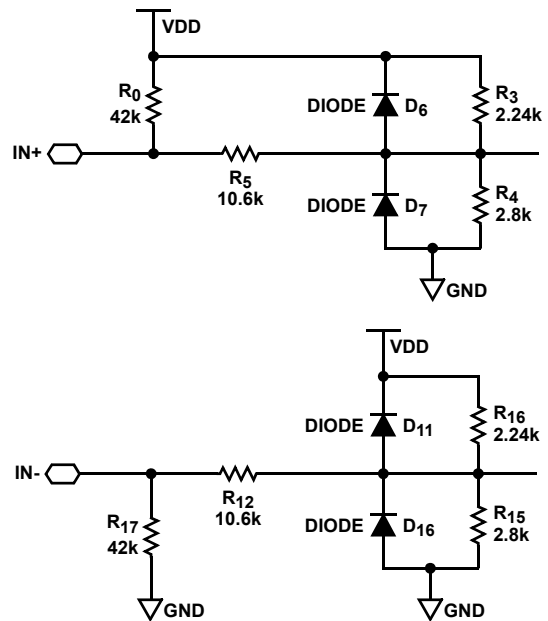


FIGURE 1. HS-26C(T)32RH LINE INPUT STRUCTURE

Cross-Strapping

In space systems it is vital to have a data communications bus structure which provides resistance to single point failures. One common technique is the use of redundant bus drivers and receivers in parallel, sometimes called cross-strapping. In this arrangement one driver and receiver are active and another pair is quiescent. The desire to minimize power leads to the need to power down the redundant circuits. This poses a problem for typical CMOS output structures and input protection circuits. The parasitic diodes in the P-Channel output drivers and the input clamp diodes will tend to clamp the signal unless the supply voltage to the quiescent parts remains above the bus signal range.

The HS-26C(T)31RH transmitter provides RS-422 compliant output characteristics, including power-off isolation. The output stage presents a high impedance to the line with power off (VDD < 3V). This prevents any significant amount of current flow over an output voltage range of 0.25V to 6V with respect to device ground.

The use of a BiCMOS output stage provides an output characteristic very similar to LSTTL devices and superior to standard CMOS. [Figure 2](#) shows what the NPN, NMOS and PMOS device physical structures look like. [Figure 3](#) illustrates the four standard output topologies and their associated parasitic diodes.

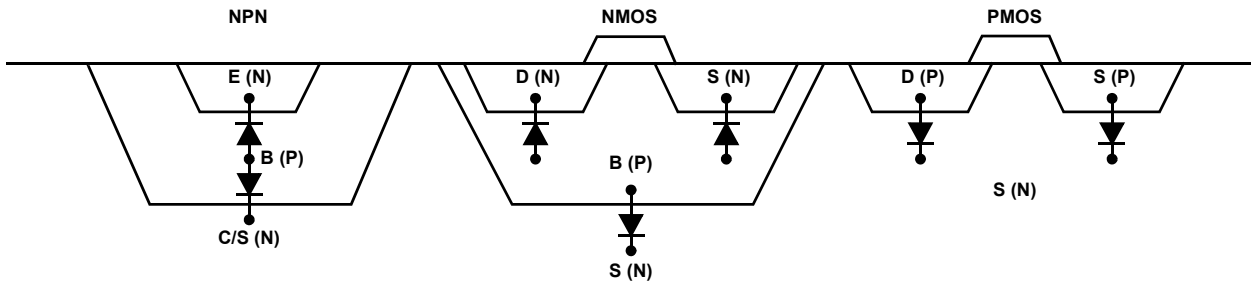


FIGURE 2. NPN, NMOS AND PMOS DEVICE PHYSICAL STRUCTURES

The standard P-well CMOS structure presents an undesirable characteristic to the line when the supply is at 0V. This is due to the P-Channel driver's parasitic drain-body diode, which becomes forward-biased at voltages above ground. (See Figure 3A.)

N-Channel source-follower high-side drivers and NPN-based output drivers have parasitic diodes which remain reverse-biased with VDD at 0V and output voltages above ground. These output types will not conduct until the E-B or S-B diodes break down, typically above 7V. (See Figures 3B and 3C.)

The HS-26C31RH line driver is produced in a radiation hardened CMOS process but uses a NPN bipolar output driver to provide both high output drive and power-off output isolation. The output can be run from ground to over 6V without significant leakage, with the supply off, unlike standard CMOS logic types. This allows

the outputs of active and inactive drivers to be paralleled without complications. (See Figure 3D.)

The HS-26C32RH line receiver has an input structure which provides a $\pm 10V$ maximum input signal range with respect to device ground. The input impedance of the receiver is typically 10,000 Ω , with no clamping devices at the pin. A powered-down device simply adds its input impedance in parallel to the other devices on the line.

A curve tracer can demonstrate the difference in behavior between a standard CMOS input and output with power off and the HS-26C31/32RH devices' line inputs and outputs. The inactive CMOS devices clamp whatever line they are attached to at less than a volt, drawing many milliamperes. The line pins of the Intersil RS-422 chip set are well-behaved, acting as a three-state output and a 10k Ω input.

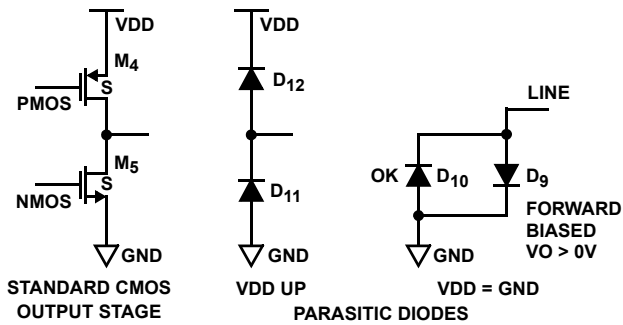


FIGURE 3A.

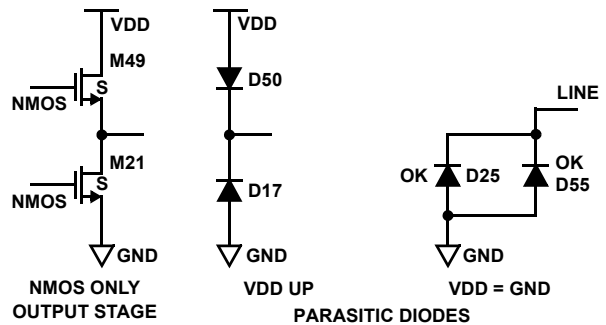


FIGURE 3B.

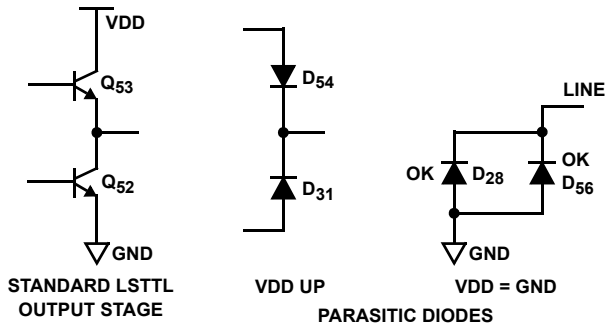


FIGURE 3C.

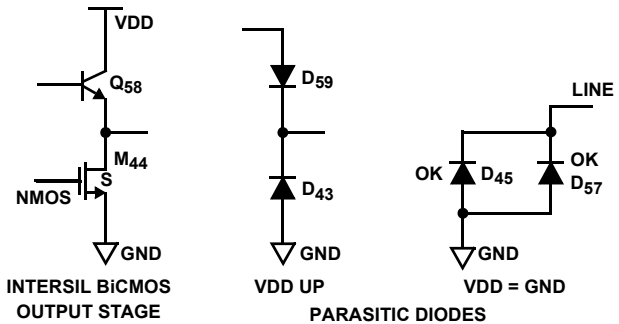


FIGURE 3D.

FIGURE 3. FOUR STANDARD OUTPUT TOPOLOGIES

System Noise

Another primary benefit of a balanced, differential line standard such as RS-422 is the cancellation of radiated EMI from the data lines. A shielded twisted-pair data line has primary EMI cancellation by virtue of the anti-phase signals and Faraday shielding as well. In applications where sensitive analog circuitry has to reside near the data bus, this type of bus standard can significantly improve system noise levels and signal quality.

Using this chip set, a 10MHz, low power, quiet bus system with cross-strapped redundant data paths can be implemented easily. The Intersil radiation-hardened CMOS solution cuts power compared to bipolar chip sets and allows configurations not possible with standard CMOS logic.

The large voltage swings, low typical line impedance and differential bus also provide superior immunity to both supply and radiatively-coupled noise. The normal signal span is 8V (+4 to -4) for the HS-26C31/32RH, less than 5V for standard single-ended CMOS and less than 4V for LSTTL. In addition, the HS-26C32RH can tolerate differences between driver and receiver ground levels which would render standard logic either unreliable or completely nonfunctional. For example, an LSTTL or CMOS input whose ground supply is more than 1V below the driving device's may never switch because its $V_{IL}(\min)$ level cannot be met. The HS-26C32RH functions properly with its inputs $\pm 7V$ from device ground. This also minimizes the chances of ground bounce or supply spikes causing false logic states.

Substrate Connection

The substrate of the HS-26C(T)32RH circuits is connected internally to the VDD pin. If the '32 is used in die form for hybrid applications, the die should be mounted to an electrically isolated surface. If there is any electrical connection to the back side of the die there will be a low value resistance to the VDD pin. However, the value of the resistance of the substrate and mounting material are not necessarily low or well enough controlled to use as a supply feed.

Power Dissipation

The HS-26C(T)32RH dissipates about 15mA I_{DD} current at standby. About half of this is used by the divider network and the balance by the input comparators' analog circuitry.

Operating current at frequency is the sum of the standby current and the dynamic operating current given by (CPD) (VDD) (frequency). For the HS-26C(T)32RH the CPD (per active channel) is 40pF. This is equivalent to other '32 types.

Input Fail Safe

The HS-26C(T)32RH is designed to produce a logic "1" output state when the transmission line inputs are open. This is a special case fault tolerance feature. The fail-safe works by a designed imbalance in the input resistor structure, which produces an inherent error voltage when the inputs are high impedance. The error voltage must be greater than the minimum input differential signal.

Fail-safe operation depends on a true high impedance condition at the inputs. Some circuit or termination schemes may mask or reduce effectiveness of the fail-safe mechanism if they produce a low impedance across the input terminals. The minimum impedance permissible for adequate fail-safe operation is that which results in an input differential voltage of 400mV, the worst case $V_{TH}(\text{in})$.

The relationship between input fail-safe differential voltage and external input impedance is shown below. In order to produce an acceptable differential under an open-line fault condition, any input network external to the chip must present no less than 10k Ω to the line inputs. See plot in [Figure 4](#).

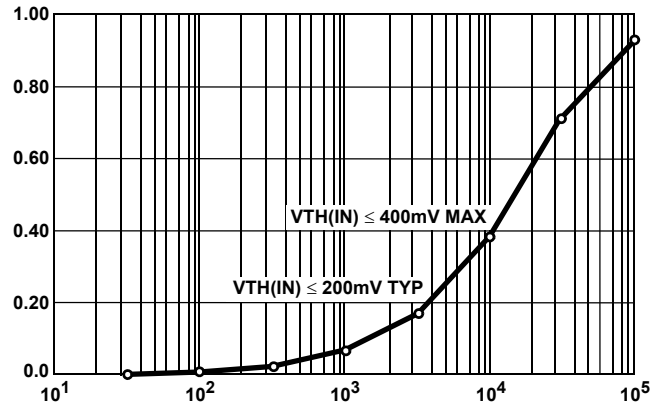


FIGURE 4. INPUT FAIL SAFE DIFFERENTIAL vs ZIN (OPEN)

The practice of simple resistor shunt termination (100 Ω across lines) will inhibit fail-safe operation because the shunt resistor will mask the open line condition. If a shunt termination scheme is to be used, it becomes necessary to design a termination which restores the differential bias to the front end. The schematic on the next page shows one possible implementation.

[Figure 5](#) produces too small an input differential voltage in the open-line fault condition. The internal input bias network is shunted by the termination resistor.

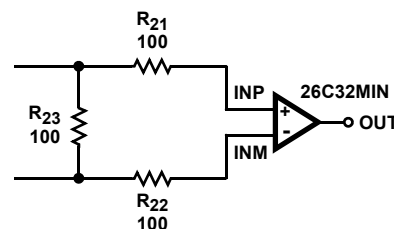


FIGURE 5. INCORRECT RESISTOR INPUT STRUCTURE

Figure 6 produces an adequate input differential voltage in the open-line fault condition. The internal input bias network is supplemented externally to compensate for the termination resistor.

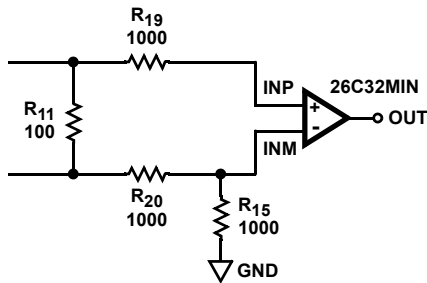


FIGURE 6. RESISTOR INPUT STRUCTURE FOR ADEQUATE INPUT DIFFERENTIAL VOLTAGE

The active signal amplitude will be reduced by about 25%, due to the resistive division, but the amplitude will still be about 5x to 8x $V_{TH(min)}$, assuring adequate noise margin and speed.

The HS-26C(T)31RH and HS-26C(T)32RH have been fully characterized to 300kRAD total dose. A sample of each wafer lot is evaluated to 300kRAD (Si) total dose, and all post rad electricals (in accordance with the datasheet) must pass.

In addition, Single Event Upset (SEU) and Single Event Latch-up (SEL) testing on these two parts demonstrate that the SEU and SEL thresholds are each $>80\text{MEV}/\text{mg}/\text{cm}^2$. The testing was performed by NASA Goddard Space Flight Center, and is published in the 1994 IEEE Radiation Effects Data Workshop. (IEEE publication # 94TH06841, "Single Event Effect Proton and Heavy Ion Test Results for Candidate Spacecraft Electronics", by K. LaBel et al).

Notice

1. Descriptions of circuits, software and other related information in this document are provided only to illustrate the operation of semiconductor products and application examples. You are fully responsible for the incorporation or any other use of the circuits, software, and information in the design of your product or system. Renesas Electronics disclaims any and all liability for any losses and damages incurred by you or third parties arising from the use of these circuits, software, or information.
2. Renesas Electronics hereby expressly disclaims any warranties against and liability for infringement or any other claims involving patents, copyrights, or other intellectual property rights of third parties, by or arising from the use of Renesas Electronics products or technical information described in this document, including but not limited to, the product data, drawings, charts, programs, algorithms, and application examples.
3. No license, express, implied or otherwise, is granted hereby under any patents, copyrights or other intellectual property rights of Renesas Electronics or others.
4. You shall not alter, modify, copy, or reverse engineer any Renesas Electronics product, whether in whole or in part. Renesas Electronics disclaims any and all liability for any losses or damages incurred by you or third parties arising from such alteration, modification, copying or reverse engineering.
5. Renesas Electronics products are classified according to the following two quality grades: "Standard" and "High Quality". The intended applications for each Renesas Electronics product depends on the product's quality grade, as indicated below.
"Standard": Computers; office equipment; communications equipment; test and measurement equipment; audio and visual equipment; home electronic appliances; machine tools; personal electronic equipment; industrial robots; etc.
"High Quality": Transportation equipment (automobiles, trains, ships, etc.); traffic control (traffic lights); large-scale communication equipment; key financial terminal systems; safety control equipment; etc.
Unless expressly designated as a high reliability product or a product for harsh environments in a Renesas Electronics data sheet or other Renesas Electronics document, Renesas Electronics products are not intended or authorized for use in products or systems that may pose a direct threat to human life or bodily injury (artificial life support devices or systems; surgical implantations; etc.), or may cause serious property damage (space system; undersea repeaters; nuclear power control systems; aircraft control systems; key plant systems; military equipment; etc.). Renesas Electronics disclaims any and all liability for any damages or losses incurred by you or any third parties arising from the use of any Renesas Electronics product that is inconsistent with any Renesas Electronics data sheet, user's manual or other Renesas Electronics document.
6. When using Renesas Electronics products, refer to the latest product information (data sheets, user's manuals, application notes, "General Notes for Handling and Using Semiconductor Devices" in the reliability handbook, etc.), and ensure that usage conditions are within the ranges specified by Renesas Electronics with respect to maximum ratings, operating power supply voltage range, heat dissipation characteristics, installation, etc. Renesas Electronics disclaims any and all liability for any malfunctions, failure or accident arising out of the use of Renesas Electronics products outside of such specified ranges.
7. Although Renesas Electronics endeavors to improve the quality and reliability of Renesas Electronics products, semiconductor products have specific characteristics, such as the occurrence of failure at a certain rate and malfunctions under certain use conditions. Unless designated as a high reliability product or a product for harsh environments in a Renesas Electronics data sheet or other Renesas Electronics document, Renesas Electronics products are not subject to radiation resistance design. You are responsible for implementing safety measures to guard against the possibility of bodily injury, injury or damage caused by fire, and/or danger to the public in the event of a failure or malfunction of Renesas Electronics products, such as safety design for hardware and software, including but not limited to redundancy, fire control and malfunction prevention, appropriate treatment for aging degradation or any other appropriate measures. Because the evaluation of microcomputer software alone is very difficult and impractical, you are responsible for evaluating the safety of the final products or systems manufactured by you.
8. Please contact a Renesas Electronics sales office for details as to environmental matters such as the environmental compatibility of each Renesas Electronics product. You are responsible for carefully and sufficiently investigating applicable laws and regulations that regulate the inclusion or use of controlled substances, including without limitation, the EU RoHS Directive, and using Renesas Electronics products in compliance with all these applicable laws and regulations. Renesas Electronics disclaims any and all liability for damages or losses occurring as a result of your noncompliance with applicable laws and regulations.
9. Renesas Electronics products and technologies shall not be used for or incorporated into any products or systems whose manufacture, use, or sale is prohibited under any applicable domestic or foreign laws or regulations. You shall comply with any applicable export control laws and regulations promulgated and administered by the governments of any countries asserting jurisdiction over the parties or transactions.
10. It is the responsibility of the buyer or distributor of Renesas Electronics products, or any other party who distributes, disposes of, or otherwise sells or transfers the product to a third party, to notify such third party in advance of the contents and conditions set forth in this document.
11. This document shall not be reprinted, reproduced or duplicated in any form, in whole or in part, without prior written consent of Renesas Electronics.
12. Please contact a Renesas Electronics sales office if you have any questions regarding the information contained in this document or Renesas Electronics products.
(Note 1) "Renesas Electronics" as used in this document means Renesas Electronics Corporation and also includes its directly or indirectly controlled subsidiaries.
(Note 2) "Renesas Electronics product(s)" means any product developed or manufactured by or for Renesas Electronics.

(Rev.4.0-1 November 2017)



SALES OFFICES

Renesas Electronics Corporation

<http://www.renesas.com>

Refer to "<http://www.renesas.com/>" for the latest and detailed information.

Renesas Electronics America Inc.
1001 Murphy Ranch Road, Milpitas, CA 95035, U.S.A.
Tel: +1-408-432-8888, Fax: +1-408-434-5351

Renesas Electronics Canada Limited
9251 Yonge Street, Suite 8309 Richmond Hill, Ontario Canada L4C 9T3
Tel: +1-905-237-2004

Renesas Electronics Europe Limited
Dukes Meadow, Millboard Road, Bourne End, Buckinghamshire, SL8 5FH, U.K
Tel: +44-1628-651-700, Fax: +44-1628-651-804

Renesas Electronics Europe GmbH
Arcadiastrasse 10, 40472 Düsseldorf, Germany
Tel: +49-211-6503-0, Fax: +49-211-6503-1327

Renesas Electronics (China) Co., Ltd.
Room 1709 Quantum Plaza, No.27 ZhichunLu, Haidian District, Beijing, 100191 P. R. China
Tel: +86-10-8235-1155, Fax: +86-10-8235-7679

Renesas Electronics (Shanghai) Co., Ltd.
Unit 301, Tower A, Central Towers, 555 Langao Road, Putuo District, Shanghai, 200333 P. R. China
Tel: +86-21-2226-0888, Fax: +86-21-2226-0999

Renesas Electronics Hong Kong Limited
Unit 1601-1611, 16/F., Tower 2, Grand Century Place, 193 Prince Edward Road West, Mongkok, Kowloon, Hong Kong
Tel: +852-2265-6688, Fax: +852-2886-9022

Renesas Electronics Taiwan Co., Ltd.
13F, No. 363, Fu Shing North Road, Taipei 10543, Taiwan
Tel: +886-2-8175-9600, Fax: +886-2-8175-9670

Renesas Electronics Singapore Pte. Ltd.
80 Bendemeer Road, Unit #06-02 Hyflux Innovation Centre, Singapore 339949
Tel: +65-6213-0200, Fax: +65-6213-0300

Renesas Electronics Malaysia Sdn.Bhd.
Unit 1207, Block B, Menara Amcorp, Amcorp Trade Centre, No. 18, Jln Persiaran Barat, 46050 Petaling Jaya, Selangor Darul Ehsan, Malaysia
Tel: +60-3-7955-9390, Fax: +60-3-7955-9510

Renesas Electronics India Pvt. Ltd.
No.777C, 100 Feet Road, HAL 2nd Stage, Indiranagar, Bangalore 560 038, India
Tel: +91-80-67208700, Fax: +91-80-67208777

Renesas Electronics Korea Co., Ltd.
17F, KAMCO Yangjae Tower, 262, Gangnam-daero, Gangnam-gu, Seoul, 06265 Korea
Tel: +82-2-558-3737, Fax: +82-2-558-5338