

Introduction

The use of Intersil's nonvolatile digital potentiometers (XDCPs) in mixed signal applications can offer a number of unique system advantages over the use of mechanical potentiometers. During prototyping, a design engineer may want to evaluate these devices in order to see how well they will perform in the intended application. In many cases, a simple circuit to control an XDCPs operation (and which can be "jumped" into a target system) is sufficient. To that end, this application note features some simple circuit schematics that an engineer can build in order to quickly evaluate any of Intersil's XDCPs.

PushPOTs

The X9511 is a 32-tap, human interface, nonvolatile digital potentiometer with a direct pushbutton interface (i.e. PushPOT). This device provides added flexibility when designing consumer or industrial products which require user control of system parameters (e.g. LCD backlighting and contrast control on laptop computers). The PushPOT interface consists of separate PU and PD pins to control the movement of the wiper (respectively, up or down). Holding either pin LOW for a sufficiently long period of time allows the PushPOT to enter a slow wiper scan mode, which allows multiple wiper transitions without the need to pulse the pin HIGH between transitions. Continuing to hold the pin LOW will eventually initiate a fast wiper scan mode. Both of these pins are debounced and internally pulled-up, allowing for a direct pushbutton interface. The ASE pin (also debounced), when tied LOW during operation, implements a power-down AUTOSTORE™ mode which stores the current wiper position to EEPROM. Alternatively, if this pin is normally HIGH during operation, but pulsed LOW when desired, a

manual nonvolatile store cycle can be initiated. The X9514 is a log taper version of the X9511. The circuit in Figure 1 can be used to evaluate these devices.

2-Wire Serial Interface XDCPs

Intersil's dual and quad XDCPs are available with an industry standard 2-wire serial interface. The X9221 is a dual 64-tap device and the X9241 is a quad 64-tap device. Among other features, additional EEPROM registers are contained within each device to allow for greater system flexibility (i.e. in order to store multiple wiper positions which can be recalled via software or to serve as a small amount of scratch nonvolatile memory for the system). The X9241 also allows for adjacent potentiometers to be internally cascaded, enabling the creation of a 256-tap potentiometer with only 3 redundant tap positions. The circuit in Figure 2 can be used to evaluate these devices.

3-Wire XDCPs

A more traditional 3-wire interface, consisting of chip select (CS), increment (INC), and directional (U/D) pins, can be found on the X9CMME, X9312, X9313, and X9314. The X9CMME (aka X9C102/103/104/503) has 100 taps and a tolerance on VH and VL of between -5V and +5V with respect to the Vss pin voltage. This is standard for all of Intersil's XDCPs, except for the X9312 which allows for any voltage between 0V and +15V (with respect to its Vss pin voltage) to be applied to VH or VL. The X9CMME and X9312 have 100 taps, while the X9313 and X9314 have 32 taps. The X9314 is a log taper version of the X9313. The circuit in Figure 3 can be used to evaluate these devices.

TABLE 1. XDCP DEVICE SUMMARY

PART NO.	VH & VL RANGE	TAP POSITIONS	END-TO END RESISTANCE (W)	V _{CC}	PACKAGES ¹	COMMENTS
X9CMME	±5V	100	1K, 10K, 50K, 100K	3V - 5.5V	S8	
X9312	0V to 15V	100	1K, 10K, 50K, 100K	4.5V - 5.5V	S8	
X9313	±5V	32	1K, 10K, 50K, 100K	3V - 5.5V	S8 M8	
X9314	±5V	32	10K	3V - 5.5V	S8 M8	log taper
X9511	±5V	32	1K, 10K	4.5V - 5.5V	S8	PushPOT
X9221	±5V	64 (dual)	2K, 10K, 50K	4.5V - 5.5V	S20	2-wire compatible, cascadeable
X9241	±5V	64 (quad)	2K, 10K, 50K	4.5V - 5.5V	S20 V20	2-wire compatible, cascadeable

¹. Package code: S=SOIC, M=MSOP, V=TSSOP, and the number indicates the number of pins/leads. Intersil package codes do not usually contain the pin/lead count so these abbreviations should not be used when ordering parts.

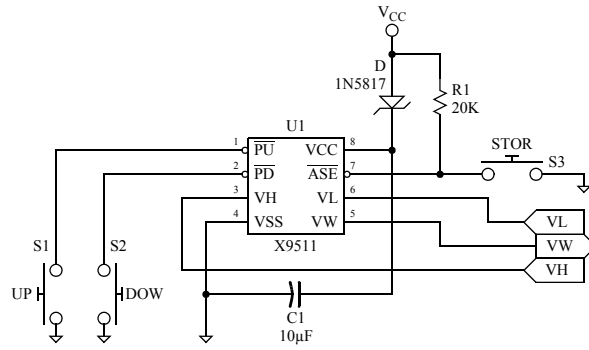


FIGURE 1. PUSHPOT EVALUATION CIRCUIT (WITH EXTERNAL AUTOSTORE CIRCUITRY).

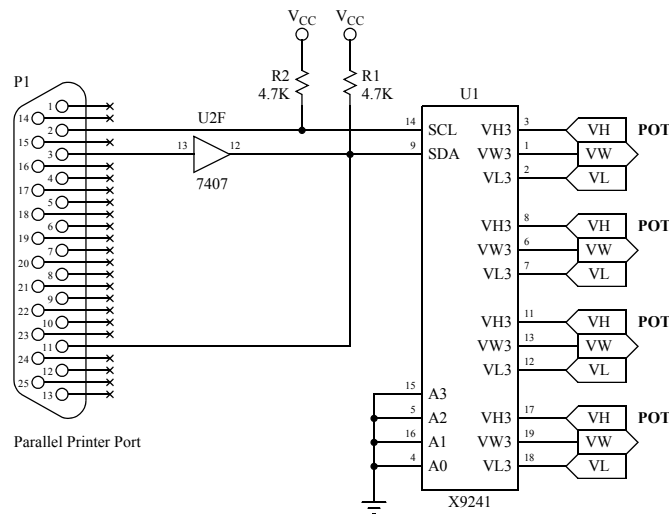


FIGURE 2. X9221, X9241 EVALUATION CIRCUIT

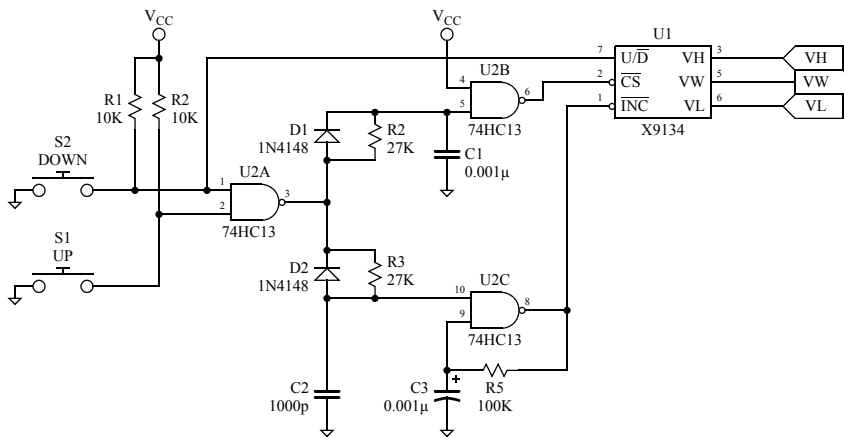


FIGURE 3. SIMPLE 3-WIRE XDCP EVALUATION CIRCUIT

Notice

1. Descriptions of circuits, software and other related information in this document are provided only to illustrate the operation of semiconductor products and application examples. You are fully responsible for the incorporation or any other use of the circuits, software, and information in the design of your product or system. Renesas Electronics disclaims any and all liability for any losses and damages incurred by you or third parties arising from the use of these circuits, software, or information.
2. Renesas Electronics hereby expressly disclaims any warranties against and liability for infringement or any other claims involving patents, copyrights, or other intellectual property rights of third parties, by or arising from the use of Renesas Electronics products or technical information described in this document, including but not limited to, the product data, drawings, charts, programs, algorithms, and application examples.
3. No license, express, implied or otherwise, is granted hereby under any patents, copyrights or other intellectual property rights of Renesas Electronics or others.
4. You shall not alter, modify, copy, or reverse engineer any Renesas Electronics product, whether in whole or in part. Renesas Electronics disclaims any and all liability for any losses or damages incurred by you or third parties arising from such alteration, modification, copying or reverse engineering.
5. Renesas Electronics products are classified according to the following two quality grades: "Standard" and "High Quality". The intended applications for each Renesas Electronics product depends on the product's quality grade, as indicated below.
"Standard": Computers; office equipment; communications equipment; test and measurement equipment; audio and visual equipment; home electronic appliances; machine tools; personal electronic equipment; industrial robots; etc.
"High Quality": Transportation equipment (automobiles, trains, ships, etc.); traffic control (traffic lights); large-scale communication equipment; key financial terminal systems; safety control equipment; etc.
Unless expressly designated as a high reliability product or a product for harsh environments in a Renesas Electronics data sheet or other Renesas Electronics document, Renesas Electronics products are not intended or authorized for use in products or systems that may pose a direct threat to human life or bodily injury (artificial life support devices or systems; surgical implantations; etc.), or may cause serious property damage (space system; undersea repeaters; nuclear power control systems; aircraft control systems; key plant systems; military equipment; etc.). Renesas Electronics disclaims any and all liability for any damages or losses incurred by you or any third parties arising from the use of any Renesas Electronics product that is inconsistent with any Renesas Electronics data sheet, user's manual or other Renesas Electronics document.
6. When using Renesas Electronics products, refer to the latest product information (data sheets, user's manuals, application notes, "General Notes for Handling and Using Semiconductor Devices" in the reliability handbook, etc.), and ensure that usage conditions are within the ranges specified by Renesas Electronics with respect to maximum ratings, operating power supply voltage range, heat dissipation characteristics, installation, etc. Renesas Electronics disclaims any and all liability for any malfunctions, failure or accident arising out of the use of Renesas Electronics products outside of such specified ranges.
7. Although Renesas Electronics endeavors to improve the quality and reliability of Renesas Electronics products, semiconductor products have specific characteristics, such as the occurrence of failure at a certain rate and malfunctions under certain use conditions. Unless designated as a high reliability product or a product for harsh environments in a Renesas Electronics data sheet or other Renesas Electronics document, Renesas Electronics products are not subject to radiation resistance design. You are responsible for implementing safety measures to guard against the possibility of bodily injury, injury or damage caused by fire, and/or danger to the public in the event of a failure or malfunction of Renesas Electronics products, such as safety design for hardware and software, including but not limited to redundancy, fire control and malfunction prevention, appropriate treatment for aging degradation or any other appropriate measures. Because the evaluation of microcomputer software alone is very difficult and impractical, you are responsible for evaluating the safety of the final products or systems manufactured by you.
8. Please contact a Renesas Electronics sales office for details as to environmental matters such as the environmental compatibility of each Renesas Electronics product. You are responsible for carefully and sufficiently investigating applicable laws and regulations that regulate the inclusion or use of controlled substances, including without limitation, the EU RoHS Directive, and using Renesas Electronics products in compliance with all these applicable laws and regulations. Renesas Electronics disclaims any and all liability for damages or losses occurring as a result of your noncompliance with applicable laws and regulations.
9. Renesas Electronics products and technologies shall not be used for or incorporated into any products or systems whose manufacture, use, or sale is prohibited under any applicable domestic or foreign laws or regulations. You shall comply with any applicable export control laws and regulations promulgated and administered by the governments of any countries asserting jurisdiction over the parties or transactions.
10. It is the responsibility of the buyer or distributor of Renesas Electronics products, or any other party who distributes, disposes of, or otherwise sells or transfers the product to a third party, to notify such third party in advance of the contents and conditions set forth in this document.
11. This document shall not be reprinted, reproduced or duplicated in any form, in whole or in part, without prior written consent of Renesas Electronics.
12. Please contact a Renesas Electronics sales office if you have any questions regarding the information contained in this document or Renesas Electronics products.
(Note 1) "Renesas Electronics" as used in this document means Renesas Electronics Corporation and also includes its directly or indirectly controlled subsidiaries.
(Note 2) "Renesas Electronics product(s)" means any product developed or manufactured by or for Renesas Electronics.

(Rev.4.0-1 November 2017)



SALES OFFICES

Renesas Electronics Corporation

<http://www.renesas.com>

Refer to "<http://www.renesas.com/>" for the latest and detailed information.

Renesas Electronics America Inc.
1001 Murphy Ranch Road, Milpitas, CA 95035, U.S.A.
Tel: +1-408-432-8888, Fax: +1-408-434-5351

Renesas Electronics Canada Limited
9251 Yonge Street, Suite 8309 Richmond Hill, Ontario Canada L4C 9T3
Tel: +1-905-237-2004

Renesas Electronics Europe Limited
Dukes Meadow, Millboard Road, Bourne End, Buckinghamshire, SL8 5FH, U.K
Tel: +44-1628-651-700, Fax: +44-1628-651-804

Renesas Electronics Europe GmbH
Arcadiastrasse 10, 40472 Düsseldorf, Germany
Tel: +49-211-6503-0, Fax: +49-211-6503-1327

Renesas Electronics (China) Co., Ltd.
Room 1709 Quantum Plaza, No.27 ZhichunLu, Haidian District, Beijing, 100191 P. R. China
Tel: +86-10-8235-1155, Fax: +86-10-8235-7679

Renesas Electronics (Shanghai) Co., Ltd.
Unit 301, Tower A, Central Towers, 555 Langao Road, Putuo District, Shanghai, 200333 P. R. China
Tel: +86-21-2226-0888, Fax: +86-21-2226-0999

Renesas Electronics Hong Kong Limited
Unit 1601-1611, 16/F., Tower 2, Grand Century Place, 193 Prince Edward Road West, Mongkok, Kowloon, Hong Kong
Tel: +852-2265-6688, Fax: +852-2886-9022

Renesas Electronics Taiwan Co., Ltd.
13F, No. 363, Fu Shing North Road, Taipei 10543, Taiwan
Tel: +886-2-8175-9600, Fax: +886-2-8175-9670

Renesas Electronics Singapore Pte. Ltd.
80 Bendemeer Road, Unit #06-02 Hyflux Innovation Centre, Singapore 339949
Tel: +65-6213-0200, Fax: +65-6213-0300

Renesas Electronics Malaysia Sdn.Bhd.
Unit 1207, Block B, Menara Amcorp, Amcorp Trade Centre, No. 18, Jln Persiaran Barat, 46050 Petaling Jaya, Selangor Darul Ehsan, Malaysia
Tel: +60-3-7955-9390, Fax: +60-3-7955-9510

Renesas Electronics India Pvt. Ltd.
No.777C, 100 Feet Road, HAL 2nd Stage, Indiranagar, Bangalore 560 038, India
Tel: +91-80-67208700, Fax: +91-80-67208777

Renesas Electronics Korea Co., Ltd.
17F, KAMCO Yangjae Tower, 262, Gangnam-daero, Gangnam-gu, Seoul, 06265 Korea
Tel: +82-2-558-3737, Fax: +82-2-558-5338