

Introduction

There are times when a digital video fade control is needed. DCPs are often overlooked for this application as they are thought to have too low a bandwidth for video. By selecting the proper DCP, the bandwidth is sufficient for NTSC and PAL video, as well as for HDTV.

Solution

The X9317ZS8 is a 1k Ω DCP and only a low value DCP can be used for video. The high operating capacitance of the CMOS switches used in the DCP causes the loss in bandwidth. This application note shows how to use a DCP as a video fader for digital control of the fade function. The fader function is done by using a DCP with one video source connected to one end of the DCP and a second video source connected to the other end of the DCP. Now, with the DCP set to one end only, the first video will be seen. Set at the other end of the DCP, only the second video will be seen. At the middle of the DCP setting, both videos will be seen but only at half level each. The other settings will be comparable ratios.

Video Sync

For two video sources to be faded they must be in sync. Some video sources can be synced from external sources. For those cases, the EL1881, EL1883 can be used as a sync source. The EL1881, EL1883 C SYNC output is low power, so it needs digital buffering to transmit over a cable. The EL1881, EL1883 also allows the fade to black function. The EL1881, EL1883 insures the constant sync needed for the fade to black function. The C SYNC out of the EL1881, EL1883 is too large to be used as the video sync, so it is attenuated to normal video level. If neither of these are used then the EL1881, EL1883 can be an unused option. For video sources that are not synced, there are costly converter boxes available to sync them.

Bandwidth Enhancement

The circuit uses one small capacitor for bandwidth recovery to compensate for the bandwidth loss of the DCP. The capacitor is very small value so has little risk of causing excess peaking. The capacitor C_5 from the op amp non-inverting input to the op amp output extends the bandwidth at all fader settings.

Circuit Biasing

The X9317 DCP is a 0V_{SUPPLY} to 5V_{SUPPLY} part and the video is AC coupled in so the DCP would see minus voltage and exceed the absolute maximum rating. To correct for this, a two diode clamp is used to clamp the sync tip to ~100mV above ground. The 100mV is the result of the difference in the bias current of the diodes, approximately 50 to 1 ratio. The clamp circuit also will reduce some power line noise on the video input signal. The output op amp also uses 0V_{SUPPLY} to 5V_{SUPPLY} and with only ~100mV on the sync tip output the coupling capacitor may be an option for some applications.

Cross Coupling

A small amount of cross coupling would be present from one input to the other at approximately 3.7% with no video input buffers. This can be corrected by using video buffers on the video source input lines. With buffers used, the bias input clamps are needed on both buffer inputs.

The circuit is shown with inputs terminated with 75 Ω to ground for a 75 Ω cable input. There is also an output series resistor, 75 Ω , for back-loaded cable driving. If there is no output cable load, then the amp gain may be set to one by changing the resistor value of the gain R_{14} to open and feedback R_{13} to zero.

The X9317ZS8 is a three wire up/down logic control DCP and the data sheet will give all the details needed for its proper operation.

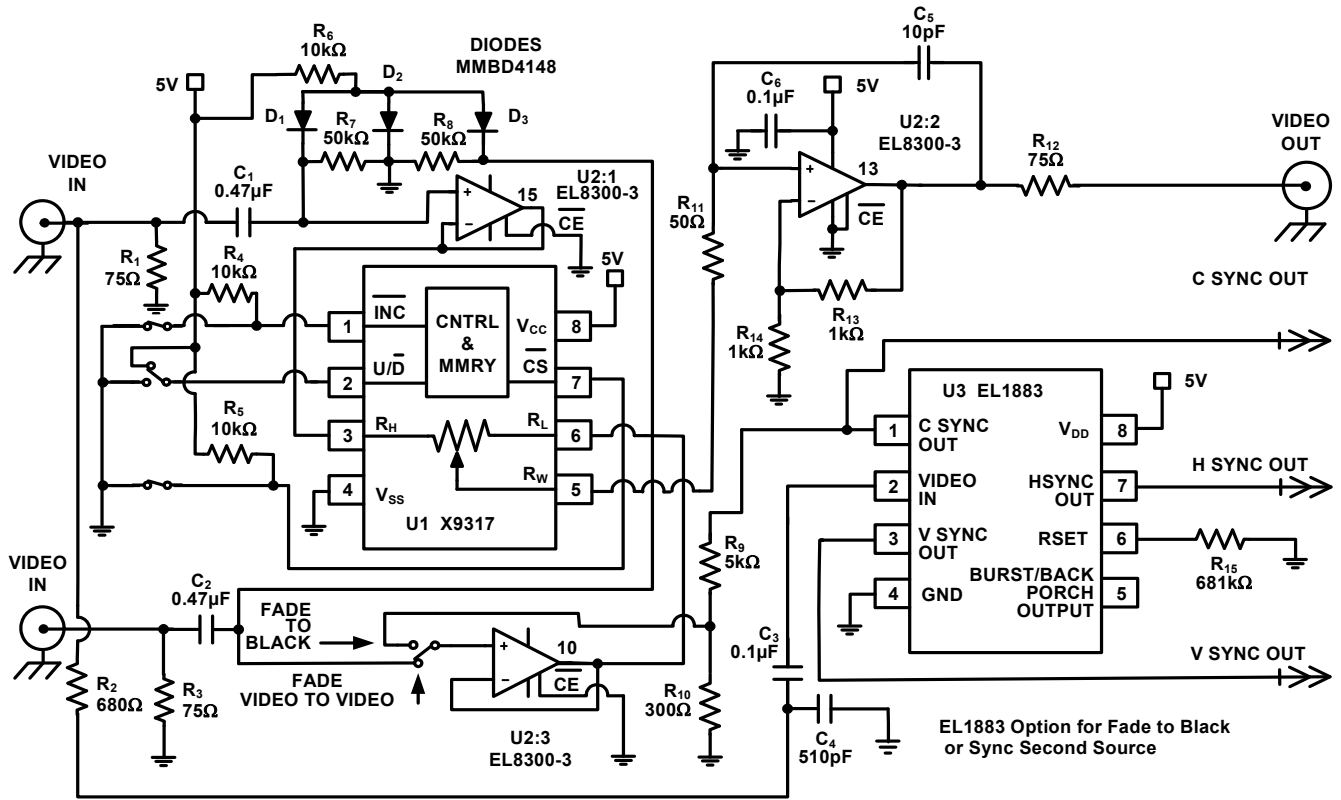


FIGURE 1. VIDEO FADER W/DCP DIGITAL CONTROL SCHEMATIC

NOTE: Figure 1 shows an updated, modified version of Figure 2 Eval Board Layout Schematic with the buffer amp U2C output directly connected to DCP Pin 6 and switch on U2C pin 8.

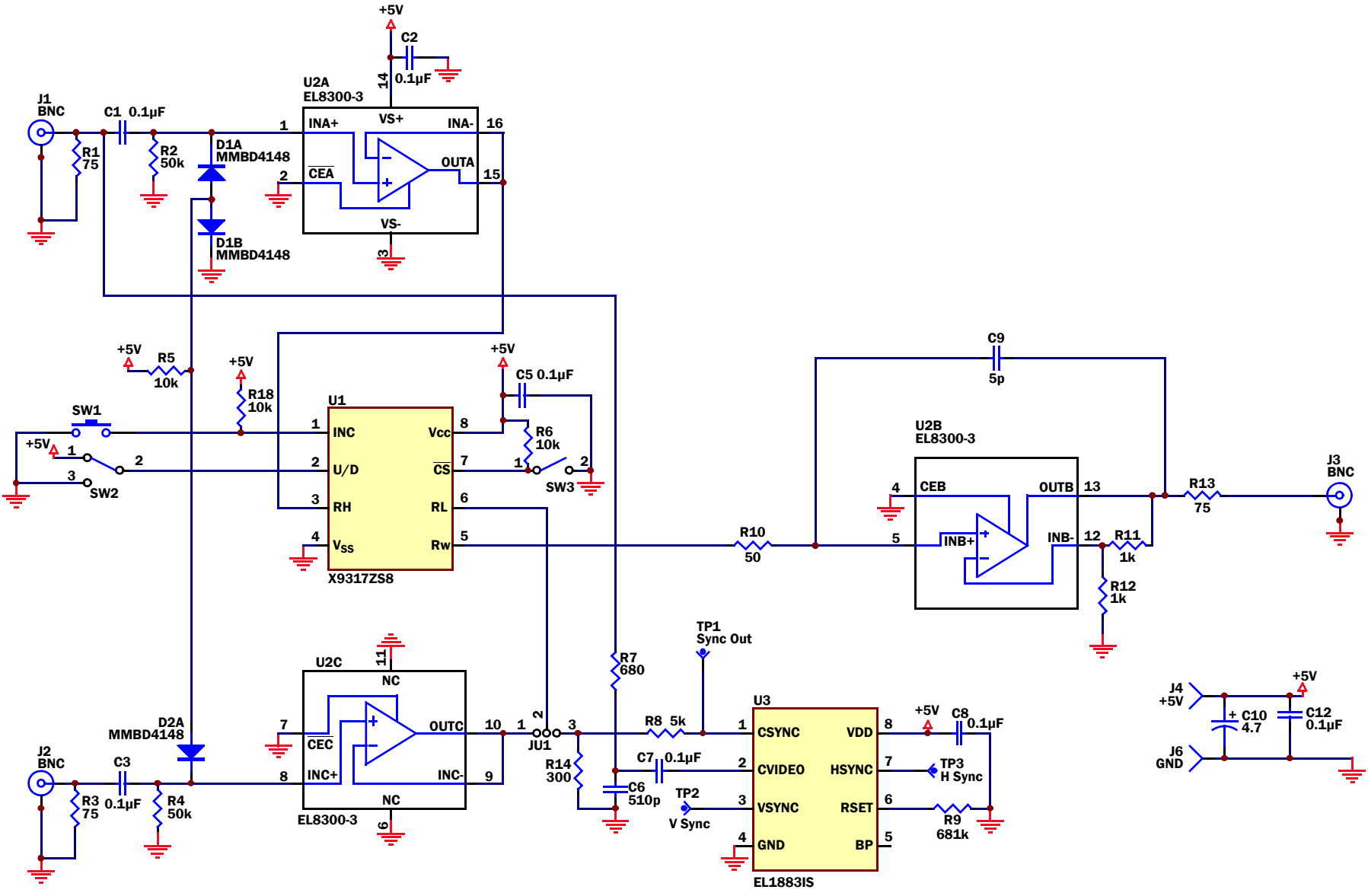


FIGURE 2. BOARD LAYOUT SCHEMATIC

Eval Board Layouts

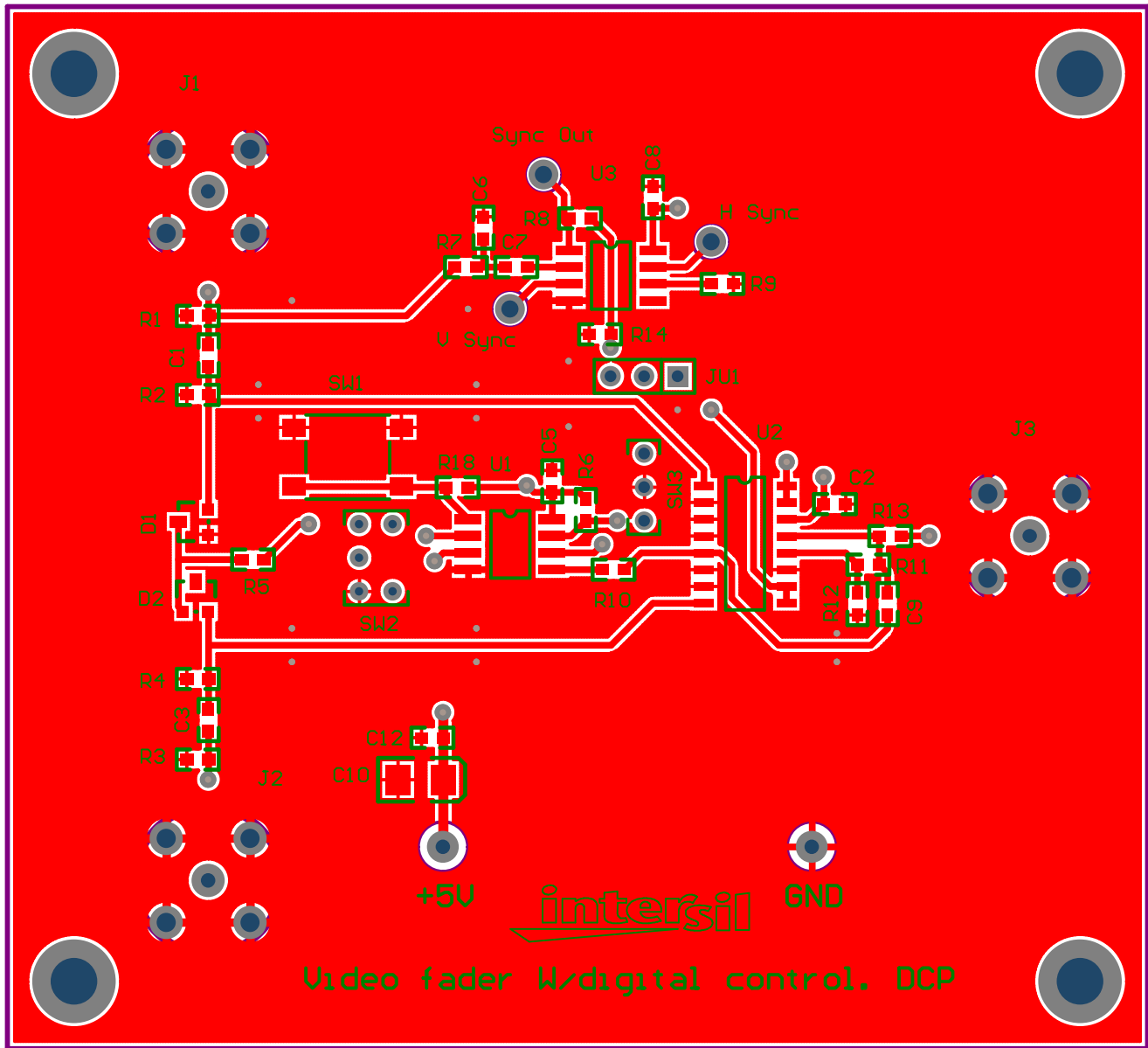


FIGURE 3. TOP LAYER

Eval Board Layouts (Continued)

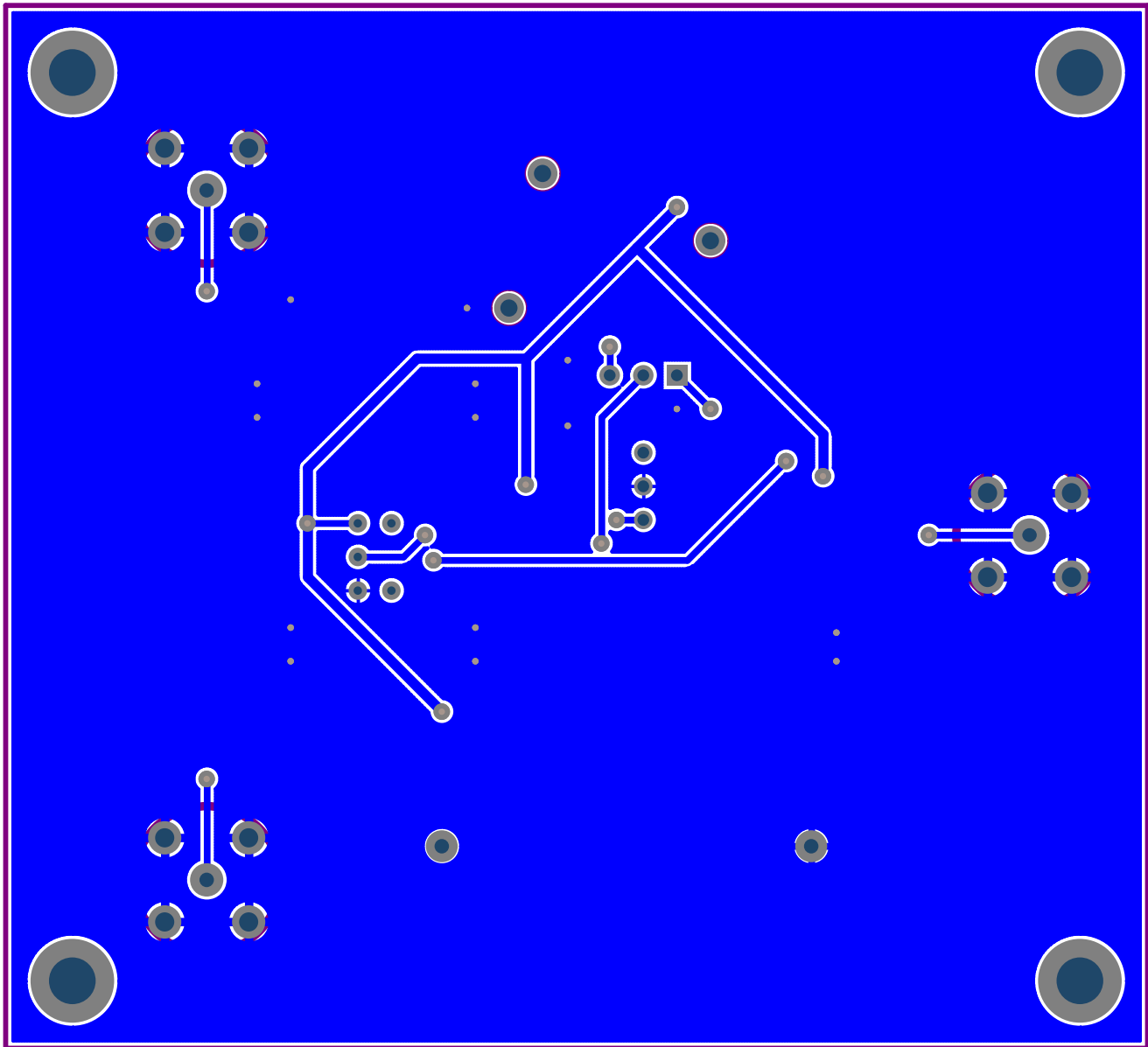


FIGURE 4. BOTTOM LAYER

Eval Board Layouts (Continued)

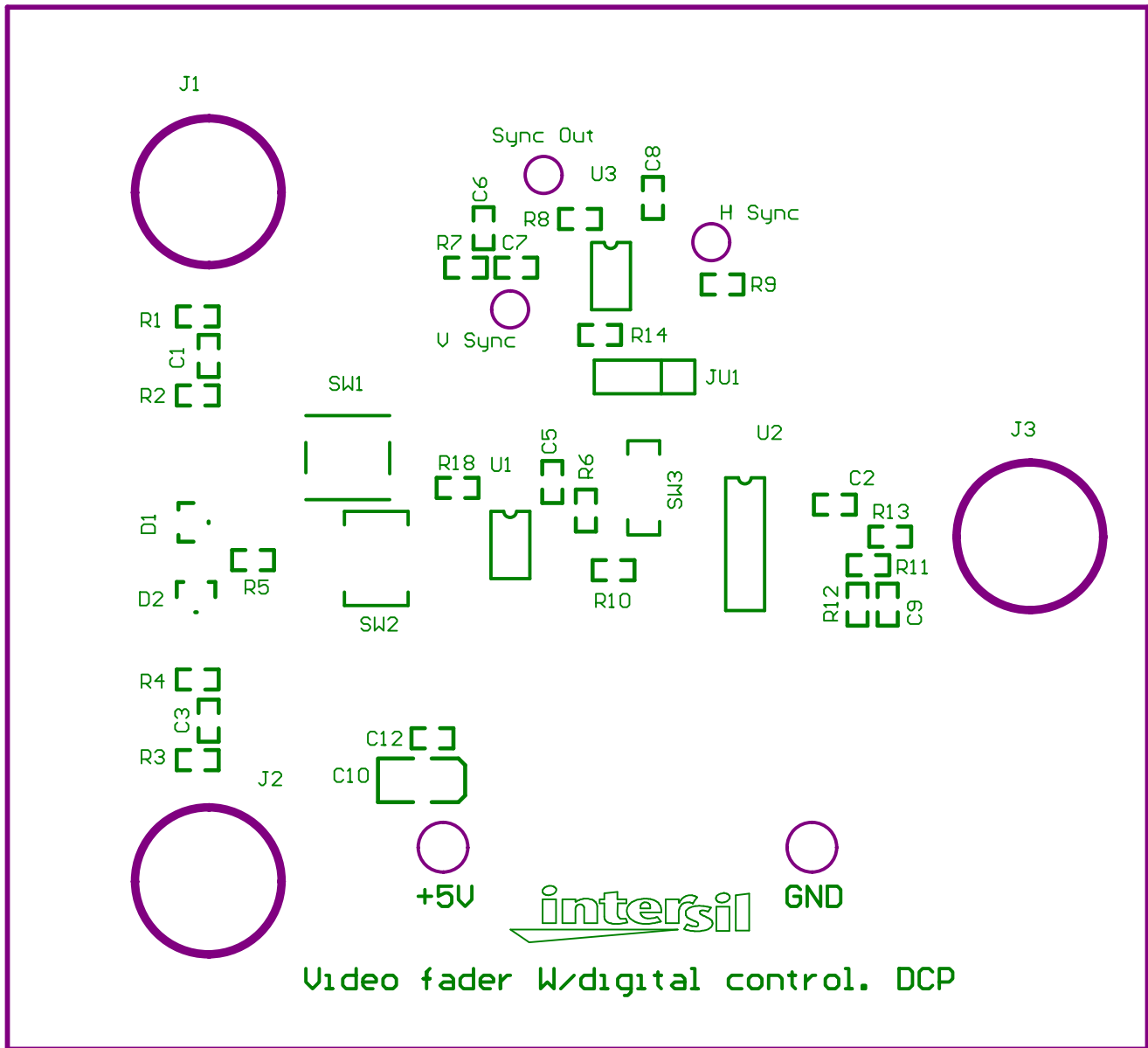


FIGURE 5. PART PLACEMENT

Notice

1. Descriptions of circuits, software and other related information in this document are provided only to illustrate the operation of semiconductor products and application examples. You are fully responsible for the incorporation or any other use of the circuits, software, and information in the design of your product or system. Renesas Electronics disclaims any and all liability for any losses and damages incurred by you or third parties arising from the use of these circuits, software, or information.
2. Renesas Electronics hereby expressly disclaims any warranties against and liability for infringement or any other claims involving patents, copyrights, or other intellectual property rights of third parties, by or arising from the use of Renesas Electronics products or technical information described in this document, including but not limited to, the product data, drawings, charts, programs, algorithms, and application examples.
3. No license, express, implied or otherwise, is granted hereby under any patents, copyrights or other intellectual property rights of Renesas Electronics or others.
4. You shall not alter, modify, copy, or reverse engineer any Renesas Electronics product, whether in whole or in part. Renesas Electronics disclaims any and all liability for any losses or damages incurred by you or third parties arising from such alteration, modification, copying or reverse engineering.
5. Renesas Electronics products are classified according to the following two quality grades: "Standard" and "High Quality". The intended applications for each Renesas Electronics product depends on the product's quality grade, as indicated below.
"Standard": Computers; office equipment; communications equipment; test and measurement equipment; audio and visual equipment; home electronic appliances; machine tools; personal electronic equipment; industrial robots; etc.
"High Quality": Transportation equipment (automobiles, trains, ships, etc.); traffic control (traffic lights); large-scale communication equipment; key financial terminal systems; safety control equipment; etc.
Unless expressly designated as a high reliability product or a product for harsh environments in a Renesas Electronics data sheet or other Renesas Electronics document, Renesas Electronics products are not intended or authorized for use in products or systems that may pose a direct threat to human life or bodily injury (artificial life support devices or systems; surgical implantations; etc.), or may cause serious property damage (space system; undersea repeaters; nuclear power control systems; aircraft control systems; key plant systems; military equipment; etc.). Renesas Electronics disclaims any and all liability for any damages or losses incurred by you or any third parties arising from the use of any Renesas Electronics product that is inconsistent with any Renesas Electronics data sheet, user's manual or other Renesas Electronics document.
6. When using Renesas Electronics products, refer to the latest product information (data sheets, user's manuals, application notes, "General Notes for Handling and Using Semiconductor Devices" in the reliability handbook, etc.), and ensure that usage conditions are within the ranges specified by Renesas Electronics with respect to maximum ratings, operating power supply voltage range, heat dissipation characteristics, installation, etc. Renesas Electronics disclaims any and all liability for any malfunctions, failure or accident arising out of the use of Renesas Electronics products outside of such specified ranges.
7. Although Renesas Electronics endeavors to improve the quality and reliability of Renesas Electronics products, semiconductor products have specific characteristics, such as the occurrence of failure at a certain rate and malfunctions under certain use conditions. Unless designated as a high reliability product or a product for harsh environments in a Renesas Electronics data sheet or other Renesas Electronics document, Renesas Electronics products are not subject to radiation resistance design. You are responsible for implementing safety measures to guard against the possibility of bodily injury, injury or damage caused by fire, and/or danger to the public in the event of a failure or malfunction of Renesas Electronics products, such as safety design for hardware and software, including but not limited to redundancy, fire control and malfunction prevention, appropriate treatment for aging degradation or any other appropriate measures. Because the evaluation of microcomputer software alone is very difficult and impractical, you are responsible for evaluating the safety of the final products or systems manufactured by you.
8. Please contact a Renesas Electronics sales office for details as to environmental matters such as the environmental compatibility of each Renesas Electronics product. You are responsible for carefully and sufficiently investigating applicable laws and regulations that regulate the inclusion or use of controlled substances, including without limitation, the EU RoHS Directive, and using Renesas Electronics products in compliance with all these applicable laws and regulations. Renesas Electronics disclaims any and all liability for damages or losses occurring as a result of your noncompliance with applicable laws and regulations.
9. Renesas Electronics products and technologies shall not be used for or incorporated into any products or systems whose manufacture, use, or sale is prohibited under any applicable domestic or foreign laws or regulations. You shall comply with any applicable export control laws and regulations promulgated and administered by the governments of any countries asserting jurisdiction over the parties or transactions.
10. It is the responsibility of the buyer or distributor of Renesas Electronics products, or any other party who distributes, disposes of, or otherwise sells or transfers the product to a third party, to notify such third party in advance of the contents and conditions set forth in this document.
11. This document shall not be reprinted, reproduced or duplicated in any form, in whole or in part, without prior written consent of Renesas Electronics.
12. Please contact a Renesas Electronics sales office if you have any questions regarding the information contained in this document or Renesas Electronics products.
(Note 1) "Renesas Electronics" as used in this document means Renesas Electronics Corporation and also includes its directly or indirectly controlled subsidiaries.
(Note 2) "Renesas Electronics product(s)" means any product developed or manufactured by or for Renesas Electronics.

(Rev.4.0-1 November 2017)



SALES OFFICES

Renesas Electronics Corporation

<http://www.renesas.com>

Refer to "<http://www.renesas.com/>" for the latest and detailed information.

Renesas Electronics America Inc.
1001 Murphy Ranch Road, Milpitas, CA 95035, U.S.A.
Tel: +1-408-432-8888, Fax: +1-408-434-5351

Renesas Electronics Canada Limited
9251 Yonge Street, Suite 8309 Richmond Hill, Ontario Canada L4C 9T3
Tel: +1-905-237-2004

Renesas Electronics Europe Limited
Dukes Meadow, Millboard Road, Bourne End, Buckinghamshire, SL8 5FH, U.K
Tel: +44-1628-651-700, Fax: +44-1628-651-804

Renesas Electronics Europe GmbH
Arcadiastrasse 10, 40472 Düsseldorf, Germany
Tel: +49-211-6503-0, Fax: +49-211-6503-1327

Renesas Electronics (China) Co., Ltd.
Room 1709 Quantum Plaza, No.27 ZhichunLu, Haidian District, Beijing, 100191 P. R. China
Tel: +86-10-8235-1155, Fax: +86-10-8235-7679

Renesas Electronics (Shanghai) Co., Ltd.
Unit 301, Tower A, Central Towers, 555 Langao Road, Putuo District, Shanghai, 200333 P. R. China
Tel: +86-21-2226-0888, Fax: +86-21-2226-0999

Renesas Electronics Hong Kong Limited
Unit 1601-1611, 16/F., Tower 2, Grand Century Place, 193 Prince Edward Road West, Mongkok, Kowloon, Hong Kong
Tel: +852-2265-6688, Fax: +852-2886-9022

Renesas Electronics Taiwan Co., Ltd.
13F, No. 363, Fu Shing North Road, Taipei 10543, Taiwan
Tel: +886-2-8175-9600, Fax: +886-2-8175-9670

Renesas Electronics Singapore Pte. Ltd.
80 Bendemeer Road, Unit #06-02 Hyflux Innovation Centre, Singapore 339949
Tel: +65-6213-0200, Fax: +65-6213-0300

Renesas Electronics Malaysia Sdn.Bhd.
Unit 1207, Block B, Menara Amcorp, Amcorp Trade Centre, No. 18, Jln Persiaran Barat, 46050 Petaling Jaya, Selangor Darul Ehsan, Malaysia
Tel: +60-3-7955-9390, Fax: +60-3-7955-9510

Renesas Electronics India Pvt. Ltd.
No.777C, 100 Feet Road, HAL 2nd Stage, Indiranagar, Bangalore 560 038, India
Tel: +91-80-67208700, Fax: +91-80-67208777

Renesas Electronics Korea Co., Ltd.
17F, KAMCO Yangjae Tower, 262, Gangnam-daero, Gangnam-gu, Seoul, 06265 Korea
Tel: +82-2-558-3737, Fax: +82-2-558-5338