

Get Precision Performance from a Digitally Controlled Potentiometer (DCP)

AN1425
Rev 1.00
Jun 5, 2009

Typical resistance accuracy of the polysilicon DCP is in $\pm 20\%$ range. However, the relative accuracy or matching of the resistive elements in the particular resistor array is excellent, and usually is in range of $\pm 1\%$ or better. Thus, this discrepancy between relative and total accuracy should be carefully calculated during the design stage in order to avoid or minimize an additional adjustment of the application circuitry in production. In this application note we will discuss how the DCP accuracy affects the design and some techniques to improve final system accuracy.

There are two major uses of DCP in application design – as a voltage divider and as a variable resistor.

Voltage Divider Mode

When a DCP is used as a voltage divider and its R_H and R_L terminals are connected to the voltage rails, the final accuracy of the wiper R_W depends only on the internal resistance matching and will be the same from part to part, regardless of their total resistance accuracy. This is simply because of voltage between R_H and R_L terminals is divided in between particular number of taps, i.e. scaled down among n numbers of equal resistive elements in the divider string. For example, for the configuration shown in Figure 1, the output voltage V_{OUT} for the wiper position m , can be calculated as Equations 1 and 2.

$$V_{OUT} = \frac{V_{IN}}{R_{TOTAL}} \times \frac{R_{TOTAL}}{n-1} \times m \tag{EQ. 1}$$

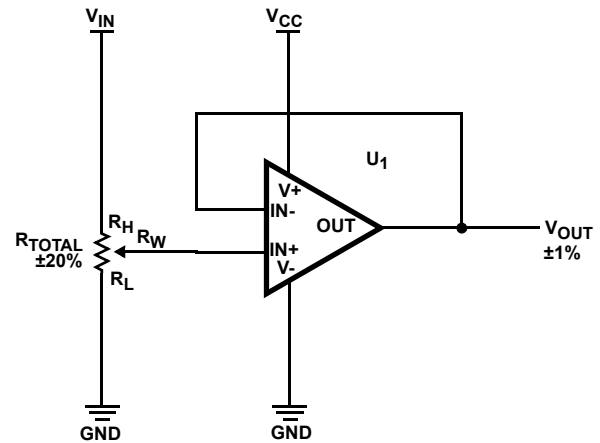


FIGURE 1. HIGH ACCURACY VOLTAGE DIVIDER

or:

$$V_{OUT} = \frac{V_{IN}}{n-1} \times m \tag{EQ. 2}$$

where, m is a current wiper position and n is a total number of taps. As can be seen from Equation 2, the resistance accuracy is canceled out and has no effect on V_{OUT} .

However, if a DCP has another resistor(s) on its R_H and/or R_L terminal, the accuracy of the output signal becomes a function of the initial accuracy of the DCP. This is because the scaled factor is not equal among the divider string, Figure 2.

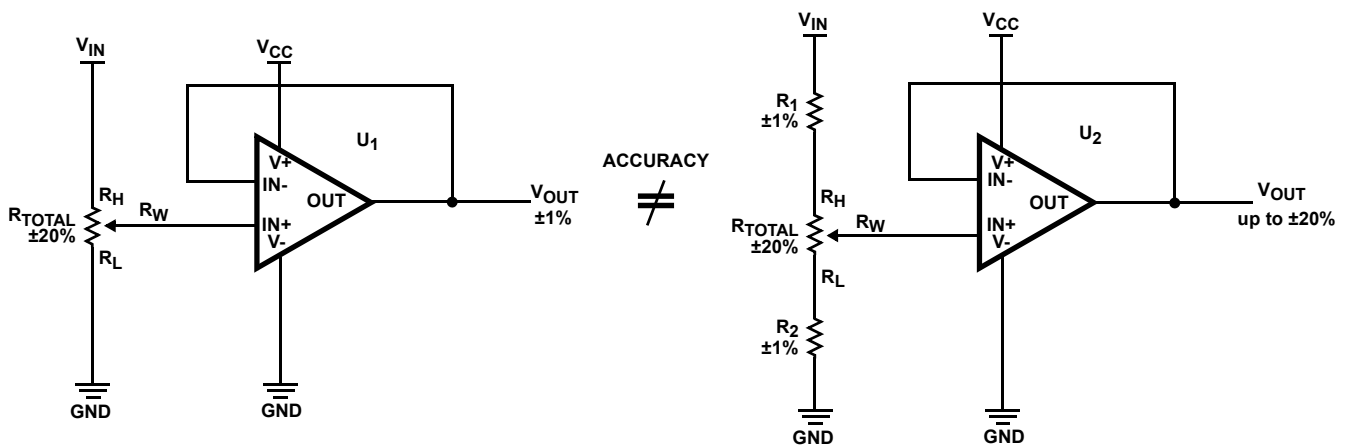


FIGURE 2. EXAMPLE OF ACCURACY INEQUALITY

The output function for the circuitry with R_1 and R_2 in Figure 2 is as shown in Equation 3:

$$V_{OUT} = \frac{V_{IN}}{R_1 + R_{TOTAL} + R_2} \times \left(R_2 + \frac{R_{TOTAL}}{(n-1)} \times m \right) \quad (EQ. 3)$$

where n is the total number of taps and m is the current wiper position.

Note that wiper resistance is not included, because it has no effect in this particular configuration, assuming that we have an ideal Op Amp.

Rheostat Mode

When a DCP is used as a variable resistor, its output accuracy becomes a combination of initial accuracy ($\pm 20\%$) plus an additional error from wiper resistance, since the wiper switch is not ideal (it has a small resistance, typically about 70Ω) and its value may vary among the taps. The wiper resistance can be lowered in rheostat configuration, e.g. when the wiper is connected to one of the end terminals (see Figure 3A).

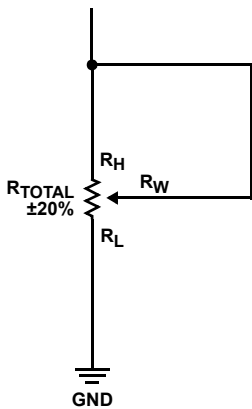


FIGURE 3A.

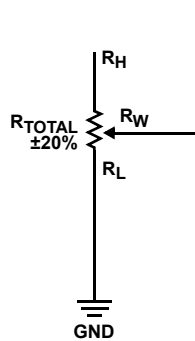


FIGURE 3B.

FIGURE 3. RHEOSTAT/VARIABLE RESISTOR CONFIGURATION

In rheostat configuration (Figure 3A), wiper resistance appears in parallel with the part of the resistor string and its effect depends on the selected wiper position.

Another possible configuration is to leave one of the end terminals floating as in Figure 3B. In this case, the wiper resistance is well known and usually provided as a graph in a data sheet that makes calculation of total resistance at each tap much easier. Equation 3 can be used to calculate resistance at tap m

$$R_m = \frac{R_{TOTAL}}{n-1} \times m + R_{WIPER} + R_{OFFSET} \quad (EQ. 4)$$

Design Examples Allow Increases in Circuitry Accuracy

Even though the initial accuracy of the regular DCP is in $\pm 20\%$ range, the accuracy of the application can be improved by using certain techniques. For example, the design in Figure 2

can be slightly modified in order to get higher accuracy, as shown in Figure 4.

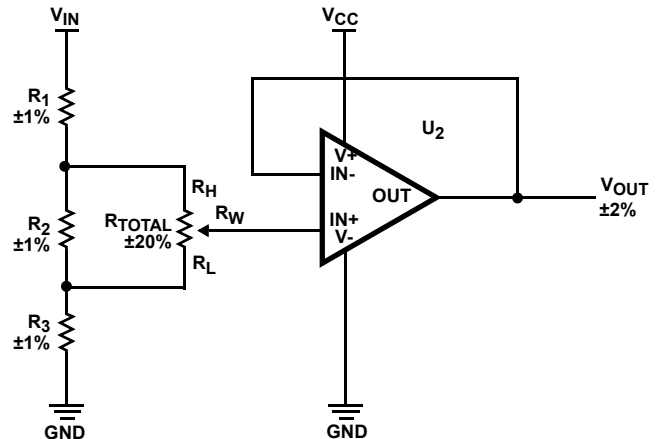


FIGURE 4. EXAMPLE OF INCREASED ACCURACY IN VOLTAGE DIVIDER MODE

In Figure 4, the input signal V_{IN} is divided by the string of fixed resistors R_1 , R_2 and R_3 , and a DCP is placed in parallel with R_2 . This configuration preserves the flexibility of the variable output with much higher accuracy. Note that in order to get desired accuracy, the value of R_{TOTAL} has to be about five to ten times the value of R_2 .

Better accuracy comes when the DCP is used as a variable resistor by combining the DCP with high precision resistors in parallel and serial configuration, Figure 5.

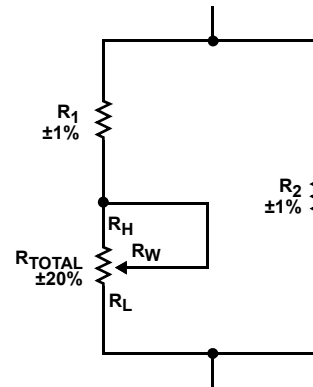


FIGURE 5. DCP IN BOTH SERIAL AND PARALLEL CONFIGURATION WITH FIXED RESISTORS

For example, using $\pm 20\%$ 10k 256 taps DCP and circuitry as in Figure 5, we can get a variable resistor from 5.5k to 10.695k with accuracy distributed from $\pm 1.1\%$ to $\pm 8.5\%$, (Table 1).

TABLE 1. DCP IN BOTH SERIAL AND PARALLEL CONFIGURATION WITH FIXED RESISTORS

	DCP Rtotal (k Ω)	R1 (k Ω)	R2 (k Ω)	MINIMUM TOTAL RESISTANCE, DCP AT TAP 1 (k Ω)	MAXIMUM TOTAL RESISTANCE, DCP AT TAP 255 (k Ω)	STEP RESOLUTION (k Ω)	TOTAL ACCURACY FOR TAP 1	TOTAL ACCURACY FOR TAP 255
Min	8	6.742	29.106	5.495	9.786	0.021	-1.08%	-8.50%
Nom	10	6.81	29.4	5.555	10.695	0.026		
Max	12	6.878	29.694	5.615	11.541	0.031	1.08%	7.90%

There is also the ISL22317, a 1% precision, non-volatile, 128 tap DCP available with the resistance options of 10k, 50k and 100k that can be configured either as a two-terminal variable resistor or as a three-terminal potentiometer. The ISL22317 provides high accuracy, 0 Ω of wiper resistance and low temperature coefficient, eliminating the need for complex precision algorithms and other additions.

limited range, an 8-bit DCP can achieve even better resolution than a 10-bit DAC. The DCP resolution table as a function of terminal voltages and number of taps is shown in Table 2.

Another practical usage of the DCPs is an alternative to the DACs. In most cases when the design needs fine tuning within

TABLE 2. DCP RESOLUTION PER TAP

DIFFERENTIAL TERMINAL VOLTAGES: VH-VL	16 Taps	32 Taps	64 Taps	100 Taps	128 Taps	256 Taps	1024 Taps
	4 Bits	5 Bits	6 Bits	7 Bits	7 Bits	8 Bits	10 Bits
10V	667	323	159	101	79	39	10
9V	600	290	143	91	71	35	9
8V	533	258	127	81	63	31	8
7V	467	226	111	71	55	27	7
6V	400	194	95	61	47	24	6
5.5V	367	177	87	56	43	22	5
5V	333	161	79	51	39	20	5
4V	267	129	63	40	31	16	4
3V	200	97	48	30	24	12	2.9
2V	133	65	32	20	16	8	2.0
1V	67	32	16	10	8	3.9	1.0
0.5V	33	16	8	5	3.9	2.0	0.5

NOTE: Resolution (chart specifies LSB in mV/tap)

Notice

1. Descriptions of circuits, software and other related information in this document are provided only to illustrate the operation of semiconductor products and application examples. You are fully responsible for the incorporation or any other use of the circuits, software, and information in the design of your product or system. Renesas Electronics disclaims any and all liability for any losses and damages incurred by you or third parties arising from the use of these circuits, software, or information.
2. Renesas Electronics hereby expressly disclaims any warranties against and liability for infringement or any other claims involving patents, copyrights, or other intellectual property rights of third parties, by or arising from the use of Renesas Electronics products or technical information described in this document, including but not limited to, the product data, drawings, charts, programs, algorithms, and application examples.
3. No license, express, implied or otherwise, is granted hereby under any patents, copyrights or other intellectual property rights of Renesas Electronics or others.
4. You shall not alter, modify, copy, or reverse engineer any Renesas Electronics product, whether in whole or in part. Renesas Electronics disclaims any and all liability for any losses or damages incurred by you or third parties arising from such alteration, modification, copying or reverse engineering.
5. Renesas Electronics products are classified according to the following two quality grades: "Standard" and "High Quality". The intended applications for each Renesas Electronics product depends on the product's quality grade, as indicated below.
"Standard": Computers; office equipment; communications equipment; test and measurement equipment; audio and visual equipment; home electronic appliances; machine tools; personal electronic equipment; industrial robots; etc.
"High Quality": Transportation equipment (automobiles, trains, ships, etc.); traffic control (traffic lights); large-scale communication equipment; key financial terminal systems; safety control equipment; etc.
Unless expressly designated as a high reliability product or a product for harsh environments in a Renesas Electronics data sheet or other Renesas Electronics document, Renesas Electronics products are not intended or authorized for use in products or systems that may pose a direct threat to human life or bodily injury (artificial life support devices or systems; surgical implantations; etc.), or may cause serious property damage (space system; undersea repeaters; nuclear power control systems; aircraft control systems; key plant systems; military equipment; etc.). Renesas Electronics disclaims any and all liability for any damages or losses incurred by you or any third parties arising from the use of any Renesas Electronics product that is inconsistent with any Renesas Electronics data sheet, user's manual or other Renesas Electronics document.
6. When using Renesas Electronics products, refer to the latest product information (data sheets, user's manuals, application notes, "General Notes for Handling and Using Semiconductor Devices" in the reliability handbook, etc.), and ensure that usage conditions are within the ranges specified by Renesas Electronics with respect to maximum ratings, operating power supply voltage range, heat dissipation characteristics, installation, etc. Renesas Electronics disclaims any and all liability for any malfunctions, failure or accident arising out of the use of Renesas Electronics products outside of such specified ranges.
7. Although Renesas Electronics endeavors to improve the quality and reliability of Renesas Electronics products, semiconductor products have specific characteristics, such as the occurrence of failure at a certain rate and malfunctions under certain use conditions. Unless designated as a high reliability product or a product for harsh environments in a Renesas Electronics data sheet or other Renesas Electronics document, Renesas Electronics products are not subject to radiation resistance design. You are responsible for implementing safety measures to guard against the possibility of bodily injury, injury or damage caused by fire, and/or danger to the public in the event of a failure or malfunction of Renesas Electronics products, such as safety design for hardware and software, including but not limited to redundancy, fire control and malfunction prevention, appropriate treatment for aging degradation or any other appropriate measures. Because the evaluation of microcomputer software alone is very difficult and impractical, you are responsible for evaluating the safety of the final products or systems manufactured by you.
8. Please contact a Renesas Electronics sales office for details as to environmental matters such as the environmental compatibility of each Renesas Electronics product. You are responsible for carefully and sufficiently investigating applicable laws and regulations that regulate the inclusion or use of controlled substances, including without limitation, the EU RoHS Directive, and using Renesas Electronics products in compliance with all these applicable laws and regulations. Renesas Electronics disclaims any and all liability for damages or losses occurring as a result of your noncompliance with applicable laws and regulations.
9. Renesas Electronics products and technologies shall not be used for or incorporated into any products or systems whose manufacture, use, or sale is prohibited under any applicable domestic or foreign laws or regulations. You shall comply with any applicable export control laws and regulations promulgated and administered by the governments of any countries asserting jurisdiction over the parties or transactions.
10. It is the responsibility of the buyer or distributor of Renesas Electronics products, or any other party who distributes, disposes of, or otherwise sells or transfers the product to a third party, to notify such third party in advance of the contents and conditions set forth in this document.
11. This document shall not be reprinted, reproduced or duplicated in any form, in whole or in part, without prior written consent of Renesas Electronics.
12. Please contact a Renesas Electronics sales office if you have any questions regarding the information contained in this document or Renesas Electronics products.
(Note 1) "Renesas Electronics" as used in this document means Renesas Electronics Corporation and also includes its directly or indirectly controlled subsidiaries.
(Note 2) "Renesas Electronics product(s)" means any product developed or manufactured by or for Renesas Electronics.

(Rev.4.0-1 November 2017)



SALES OFFICES

Renesas Electronics Corporation

<http://www.renesas.com>

Refer to "<http://www.renesas.com/>" for the latest and detailed information.

Renesas Electronics America Inc.

1001 Murphy Ranch Road, Milpitas, CA 95035, U.S.A.
Tel: +1-408-432-8888, Fax: +1-408-434-5351

Renesas Electronics Canada Limited

9251 Yonge Street, Suite 8309 Richmond Hill, Ontario Canada L4C 9T3
Tel: +1-905-237-2004

Renesas Electronics Europe Limited

Dukes Meadow, Millboard Road, Bourne End, Buckinghamshire, SL8 5FH, U.K
Tel: +44-1628-651-700, Fax: +44-1628-651-804

Renesas Electronics Europe GmbH

Arcadiastrasse 10, 40472 Düsseldorf, Germany
Tel: +49-211-6503-0, Fax: +49-211-6503-1327

Renesas Electronics (China) Co., Ltd.

Room 1709 Quantum Plaza, No.27 ZhichunLu, Haidian District, Beijing, 100191 P. R. China
Tel: +86-10-8235-1155, Fax: +86-10-8235-7679

Renesas Electronics (Shanghai) Co., Ltd.

Unit 301, Tower A, Central Towers, 555 Langao Road, Putuo District, Shanghai, 200333 P. R. China
Tel: +86-21-2226-0888, Fax: +86-21-2226-0999

Renesas Electronics Hong Kong Limited

Unit 1601-1611, 16/F., Tower 2, Grand Century Place, 193 Prince Edward Road West, Mongkok, Kowloon, Hong Kong
Tel: +852-2265-6688, Fax: +852 2886-9022

Renesas Electronics Taiwan Co., Ltd.

13F, No. 363, Fu Shing North Road, Taipei 10543, Taiwan
Tel: +886-2-8175-9600, Fax: +886 2-8175-9670

Renesas Electronics Singapore Pte. Ltd.

80 Bendemeer Road, Unit #06-02 Hyflux Innovation Centre, Singapore 339949
Tel: +65-6213-0200, Fax: +65-6213-0300

Renesas Electronics Malaysia Sdn.Bhd.

Unit 1207, Block B, Menara Amcorp, Amcorp Trade Centre, No. 18, Jln Persiaran Barat, 46050 Petaling Jaya, Selangor Darul Ehsan, Malaysia
Tel: +60-3-7955-9390, Fax: +60-3-7955-9510

Renesas Electronics India Pvt. Ltd.

No.777C, 100 Feet Road, HAL 2nd Stage, Indiranagar, Bangalore 560 038, India
Tel: +91-80-67208700, Fax: +91-80-67208777

Renesas Electronics Korea Co., Ltd.

17F, KAMCO Yangjae Tower, 262, Gangnam-daero, Gangnam-gu, Seoul, 06265 Korea
Tel: +82-2-558-3737, Fax: +82-2-558-5338