

ISL97656 SEPIC for 3V_{IN} to 12V_{IN} to 3.3V_{OUT} at 1A Application

Introduction

There are several applications where one needs to generate a constant output voltage which is right in the middle of the input voltage range. This circuit can easily be implemented by using any boost regulator, as long as it can handle the input voltage range, and the output load current configured in a SEPIC (Single Ended Primary Inductively Coupled) configuration. The SEPIC circuit in Figure 1 is designed for a raid disk application to generate a constant 3.3V_{out} to provide power to an FPGA, white LED driver, and EEPROM from an input voltage source that ranges from 3V to 12V by using ISL97656. The ISL97656 is a selectable 640kHz, or 1.2MHz constant switching frequency, high efficiency boost regulator for 2.3V_{IN} to 5.5V_{IN} applications. It has an internal 120mΩ, 4A power switch which allows over 90% efficiency and has an external compensation pin which allows ceramic capacitors on the output.

Since the input voltage range on the ISL97656 is from 2.3V to 5.5V and the system applications requires input to vary from 3V to 12V, a discrete bias supply is created by using D₂ (3.1V zener) and R₁ (100Ω). This bias supply is only used for start-up, and gets disconnected when the ISL97656 starts regulating 3.3V on the output. When there is no output voltage, Q₁ is off, Q₂ and Q₃ are on, hence, D₂ zener diode

generates approximately 3.1V, which supplies input power to the chip. Once the external soft-start capacitor times out, the ISL97656 starts switching at 1.2MHz since the “Freq” pin is grounded and starts regulating 3.3V on the output. At this time, output turns on Q₁ which turns-off Q₂ and Q₃, turning D₂ zener diode off. At this point, the ISL97656 is powered from the output through D₃, Schottky diode. The purpose of disconnecting the zener diode from the circuit by using Q₁, Q₂ and Q₃, is to prevent excessive power loss when the input voltage is 12V. This power loss across the zener diode will translate into poor SEPIC efficiency at load currents of less than 200mA. If output efficiency is not a major concern, then remove R₅, R₆, R₇, Q₁, Q₂, and Q₃ and connect the top side of R₁ directly to the input supply. The bill of material for this evaluation board is listed in Table 1, and the front and back side of this evaluation board is shown in Figures 2 and 3.

Figure 4 shows the ISL97656 efficiency from 12V_{IN}, and Figure 5 from 3V_{IN}. It can be seen that the ISL97656 SEPIC circuit is 80+% efficient from 12V_{IN} vs. about 75% from 3V_{IN}. Figure 6 shows the output voltage ripple of 71mV at 0.7A of load current. The output voltage ripple is about 2% and can be further reduced by adding another output capacitor in parallel.

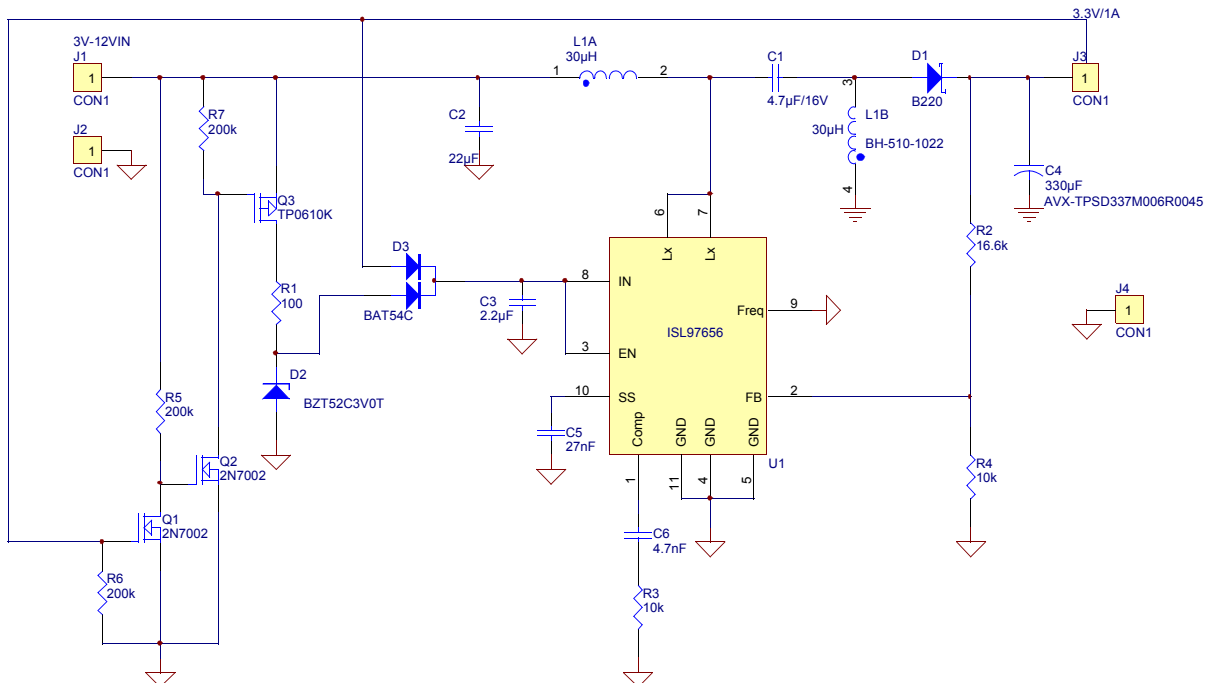


FIGURE 1. ISL97656 SEPIC SCHEMATIC FOR 3V to 12V_{IN} TO 3.3V_{OUT} AT 1A

TABLE 1. ISL97656 SEPIC BILL OF MATERIAL

PART TYPE	DESIGNATOR
2.2 μ F	C3
4.7 μ F/16V	C1
2N7002	Q1
TPK0610K	Q3
2N7002	Q2
10k	R3
4.7nF	C6
10K	R4
16.6k	R2
22 μ F	C2
27nF	C5
100	R1
200k	R6
200k	R7
200k	R5
330 μ F	C4
B220	D1
BAT54C	D3
BZT52C3V0T	D2
BH Elect, 510-1022	L1A/B
U1	ISL97656

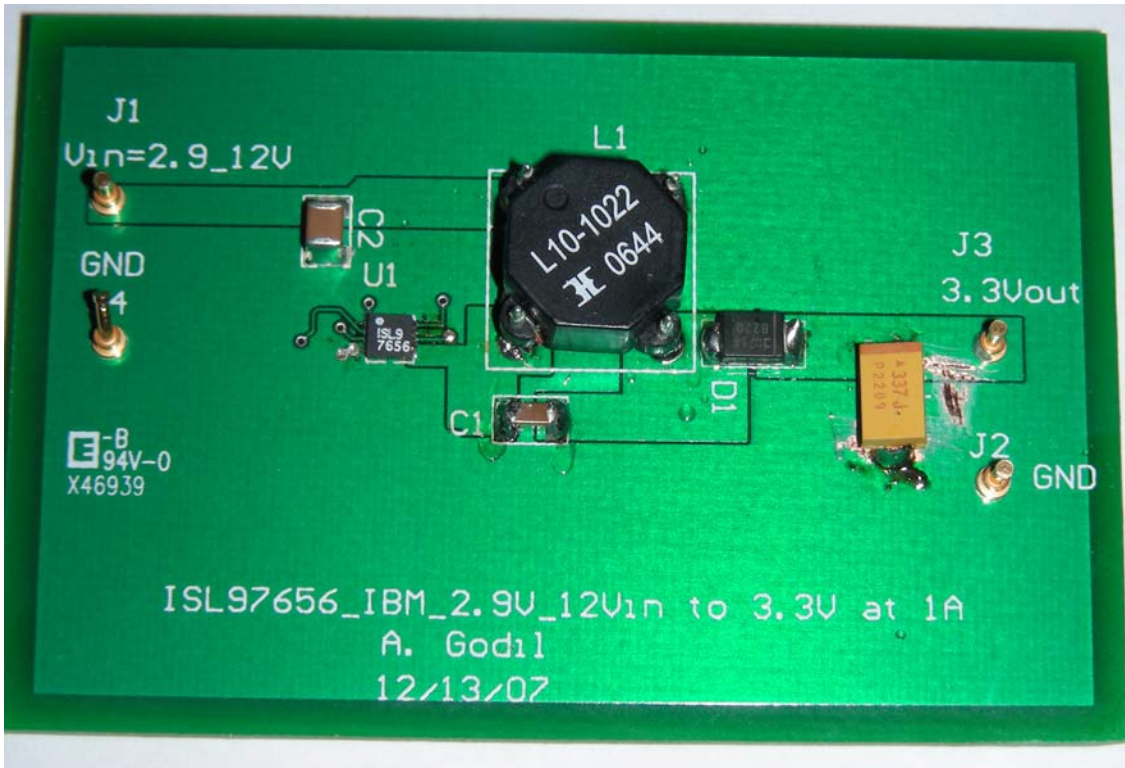


FIGURE 2. ISL97656 SEPIC TEST BOARD – FRONT SIDE

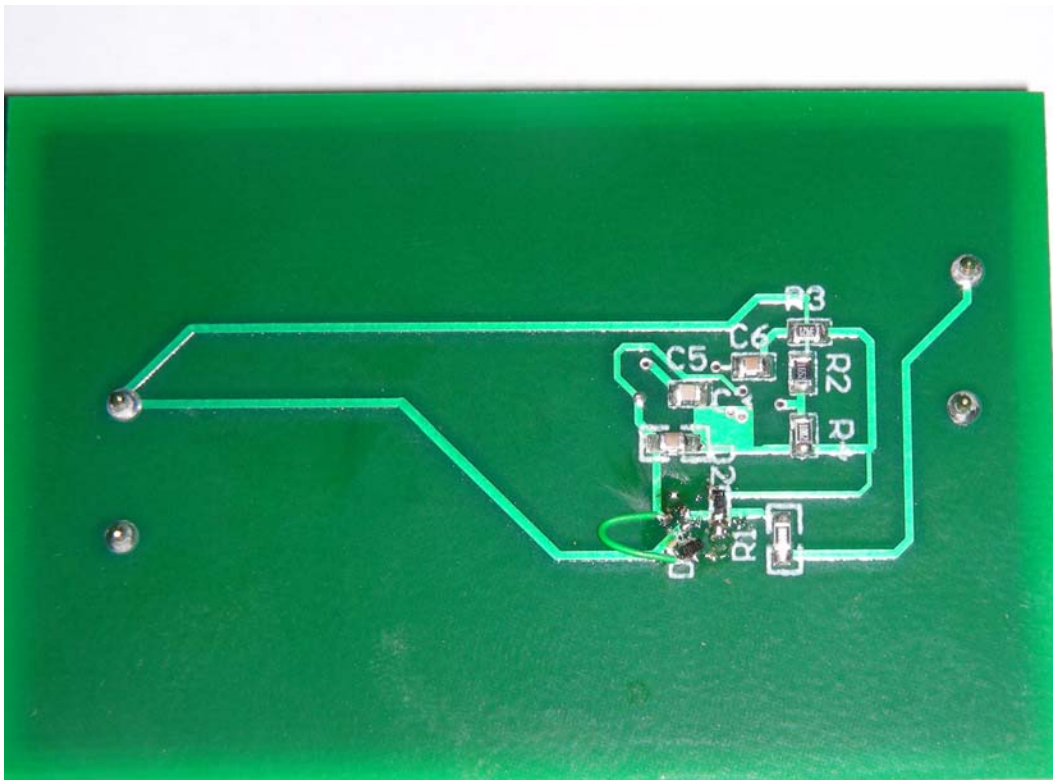


FIGURE 3. ISL97656 SEPIC TEST BOARD – BACK SIDE

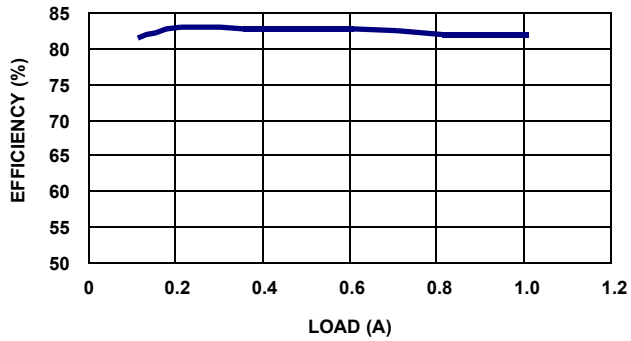


FIGURE 4. ISL97656 SEPIC BOARD EFFICIENCY FROM 12V_{IN}

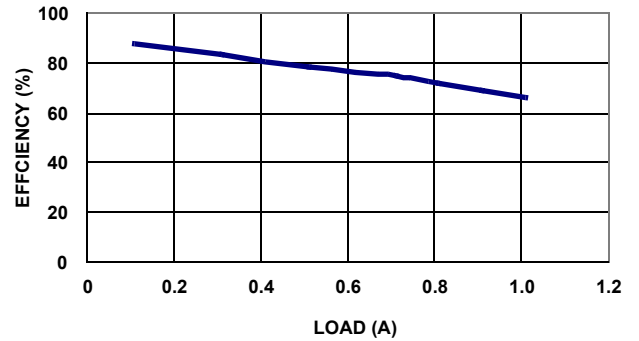


FIGURE 5. ISL97656 SEPIC BOARD EFFICIENCY FROM 3V_{IN}

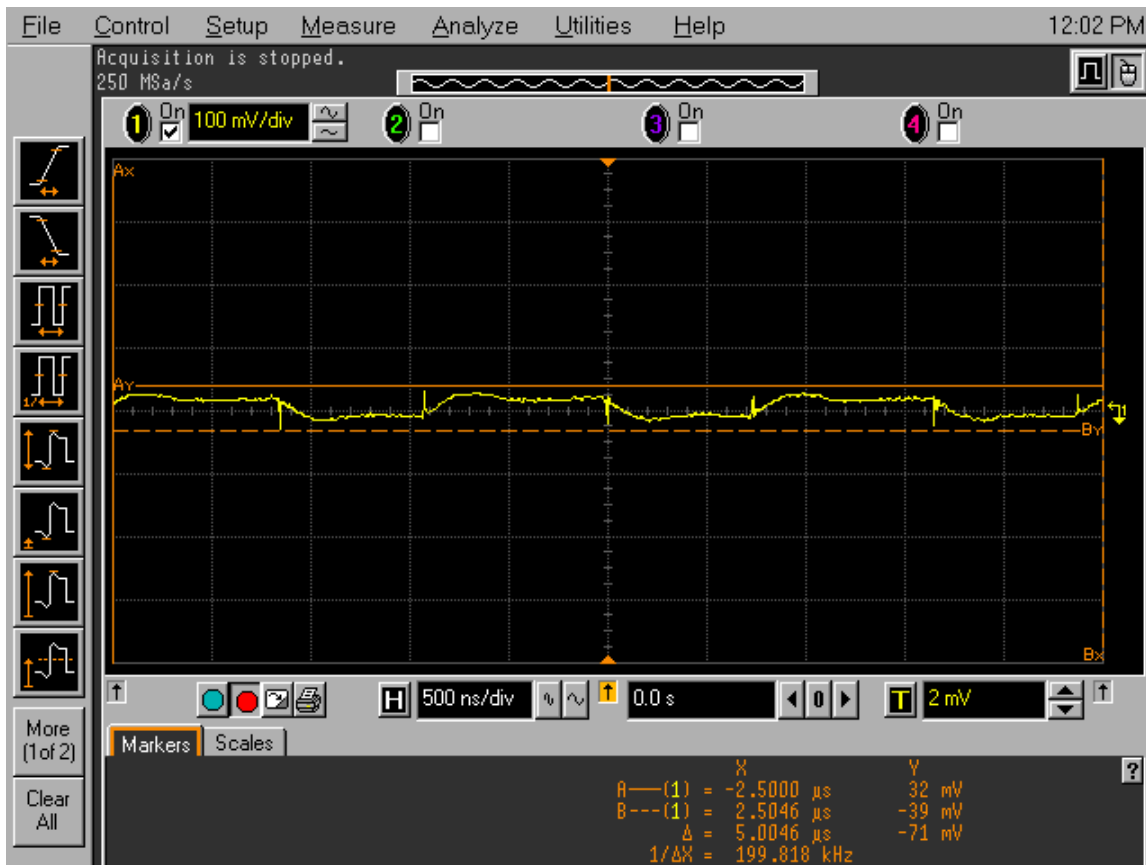


FIGURE 6. ISL97656 SEPIC BOARD OUTPUT VOLTAGE RIPPLE FOR 12V_{IN} TO 3.3V_{OUT} AT 0.7A

Notice

1. Descriptions of circuits, software and other related information in this document are provided only to illustrate the operation of semiconductor products and application examples. You are fully responsible for the incorporation or any other use of the circuits, software, and information in the design of your product or system. Renesas Electronics disclaims any and all liability for any losses and damages incurred by you or third parties arising from the use of these circuits, software, or information.
2. Renesas Electronics hereby expressly disclaims any warranties against and liability for infringement or any other claims involving patents, copyrights, or other intellectual property rights of third parties, by or arising from the use of Renesas Electronics products or technical information described in this document, including but not limited to, the product data, drawings, charts, programs, algorithms, and application examples.
3. No license, express, implied or otherwise, is granted hereby under any patents, copyrights or other intellectual property rights of Renesas Electronics or others.
4. You shall not alter, modify, copy, or reverse engineer any Renesas Electronics product, whether in whole or in part. Renesas Electronics disclaims any and all liability for any losses or damages incurred by you or third parties arising from such alteration, modification, copying or reverse engineering.
5. Renesas Electronics products are classified according to the following two quality grades: "Standard" and "High Quality". The intended applications for each Renesas Electronics product depends on the product's quality grade, as indicated below.
"Standard": Computers; office equipment; communications equipment; test and measurement equipment; audio and visual equipment; home electronic appliances; machine tools; personal electronic equipment; industrial robots; etc.
"High Quality": Transportation equipment (automobiles, trains, ships, etc.); traffic control (traffic lights); large-scale communication equipment; key financial terminal systems; safety control equipment; etc.
Unless expressly designated as a high reliability product or a product for harsh environments in a Renesas Electronics data sheet or other Renesas Electronics document, Renesas Electronics products are not intended or authorized for use in products or systems that may pose a direct threat to human life or bodily injury (artificial life support devices or systems; surgical implantations; etc.), or may cause serious property damage (space system; undersea repeaters; nuclear power control systems; aircraft control systems; key plant systems; military equipment; etc.). Renesas Electronics disclaims any and all liability for any damages or losses incurred by you or any third parties arising from the use of any Renesas Electronics product that is inconsistent with any Renesas Electronics data sheet, user's manual or other Renesas Electronics document.
6. When using Renesas Electronics products, refer to the latest product information (data sheets, user's manuals, application notes, "General Notes for Handling and Using Semiconductor Devices" in the reliability handbook, etc.), and ensure that usage conditions are within the ranges specified by Renesas Electronics with respect to maximum ratings, operating power supply voltage range, heat dissipation characteristics, installation, etc. Renesas Electronics disclaims any and all liability for any malfunctions, failure or accident arising out of the use of Renesas Electronics products outside of such specified ranges.
7. Although Renesas Electronics endeavors to improve the quality and reliability of Renesas Electronics products, semiconductor products have specific characteristics, such as the occurrence of failure at a certain rate and malfunctions under certain use conditions. Unless designated as a high reliability product or a product for harsh environments in a Renesas Electronics data sheet or other Renesas Electronics document, Renesas Electronics products are not subject to radiation resistance design. You are responsible for implementing safety measures to guard against the possibility of bodily injury, injury or damage caused by fire, and/or danger to the public in the event of a failure or malfunction of Renesas Electronics products, such as safety design for hardware and software, including but not limited to redundancy, fire control and malfunction prevention, appropriate treatment for aging degradation or any other appropriate measures. Because the evaluation of microcomputer software alone is very difficult and impractical, you are responsible for evaluating the safety of the final products or systems manufactured by you.
8. Please contact a Renesas Electronics sales office for details as to environmental matters such as the environmental compatibility of each Renesas Electronics product. You are responsible for carefully and sufficiently investigating applicable laws and regulations that regulate the inclusion or use of controlled substances, including without limitation, the EU RoHS Directive, and using Renesas Electronics products in compliance with all these applicable laws and regulations. Renesas Electronics disclaims any and all liability for damages or losses occurring as a result of your noncompliance with applicable laws and regulations.
9. Renesas Electronics products and technologies shall not be used for or incorporated into any products or systems whose manufacture, use, or sale is prohibited under any applicable domestic or foreign laws or regulations. You shall comply with any applicable export control laws and regulations promulgated and administered by the governments of any countries asserting jurisdiction over the parties or transactions.
10. It is the responsibility of the buyer or distributor of Renesas Electronics products, or any other party who distributes, disposes of, or otherwise sells or transfers the product to a third party, to notify such third party in advance of the contents and conditions set forth in this document.
11. This document shall not be reprinted, reproduced or duplicated in any form, in whole or in part, without prior written consent of Renesas Electronics.
12. Please contact a Renesas Electronics sales office if you have any questions regarding the information contained in this document or Renesas Electronics products.
(Note 1) "Renesas Electronics" as used in this document means Renesas Electronics Corporation and also includes its directly or indirectly controlled subsidiaries.
(Note 2) "Renesas Electronics product(s)" means any product developed or manufactured by or for Renesas Electronics.

(Rev.4.0-1 November 2017)



SALES OFFICES

Renesas Electronics Corporation

<http://www.renesas.com>

Refer to "<http://www.renesas.com/>" for the latest and detailed information.

Renesas Electronics America Inc.
1001 Murphy Ranch Road, Milpitas, CA 95035, U.S.A.
Tel: +1-408-432-8888, Fax: +1-408-434-5351

Renesas Electronics Canada Limited
9251 Yonge Street, Suite 8309 Richmond Hill, Ontario Canada L4C 9T3
Tel: +1-905-237-2004

Renesas Electronics Europe Limited
Dukes Meadow, Millboard Road, Bourne End, Buckinghamshire, SL8 5FH, U.K
Tel: +44-1628-651-700, Fax: +44-1628-651-804

Renesas Electronics Europe GmbH
Arcadiastrasse 10, 40472 Düsseldorf, Germany
Tel: +49-211-6503-0, Fax: +49-211-6503-1327

Renesas Electronics (China) Co., Ltd.
Room 1709 Quantum Plaza, No.27 ZhichunLu, Haidian District, Beijing, 100191 P. R. China
Tel: +86-10-8235-1155, Fax: +86-10-8235-7679

Renesas Electronics (Shanghai) Co., Ltd.
Unit 301, Tower A, Central Towers, 555 Langao Road, Putuo District, Shanghai, 200333 P. R. China
Tel: +86-21-2226-0888, Fax: +86-21-2226-0999

Renesas Electronics Hong Kong Limited
Unit 1601-1611, 16/F., Tower 2, Grand Century Place, 193 Prince Edward Road West, Mongkok, Kowloon, Hong Kong
Tel: +852-2265-6688, Fax: +852-2886-9022

Renesas Electronics Taiwan Co., Ltd.
13F, No. 363, Fu Shing North Road, Taipei 10543, Taiwan
Tel: +886-2-8175-9600, Fax: +886-2-8175-9670

Renesas Electronics Singapore Pte. Ltd.
80 Bendemeer Road, Unit #06-02 Hyflux Innovation Centre, Singapore 339949
Tel: +65-6213-0200, Fax: +65-6213-0300

Renesas Electronics Malaysia Sdn.Bhd.
Unit 1207, Block B, Menara Amcorp, Amcorp Trade Centre, No. 18, Jln Persiaran Barat, 46050 Petaling Jaya, Selangor Darul Ehsan, Malaysia
Tel: +60-3-7955-9390, Fax: +60-3-7955-9510

Renesas Electronics India Pvt. Ltd.
No.777C, 100 Feet Road, HAL 2nd Stage, Indiranagar, Bangalore 560 038, India
Tel: +91-80-67208700, Fax: +91-80-67208777

Renesas Electronics Korea Co., Ltd.
17F, KAMCO Yangjae Tower, 262, Gangnam-daero, Gangnam-gu, Seoul, 06265 Korea
Tel: +82-2-558-3737, Fax: +82-2-558-5338