

## Transmitting SXGA Video Signal through 1kft (300m) CAT-5 Cable

With the world dominance of personal computer systems, demand for long distance component video transmission is increasing at an unprecedented pace. The applications areas of greatest demand are KVM systems, server farms, information message boards and educational classrooms. This application note provides in-depth information on some of the most important physical support technologies and constraints; CAT-5 cable characteristics, SXGA video standards and video amplifier/line drivers and receiver bandwidth and slew rate requirements. The trade-offs of differential line driver and receiver topologies are discussed in detail. This application note also presents termination techniques and video equalization strategies. Further design issues involving power supply schemes and video timing transmissions are also described.

The goal of this application note is to present the most current design methods for transmitting high bandwidth SXGA video signal over long distances of CAT-5 cable (300m or more). The enormous cost benefits of CAT-5 cable will also be discussed; for instance, the average cost of a 100m of CAT-5 cable is \$20 while the average cost of a 100m of Coax Cable could easily exceed \$240. Furthermore, wiring is reduced from a bulky hard to manage bundle of 3 cables to 1 easily pulled cable. Additionally, CAT-5 cable has a 4th twisted pair available, which can be used for KVM signal, audio, timing or control signal transmission.

### SXGA Video Standard

Table 1 presents key parameters of 76Hz SXGA video signal.

The signal bandwidth comes from Equation 1:

$$BWS = 1/2[(K \cdot AR \cdot (VLT)^2 \cdot FR) \cdot (KH/KV)] = 51.9\text{MHz} \quad (\text{EQ. 1})$$

Where:

BWS = Signal bandwidth, K = Kell factor

Visual information is lost due to the probability that some of the video information will be displayed during the retrace rather than the active portion of the scan line. Assuming 30% of the visual information is loss, we have K = 0.7.

AR = Aspect ratio (the display width divided by display height) = 1.33

VLT = Total number of vertical pixels = 1067

FR = Frame rate or refresh rate = 76

KH = Ratio of total horizontal pixels to active pixels, which equals 1720/1280 = 1.34

KV = Ratio of total vertical lines to active lines = 1.04

TABLE 1. KEY PARAMETERS OF 76Hz SXGA VIDEO SIGNAL

PARAMETER	VALUE
Active Horizontal Pixels	1280
Active Vertical Pixels	1311
Total Horizontal Pixels	1720
Total Vertical Pixels (VLT)	1067
Frame Rate (FR) (Hz)	76
Horizontal Rate (KHz)	81.1
Pixel Rate (Mpixels/second)	139.5
Signal Bandwidth (BWS) (MHz)	51.9

### Amplifier Bandwidth and Slew Rate Requirements

To maintain video signal integrity, we need to maintain 0.1dB bandwidth to the signal bandwidth (BWS). When selecting amplifiers, special attention should be given to its frequency response characteristics; for instance, for a signal pole amplifier the 3dB bandwidth required to handle 51.9MHz is  $6.5 \cdot 51.9\text{MHz} = 337\text{MHz}$ . For multiple pole amplifiers (most modern high speed amplifiers are multiple pole amplifiers), the 3dB bandwidth should be set to 3 times the signal bandwidth, which for the previous example would be 155.7MHz. The slew-rate can be calculated from the signal amplitude and pixel rate. Therefore to maintain video signal integrity with a pixel rate of 139.5MHz while allowing the signal to complete its transition during  $1/4$  of a clock period, use Equation 2:

$$\text{Slew Rate} = \frac{1}{\left(\frac{1}{4} \times \text{Pixel Time}\right)} = \frac{1}{\left(\frac{1}{4} \times \frac{1}{139.5\text{MHz}}\right)} = 558\text{V}/\mu\text{s} \quad (\text{EQ. 2})$$

VESA DMT standards also define 60Hz refresh rates and 80Hz refresh rates but the most common usage is the 76Hz refresh rate.

### CAT-5 Cable Characteristics

Figure 1 shows the cross section of Standard CAT-5 cable consisting of 4 twisted pairs of AWG 24 cable, which has a characteristic impedance of 100Ω. The DC resistance is 10Ω/100m with a capacitance 4.6nF/100m. One important characteristic of SXGA video transmission is high frequency cable attenuation, which increases exponentially over frequency and distance. Figure 2 shows the effects of signal frequency and cable length on the signal attenuation. The relationship between cable attenuation, signal frequency and cable length is shown in Equation 3:

$$\text{Atten}(F, L) : L \cdot \left(1.967 \cdot \sqrt{F} + 0.023 \cdot F + \frac{0.05}{\sqrt{F}}\right) \quad (\text{EQ. 3})$$

L is cable distance in 100m and F is the signal frequency.

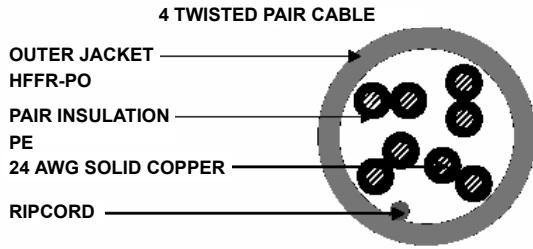


FIGURE 1. CAT-5 CABLE CROSS SECTION

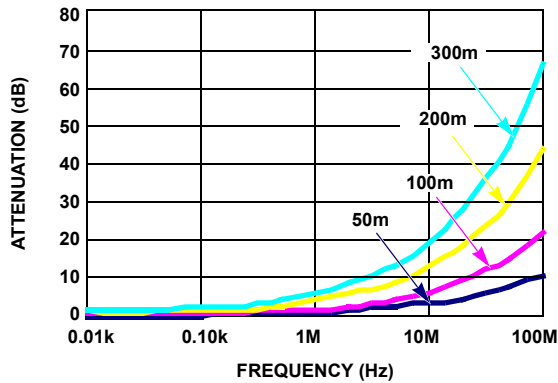


FIGURE 2. CAT-5 CABLE ATTENUATION CHARACTERISTICS

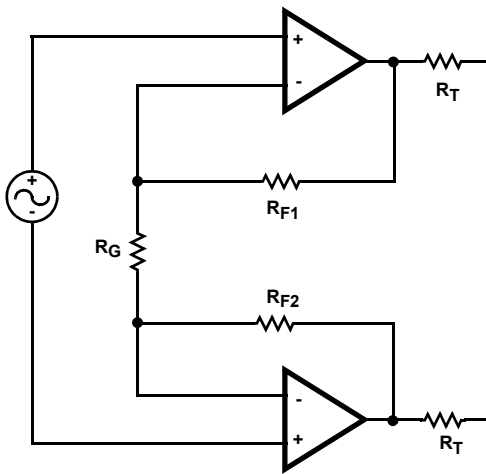


FIGURE 3. CAT-5 CABLE CROSS SECTION

### Differential Line Driver Topologies

Figure 3 illustrates a standard differential input and output line driver system built with discrete operational amplifiers. The differential output driver doubles the output voltage swing - while the resistors  $R_F$  and  $R_G$  determine the circuit voltage gain with Equation 4:

$$\frac{V_{OUT}}{V_{IN}} = 1 + 2 \frac{R_F}{R_G} \quad (\text{EQ. 4})$$

High noise rejection, such as 60Hz power line interference, is accomplished by amplifying only the differential input voltage signals and not amplifying the common mode input voltage.

The only real disadvantage of this circuit is the required differential input signal sources.

Typically, signals originate in single ended rather than differential form. Converting a single ended signal to differential mode prior to line transmission reaps the benefits of high common mode noise reduction. The circuit in Figure 4 provides a very simple way to generate a differential output signal from a single ended input signal using two operational amplifiers; the upper amplifier is non-inverting while the bottom is inverting. Note the amplifiers have different feedback ratios (close loop gain) that results in different bandwidths for voltage feedback amplifiers. The difference in bandwidth causes higher frequency signal mismatch and can lead to higher distortion. For current feedback amplifiers, the bandwidth stays relatively constant at different gain settings. Since the bandwidth is primarily a function of the value of the feedback resistors, one should keep the feedback resistor the same for current feedback amplifiers.

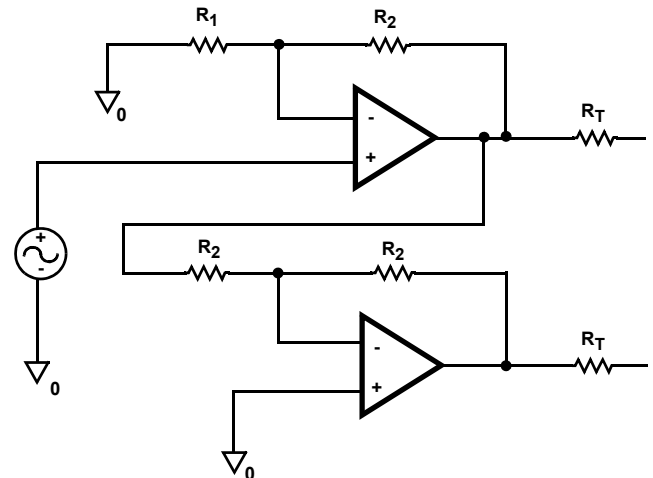


FIGURE 4. SINGLE-ENDED TO DIFFERENTIAL LINE DRIVER

Figure 5 illustrates the complete block diagram of the EL5177, a 550MHz single/differential input to differential output amplifier, which can be used as a single ended to differential converter. This device is internally compensated for a closed loop gain of +1 stable; the gain is set by  $R_F$  and  $R_G$ .  $V_{ODM}$  is the output in differential mode and  $V_{OCM}$  is the common mode output voltage.

$$V_{ODM} = (V_{IN+} - V_{IN-}) * (1 + (2R_F/R_G)) \quad (EQ. 5)$$

$$V_{OCM} = V_{REF}$$

The voltage applied at the VREF pin sets the output common mode voltage.

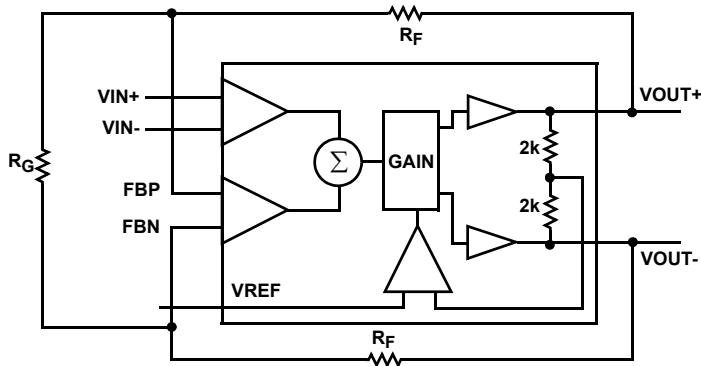


FIGURE 5. EL5177 DIFFERENTIAL TWISTED PAIR LINE DRIVER BLOCK DIAGRAM

### Differential Line Receiver Topologies

Figure 6 shows a differential to single ended converter implemented with high speed amplifiers. This circuit receives a differential voltage, reduces the common mode input gain to zero and terminates in a single ended output. The advantage is both a very high input impedance and very high common mode rejection achieved with simplicity. Bandwidth mismatch of the two amplifiers introduces the possibility of high frequency distortion. Furthermore, high output swing is required to achieve good common mode rejection. The differential gain is determined by  $R_1$  and  $R_2$  resistors with the relationship: Gain =  $1 + R_1/R_2$ .

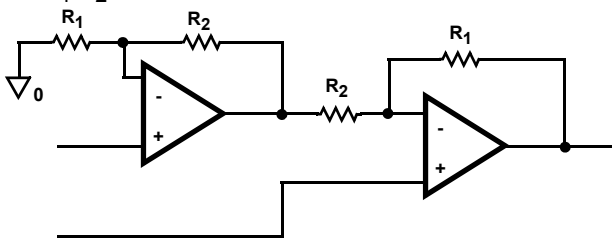


FIGURE 6. DIFFERENTIAL TO SINGLE-ENDED CONVERTER

Figure 7 shows the complete block diagram of the EL5175, a 550MHz differential input to single ended output amplifier, which can be used as a differential to single ended converter. This device is internally compensated for closed loop gain of +1 stable and the gain is set by  $R_F$  and  $R_G$ . The output voltage is equal to the difference of the inputs plus  $V_{REF}$  and then multiplied by the gain.

$$V_{ODM} = (V_{IN+} - V_{IN-} + V_{REF}) * (1 + (R_F/R_G)) \quad (EQ. 6)$$

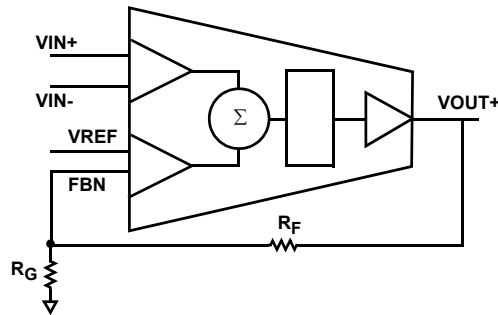


FIGURE 7. EL5175 DIFFERENTIAL TO SINGLE-ENDED AMPLIFIER BLOCK DIAGRAM

### Termination Techniques

To avoid reflections and maintain integrity of the input video signals, the line driver output must be properly terminated. The characteristic impedance of a standard CAT-5 cable is 100Ω which is split into two 50Ω resistors for driving the line differentially. Figures 8 and 9 show the termination scheme on the driver and receiver sides.  $C_1$  and  $R_T$  of the receiver form a low pass filter to reject high frequency common noise picked-up by the cable.  $C_2$  is used to isolate the DC voltage difference caused by grounding inequalities between the driver and receiver systems.  $R_B$  sets up the bias voltage for the receiving amplifiers. The BW of the high pass filter formed by  $R_B$  and  $C_2$  must be low enough to pass all the video signals. For SXGA video signals, the low pass band must be less than 20Hz. A small resistor  $R_S$  is placed to isolate the input capacitance of the receiver from the PCB trace inductance to avoid LC resonance effect at the receiving amplifier inputs.

Some video systems do not have a negative supply available and require single supply operation. Figure 9 shows a simple implementation of single supply operation. The video signal is AC coupled into the driver inputs and the input DC bias is setup by  $R_1$  and  $R_2$  resistors from a bias voltage. The output is centered around the bias voltage, which should be set to 1/2 the supply voltage. AC coupling may be needed to avoid a DC voltage presence on the line. At the receiver, the incoming video signal is first terminated into two 50Ω resistors. The center tap of these resistors is AC coupled to ground to eliminate high frequency common mode noise pickup by the cable. The signal is once again AC coupled into the input in the same fashion as the single supply differential line driver.

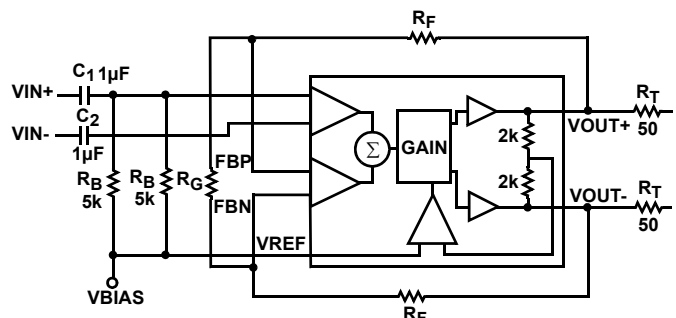


FIGURE 8. CAT-5 CABLE TERMINATION SCHEME (DRIVER SIDE)

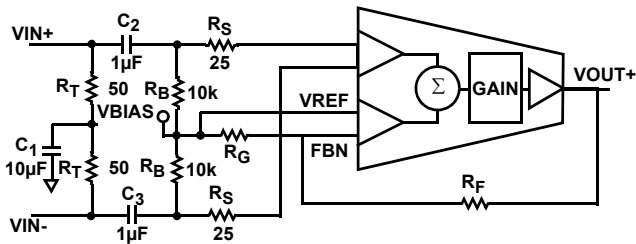


FIGURE 9. CAT-5 CABLE TERMINATION SCHEME  
(RECEIVER SIDE)

## Video Equalization Strategies Pre-equalization vs Post-equalization

Figure 11 shows a very simple method of pre-equalizing the line with the inclusion of a parallel 1.6nF capacitor with the termination resistor. The 1.6nF capacitor shorts out the 50Ω termination resistor at high frequencies and allows a larger amount of high frequency signal on the line. The 1.6nF capacitor in parallel with 50Ω termination resistor is a single pole high pass filter with 3dB zero at 2MHz. The maximum achievable gain at high frequency is limited to 6dB because the termination resistor is shorted and all the signal is realized on the line. In this scheme, cable parasitic capacitance appears at the amplifier output and can lead to oscillation.

Figure 10 shows a 3-pole compensation circuit using a 1GHz bandwidth high slew rate amplifier. The circuit is configured around the gain setting resistor that sets the poles at 1.2MHz, 15MHz and 100MHz respectively. The amount of high frequency compensation is determined by the gain setting resistor. The capacitor and resistor combinations set the pole frequencies. Theoretically, this circuit can be used for both pre-equalization and post-equalization. In practice, the line driver slew rate and output swing limit the pre-equalization performance; for instance, a 1V, 60MHz input signal becomes a 12.6V, 60MHz signal at the line driver output, requiring an approximately 5kV/µs slew rate. The slew rate of the EL5166 is 5.5kV/µs with a maximum supply voltage of 12V and its maximum output swing is 8V. Most modern high speed amplifiers are built on less than 12V processes. This circuit should always be implemented in a post-equalization configuration where the incoming high frequency signal is low in amplitude.

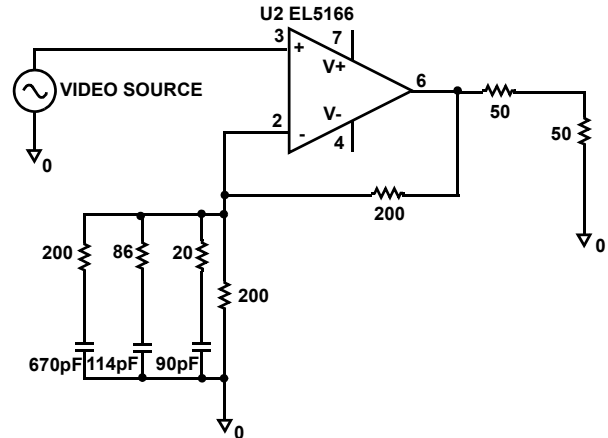


FIGURE 10. 3-POLE PRE-EQUALIZATION SCHEME

Figure 12 shows a simplified block diagram of the EL9110, a differential line receiver with an integrated CAT-5 cable compensation network. The differential input signal is used to recover the common mode input signal, which after recovery is amplified and buffered to the output at CM<sub>OUT</sub>. The differential input signal is buffered to drive the LOW FREQ BOOST amplifier. The high frequency components are processed in a proprietary EQUALIZING BOOST amplifier while the frequency response of this amplifier is voltage-controllable and matches cable losses. The control voltage input is the high frequency gain boost control, CTRLREF is the reference for the control voltage. The differential signals are summed and amplified further by the variable gain (CONTRAST) amplifier. The signal level adjustment is accomplished by switching the gain with a digital control X2- of the following amplifier "X2/X1". The logic input has its own reference LOGICREF. Finally, the differential signal is converted to a single ended signal and comes out of the VOUT pin. The output signal is referenced to the 0V input pin. For power economy, the entire chip can be turned off with the ENBL pin.

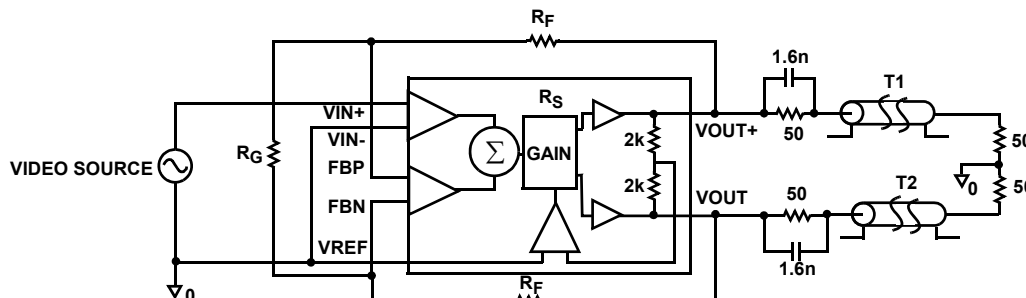


FIGURE 11. SINGLE POLE PRE-EQUALIZATION SCHEME

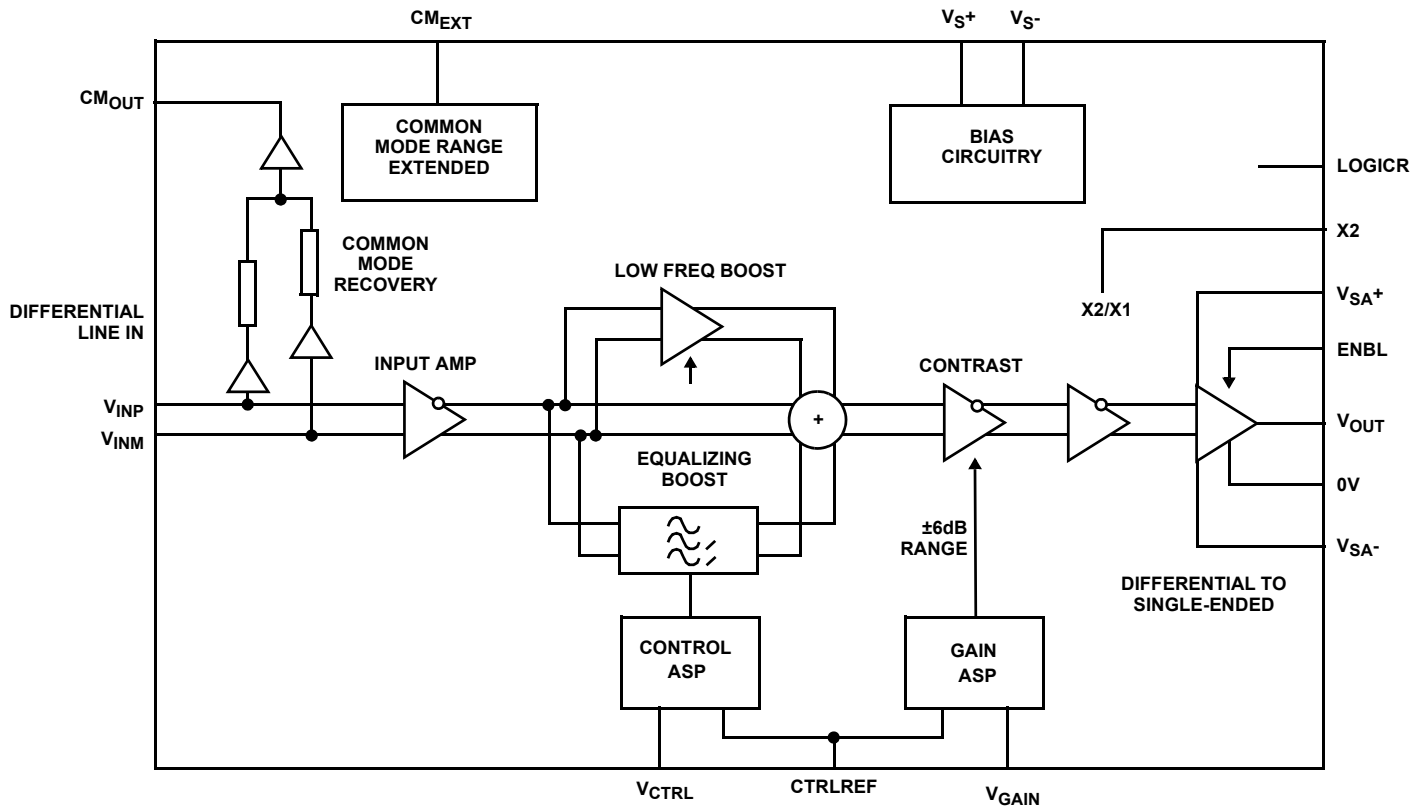


FIGURE 12. EL9110 DIFFERENTIAL LINE RECEIVER WITH CAT-5 CABLE COMPENSATION

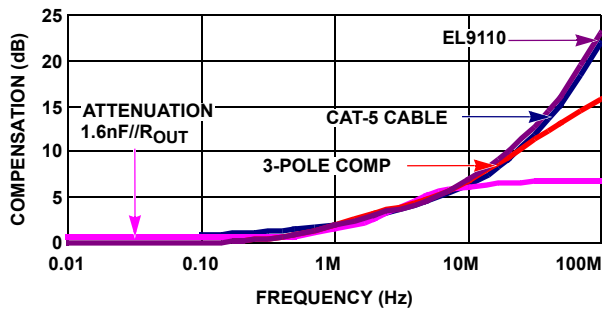


FIGURE 13. 100m CAT-5 CABLE ATTENUATION AND COMPENSATION

Figure 13 shows 100m CAT-5 cable attenuations characteristics and the frequency responses of the 3 cable compensation circuits. The  $1.6\text{pF}/R_{\text{OUT}}$  compensation circuit works well up to 10MHz. The frequency response of the 3-pole compensation circuit comes very close to matching the CAT-5 cable attenuation. EL9110  $V_{\text{GAIN}}$  is set to 0.24V for 100m CAT-5 cable, the EL9110 compensates perfectly for signal frequencies up to 100MHz.

### Video Sync/Timing Transmission

As described earlier, the standard SXGA video consists of 5 signals; RGB video signals, vertical and horizontal sync signals. Standard CAT-5 cable has 4 pairs of twisted wires. To pass all 5 SXGA signals, one can encode the vertical and horizontal signs into a composite sync signal by using the

Super Sync Separator EL4511. The composite video signal can then be transmitted through the fourth twisted wire pair of CAT-5 cable. The EL1883 can be used on the receive side to separate horizontal and vertical sync signals from composite sync input signals.

In cases where the fourth twisted wire pair is not available because it is being used to pass KVM or other signals, the EL4543 is capable of encoding the H<sub>SYNC</sub> and V<sub>SYNC</sub> on the common mode of the video signal. The EL4543 block diagram is shown in Figure 14. The V<sub>SYNC</sub> and H<sub>SYNC</sub> inputs and the common mode outputs of the EL4543 are shown in Figure 15. The relationship between H<sub>SYNC</sub>, V<sub>SYNC</sub> and the Common Mode Outputs is shown in Equations 7, 8 and 9:

$$V_{\text{cm-a}} = V_{\text{SYNC}} - H_{\text{SYNC}} \quad (\text{EQ. 7})$$

$$V_{\text{cm-b}} = -2 \cdot V_{\text{SYNC}} \quad (\text{EQ. 8})$$

$$V_{\text{cm-c}} = V_{\text{SYNC}} + H_{\text{SYNC}} \quad (\text{EQ. 9})$$

It is clearly shown that the sum of the common mode voltages results in some finite DC level with no AC content. This eliminates EMI radiation into any common mode signal along the CAT-5 cable. H<sub>SYNC</sub> and V<sub>SYNC</sub> can be regenerated from the voltage differences in the common mode voltages.

The circuit in Figure 16 accepts and decodes Common Mode signals to regenerate H<sub>SYNC</sub> and V<sub>SYNC</sub> waveforms at their respective outputs. The Common Mode Channel-B signal is

passed through an inverting comparator and level shifted 2.5V to generate  $V_{SYNC}$ . The Common Mode Channel-A signal is level shifted, inverted and summed with a level shifted Channel-C signal to generate  $H_{SYNC}$ .

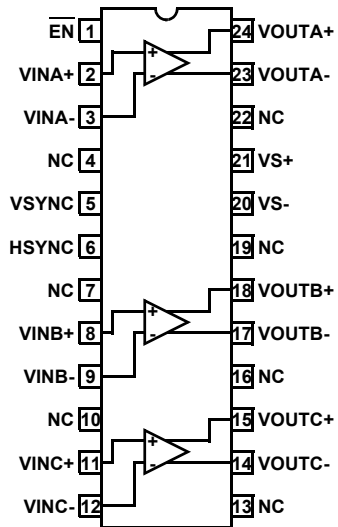


FIGURE 14. EL4543 TRIPLE DIFFERENTIAL LINE DRIVER WITH  $H_{SYNC}$  AND  $V_{SYNC}$  ENCODER

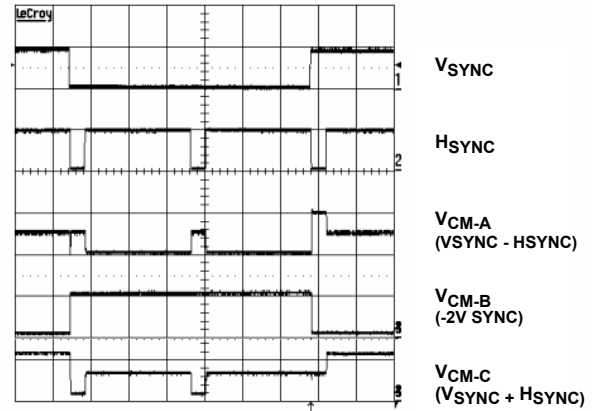


FIGURE 15. EL4543 TEST RESULTS

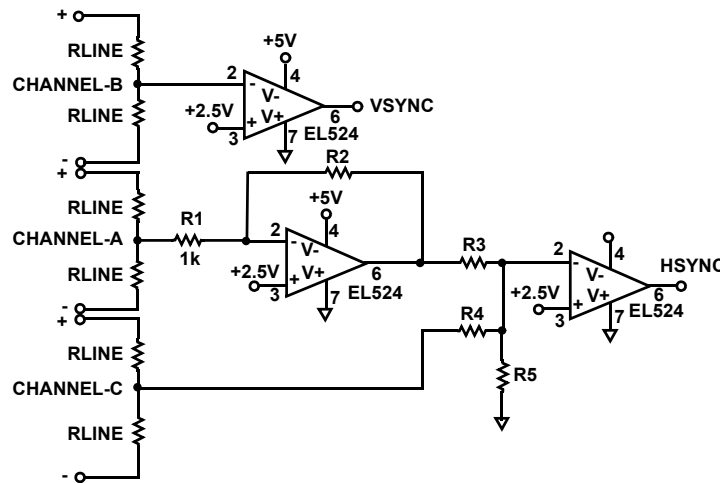


FIGURE 16. EL4543 SYNC ENCODER

## Notice

1. Descriptions of circuits, software and other related information in this document are provided only to illustrate the operation of semiconductor products and application examples. You are fully responsible for the incorporation or any other use of the circuits, software, and information in the design of your product or system. Renesas Electronics disclaims any and all liability for any losses and damages incurred by you or third parties arising from the use of these circuits, software, or information.
2. Renesas Electronics hereby expressly disclaims any warranties against and liability for infringement or any other claims involving patents, copyrights, or other intellectual property rights of third parties, by or arising from the use of Renesas Electronics products or technical information described in this document, including but not limited to, the product data, drawings, charts, programs, algorithms, and application examples.
3. No license, express, implied or otherwise, is granted hereby under any patents, copyrights or other intellectual property rights of Renesas Electronics or others.
4. You shall not alter, modify, copy, or reverse engineer any Renesas Electronics product, whether in whole or in part. Renesas Electronics disclaims any and all liability for any losses or damages incurred by you or third parties arising from such alteration, modification, copying or reverse engineering.
5. Renesas Electronics products are classified according to the following two quality grades: "Standard" and "High Quality". The intended applications for each Renesas Electronics product depends on the product's quality grade, as indicated below.  
"Standard": Computers; office equipment; communications equipment; test and measurement equipment; audio and visual equipment; home electronic appliances; machine tools; personal electronic equipment; industrial robots; etc.  
"High Quality": Transportation equipment (automobiles, trains, ships, etc.); traffic control (traffic lights); large-scale communication equipment; key financial terminal systems; safety control equipment; etc.  
Unless expressly designated as a high reliability product or a product for harsh environments in a Renesas Electronics data sheet or other Renesas Electronics document, Renesas Electronics products are not intended or authorized for use in products or systems that may pose a direct threat to human life or bodily injury (artificial life support devices or systems; surgical implantations; etc.), or may cause serious property damage (space system; undersea repeaters; nuclear power control systems; aircraft control systems; key plant systems; military equipment; etc.). Renesas Electronics disclaims any and all liability for any damages or losses incurred by you or any third parties arising from the use of any Renesas Electronics product that is inconsistent with any Renesas Electronics data sheet, user's manual or other Renesas Electronics document.
6. When using Renesas Electronics products, refer to the latest product information (data sheets, user's manuals, application notes, "General Notes for Handling and Using Semiconductor Devices" in the reliability handbook, etc.), and ensure that usage conditions are within the ranges specified by Renesas Electronics with respect to maximum ratings, operating power supply voltage range, heat dissipation characteristics, installation, etc. Renesas Electronics disclaims any and all liability for any malfunctions, failure or accident arising out of the use of Renesas Electronics products outside of such specified ranges.
7. Although Renesas Electronics endeavors to improve the quality and reliability of Renesas Electronics products, semiconductor products have specific characteristics, such as the occurrence of failure at a certain rate and malfunctions under certain use conditions. Unless designated as a high reliability product or a product for harsh environments in a Renesas Electronics data sheet or other Renesas Electronics document, Renesas Electronics products are not subject to radiation resistance design. You are responsible for implementing safety measures to guard against the possibility of bodily injury, injury or damage caused by fire, and/or danger to the public in the event of a failure or malfunction of Renesas Electronics products, such as safety design for hardware and software, including but not limited to redundancy, fire control and malfunction prevention, appropriate treatment for aging degradation or any other appropriate measures. Because the evaluation of microcomputer software alone is very difficult and impractical, you are responsible for evaluating the safety of the final products or systems manufactured by you.
8. Please contact a Renesas Electronics sales office for details as to environmental matters such as the environmental compatibility of each Renesas Electronics product. You are responsible for carefully and sufficiently investigating applicable laws and regulations that regulate the inclusion or use of controlled substances, including without limitation, the EU RoHS Directive, and using Renesas Electronics products in compliance with all these applicable laws and regulations. Renesas Electronics disclaims any and all liability for damages or losses occurring as a result of your noncompliance with applicable laws and regulations.
9. Renesas Electronics products and technologies shall not be used for or incorporated into any products or systems whose manufacture, use, or sale is prohibited under any applicable domestic or foreign laws or regulations. You shall comply with any applicable export control laws and regulations promulgated and administered by the governments of any countries asserting jurisdiction over the parties or transactions.
10. It is the responsibility of the buyer or distributor of Renesas Electronics products, or any other party who distributes, disposes of, or otherwise sells or transfers the product to a third party, to notify such third party in advance of the contents and conditions set forth in this document.
11. This document shall not be reprinted, reproduced or duplicated in any form, in whole or in part, without prior written consent of Renesas Electronics.
12. Please contact a Renesas Electronics sales office if you have any questions regarding the information contained in this document or Renesas Electronics products.  
(Note 1) "Renesas Electronics" as used in this document means Renesas Electronics Corporation and also includes its directly or indirectly controlled subsidiaries.  
(Note 2) "Renesas Electronics product(s)" means any product developed or manufactured by or for Renesas Electronics.

(Rev.4.0-1 November 2017)



### SALES OFFICES

Renesas Electronics Corporation

<http://www.renesas.com>

Refer to "<http://www.renesas.com/>" for the latest and detailed information.

**Renesas Electronics America Inc.**  
1001 Murphy Ranch Road, Milpitas, CA 95035, U.S.A.  
Tel: +1-408-432-8888, Fax: +1-408-434-5351

**Renesas Electronics Canada Limited**  
9251 Yonge Street, Suite 8309 Richmond Hill, Ontario Canada L4C 9T3  
Tel: +1-905-237-2004

**Renesas Electronics Europe Limited**  
Dukes Meadow, Millboard Road, Bourne End, Buckinghamshire, SL8 5FH, U.K  
Tel: +44-1628-651-700, Fax: +44-1628-651-804

**Renesas Electronics Europe GmbH**  
Arcadiastrasse 10, 40472 Düsseldorf, Germany  
Tel: +49-211-6503-0, Fax: +49-211-6503-1327

**Renesas Electronics (China) Co., Ltd.**  
Room 1709 Quantum Plaza, No.27 ZhichunLu, Haidian District, Beijing, 100191 P. R. China  
Tel: +86-10-8235-1155, Fax: +86-10-8235-7679

**Renesas Electronics (Shanghai) Co., Ltd.**  
Unit 301, Tower A, Central Towers, 555 Langao Road, Putuo District, Shanghai, 200333 P. R. China  
Tel: +86-21-2226-0888, Fax: +86-21-2226-0999

**Renesas Electronics Hong Kong Limited**  
Unit 1601-1611, 16/F., Tower 2, Grand Century Place, 193 Prince Edward Road West, Mongkok, Kowloon, Hong Kong  
Tel: +852-2265-6688, Fax: +852-2886-9022

**Renesas Electronics Taiwan Co., Ltd.**  
13F, No. 363, Fu Shing North Road, Taipei 10543, Taiwan  
Tel: +886-2-8175-9600, Fax: +886-2-8175-9670

**Renesas Electronics Singapore Pte. Ltd.**  
80 Bendemeer Road, Unit #06-02 Hyflux Innovation Centre, Singapore 339949  
Tel: +65-6213-0200, Fax: +65-6213-0300

**Renesas Electronics Malaysia Sdn.Bhd.**  
Unit 1207, Block B, Menara Amcorp, Amcorp Trade Centre, No. 18, Jln Persiaran Barat, 46050 Petaling Jaya, Selangor Darul Ehsan, Malaysia  
Tel: +60-3-7955-9390, Fax: +60-3-7955-9510

**Renesas Electronics India Pvt. Ltd.**  
No.777C, 100 Feet Road, HAL 2nd Stage, Indiranagar, Bangalore 560 038, India  
Tel: +91-80-67208700, Fax: +91-80-67208777

**Renesas Electronics Korea Co., Ltd.**  
17F, KAMCO Yangjae Tower, 262, Gangnam-daero, Gangnam-gu, Seoul, 06265 Korea  
Tel: +82-2-558-3737, Fax: +82-2-558-5338