

A Practical Multiplexer Application

Figure 1 illustrates a practical data acquisition system hookup using an analog multiplexer, a monolithic sample-and-hold and an A/D converter. The HA-242X and HA-53XX sample-and-holds are particularly good choices for this type application because they eliminate the need for a separate high impedance, high slew rate buffer amplifier. Their acquisition time is consistent with CMOS multiplexer settling times and most available A/D conversion times. Errors, after initial adjustment, are consistent with up to 12 bit absolute accuracy over a wide temperature range.

A. Accuracy

DC error sources include:

1. Multiplexer:
 - a. input offset = $R_{SOURCE} \times I_{S(OFF)}$
 - b. output offset = $R_{(ON)} \times [D_{(ON)} + I_{bias (S/H)}]$
2. Sample-and-Hold
 - a. input offset voltage
 - b. charge injection; sample-to-hold offset
 - c. gain error during "hold"
 - d. drift during hold

3. A/D converter:
 - a. linearity
 - b. gain drift
 - c. offset drift

Items 1(a) and (b), and 2(d) become significant only at very high temperatures. 2(a) and (b) are initially adjusted out with the offset adjustment pot on the S/H. 2(c) is usually adjusted out by A/D gain adjustment, but could also be removed by a voltage divider feedback on the S/H to give a slightly greater than unity gain during "sample". After initial adjustments, typical S/H errors are less than 0.5mV over 0°C to +75°C. Note that after adjustment, there may be an appreciable offset at the S/H output when switching from sample to hold. This is not a problem, since accuracy is required only during "hold", and the system is adjusted for this.

The largest system errors are usually 3(b) and (c) due to drifts with temperature and time. If two multiplexer channels can be dedicated for stable (+) and (-) reference voltage inputs, then the data processor can continuously calibrate the system, effectively removing all errors, except 1(a) and 3(a) which are usually negligible.

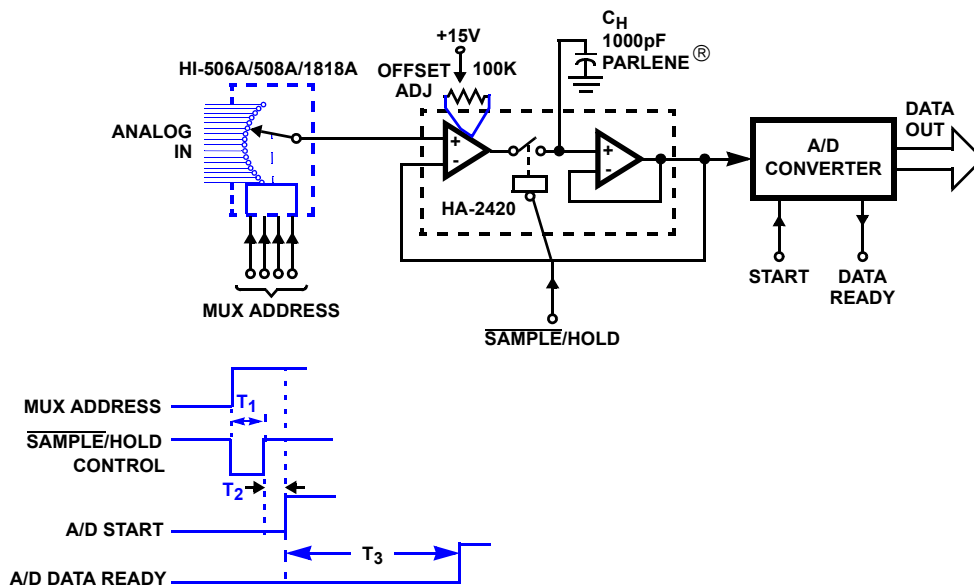


FIGURE 1. TIMING DIAGRAM

B. Timing

The timing diagram in Figure 1 indicates the necessary system delays for each multiplexer address:

- T_1 is the combined acquisition time for the multiplexer and S/H.
- T_2 is the short interval required for the sample-to-hold transient to settle.
- T_3 is the A/D conversion time.

The following table indicates minimum recommended timing for ± 10 volt input range for acquisition/settling times to 1/2 LSB accuracy:

MINIMUM RECOMMENDED TIMING FOR ± 10 VOLT V_{IN}

	T_1	T_2
10 bit:	6 μ s	1 μ s
12 bit:	12 μ s	2 μ s

The multiplexer, by itself, requires about 2 μ s and 9 μ s settling to 10 bit and 12 bit accuracy, respectively; but fortunately this can be concurrent with S/H acquisition time. This is longer than would be predicted by the $R_{ON} C_D$ time constant; probably because of internal distributed capacitance, a rather long period is required to traverse the last few millivolts towards the final value.

It should be noted that impedance conditions at the multiplexer inputs can affect the necessary acquisition time. At the instant the multiplexer switches from one channel to a new one, there is appreciable current pulled through the new channel input in order to charge C_D from its old level to its new level. This can cause ringing on signal lines, or glitches at signal conditioning amplifier outputs which require longer periods to settle. It is best for signal conditioning amplifiers to be wideband types, such as the HA-5170, so that their high frequency output impedance is low and recovery from load transients is fast, even though the signal to be measured is very low bandwidth.

The T_1 and T_2 times could be eliminated by alternating two S/H circuits, acquiring a new signal on the second while A/D conversion is taking place. The two S/H circuits would have inputs connected together, and outputs alternately connected to the A/D by an analog switch. Total time, then, would be T_3 plus the analog switch settling time.

If the MUX input channels are sequentially switched, each channel will be sampled at a rate of:

$$FS = \frac{1}{N(T_1 + T_2 + T_3)}$$

samples per second, where N is the number of channels. The frequency spectra of the input signals must then be no higher than $\frac{FS}{2}$.

In many systems, however, each channel carries a different maximum frequency of interest, and it may be desirable to depart from simple sequential scanning. Quickly varying signals, for example, could be addressed several times during a scanning period.

C. Adding Channels

For more than sixteen channels, several multiplexers may be tied together at the outputs, and addressed in parallel, but with only one "enabled" at a time. The MUX output offset will be increased, since I_D (OFF or ON) is additive. Also, output capacitance, C_D , is additive, creating increased access times.

These errors can be minimized in large systems by having several tiered levels of multiplexing; where the outputs of a number of MUXs are individually connected to the inputs of another MUX.

D. Differential Multiplexing

When low level analog signals must be conducted over a distance, it is generally better, from a noise pickup standpoint, to use a balanced transmission line carrying signals which are differential with respect to ground.

A differential multiplexer is used for this purpose, as shown in Figure 2. Two sample-and-hold circuits plus an op amp form a high impedance differential sample-and-hold with gain. At gains greater than 4, the minimum sampling time (T_1 in previous example) must be increased proportionately to gain to allow for overdamped settling characteristics.

When handling low level, or high impedance signals, consideration should be given to adding signal conditioning amplifiers at the signal sources, since this can often produce less troublesome, more accurate, lower cost systems.

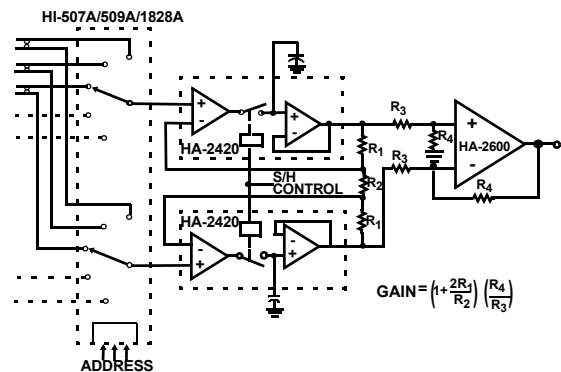


FIGURE 2. DIFFERENTIAL MULTIPLEXER

E. Demultiplexing

Since the switches in a CMOS MUX conduct equally well in either direction, it is perfectly feasible to use it as a single input-selected multiple output switch. Figure 3 illustrates its use as a demultiplexer, with capacitors to hold the output signal between samples. When the address lines are synchronous with the address of the original multiplexer, the output lines will create the original inputs, except level changes will be in steps.

Overvoltage protection is not effective with signals injected at the normal MUX output, so an external network should be added, if necessary.

A more accurate demultiplexer could be constructed using the HA-2420/2425 sample-and-hold for each channel, connecting inputs together and sampling each channel sequentially.

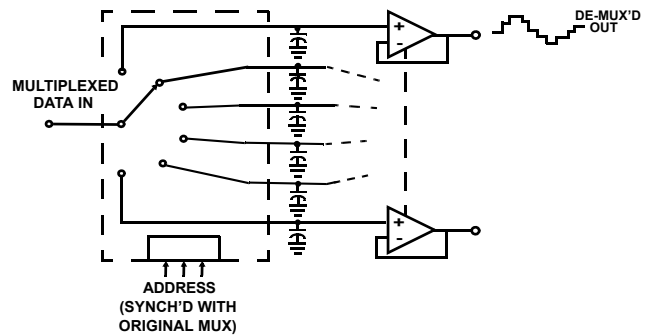


FIGURE 3. DEMULTIPLEXER

Notice

1. Descriptions of circuits, software and other related information in this document are provided only to illustrate the operation of semiconductor products and application examples. You are fully responsible for the incorporation or any other use of the circuits, software, and information in the design of your product or system. Renesas Electronics disclaims any and all liability for any losses and damages incurred by you or third parties arising from the use of these circuits, software, or information.
2. Renesas Electronics hereby expressly disclaims any warranties against and liability for infringement or any other claims involving patents, copyrights, or other intellectual property rights of third parties, by or arising from the use of Renesas Electronics products or technical information described in this document, including but not limited to, the product data, drawings, charts, programs, algorithms, and application examples.
3. No license, express, implied or otherwise, is granted hereby under any patents, copyrights or other intellectual property rights of Renesas Electronics or others.
4. You shall not alter, modify, copy, or reverse engineer any Renesas Electronics product, whether in whole or in part. Renesas Electronics disclaims any and all liability for any losses or damages incurred by you or third parties arising from such alteration, modification, copying or reverse engineering.
5. Renesas Electronics products are classified according to the following two quality grades: "Standard" and "High Quality". The intended applications for each Renesas Electronics product depends on the product's quality grade, as indicated below.
"Standard": Computers; office equipment; communications equipment; test and measurement equipment; audio and visual equipment; home electronic appliances; machine tools; personal electronic equipment; industrial robots; etc.
"High Quality": Transportation equipment (automobiles, trains, ships, etc.); traffic control (traffic lights); large-scale communication equipment; key financial terminal systems; safety control equipment; etc.
Unless expressly designated as a high reliability product or a product for harsh environments in a Renesas Electronics data sheet or other Renesas Electronics document, Renesas Electronics products are not intended or authorized for use in products or systems that may pose a direct threat to human life or bodily injury (artificial life support devices or systems; surgical implantations; etc.), or may cause serious property damage (space system; undersea repeaters; nuclear power control systems; aircraft control systems; key plant systems; military equipment; etc.). Renesas Electronics disclaims any and all liability for any damages or losses incurred by you or any third parties arising from the use of any Renesas Electronics product that is inconsistent with any Renesas Electronics data sheet, user's manual or other Renesas Electronics document.
6. When using Renesas Electronics products, refer to the latest product information (data sheets, user's manuals, application notes, "General Notes for Handling and Using Semiconductor Devices" in the reliability handbook, etc.), and ensure that usage conditions are within the ranges specified by Renesas Electronics with respect to maximum ratings, operating power supply voltage range, heat dissipation characteristics, installation, etc. Renesas Electronics disclaims any and all liability for any malfunctions, failure or accident arising out of the use of Renesas Electronics products outside of such specified ranges.
7. Although Renesas Electronics endeavors to improve the quality and reliability of Renesas Electronics products, semiconductor products have specific characteristics, such as the occurrence of failure at a certain rate and malfunctions under certain use conditions. Unless designated as a high reliability product or a product for harsh environments in a Renesas Electronics data sheet or other Renesas Electronics document, Renesas Electronics products are not subject to radiation resistance design. You are responsible for implementing safety measures to guard against the possibility of bodily injury, injury or damage caused by fire, and/or danger to the public in the event of a failure or malfunction of Renesas Electronics products, such as safety design for hardware and software, including but not limited to redundancy, fire control and malfunction prevention, appropriate treatment for aging degradation or any other appropriate measures. Because the evaluation of microcomputer software alone is very difficult and impractical, you are responsible for evaluating the safety of the final products or systems manufactured by you.
8. Please contact a Renesas Electronics sales office for details as to environmental matters such as the environmental compatibility of each Renesas Electronics product. You are responsible for carefully and sufficiently investigating applicable laws and regulations that regulate the inclusion or use of controlled substances, including without limitation, the EU RoHS Directive, and using Renesas Electronics products in compliance with all these applicable laws and regulations. Renesas Electronics disclaims any and all liability for damages or losses occurring as a result of your noncompliance with applicable laws and regulations.
9. Renesas Electronics products and technologies shall not be used for or incorporated into any products or systems whose manufacture, use, or sale is prohibited under any applicable domestic or foreign laws or regulations. You shall comply with any applicable export control laws and regulations promulgated and administered by the governments of any countries asserting jurisdiction over the parties or transactions.
10. It is the responsibility of the buyer or distributor of Renesas Electronics products, or any other party who distributes, disposes of, or otherwise sells or transfers the product to a third party, to notify such third party in advance of the contents and conditions set forth in this document.
11. This document shall not be reprinted, reproduced or duplicated in any form, in whole or in part, without prior written consent of Renesas Electronics.
12. Please contact a Renesas Electronics sales office if you have any questions regarding the information contained in this document or Renesas Electronics products.
(Note 1) "Renesas Electronics" as used in this document means Renesas Electronics Corporation and also includes its directly or indirectly controlled subsidiaries.
(Note 2) "Renesas Electronics product(s)" means any product developed or manufactured by or for Renesas Electronics.

(Rev.4.0-1 November 2017)



SALES OFFICES

Renesas Electronics Corporation

<http://www.renesas.com>

Refer to "<http://www.renesas.com/>" for the latest and detailed information.

Renesas Electronics America Inc.
1001 Murphy Ranch Road, Milpitas, CA 95035, U.S.A.
Tel: +1-408-432-8888, Fax: +1-408-434-5351

Renesas Electronics Canada Limited
9251 Yonge Street, Suite 8309 Richmond Hill, Ontario Canada L4C 9T3
Tel: +1-905-237-2004

Renesas Electronics Europe Limited
Dukes Meadow, Millboard Road, Bourne End, Buckinghamshire, SL8 5FH, U.K.
Tel: +44-1628-651-700, Fax: +44-1628-651-804

Renesas Electronics Europe GmbH
Arcadiastrasse 10, 40472 Düsseldorf, Germany
Tel: +49-211-6503-0, Fax: +49-211-6503-1327

Renesas Electronics (China) Co., Ltd.
Room 1709 Quantum Plaza, No.27 ZhichunLu, Haidian District, Beijing, 100191 P. R. China
Tel: +86-10-8235-1155, Fax: +86-10-8235-7679

Renesas Electronics (Shanghai) Co., Ltd.
Unit 301, Tower A, Central Towers, 555 Langao Road, Putuo District, Shanghai, 200333 P. R. China
Tel: +86-21-2226-0888, Fax: +86-21-2226-0999

Renesas Electronics Hong Kong Limited
Unit 1601-1611, 16/F., Tower 2, Grand Century Place, 193 Prince Edward Road West, Mongkok, Kowloon, Hong Kong
Tel: +852-2265-6688, Fax: +852-2886-9022

Renesas Electronics Taiwan Co., Ltd.
13F, No. 363, Fu Shing North Road, Taipei 10543, Taiwan
Tel: +886-2-8175-9600, Fax: +886-2-8175-9670

Renesas Electronics Singapore Pte. Ltd.
80 Bendemeer Road, Unit #06-02 Hyflux Innovation Centre, Singapore 339949
Tel: +65-6213-0200, Fax: +65-6213-0300

Renesas Electronics Malaysia Sdn.Bhd.
Unit 1207, Block B, Menara Amcorp, Amcorp Trade Centre, No. 18, Jln Persiaran Barat, 46050 Petaling Jaya, Selangor Darul Ehsan, Malaysia
Tel: +60-3-7955-9390, Fax: +60-3-7955-9510

Renesas Electronics India Pvt. Ltd.
No.777C, 100 Feet Road, HAL 2nd Stage, Indiranagar, Bangalore 560 038, India
Tel: +91-80-67208700, Fax: +91-80-67208777

Renesas Electronics Korea Co., Ltd.
17F, KAMCO Yangjae Tower, 262, Gangnam-daero, Gangnam-gu, Seoul, 06265 Korea
Tel: +82-2-558-3737, Fax: +82-2-558-5338