

## Introduction

Time-Slot Interchanger (TSI) products are used widely in Time Division Multiplexer (TDM) switching systems. Typical applications including the following:

- Central office TDM switches, i.e., Class 5 voice switches, Media Gateway, Wireless Services switches
- Digital cross-connects and digital loop carriers
- T1/E1 Add/drop multiplexers
- IP gateways
- PON transmission system
- Multi-service Access platforms
- Wireless base stations

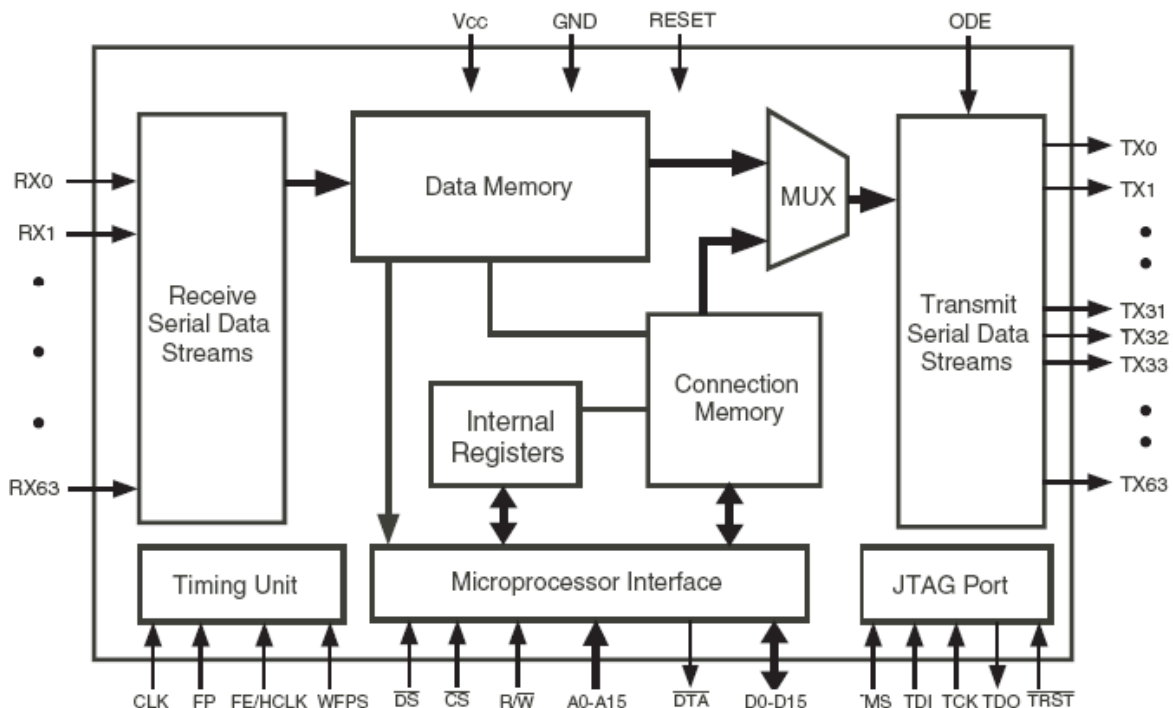
TSI conducts non-blocking switching down to DS0 level. IDT offers TSI products with a switching capacity ranging from 128 x 128 to 32K x 32K. Features also include input frame offset alignment, rate-matching and block programming, etc.

This application note describes in detail some of the basic application considerations for TSI products. These considerations include connection memory configuration, block programming and rate-matching features. These considerations are encountered in most TSI applications. TSI bus interface with H.110 will be discussed in a separate note.

## Connection Memory Configurations

Figure 1 is a typical functional block diagram of TSI products. (also refer to [References](#) [1])

Figure 1. TSI Functional Block Diagram



There are two memory blocks shown in [Figure 1](#) - Data Memory and Connection Memory. Data Memory is a temporary buffer of all incoming serial streams. It can be read out by processor to access a particular DS0 in any input serial stream. But its contents can not be altered by system processor.

Connection Memory can be read or written by the system processor. In processor mode (MOD[1:0] = 10), system processor can write data into Connection Memory locations to be routed into output serial streams. In other modes in which time-slot switching is enabled to connect any input time-slot to any output time-slot, Connection Memory must be configured accordingly. This is the basic function a TSI device accomplishes. This section introduces in detail how to configure Connection Memory for time-slot switching. An example is given to illustrate the configuration procedures.

Suppose you want to make a connection, using 72V71660, between Time Slot #1 (TS0) of input stream #5 (RX4) and Time Slot #10 of (TS9) of output stream #14 (TX13), and visa versa. That is, switching between (incoming) TS0/RX4 and (outgoing) TS9/TX13. We can also interpret this connection in terms of origin versus destination: Origin = TS0/RS4; Destination = TS9/TX13.

Making a time-slot switching in TSI device is then nothing more than defining the “destination” and the “origin”. Connection Memory block has a 16-bit address and a 16-bit data. The address bits define the Destination; the data bits determine the Origin.

Connection Memory block is selected when address bits A[15:14] = 10. The lower 14 address bits (A[13:0]) are used to select 214 = 16K locations in the block, of which A13~A8 select outgoing serial streams; A7~A0 select time slots in each of these streams. Please refer to [Figure 2](#) for address bits definition. The address of each location in Connection Memory is the Destination. It represents an outgoing time-slot in TX streams

The 16-bit data intended to be written into a Connection Memory location is the origin. It specifies the data source (an incoming time-slot) for this destination (an outgoing time-slot). The data bits definition is shown in [Figure 3](#).

Coming back to the above example, all we need to do is to define the destination in Connection Memory and to determine the origin (data source) for it. We have:

- (1) The destination can be translated into an address: TS9/TX13 → A[15:14] = 10, STA[5:0] = 001101, CH[7:0] = 00001001. The address is: 0x8D09 in hex.

**Figure 2. Connection Memory Address Definition**

A15	A14	A13	A12	A11	A10	A9	A8	A7	A6	A5	A4	A3	A2	A1	A0	R/W	Location
1	0	STA5	STA4	STA3	STA2	STA1	STA0	CH7	CH6	CH5	CH4	CH3	CH2	CH1	CH0	R/W	Connection Memory

- (2) The origin can be obtained by: TS0/RX4 → MOD[1:0] = 01 (for constant delay mode), AB[5:0] = 000100, CAB[7:0] = 00000000. Therefore, the origin is: 0x4400

A single write operation on Connection Memory with address = 0x8D09 and data = 0x4400 will make a connection specified in the example

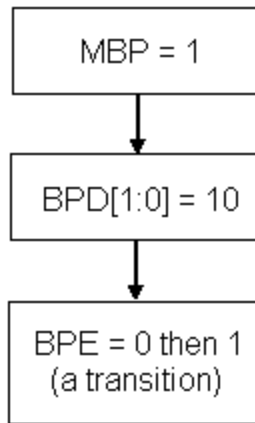
**Figure 3. Contents (source) Definition For Connection Memory Locations**

15	14	13	12	11	10	9	8	7	6	5	4	3	2	1	0		
MOD1	MOD0	SAB5	SAB4	SAB3	SAB2	SAB1	SAB0	CAB7	CAB6	CAB5	CAB4	CAB3	CAB2	CAB1	CAB0		
Bit	Name	Description															
15, 14	MOD1-0 (Switching Mode Selection)	<table border="1"> <thead> <tr> <th>MOD1</th><th>MOD0</th><th>MODE</th></tr> </thead> <tbody> <tr> <td>0</td><td>0</td><td>Variable Delay mode</td></tr> <tr> <td>0</td><td>1</td><td>Constant Delay mode</td></tr> <tr> <td>1</td><td>0</td><td>Processor mode</td></tr> <tr> <td>1</td><td>1</td><td>Output high-impedance</td></tr> </tbody> </table>	MOD1	MOD0	MODE	0	0	Variable Delay mode	0	1	Constant Delay mode	1	0	Processor mode	1	1	Output high-impedance
MOD1	MOD0	MODE															
0	0	Variable Delay mode															
0	1	Constant Delay mode															
1	0	Processor mode															
1	1	Output high-impedance															
13-8	SAB5-0 (Source Stream Address Bits)	The binary value is the number of the data stream for the source of the connection.															
7-0	CAB7-0 (Source Channel Address Bits)	The binary value is the number of the channel for the source of the connection.															

### Memory Block Programming

Memory block programming capability is provided to ease the initialization of the entire Connection Memory block. The feature involves 4 control bits in Control register (A[15:14] = 01): MBP (bit 9), BPD[1:0] (bit 8 and 7), BPE (bit 6). The following is a working procedure for activating Memory Block Programming:

**Figure 4. Steps to enable Memory Block Programming**



Once a zero-to-one transition is created on BPE bit, the entire Connection Memory block will be initialized in 2 frames (2x125µs = 250µs). The initialization process put A[15:14] = BPD[1:0], A[13:0] = 0x0000 in every single locations in Connection Memory block. By completion, the device will reset BPD[1:0] = 00.

To disable the Memory Block Program feature, configure MBP = 0. In this case, the system processor needs to conduct the initialization process by writing into every location of the Connection Memory block.

## Rate-Matching

Rate-matching allows the user to configure TSI device in such a way that all input streams operate in the same rate while output streams operate in different rates. This feature apparently enhances the flexibility of device's TDM interfaces.

TSI devices supporting rate-matching (refer to [References](#) [2]) can be configured to work in either “regular mode” (input and output streams operate in the same rate) or “Mux/Deux mode” in which rate-matching is possible.

Four control bits (DR[3:0]) in Control Register configure different rate combinations, as shown in the following chart (also refer to [References](#) [3]).

**Figure 5. Rate-matching Selections by Control Bits DR[3:0]**

Switching Mode	Control Bits				Data Rate bits/s		Clock Rate MHz
	DR3	DR2	DR1	DR0	Receive Streams	Transmit Streams	
Mux/Demux	0	1	0	0	2 M on RX0-15	8 M on TX0-3	16
	0	1	0	1	8 M on RX0-3	2 M on TX0-15	16
	0	1	1	0	4 M on RX0-15	8 M on TX0-7	16
	0	1	1	1	8 M on RX0-7	4 M on TX0-15	16
	1	0	0	0	16 M on RX0-1	2 M on TX0-15	16
	1	0	0	1	2 M on RX0-15	16 M on TX0-3	16
	1	0	1	0	16 M on RX0-7	8 M on TX0-15	16
	1	0	1	1	8 M on RX0-15	16 M on TX0-7	16

Note: 16.384MHz clock rate is required when rate-matching is enabled.

## References

[1] 72V71660 device datasheet

[2] Rate-matching is supported in the following IDT TSI devices: 72V71623 (2K x 2K), 72V71643 (4K x 4K), 72V73263 (16K x 16K), 72V73273 (32K x 32K)

[3] 72V71643 device datasheet



## IMPORTANT NOTICE AND DISCLAIMER

RENESAS ELECTRONICS CORPORATION AND ITS SUBSIDIARIES (“RENESAS”) PROVIDES TECHNICAL SPECIFICATIONS AND RELIABILITY DATA (INCLUDING DATASHEETS), DESIGN RESOURCES (INCLUDING REFERENCE DESIGNS), APPLICATION OR OTHER DESIGN ADVICE, WEB TOOLS, SAFETY INFORMATION, AND OTHER RESOURCES “AS IS” AND WITH ALL FAULTS, AND DISCLAIMS ALL WARRANTIES, EXPRESS OR IMPLIED, INCLUDING, WITHOUT LIMITATION, ANY IMPLIED WARRANTIES OF MERCHANTABILITY, FITNESS FOR A PARTICULAR PURPOSE, OR NON-INFRINGEMENT OF THIRD-PARTY INTELLECTUAL PROPERTY RIGHTS.

These resources are intended for developers who are designing with Renesas products. You are solely responsible for (1) selecting the appropriate products for your application, (2) designing, validating, and testing your application, and (3) ensuring your application meets applicable standards, and any other safety, security, or other requirements. These resources are subject to change without notice. Renesas grants you permission to use these resources only to develop an application that uses Renesas products. Other reproduction or use of these resources is strictly prohibited. No license is granted to any other Renesas intellectual property or to any third-party intellectual property. Renesas disclaims responsibility for, and you will fully indemnify Renesas and its representatives against, any claims, damages, costs, losses, or liabilities arising from your use of these resources. Renesas' products are provided only subject to Renesas' Terms and Conditions of Sale or other applicable terms agreed to in writing. No use of any Renesas resources expands or otherwise alters any applicable warranties or warranty disclaimers for these products.

(Disclaimer Rev.1.01)

### Corporate Headquarters

TOYOSU FORESIA, 3-2-24 Toyosu,  
Koto-ku, Tokyo 135-0061, Japan  
[www.renesas.com](http://www.renesas.com)

### Trademarks

Renesas and the Renesas logo are trademarks of Renesas Electronics Corporation. All trademarks and registered trademarks are the property of their respective owners.

### Contact Information

For further information on a product, technology, the most up-to-date version of a document, or your nearest sales office, please visit [www.renesas.com/contact-us/](http://www.renesas.com/contact-us/).