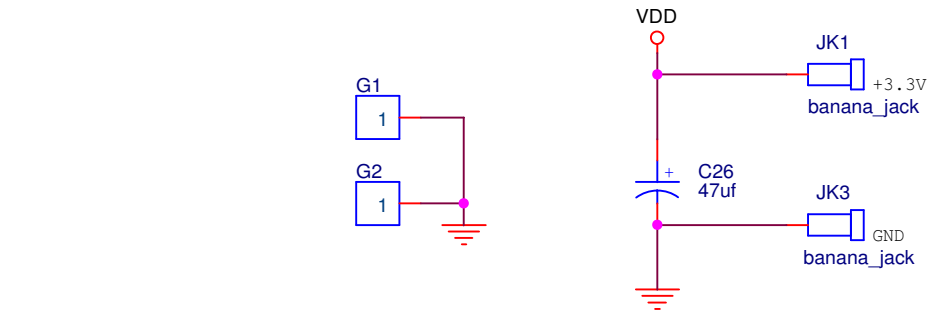
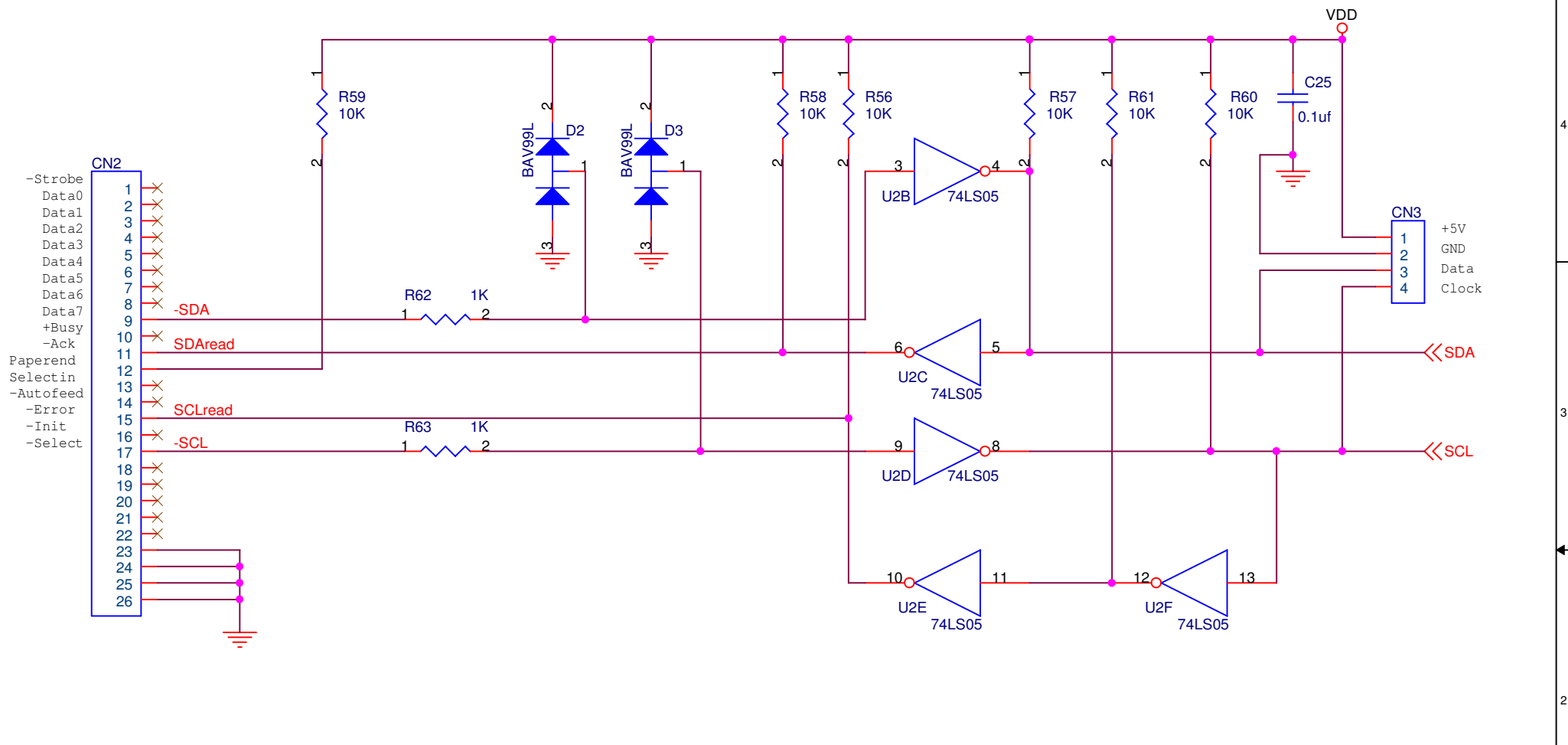



**NOTE:**  
 The MK040401 board supports both the ICS1523 and the ICS1524. Lower case signal names below are for the 1524, Upper case text is for the 1523. See Data Sheet.

Un-Lock Indicator

Integrated Device Technology, Inc.  
 6024 Silver Creek Valley Rd.  
 San Jose, CA 95138  
 408-284-8400

Title		
MK040401		
Size	Document Number	Rev
A	ICS1523/1524 Section	1.0
Date:	Monday, July 31, 2006	Sheet 1 of 2



 Integrated Device Technology, Inc. 6024 Silver Creek Valley Rd. San Jose, CA 95138 408-284-8400		
Title		
MK040401		
Size	Document Number	Rev
A	II2 Conversion and Power Input	1.0
Date:	Monday, July 31, 2006	Sheet 1 of 2