

Introduction

The typical source of light in a flashlight is a small incandescent bulb or light-emitting diode (LED). These are powered by disposable or rechargeable batteries, turning a crank, shaking, or solar panels to recharge a battery. This application note describes the design of a current control for an LED version flashlight.

Flashlight circuit design

The circuit shown in Fig 1 includes one SLG46721 programmable mixed-signal ASIC, two transistors, a switch, two capacitors, six resistors, one 3W LED and six 5mm LEDs. Fig 2 shows the internal structure of the SLG46721 programmable mixed-signal ASIC, which controls all functions of the flashlight. This design utilizes three analog comparators, two 2-bit LUTs, two 3-bit LUTs, two inverters, two delays and one 4-bit LUT.

The design can be divided into 4 operational blocks: power ON/OFF, Low battery detection, constant current block for a 3W LED, and a constant current block for driving 6 LED's.

The power ON/OFF block is implemented by 2-bit LUT4 and INV0. Low battery detection is implemented using ACMP0 and 3-bit LUT0, INV1, Delay0 and Delay1. Constant current block for 3W LED is implemented using ACMP3 and 3-bit LUT1. And the 6 LED's block is implemented using ACMP2, 2-bit LUT5 and 4-bit LUT0.

Flashlight circuit analysis

This flashlight uses a special button with four states. This button has one input and four outputs. An input connects to each output in cycle with each button push. With the switch in the OFF position, the current draw from the battery is <1uA. If the switch is in 3W_LED_ON position, 2-bit LUT4 output will be HIGH. In this case all ACMPs will be turned ON, PIN7 will go LOW and it turns on the external divider which checks if the battery has >3.2V. If the battery is charged >3.2V, the IC will turn ON 3W LED using a constant current block. The same functionality will be with 6 LED's when the switch is in 6LED_ON position.

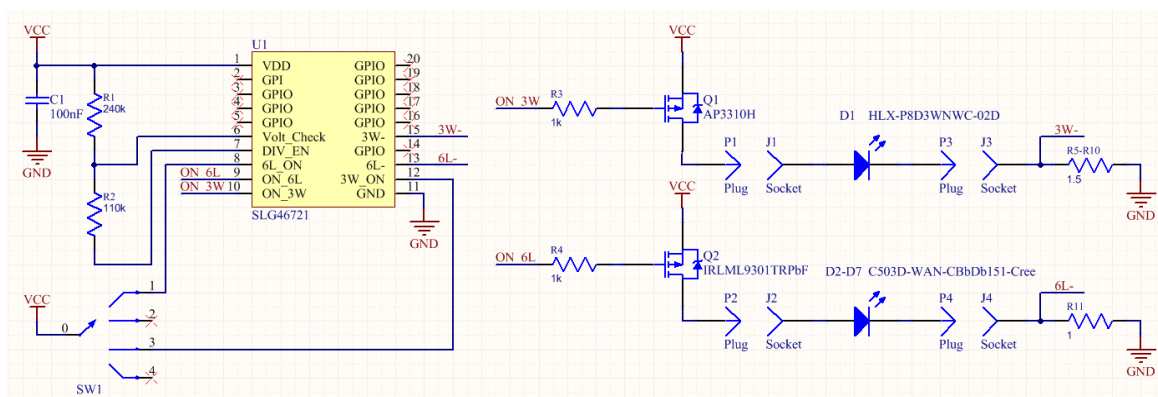


Fig 1. Flashlight circuit

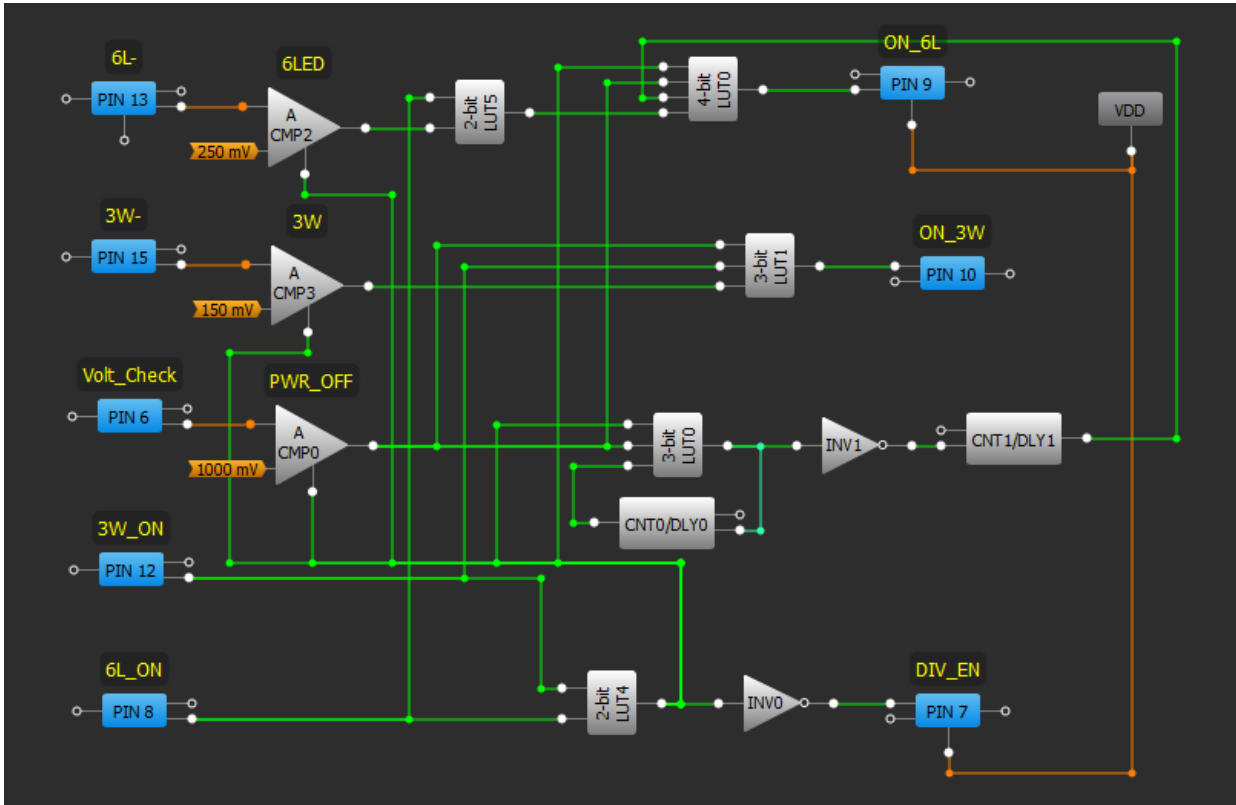


Fig 2. Flashlight GreenPAK schematic

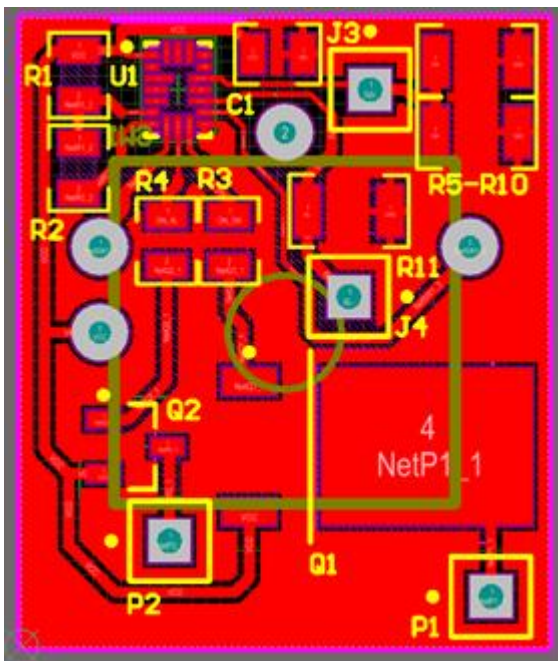


Fig 3. Flashlight PCB

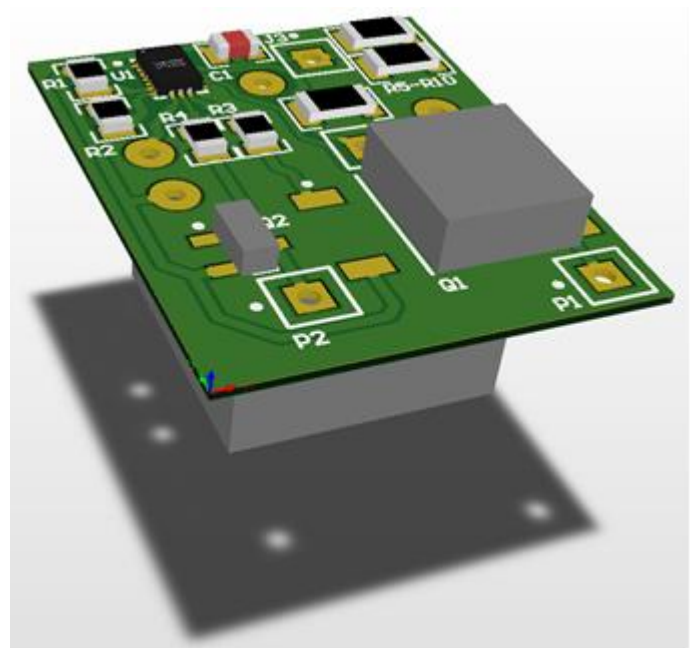


Fig 4. Flashlight PCB 3D view

In the case where the flashlight is in any of the ON positions and battery voltage drops below ~3.2V, programmable mixed-signal ASIC will enter a third mode: 6 LEDs will start blinking with 1Hz (100ms ON, 900ms OFF) frequency, which means that the battery is low and should be recharged.

Conclusion

Using constant current blocks in flashlight controls is very useful because it is effective, reduces current consumption, and extends run time.



Fig 5. Complete Flashlight

IMPORTANT NOTICE AND DISCLAIMER

RENESAS ELECTRONICS CORPORATION AND ITS SUBSIDIARIES (“RENESAS”) PROVIDES TECHNICAL SPECIFICATIONS AND RELIABILITY DATA (INCLUDING DATASHEETS), DESIGN RESOURCES (INCLUDING REFERENCE DESIGNS), APPLICATION OR OTHER DESIGN ADVICE, WEB TOOLS, SAFETY INFORMATION, AND OTHER RESOURCES “AS IS” AND WITH ALL FAULTS, AND DISCLAIMS ALL WARRANTIES, EXPRESS OR IMPLIED, INCLUDING, WITHOUT LIMITATION, ANY IMPLIED WARRANTIES OF MERCHANTABILITY, FITNESS FOR A PARTICULAR PURPOSE, OR NON-INFRINGEMENT OF THIRD-PARTY INTELLECTUAL PROPERTY RIGHTS.

These resources are intended for developers who are designing with Renesas products. You are solely responsible for (1) selecting the appropriate products for your application, (2) designing, validating, and testing your application, and (3) ensuring your application meets applicable standards, and any other safety, security, or other requirements. These resources are subject to change without notice. Renesas grants you permission to use these resources only to develop an application that uses Renesas products. Other reproduction or use of these resources is strictly prohibited. No license is granted to any other Renesas intellectual property or to any third-party intellectual property. Renesas disclaims responsibility for, and you will fully indemnify Renesas and its representatives against, any claims, damages, costs, losses, or liabilities arising from your use of these resources. Renesas' products are provided only subject to Renesas' Terms and Conditions of Sale or other applicable terms agreed to in writing. No use of any Renesas resources expands or otherwise alters any applicable warranties or warranty disclaimers for these products.

(Disclaimer Rev.1.01 Jan 2024)

Corporate Headquarters

TOYOSU FORESIA, 3-2-24 Toyosu,
Koto-ku, Tokyo 135-0061, Japan
www.renesas.com

Trademarks

Renesas and the Renesas logo are trademarks of Renesas Electronics Corporation. All trademarks and registered trademarks are the property of their respective owners.

Contact Information

For further information on a product, technology, the most up-to-date version of a document, or your nearest sales office, please visit www.renesas.com/contact-us/.