

Introduction

Sequencers are functions that with the permission of the input signal change their output states with a given sequence. This simple unit has one data input, and three data outputs. Main part of the design is Pipe Delay cell with nRESET input to return outputs in startup state, see Figure 1.

Sequencer Circuit Design

As can be seen on Figure 4, Sequencer is implemented using Pipe Delay with data and reset inputs connected to SEQUENCER_IN (PIN2), clock input to CNT0/DLY0 output (as it together with LUT3-bit0 forms an oscillator), 1 PIPE OUT to 1_PIPE_OUT (PIN10), OUT1 to SEQUENCER_OUT1 (PIN11), OUT0 to SEQUENCER_OUT0 (PIN12), all outputs have Output Enable connected to VDD as they are configured as push-pull.

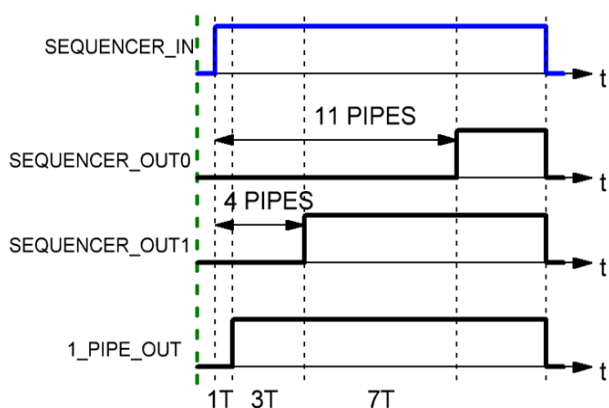


Figure 1. Sequencer Timing Diagrams

Digital Sequencer circuit analysis

When HIGH signal comes in to SEQUENCER_IN (PIN2), it allows, pipe delay with sourced data input from the same PIN2 and clock from Sequencer Oscillator which produces pulses with width of 1/29.11kHz and period T=10ms due to CNT0/DLY0

set as rising edge delay. 1 PIPE OUT will switch HIGH after first rising edge of clocking signal (in 10ms), OUT1 after 4th (40ms), OUT0 after eleven clocks (110ms). When pipe delay's OUT0 is set HIGH the Sequencer Oscillator will turn OFF (see Figure2). Sequencer will hold its output states until SEQUENCER_IN (PIN2) goes LOW.

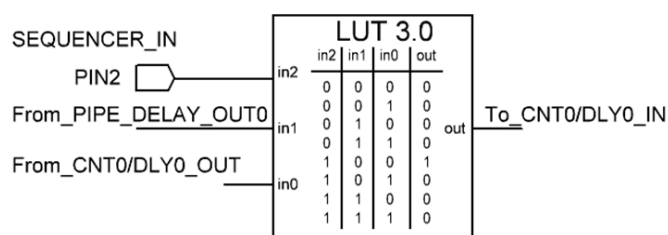


Figure 2. Sequencer Oscillator LUT Truth Table

Functionality waveform of real Sequencer circuit created in GreenPAK2 Designer is shown on Figure 3, where Channel1 (yellow/top line) – PIN2 (SEQUENCER_IN), Channel2 (light blue/2nd line) – PIN12 (SEQUENCER_OUT0), Channel 3 (magenta/3rd line) – PIN11 (SEQUENCER_OUT1), Channel4 (blue/bottom line) – PIN10 (1_PIPE_OUT). As can be seen from Figure 3 the real waveforms coincide with the theoretical shown in Figure 1.

Related Files

Programming code for [GreenPAK Designer](#).

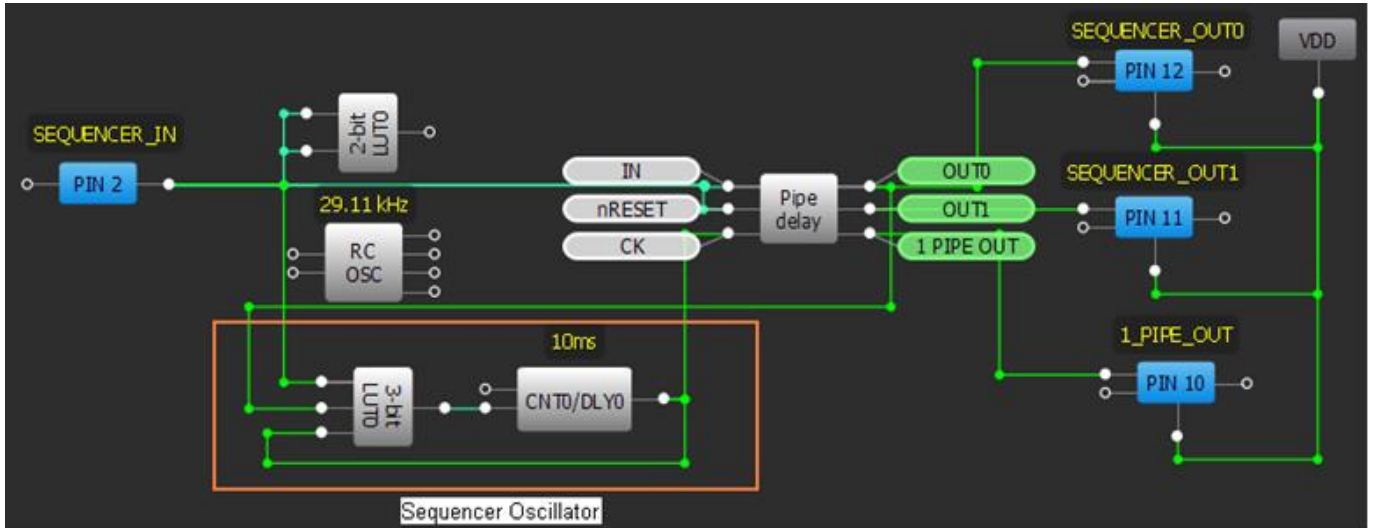


Figure 3. Sequencer circuit in GreenPAK2 Designer

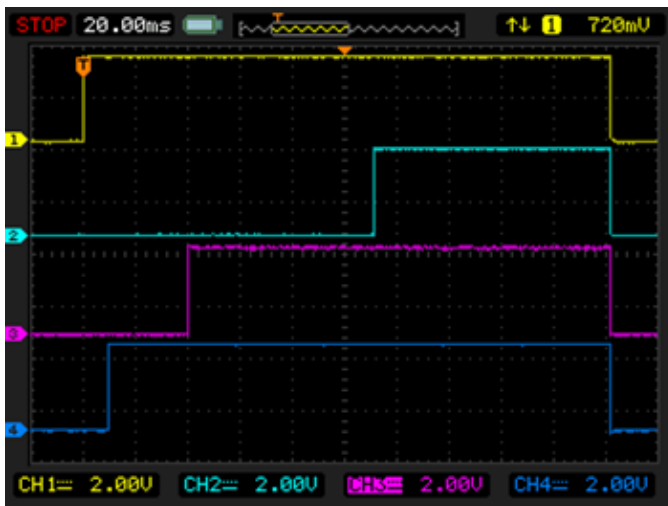


Figure 4. Sequencer Functionality Waveforms

Conclusion

Digital Sequencer is a simple but useful function which can be used power management systems or switch LEDs.

Note: for proper operation of circuit don't forget to configure input and output pins correctly. In case of schematic you see on Figure 4 inputs are configured as digital input with Schmitt trigger, and outputs as push-pull.

IMPORTANT NOTICE AND DISCLAIMER

RENESAS ELECTRONICS CORPORATION AND ITS SUBSIDIARIES (“RENESAS”) PROVIDES TECHNICAL SPECIFICATIONS AND RELIABILITY DATA (INCLUDING DATASHEETS), DESIGN RESOURCES (INCLUDING REFERENCE DESIGNS), APPLICATION OR OTHER DESIGN ADVICE, WEB TOOLS, SAFETY INFORMATION, AND OTHER RESOURCES “AS IS” AND WITH ALL FAULTS, AND DISCLAIMS ALL WARRANTIES, EXPRESS OR IMPLIED, INCLUDING, WITHOUT LIMITATION, ANY IMPLIED WARRANTIES OF MERCHANTABILITY, FITNESS FOR A PARTICULAR PURPOSE, OR NON-INFRINGEMENT OF THIRD PARTY INTELLECTUAL PROPERTY RIGHTS.

These resources are intended for developers skilled in the art designing with Renesas products. You are solely responsible for (1) selecting the appropriate products for your application, (2) designing, validating, and testing your application, and (3) ensuring your application meets applicable standards, and any other safety, security, or other requirements. These resources are subject to change without notice. Renesas grants you permission to use these resources only for development of an application that uses Renesas products. Other reproduction or use of these resources is strictly prohibited. No license is granted to any other Renesas intellectual property or to any third party intellectual property. Renesas disclaims responsibility for, and you will fully indemnify Renesas and its representatives against, any claims, damages, costs, losses, or liabilities arising out of your use of these resources. Renesas' products are provided only subject to Renesas' Terms and Conditions of Sale or other applicable terms agreed to in writing. No use of any Renesas resources expands or otherwise alters any applicable warranties or warranty disclaimers for these products.

(Rev.1.0 Mar 2020)

Corporate Headquarters

TOYOSU FORESIA, 3-2-24 Toyosu,
Koto-ku, Tokyo 135-0061, Japan
www.renesas.com

Contact Information

For further information on a product, technology, the most up-to-date version of a document, or your nearest sales office, please visit:
www.renesas.com/contact/

Trademarks

Renesas and the Renesas logo are trademarks of Renesas Electronics Corporation. All trademarks and registered trademarks are the property of their respective owners.