
ISL70061SEH, ISL73061SEH

Total Dose Test Report

Introduction

This report provides results of a Low Dose Rate (LDR) and High Dose Rate (HDR) total gamma ray dose test of the [ISL70061SEH](#) and [ISL73061SEH](#) PMOS load switches. The test was conducted to characterize the total dose sensitivity and dose rate or bias sensitivity of the parts. The test also performed biased high temperature anneals after the completion of irradiation at both dose rates to evaluate time-dependent effects. The testing was carried out on ISL70061SEH samples; the results apply to both parts.

Product Description

The ISL70061SEH and ISL73061SEH are radiation hardened single-channel load switches featuring low ON-resistance and fixed controlled rise time. The parts use a PMOS pass device as the main switch, with an operating voltage of 3.0V to 5.5V, maximum continuous current of 10A and maximum ON-resistance of 24m Ω (5.5V) and 25m Ω (3.0V). Simple ON/OFF digital control inputs allow direct interface with low voltage control signals from an FPGA, MCU, or processor. Additional features include Reverse Current Protection (RCP) to stop current from flowing toward the input when the switch output (SWO) voltage exceeds the switch input (SWI) voltage, a 122 Ω on-chip load resistor to discharge the output when the switch is OFF and Undervoltage Lockout (UVLO) protection that keeps the switch OFF when the supply voltage is too low. To minimize inrush current, the parts feature internally controlled switching with a fixed rise time of 625 μ s at 5.5V. Additionally, an internal 122 Ω NMOS device actively discharges the output when the pass device is OFF and the control logic input is HIGH. The ISL70061SEH and ISL73061SEH operate across the military temperature range from -55°C to +125°C and are available in a 14 Ld hermetically sealed Ceramic Dual Flatpack (CDFP) package or in die form. A block diagram is shown in [Figure 1](#).

The ISL70061SEH is specified in the SMD (5962-19208) to a total dose (TID) rating of 100krad(Si) at high (50-300rad(Si)/s) dose rate and to 50krad(Si) at low (<0.01rad(Si)/s) dose rate, while the ISL73061SEH is specified in the SMD to a total dose (TID) rating of 50krad(Si) at low (<0.01rad(Si)/s) dose rate. The ISL70061SEH is specified in the Renesas datasheet and acceptance tested on a wafer-by-wafer basis to 75krad(Si) at LDR and to 100krad(Si) at HDR, while the ISL73061SEH is specified in the datasheet and acceptance tested on a wafer-by-wafer basis to 75krad(Si) at LDR only. The discrepancy between the SMD and datasheet LDR specifications can be attributed to the absence of a 75krad(Si) total dose RHA level in MIL-PRF-38535.

Both parts are rated to 86MeV \cdot cm²/mg for Single-Event Effects (SEE), including single-event latch-up, single-event burnout (both at a supply voltage of 6.7V), and single-event transient.

The ISL70061SEH and ISL73061SEH are implemented in a submicron BiCMOS process optimized for power management applications. The process is in volume production under MIL-PRF-38535 certification and is used for a wide range of power management devices. Specifications for radiation hardened QML devices are controlled by the Defense Logistics Agency, Land and Maritime (DLA) in Columbus, OH. SMD 5962-19208 is the controlling document and should be cited when ordering.

Related Literature

For a full list of related documents, visit our website:

- [ISL70061SEH](#), [ISL73061SEH](#) device pages
- MIL-STD-883G test method 1019

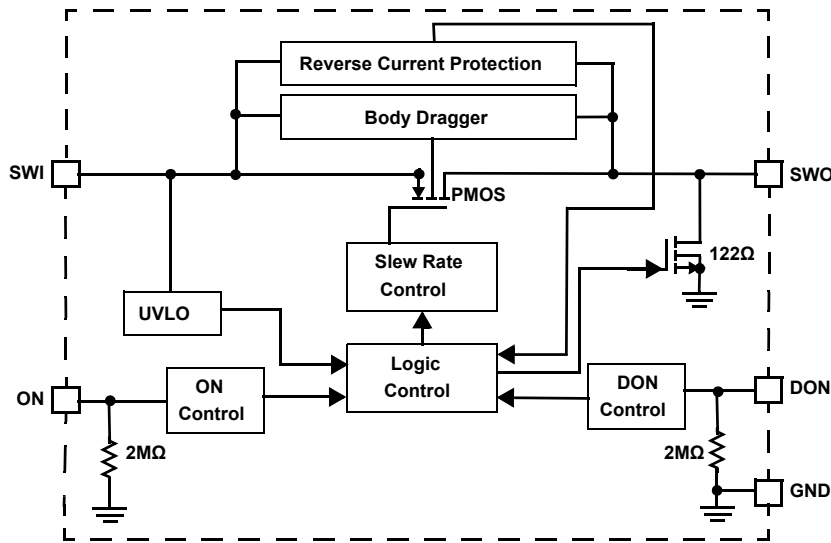


Figure 1. ISL70061SEH Block Diagram

1. Test Description

1.1 Irradiation Facilities

HDR testing of ISL70061SEH samples was performed at 72rad(Si)/s using a Gammacell 220 irradiator located in the Palm Bay, Florida Renesas facility. LDR testing was performed at 0.010rad(Si)/s using a Hopewell Designs N40 LDR irradiator also located in Palm Bay. Both irradiators use PbAl spectrum hardening filters to shield the test fixture and samples against low energy secondary gamma radiation. The 168-hour post-irradiation anneals used the same bias configuration as the biased irradiation (Figure 2) and were performed at 100°C using a small temperature chamber.

1.2 Test Fixturing

Figure 2 shows the configuration used for biased irradiation and anneal.

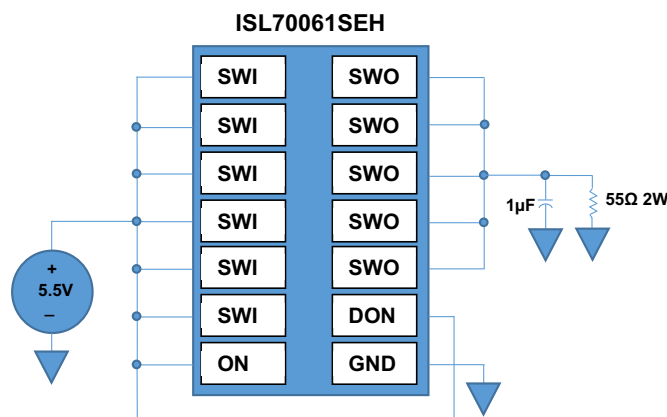


Figure 2. Irradiation and Anneal Bias Configuration for the ISL70061SEH

1.3 Characterization Equipment and Procedures

All electrical testing was performed at room temperature outside the irradiator using the Palm Bay production Automated Test Equipment (ATE), with data logging at each downpoint.

1.4 Experimental Matrix

Testing proceeded per the LDR sensitivity diagnostic protocol outlined in MIL-STD-883 Test Method 1019. The experimental matrix consisted of six samples irradiated at HDR with all pins grounded, six samples irradiated at HDR under bias, twelve samples irradiated at LDR with all pins grounded and twelve samples irradiated at LDR under bias. A biased anneal at 100°C for 168 hours was performed following all irradiations to evaluate the Time-Dependent Effect (TDE) characteristics of the part. Several control units were used to ensure repeatable ATE data.

Samples of the ISL70061SEH were drawn from fabrication lots 22L3B01, 28NGB, and 291PB and were packaged in the production hermetic 14 Ld ceramic flatpack. Samples were processed through the standard QML-V burn-in screens of 180 hours dynamic burn-in and 72 hours static burn-in before irradiation, as required by MIL-STD-883, and were screened to the SMD 5962-19208 limits at room, low, and high temperatures before the start of total dose testing.

1.5 Downpoints

The LDR downpoints were 0, 10, 30, 50, 75, and 100krad(Si) and the HDR downpoints were 0, 30, 50, 100, and 150krad(Si). The biased anneals were performed at 100°C for 168 hours.

2. Results

Total dose testing of the ISL70061SEH showed no reject devices after biased or grounded irradiation at either dose rate or after anneal, screening to the SMD limits at all downpoints.

2.1 Attributes Data

Table 1. Attributes Data

Part	Dose Rate (rad(Si)/s)	Bias	Sample Size	Downpoint	Pass (Note 1)	Fail
ISL70061SEH	0.01	Biased	12	Pre-irradiation	12	0
				10krad(Si)	12	0
				30krad(Si)	12	0
				50krad(Si)	12	0
				75krad(Si)	12	0
				100krad(Si)	12	0
				Anneal	12	0
ISL70061SEH	0.01	Grounded	12	Pre-irradiation	12	0
				10krad(Si)	12	0
				30krad(Si)	12	0
				50krad(Si)	12	0
				75krad(Si)	12	0
				100krad(Si)	12	0
				Anneal	12	0
ISL70061SEH	72	Biased	6	Pre-irradiation	6	0
				30krad(Si)	6	0
				50krad(Si)	6	0
				100krad(Si)	6	0
				150krad(Si)	6	0
				Anneal	6	0

Table 1. Attributes Data (Continued)

Part	Dose Rate (rad(Si)/s)	Bias	Sample Size	Downpoint	Pass (Note 1)	Fail
ISL70061SEH	72	Grounded	6	Pre-irradiation	6	0
				30krad(Si)	6	0
				50krad(Si)	6	0
				100krad(Si)	6	0
				150krad(Si)	6	0
				Anneal	6	0

Note:

1. A pass indicates a sample that passes all post-irradiation SMD limits.

2.2 Variables Data

Figures 3 through 13 show data for key parameters at all downpoints. The plots show the parameter median as a function of total dose for each of the irradiation conditions and the subsequent anneal. All samples showed excellent stability over irradiation and anneal, with no observed dose rate or bias sensitivity. We elected to plot the 3.0V/3.6V and 5.5V supply cases on the same set of axes for each of these plots as there was little difference between the two.

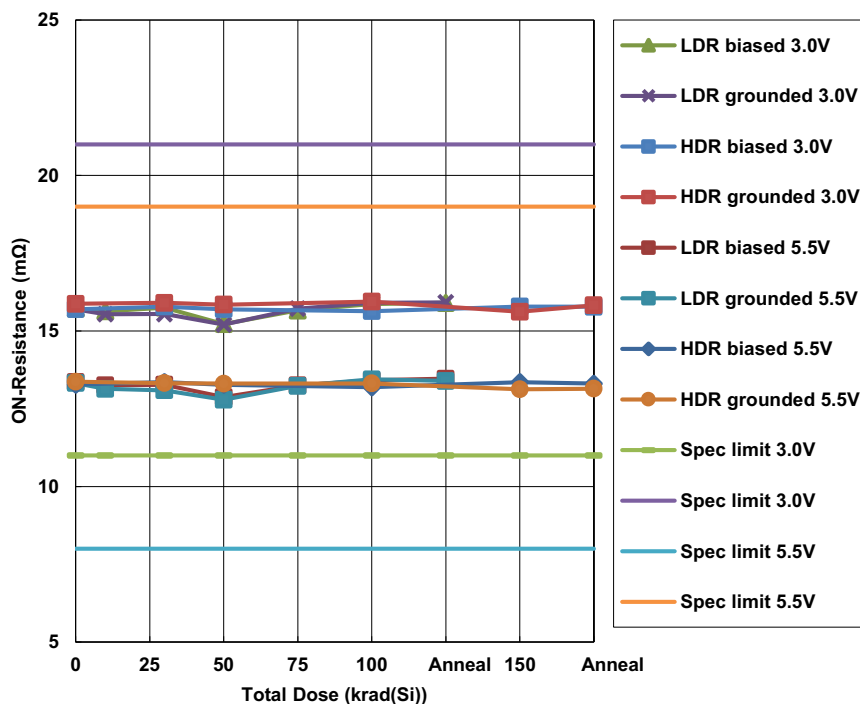


Figure 3. ISL70061SEH switch ON-resistance, 3.0V and 5.5V supply voltage, as a function of total dose irradiation at LDR and HDR for the biased and unbiased cases. The irradiations were followed by a high temperature biased anneal at 100°C for 168 hours. The LDR was 0.01rad(Si)/s and the HDR was 72rad(Si)/s. Sample sizes are given in Table 1. The post-irradiation SMD limits are 11mΩ to 21mΩ (3V supply) and 8mΩ to 19mΩ (5.5V supply).

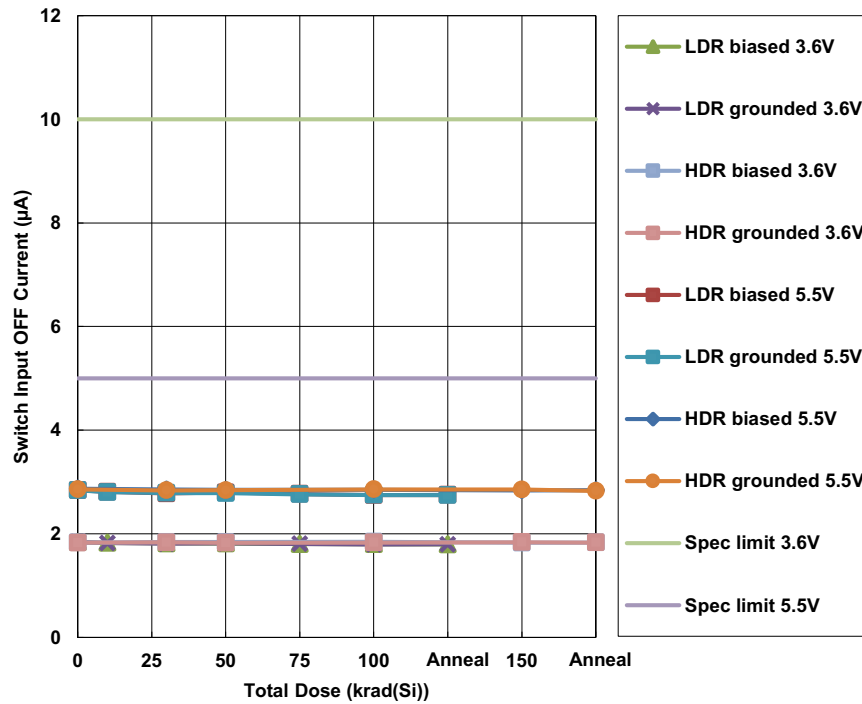


Figure 4. ISL70061SEH switch input OFF current, 3.6V and 5.5V supply voltage, as a function of total dose irradiation at LDR and HDR for the biased and unbiased cases. The irradiations were followed by a high temperature biased anneal at 100°C for 168 hours. The LDR was 0.01rad(Si)/s and the HDR was 72rad(Si)/s. Sample sizes are given in [Table 1](#). The post-irradiation SMD limits are 5µA maximum (3.6V supply) and 10µA maximum (5.5V supply).

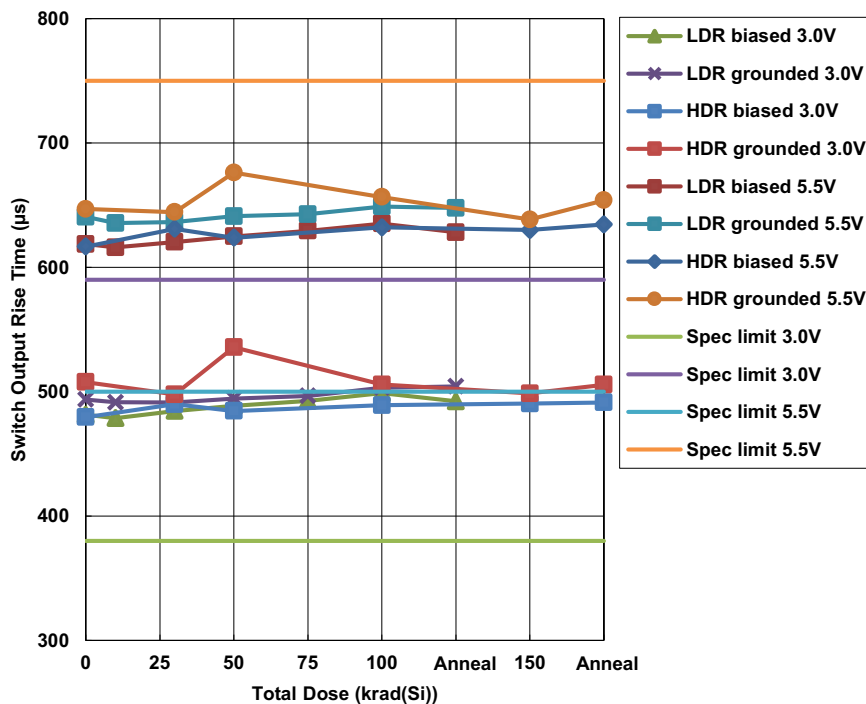


Figure 5. ISL70061SEH switch output rise time, 3.0V and 5.5V supply voltage, as a function of total dose irradiation at LDR and HDR for the biased and unbiased cases. The irradiations were followed by a high temperature biased anneal at 100°C for 168 hours. The LDR was 0.01rad(Si)/s and the HDR was 72rad(Si)/s. Sample sizes are given in [Table 1](#). The post-irradiation SMD limits are 380µs to 590µs (3.0V supply) and 500µs to 750µs (5.5V supply).

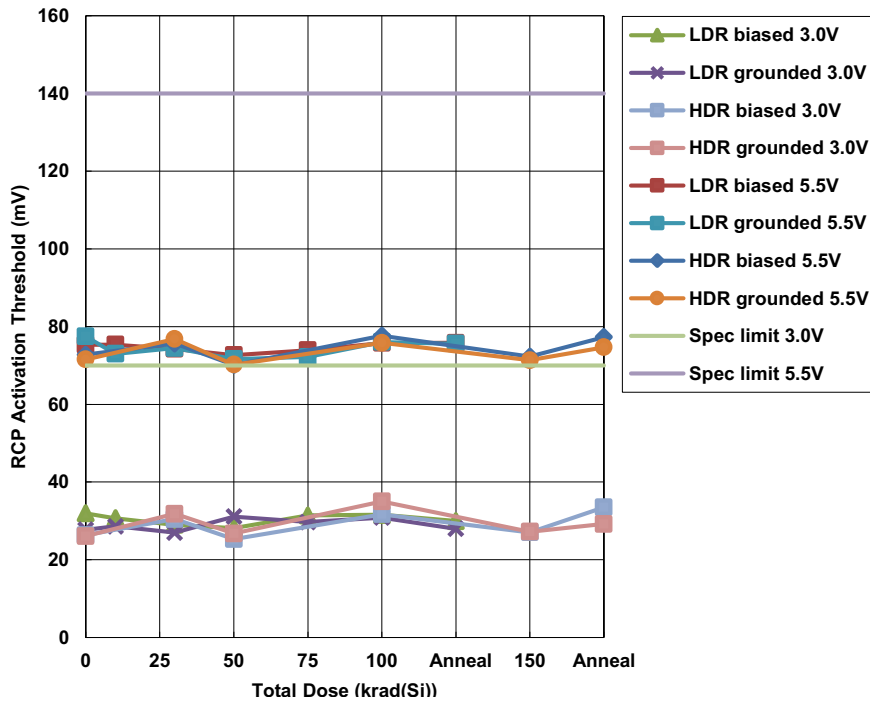


Figure 6. ISL70061SEH Reverse Current Protection (RCP) activation threshold (enter), 3.0V and 5.5V supply voltage, as a function of total dose irradiation at LDR and HDR for the biased and unbiased cases. The irradiations were followed by a high temperature biased anneal at 100°C for 168 hours. The LDR was 0.01rad(Si)/s and the HDR was 72rad(Si)/s. Sample sizes are given in [Table 1](#). The post-irradiation SMD limits are 70mV maximum (3.0V supply) and 140mV maximum (5.5V supply).

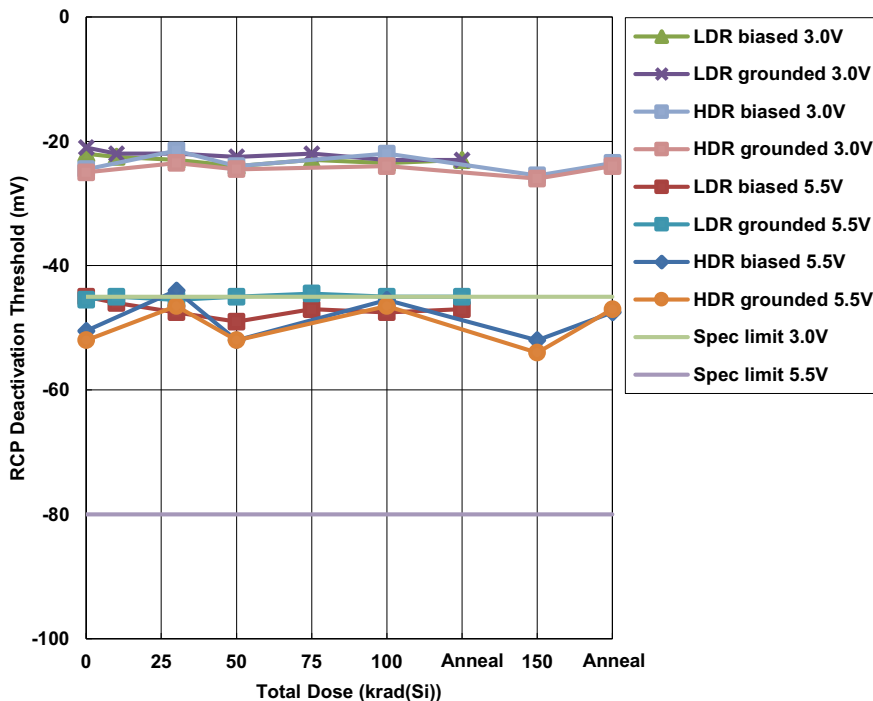


Figure 7. ISL70061SEH Reverse Current Protection (RCP) deactivation threshold (exit), 3.0V and 5.5V supply voltage, as a function of total dose irradiation at LDR and HDR for the biased and unbiased cases. The irradiations were followed by a high temperature biased anneal at 100°C for 168 hours. The LDR was 0.01rad(Si)/s and the HDR was 72rad(Si)/s. Sample sizes are given in [Table 1](#). The post-irradiation SMD limits are -45mV minimum (3.0V supply) and -80mV minimum (5.5V supply).

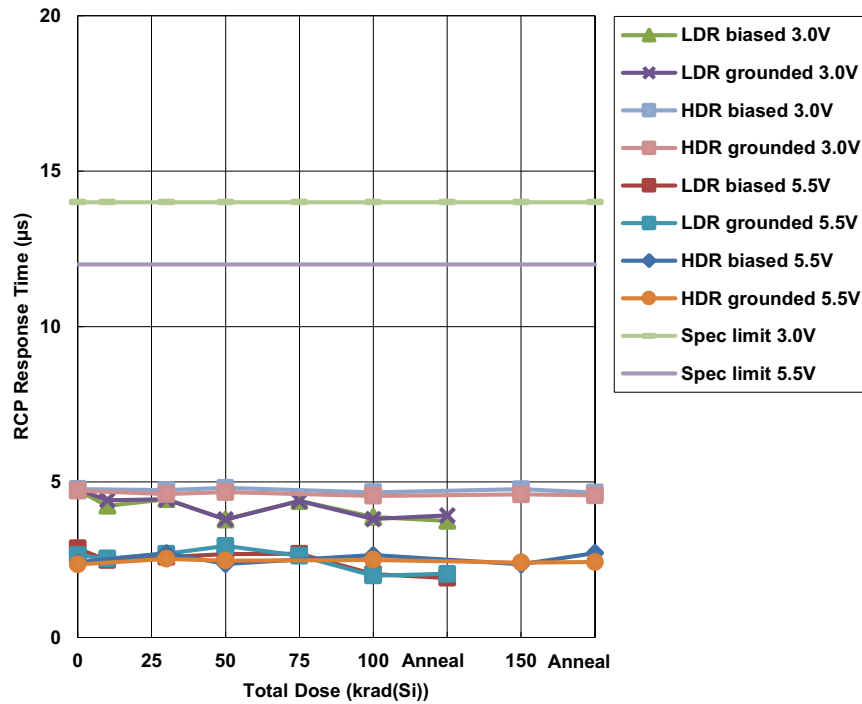


Figure 8. ISL70061SEH Reverse Current Protection (RCP) response time, 3.0V and 5.5V supply voltage, as a function of total dose irradiation at LDR and HDR for the biased and unbiased cases. The irradiations were followed by a high temperature biased anneal at 100°C for 168 hours. The LDR was 0.01rad(Si)/s and the HDR was 72rad(Si)/s. Sample sizes are given in [Table 1](#). The post-irradiation SMD limits are 14µs maximum (3.0V supply) and 12µs maximum (5.5V supply).

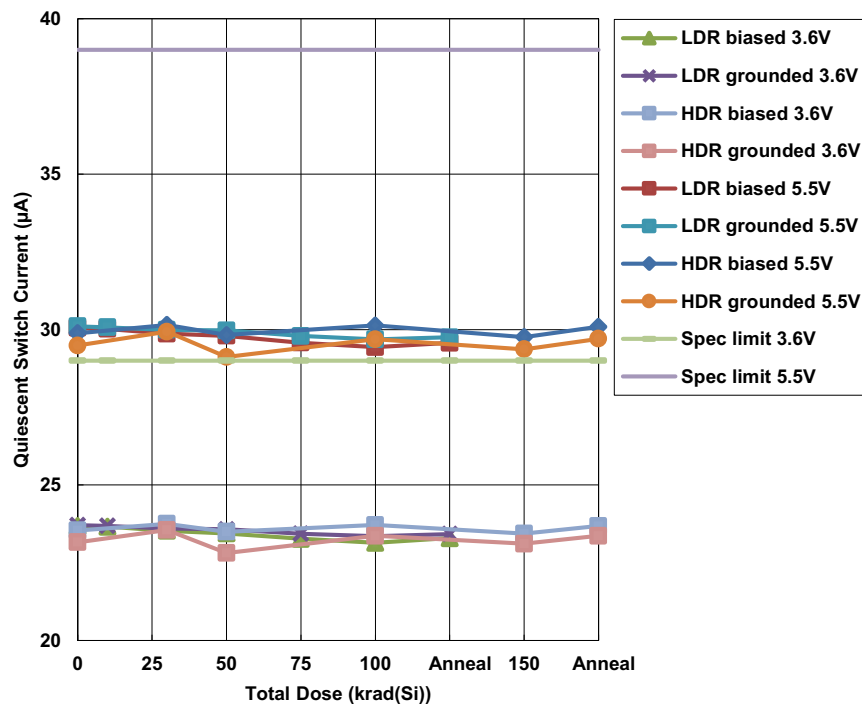


Figure 9. ISL70061SEH quiescent switch current, 3.6V and 5.5V supply voltage, as a function of total dose irradiation at LDR and HDR for the biased and unbiased cases. The irradiations were followed by a high temperature biased anneal at 100°C for 168 hours. The LDR was 0.01rad(Si)/s and the HDR was 72rad(Si)/s. Sample sizes are given in [Table 1](#). The post-irradiation SMD limits are 29µA maximum (3.6V supply) and 39µA maximum (5.5V supply).

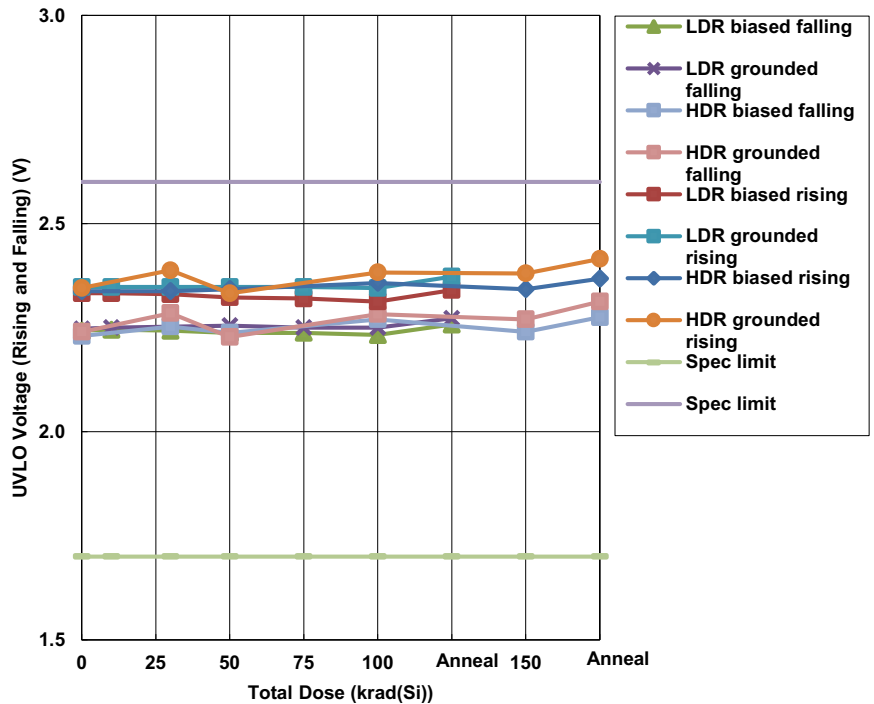


Figure 10. ISL70061SEH Undervoltage Lockout (UVLO) rising and falling threshold voltage as a function of total dose irradiation at LDR and HDR for the biased and unbiased cases. The irradiations were followed by a high temperature biased anneal at 100°C for 168 hours. The LDR was 0.01rad(Si)/s and the HDR was 72rad(Si)/s. Sample sizes are given in [Table 1](#). The post-irradiation SMD limits for both parameters are 1.7V to 2.6V.

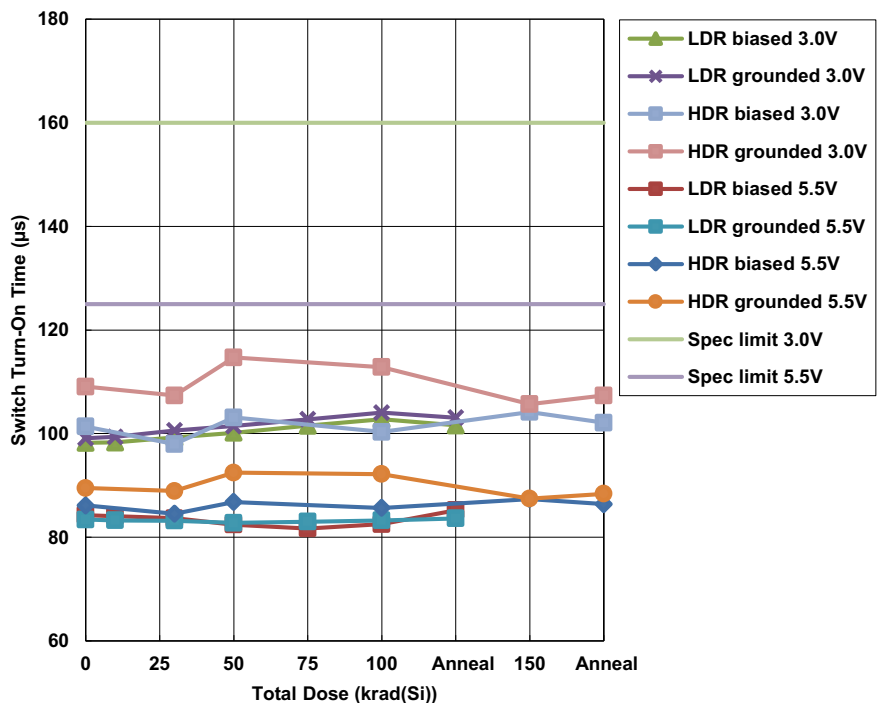


Figure 11. ISL70061SEH switch turn-on time, 3.0V and 5.5V supply voltage, as a function of total dose irradiation at LDR and HDR for the biased and unbiased cases. The irradiations were followed by a high temperature biased anneal at 100°C for 168 hours. The LDR was 0.01rad(Si)/s and the HDR was 72rad(Si)/s. Sample sizes are given in [Table 1](#). The post-irradiation SMD limits are 160µs maximum (3.0V supply) and 125µs (5.5V supply).

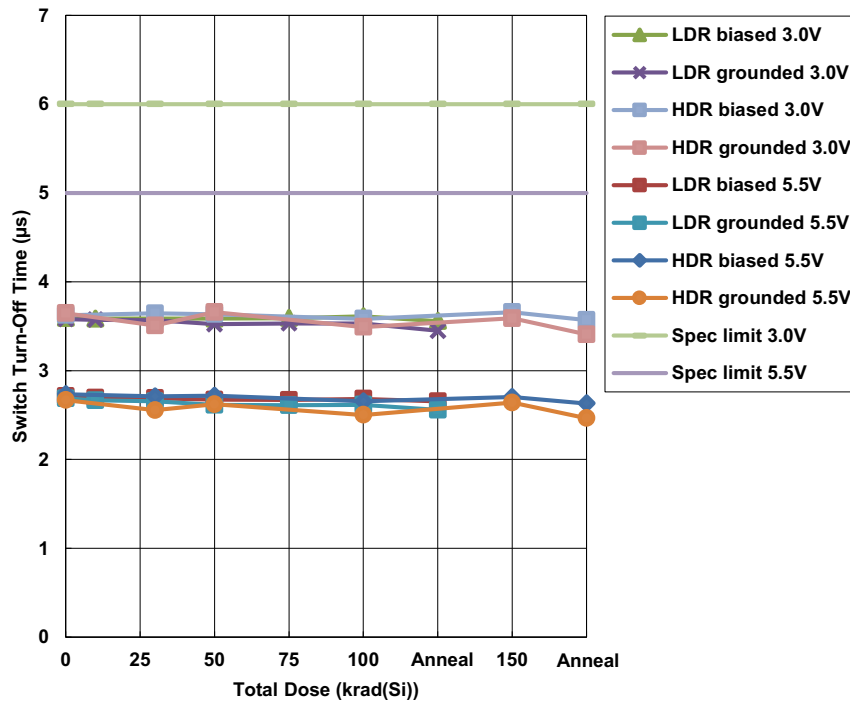


Figure 12. ISL70061SEH switch turn-off time, 3.0V and 5.5V supply voltage, as a function of total dose irradiation at LDR and HDR for the biased and unbiased cases. The irradiations were followed by a high temperature biased anneal at 100°C for 168 hours. The LDR was 0.01rad(Si)/s and the HDR was 72rad(Si)/s. Sample sizes are given in [Table 1](#). The post-irradiation SMD limits are 6µs maximum (3.0V supply) and 5µs maximum (5.5V supply).

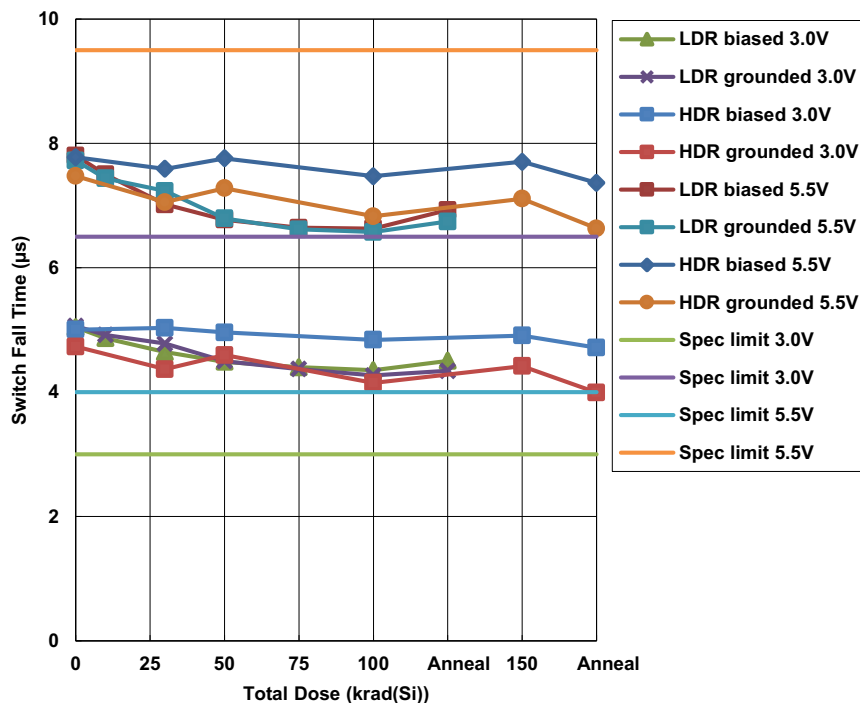


Figure 13. ISL70061SEH switch fall time, 3.0V and 5.5V supply voltage, as a function of total dose irradiation at LDR and HDR for the biased and unbiased cases. The irradiations were followed by a high temperature biased anneal at 100°C for 168 hours. The LDR was 0.01rad(Si)/s and the HDR was 72rad(Si)/s. Sample sizes are given in [Table 1](#). The post-irradiation SMD limits are 3µs to 6.5µs (3.0V supply) and 4µs to 9.5µs maximum (5.5V supply).

3. Discussion and Conclusion

This document reports the results of total gamma dose characterization testing of the ISL70061SEH and ISL73061SEH PMOS load switches. Samples were tested at low and high dose rate under biased and unbiased conditions, as outlined in MIL-STD-883 Test Method 1019, to a total dose of 100krad(Si) at LDR and 150krad(Si) at HDR. All irradiations were followed by a 100°C biased high temperature anneal for 168 hours.

All samples showed good stability over irradiation and anneal, with no observed LDR sensitivity (or HDR sensitivity, for that matter). No differences between biased and unbiased irradiation were noted, and the part is not considered bias sensitive. A detailed discussion of the TID response of the plotted parameters is omitted as a quick inspection of the figures shows that there was very little change. For that same reason we elected to plot the 3.0V/3.6V and 5.5V supply cases on the same set of axes, as there was little difference between the two.

4. Appendix

Table 2. Reported Parameters with Corresponding SMD Post-Irradiation Limits

Figure	Parameter	Low Limit	High Limit	Units	Notes
3	Switch ON-Resistance	11.0	21.0	mΩ	3.0V supply
		8.0	19.0	mΩ	5.5V supply
4	OFF Switch Current	-	5	μA	3.6V supply
		-	10	μA	5.5V supply
5	Switch Output Rise Time	380	590	μs	3.0V supply
		500	750	μs	5.5V supply
6	Reverse Voltage Threshold, Enter	-	70	mV	3.0V supply
		-	140	mV	5.5V supply
7	Reverse Voltage Threshold, Exit	-	-45	mV	3.0V supply
		-	-80	mV	5.5V supply
8	Reverse Current Response Time	-	14	μs	3.0V supply
		-	12	μs	5.5V supply
9	Quiescent Switch Current	-	29	μA	3.6V supply
		-	39	μA	5.5V supply
10	UVLO Threshold	1.7	2.6	V	Rising threshold
		1.7	2.6	V	Falling threshold
11	Switch Turn-On Time	-	160	μs	3.0V supply
		-	125	μs	5.5V supply
12	Switch Turn-Off Time	-	6	μs	3.0V supply
		-	5	μs	5.5V supply
13	Switch Fall Time	3	6.5	μs	3.0V supply
		4	9.5	μs	5.5V supply

5. Revision History

Rev.	Date	Description
1.00	Nov.15.19	Initial release

IMPORTANT NOTICE AND DISCLAIMER

RENESAS ELECTRONICS CORPORATION AND ITS SUBSIDIARIES (“RENESAS”) PROVIDES TECHNICAL SPECIFICATIONS AND RELIABILITY DATA (INCLUDING DATASHEETS), DESIGN RESOURCES (INCLUDING REFERENCE DESIGNS), APPLICATION OR OTHER DESIGN ADVICE, WEB TOOLS, SAFETY INFORMATION, AND OTHER RESOURCES “AS IS” AND WITH ALL FAULTS, AND DISCLAIMS ALL WARRANTIES, EXPRESS OR IMPLIED, INCLUDING, WITHOUT LIMITATION, ANY IMPLIED WARRANTIES OF MERCHANTABILITY, FITNESS FOR A PARTICULAR PURPOSE, OR NON-INFRINGEMENT OF THIRD PARTY INTELLECTUAL PROPERTY RIGHTS.

These resources are intended for developers skilled in the art designing with Renesas products. You are solely responsible for (1) selecting the appropriate products for your application, (2) designing, validating, and testing your application, and (3) ensuring your application meets applicable standards, and any other safety, security, or other requirements. These resources are subject to change without notice. Renesas grants you permission to use these resources only for development of an application that uses Renesas products. Other reproduction or use of these resources is strictly prohibited. No license is granted to any other Renesas intellectual property or to any third party intellectual property. Renesas disclaims responsibility for, and you will fully indemnify Renesas and its representatives against, any claims, damages, costs, losses, or liabilities arising out of your use of these resources. Renesas' products are provided only subject to Renesas' Terms and Conditions of Sale or other applicable terms agreed to in writing. No use of any Renesas resources expands or otherwise alters any applicable warranties or warranty disclaimers for these products.

(Rev.1.0 Mar 2020)

Corporate Headquarters

TOYOSU FORESIA, 3-2-24 Toyosu,
Koto-ku, Tokyo 135-0061, Japan
www.renesas.com

Contact Information

For further information on a product, technology, the most up-to-date version of a document, or your nearest sales office, please visit:
www.renesas.com/contact/

Trademarks

Renesas and the Renesas logo are trademarks of Renesas Electronics Corporation. All trademarks and registered trademarks are the property of their respective owners.