
Dual Protocol Applications

Programmable vs Standard Transceivers

TB508
Rev.0.00
May 1, 2017

Abstract

The dwindling desire for versatility in Dual Protocol (DP) applications supporting RS-485 and RS-232 signaling raises the question whether dual protocol transceivers still provide advantages over dedicated RS-485 and RS-232 transceivers. This tech brief compares three designs for a single-channel RS-485 and a triple channel RS-232 dual protocol interface configuration.

Contents

1. Programmable Dual Protocol Transceivers	2
2. Fixed Dual Protocol Transceivers	4
3. Standard Transceivers	5

List of Figures

Figure 1. Possible Configurations of an Interface Module Using Two ISL3333 Devices	2
Figure 2. Two ISL3333 Devices Supporting One RS-485 and Three RS-232 Channels	3
Figure 3. Two Fixed-Port ISL33337 Devices with the Same Configuration but Half the Cost	4
Figure 4. Two Standard Transceivers Accomplishing the Same Task at a Fraction of the Cost	5

1. Programmable Dual Protocol Transceivers

The ISL3333 is one of the most versatile dual protocol transceivers in the industry. It includes two interface ports, each of which is configurable for one full-duplex RS-485 transceiver or two RS-232 transceivers. With features like the programmable selection of speed grades (20Mbps, 460kbps, 115kbps), the individual enable/disable function for drivers and receivers, as well as Loopback and Shutdown modes, the ISL3333 is an excellent universal dual protocol transceiver.

Many industrial interface modules use two ISL3333 devices to allow for a wider range of interface configurations. The use of two of these flagship devices requires two quadruple UARTS (or QUARTS), to drive the many configurations, ranging from four RS-485 transceivers up to eight RS-232 transceivers, and anything in between. [Figure 1](#) shows the range of possible configurations.

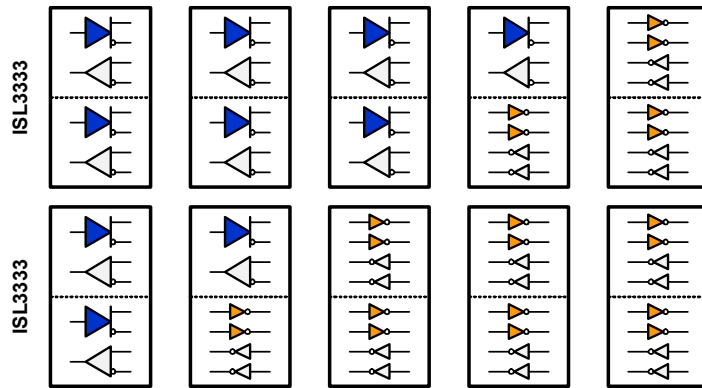


Figure 1. Possible Configurations of an Interface Module Using Two ISL3333 Devices

An odd configuration, but also the most commonly used, is that of one RS-485 and three RS-232 channels shown in [Figure 2](#). Here, module vendors seem to resort to hardwiring most of the configuration pins, so that an entire port plus charge pump circuitry is wasted in the RS-485 mode operating transceiver, while another RS-232 channel remains unused in the RS-232 mode operating device.

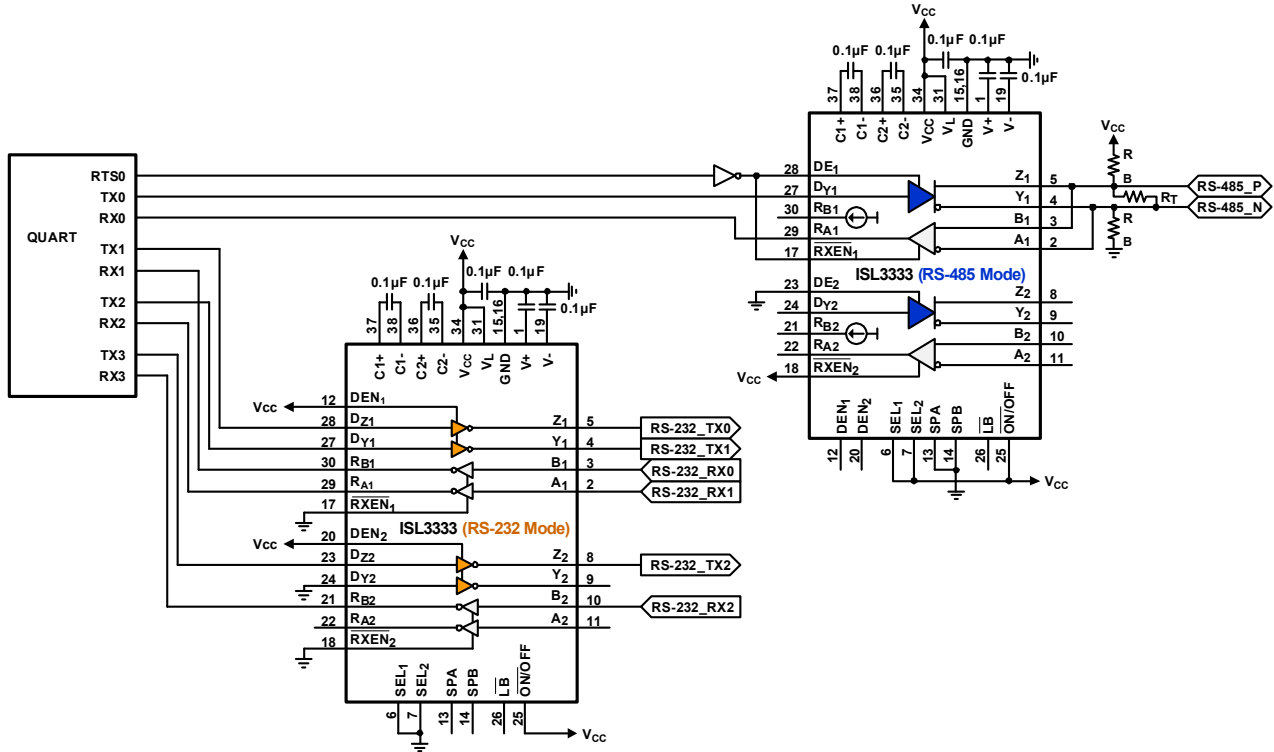


Figure 2. Two ISL3333 Devices Supporting One RS-485 and Three RS-232 Channels

2. Fixed Dual Protocol Transceivers

The lost need for versatility became the design motivation for newer, simpler dual protocol transceivers: the ISL33334 and ISL33337. These devices have fixed ports and fewer feature selections, but come at almost half the price. [Figure 3](#) shows how the 1 x RS-485/3 x RS-232 configuration is accomplished with the ISL33337 and a single channel standard RS-232 transceiver.

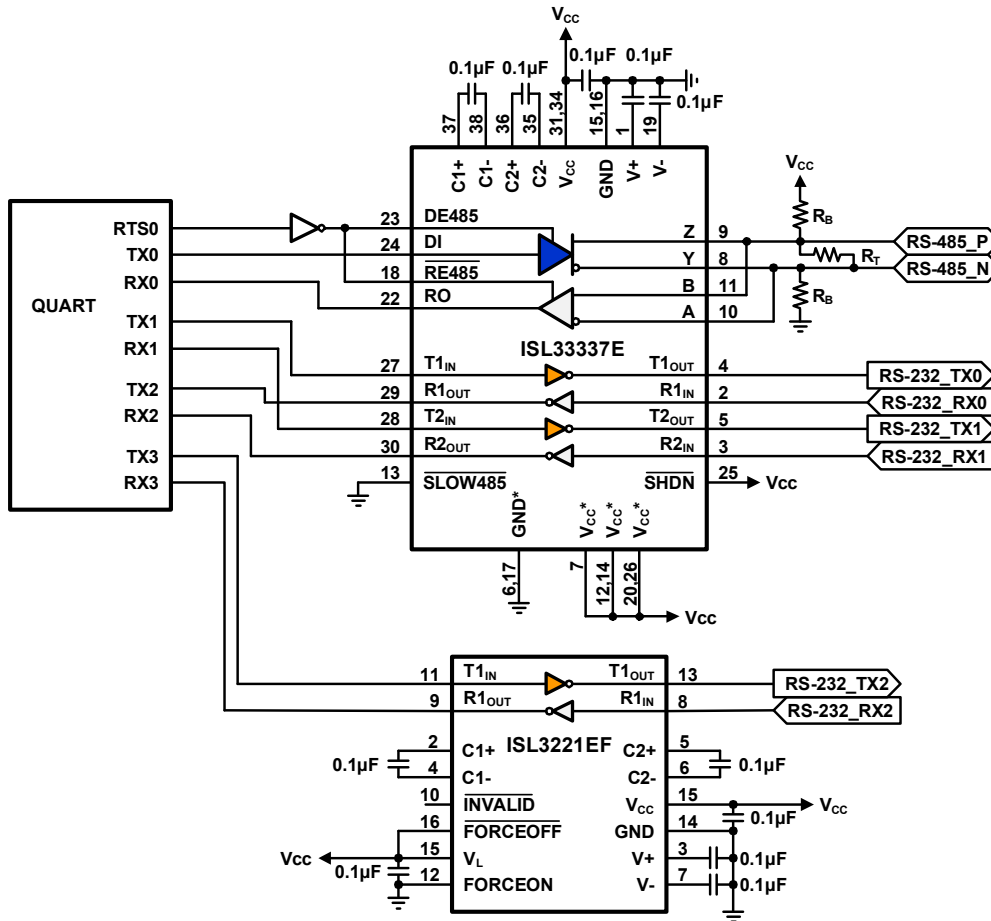


Figure 3. Single Fixed-Port ISL33337 Device Plus Single RS-232 Transceiver Allowing the Same Configuration but at Half the Cost

As this circuit allows for no further expansion, it bears the question: If hardwiring diminishes configurability, why not use dedicated transceivers that come at a much lower cost?

3. Standard Transceivers

Single RS-485 transceivers and triple RS-232 transceivers are readily available, at various speed grades and small size packages. [Figure 4](#) shows an example of a much simpler but most efficient dual protocol interface using the ISL3175 and the ISL83387 transceivers.

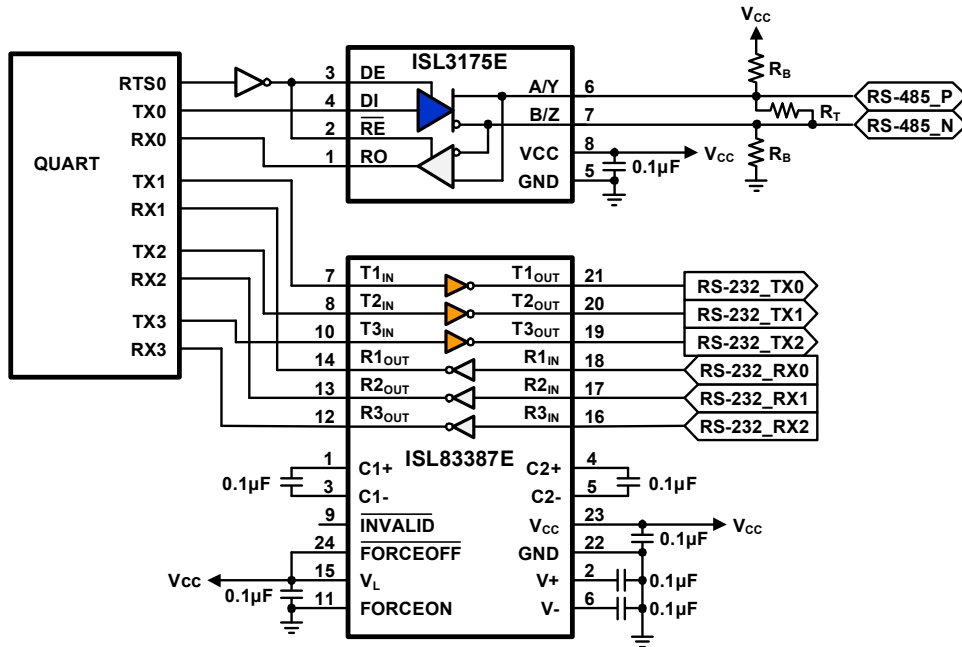


Figure 4. Two Standard Transceivers Accomplishing the Same Task at a Fraction of the Cost

[Table 1](#) compares the three previous solutions by speed, footprint, and price. It turns out that, with the exception of versatility, the use of dedicated transceivers provides the most efficient solution, which is equal in speed performance, but lower in footprint and cost.

Table 1. Solution Comparison

Solution	Protocol Type	RS-232 Speed (kbps)	RS-485 Speed (kbps)	Footprint	Price (1ku)	Total Footprint	Total Cost (1ku)
1) 2 x ISL3333IRZ	RS-232/RS-485	250	460	6mmx6mm	\$4.27	72mm ²	\$8.54
2) ISL33337 + ISL3221	RS-232/RS-485	250	115	6mmx6mm	\$1.62	58mm ²	\$2.18
	RS-232	250	250	5mmx4.4mm	\$0.56		
3) ISL3175EIUZ + ISL83387EIV	RS-485	-	500	3mmx3mm	\$0.65	43.3mm ²	\$1.62
	RS-232	250	-	4.4mmx7.8mm	\$0.97		

Notice

1. Descriptions of circuits, software and other related information in this document are provided only to illustrate the operation of semiconductor products and application examples. You are fully responsible for the incorporation or any other use of the circuits, software, and information in the design of your product or system. Renesas Electronics disclaims any and all liability for any losses and damages incurred by you or third parties arising from the use of these circuits, software, or information.
2. Renesas Electronics hereby expressly disclaims any warranties against and liability for infringement or any other claims involving patents, copyrights, or other intellectual property rights of third parties, by or arising from the use of Renesas Electronics products or technical information described in this document, including but not limited to, the product data, drawings, charts, programs, algorithms, and application examples.
3. No license, express, implied or otherwise, is granted hereby under any patents, copyrights or other intellectual property rights of Renesas Electronics or others.
4. You shall not alter, modify, copy, or reverse engineer any Renesas Electronics product, whether in whole or in part. Renesas Electronics disclaims any and all liability for any losses or damages incurred by you or third parties arising from such alteration, modification, copying or reverse engineering.
5. Renesas Electronics products are classified according to the following two quality grades: "Standard" and "High Quality". The intended applications for each Renesas Electronics product depends on the product's quality grade, as indicated below.
"Standard": Computers; office equipment; communications equipment; test and measurement equipment; audio and visual equipment; home electronic appliances; machine tools; personal electronic equipment; industrial robots; etc.
"High Quality": Transportation equipment (automobiles, trains, ships, etc.); traffic control (traffic lights); large-scale communication equipment; key financial terminal systems; safety control equipment; etc.
Unless expressly designated as a high reliability product or a product for harsh environments in a Renesas Electronics data sheet or other Renesas Electronics document, Renesas Electronics products are not intended or authorized for use in products or systems that may pose a direct threat to human life or bodily injury (artificial life support devices or systems; surgical implantations; etc.), or may cause serious property damage (space system; undersea repeaters; nuclear power control systems; aircraft control systems; key plant systems; military equipment; etc.). Renesas Electronics disclaims any and all liability for any damages or losses incurred by you or any third parties arising from the use of any Renesas Electronics product that is inconsistent with any Renesas Electronics data sheet, user's manual or other Renesas Electronics document.
6. When using Renesas Electronics products, refer to the latest product information (data sheets, user's manuals, application notes, "General Notes for Handling and Using Semiconductor Devices" in the reliability handbook, etc.), and ensure that usage conditions are within the ranges specified by Renesas Electronics with respect to maximum ratings, operating power supply voltage range, heat dissipation characteristics, installation, etc. Renesas Electronics disclaims any and all liability for any malfunctions, failure or accident arising out of the use of Renesas Electronics products outside of such specified ranges.
7. Although Renesas Electronics endeavors to improve the quality and reliability of Renesas Electronics products, semiconductor products have specific characteristics, such as the occurrence of failure at a certain rate and malfunctions under certain use conditions. Unless designated as a high reliability product or a product for harsh environments in a Renesas Electronics data sheet or other Renesas Electronics document, Renesas Electronics products are not subject to radiation resistance design. You are responsible for implementing safety measures to guard against the possibility of bodily injury, injury or damage caused by fire, and/or danger to the public in the event of a failure or malfunction of Renesas Electronics products, such as safety design for hardware and software, including but not limited to redundancy, fire control and malfunction prevention, appropriate treatment for aging degradation or any other appropriate measures. Because the evaluation of microcomputer software alone is very difficult and impractical, you are responsible for evaluating the safety of the final products or systems manufactured by you.
8. Please contact a Renesas Electronics sales office for details as to environmental matters such as the environmental compatibility of each Renesas Electronics product. You are responsible for carefully and sufficiently investigating applicable laws and regulations that regulate the inclusion or use of controlled substances, including without limitation, the EU RoHS Directive, and using Renesas Electronics products in compliance with all these applicable laws and regulations. Renesas Electronics disclaims any and all liability for damages or losses occurring as a result of your noncompliance with applicable laws and regulations.
9. Renesas Electronics products and technologies shall not be used for or incorporated into any products or systems whose manufacture, use, or sale is prohibited under any applicable domestic or foreign laws or regulations. You shall comply with any applicable export control laws and regulations promulgated and administered by the governments of any countries asserting jurisdiction over the parties or transactions.
10. It is the responsibility of the buyer or distributor of Renesas Electronics products, or any other party who distributes, disposes of, or otherwise sells or transfers the product to a third party, to notify such third party in advance of the contents and conditions set forth in this document.
11. This document shall not be reprinted, reproduced or duplicated in any form, in whole or in part, without prior written consent of Renesas Electronics.
12. Please contact a Renesas Electronics sales office if you have any questions regarding the information contained in this document or Renesas Electronics products.
(Note 1) "Renesas Electronics" as used in this document means Renesas Electronics Corporation and also includes its directly or indirectly controlled subsidiaries.
(Note 2) "Renesas Electronics product(s)" means any product developed or manufactured by or for Renesas Electronics.

(Rev.4.0-1 November 2017)



SALES OFFICES

Renesas Electronics Corporation

<http://www.renesas.com>

Refer to "<http://www.renesas.com/>" for the latest and detailed information.

Renesas Electronics America Inc.

1001 Murphy Ranch Road, Milpitas, CA 95035, U.S.A.
Tel: +1-408-432-8888, Fax: +1-408-434-5351

Renesas Electronics Canada Limited

9251 Yonge Street, Suite 8309 Richmond Hill, Ontario Canada L4C 9T3
Tel: +1-905-237-2004

Renesas Electronics Europe Limited

Dukes Meadow, Millboard Road, Bourne End, Buckinghamshire, SL8 5FH, U.K
Tel: +44-1628-651-700, Fax: +44-1628-651-804

Renesas Electronics Europe GmbH

Arcadiastrasse 10, 40472 Düsseldorf, Germany
Tel: +49-211-6503-0, Fax: +49-211-6503-1327

Renesas Electronics (China) Co., Ltd.

Room 1709 Quantum Plaza, No.27 ZhichunLu, Haidian District, Beijing, 100191 P. R. China
Tel: +86-10-8235-1155, Fax: +86-10-8235-7679

Renesas Electronics (Shanghai) Co., Ltd.

Unit 301, Tower A, Central Towers, 555 Langao Road, Putuo District, Shanghai, 200333 P. R. China
Tel: +86-21-2226-0888, Fax: +86-21-2226-0999

Renesas Electronics Hong Kong Limited

Unit 1601-1611, 16/F., Tower 2, Grand Century Place, 193 Prince Edward Road West, Mongkok, Kowloon, Hong Kong
Tel: +852-2265-6688, Fax: +852 2886-9022

Renesas Electronics Taiwan Co., Ltd.

13F, No. 363, Fu Shing North Road, Taipei 10543, Taiwan
Tel: +886-2-8175-9600, Fax: +886 2-8175-9670

Renesas Electronics Singapore Pte. Ltd.

80 Bendemeer Road, Unit #06-02 Hyflux Innovation Centre, Singapore 339949
Tel: +65-6213-0200, Fax: +65-6213-0300

Renesas Electronics Malaysia Sdn.Bhd.

Unit 1207, Block B, Menara Amcorp, Amcorp Trade Centre, No. 18, Jln Persiaran Barat, 46050 Petaling Jaya, Selangor Darul Ehsan, Malaysia
Tel: +60-3-7955-9390, Fax: +60-3-7955-9510

Renesas Electronics India Pvt. Ltd.

No.777C, 100 Feet Road, HAL 2nd Stage, Indiranagar, Bangalore 560 038, India
Tel: +91-80-67208700, Fax: +91-80-67208777

Renesas Electronics Korea Co., Ltd.

17F, KAMCO Yangjae Tower, 262, Gangnam-daero, Gangnam-gu, Seoul, 06265 Korea
Tel: +82-2-558-3737, Fax: +82-2-558-5338