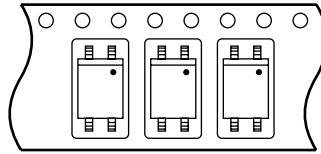


7.4 TAPING PACKING SPECIFICATIONS

7.4.1 4-pin DIP Photocoupler Surface Mount Type (-1 type) Taping Specifications (Unit: mm)

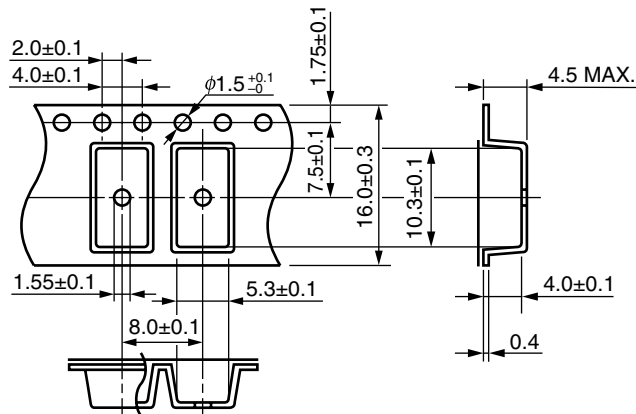
Tape Direction

PS25xxL-1-E3, PS25xxL-1-F3
PS25xxAL-1-E3, PS25xxAL-1-F3
PS25xxBL-1-E3, PS25xxBL-1-F3



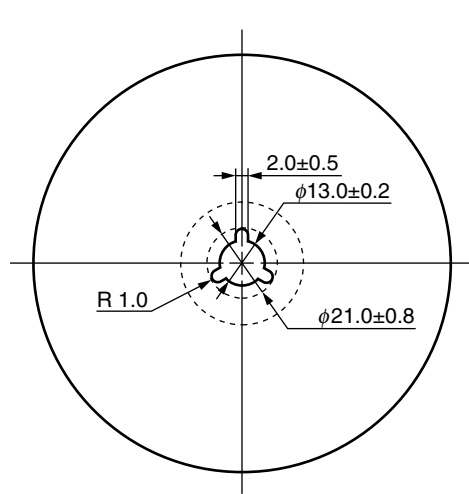
→
Pull-out direction

Outline and Dimensions (Tape)

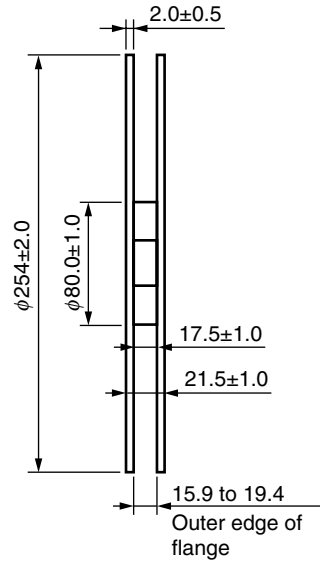


Outline and Dimensions (Reel)

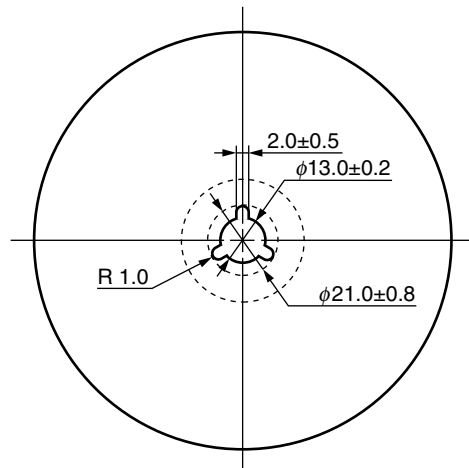
PS25xxL-1-E3
 PS25xxAL-1-E3
 PS25xxBL-1-E3



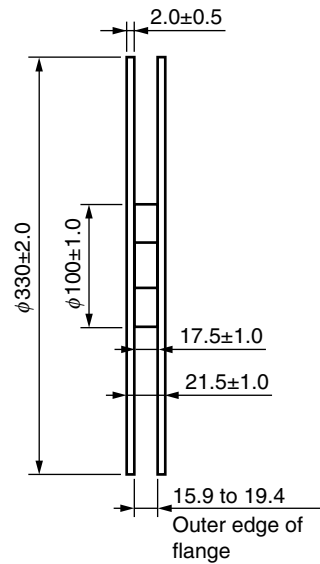
Packing: 1 000 pcs/reel



PS25xxL-1-F3
 PS25xxAL-1-F3
 PS25xxBL-1-F3



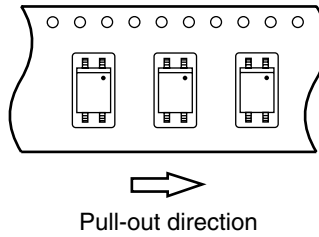
Packing: 2 000 pcs/reel



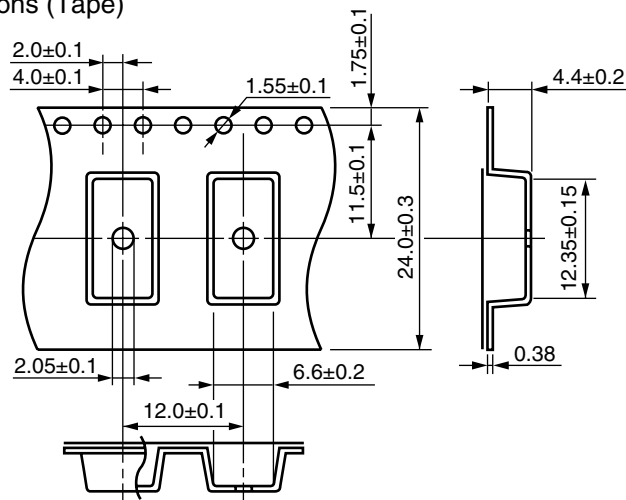
7. 4. 2 4-pin DIP Photocoupler Long Clearance Distance Surface Mount Type (L2 type) Taping Specifications (Unit: mm)

Tape Direction

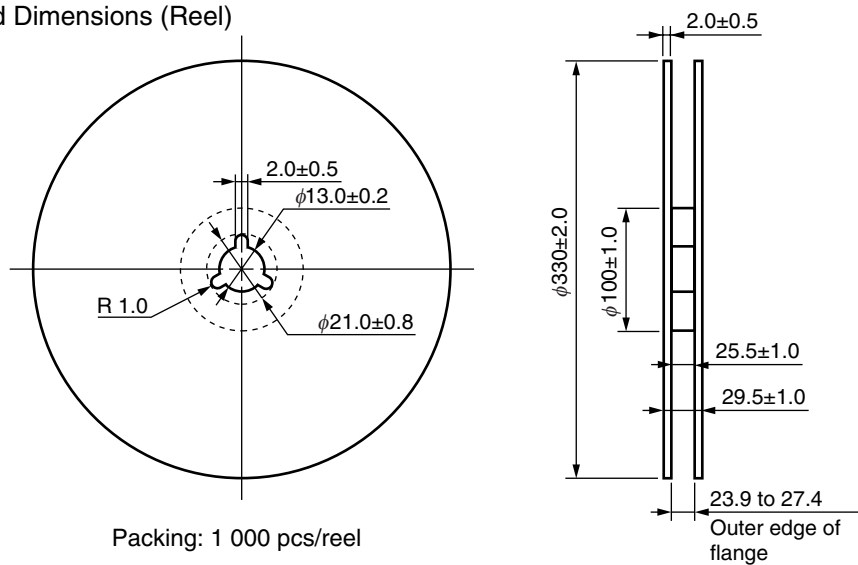
PS25xxL2-1-E3, PS25xxAL2-1-E3
 PS25xxBL2-1-E3
 PS2581L2-E3, PS2581AL2-E3



Outline and Dimensions (Tape)



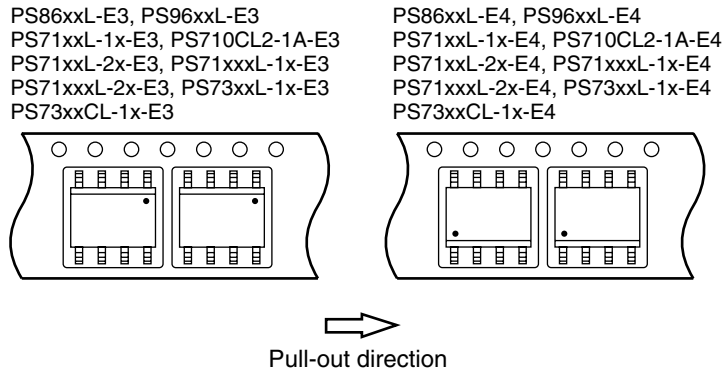
Outline and Dimensions (Reel)



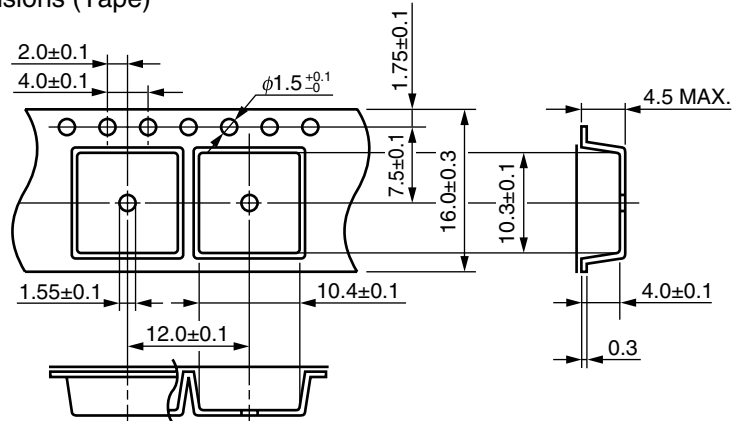
Packing: 1 000 pcs/reel

7. 4. 3 6, 8-pin DIP Photocoupler and Optical Coupled MOS FET Taping Specifications (Unit: mm)

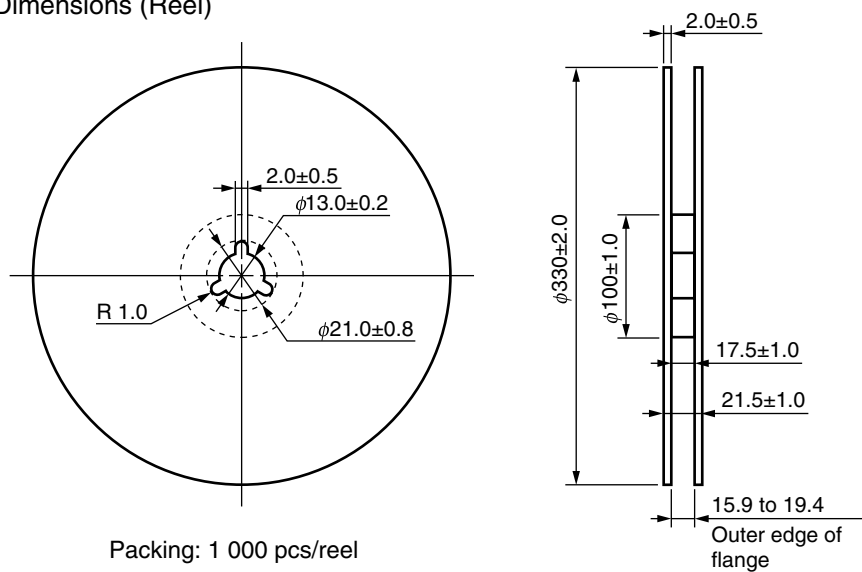
Tape Direction



Outline and Dimensions (Tape)

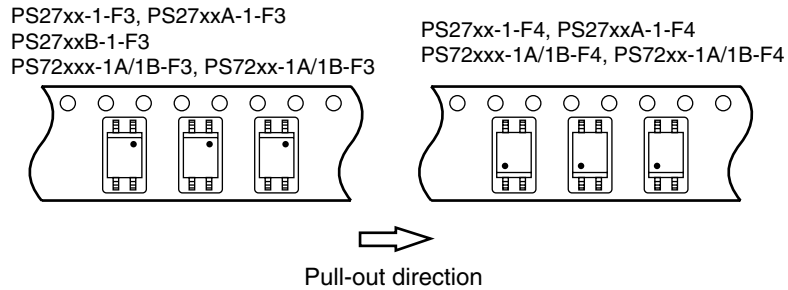


Outline and Dimensions (Reel)

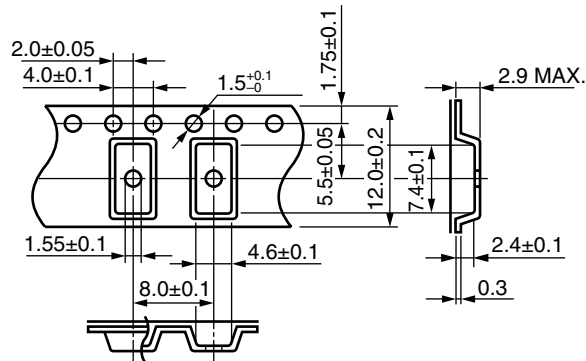


7. 4. 4 4-pin SOP (Pin pitch: 2.54 mm) Photocoupler and Optical Coupled MOS FET Taping Specifications (Unit: mm)

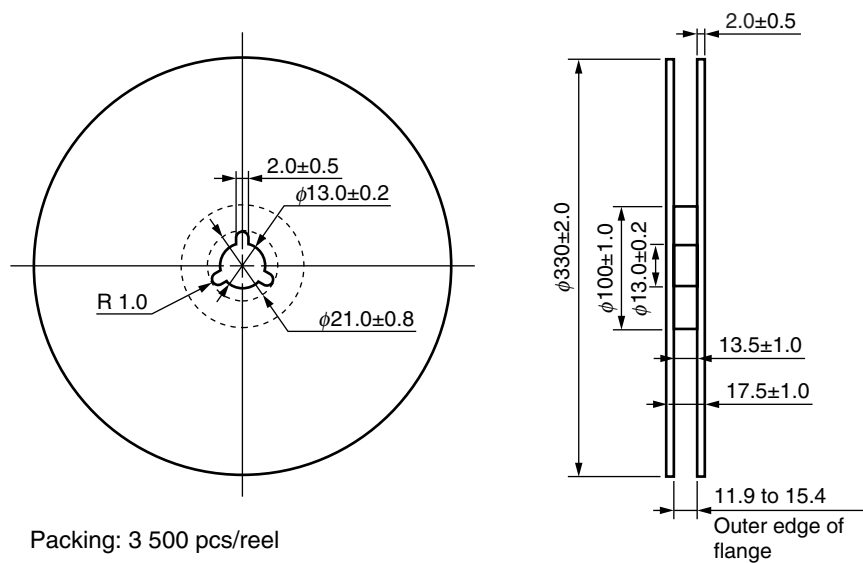
Tape Direction



Outline and Dimensions (Tape)

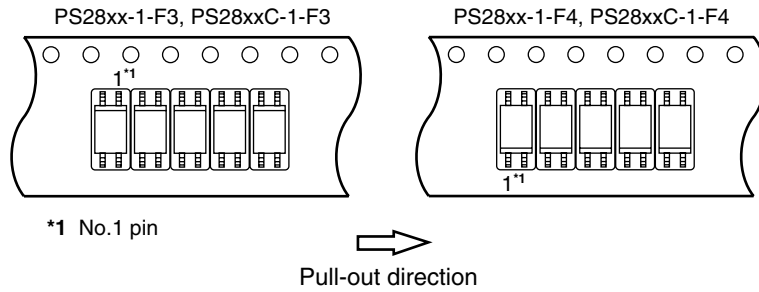


Outline and Dimensions (Reel)

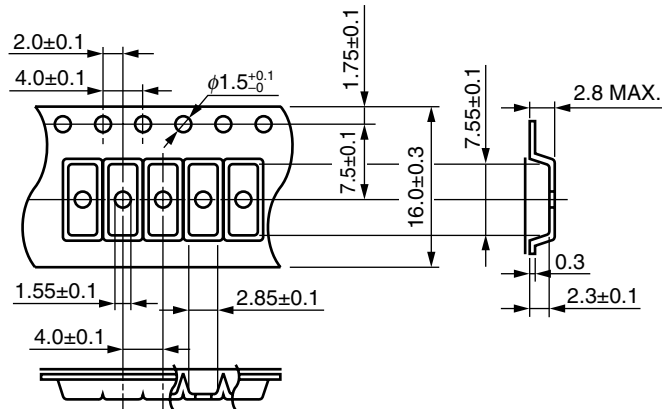


7. 4. 5 4-pin SSOP (Pin pitch: 1.27 mm) Photocoupler Taping Specifications (Unit: mm)

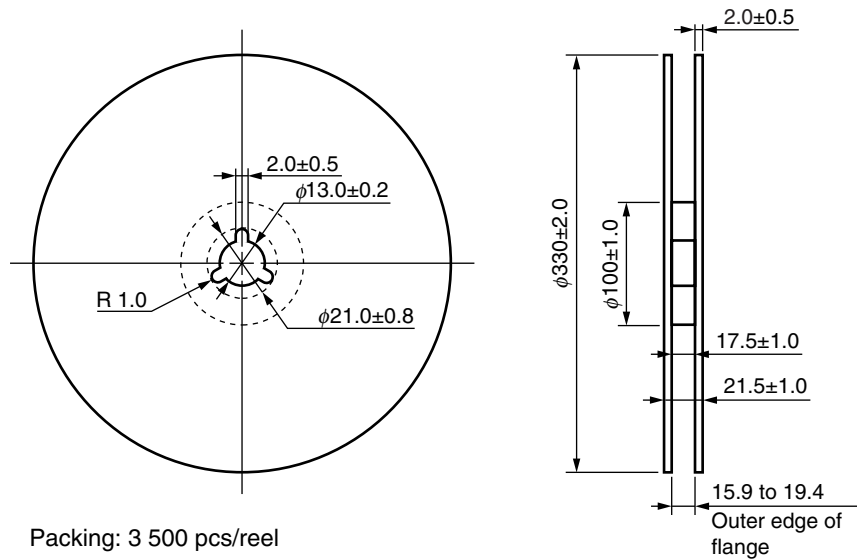
Tape Direction



Outline and Dimensions (Tape)

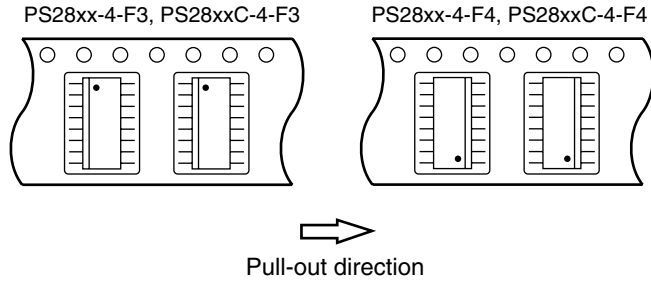


Outline and Dimensions (Reel)

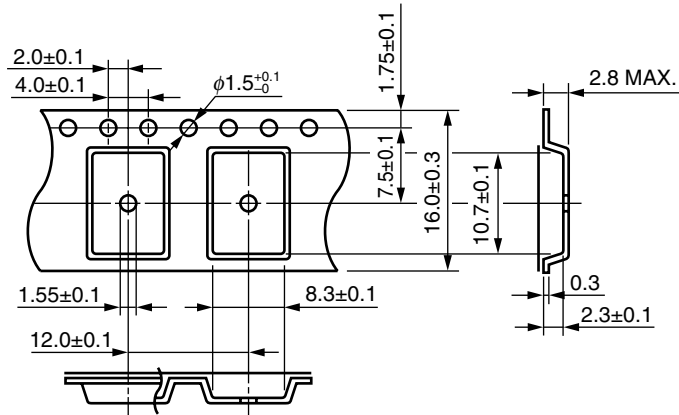


7. 4. 6 16-pin SSOP (Pin pitch: 1.27 mm) Photocoupler Taping Specifications (Unit: mm)

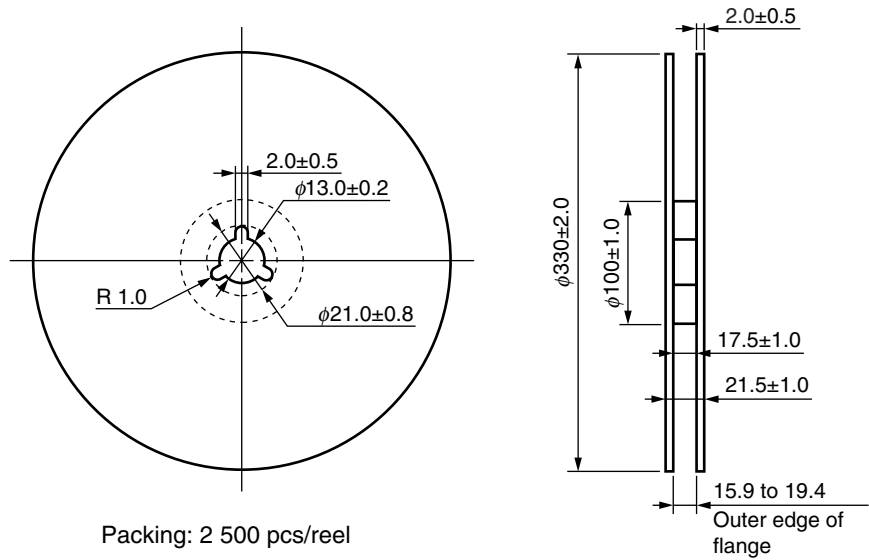
Tape Direction



Outline and Dimensions (Tape)

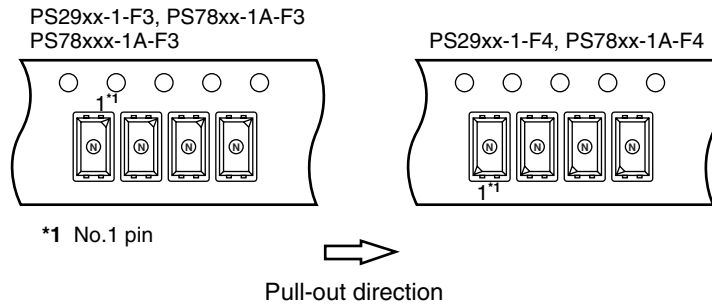


Outline and Dimensions (Reel)

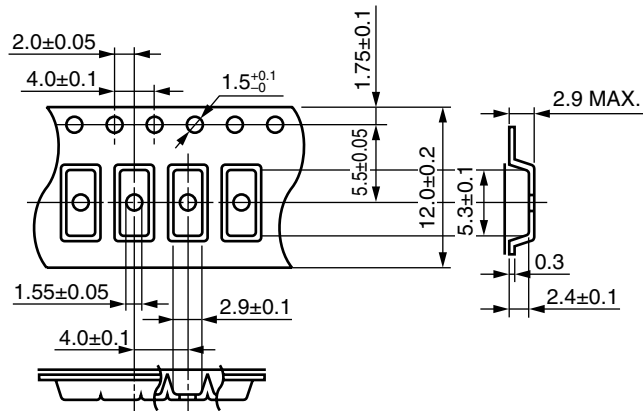


7. 4. 7 4-pin Ultra-small Flat-lead Photocoupler and Optical Coupled MOS FET Taping Specifications
 (Unit: mm)

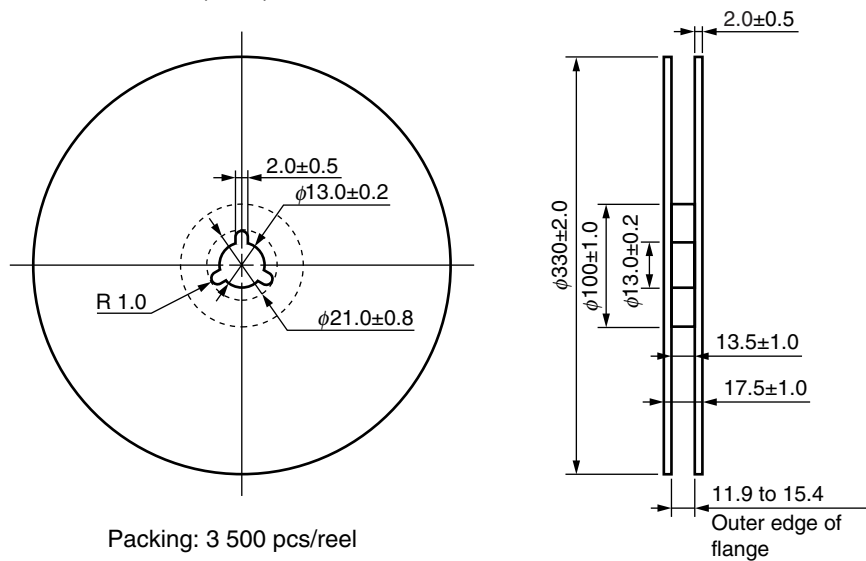
Tape Direction



Outline and Dimensions (Tape)

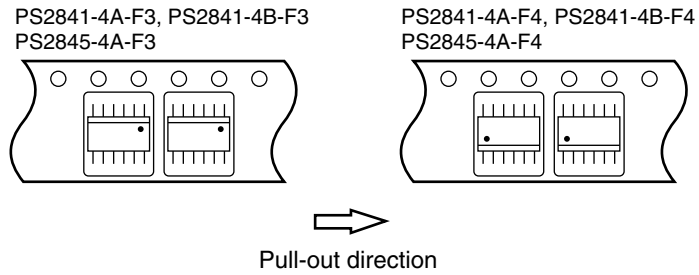


Outline and Dimensions (Reel)

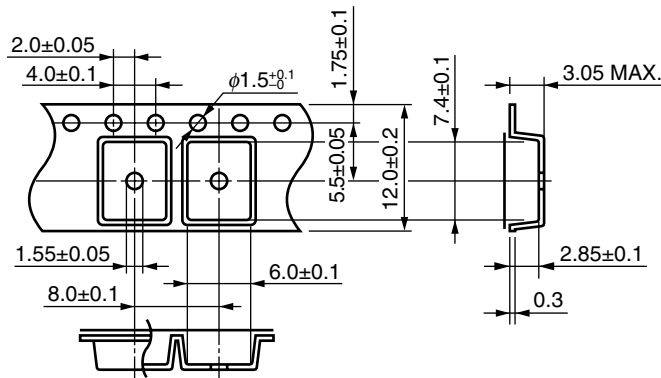


7. 4. 8 12-pin SSOP (Pin pitch: 0.8 mm) Photocoupler Taping Specifications (Unit: mm)

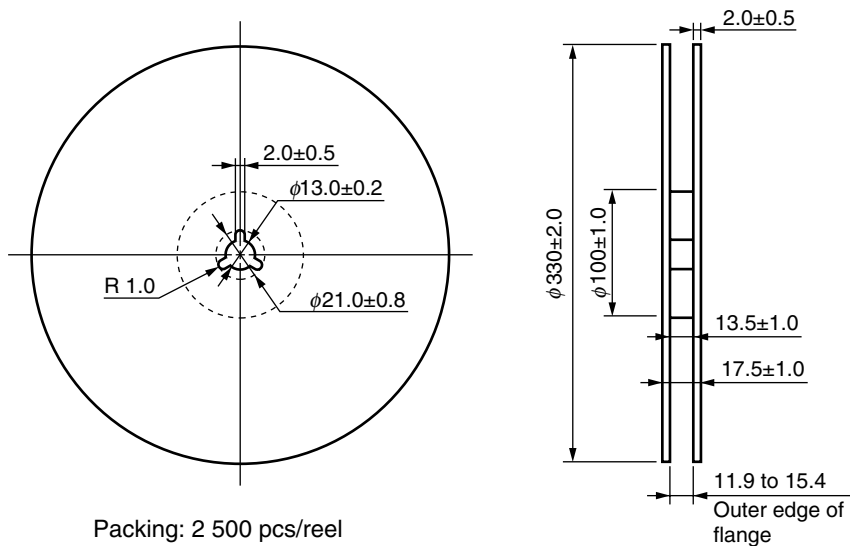
Tape Direction



Outline and Dimensions (Tape)

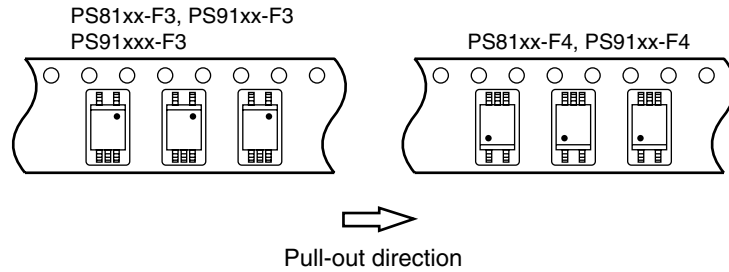


Outline and Dimensions (Reel)

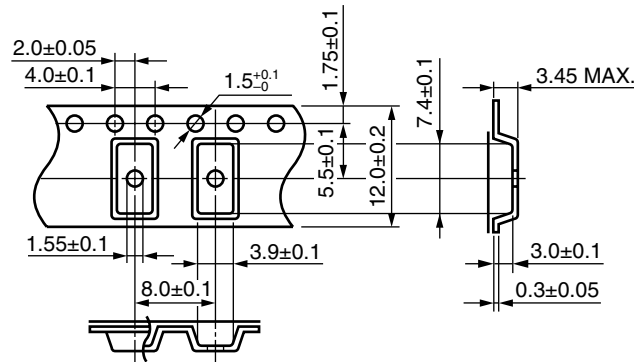


7. 4. 9 5-pin SOP Photocoupler Taping Specifications (Unit: mm)

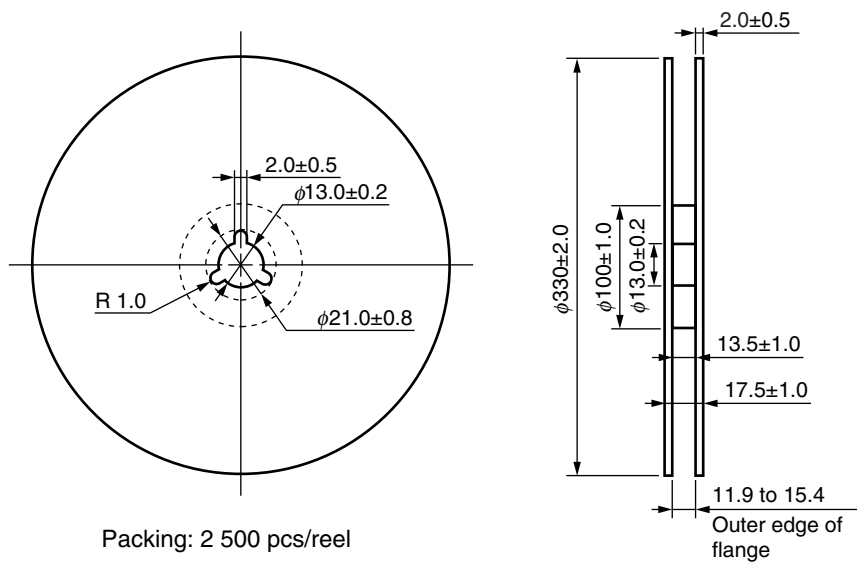
Tape Direction



Outline and Dimensions (Tape)

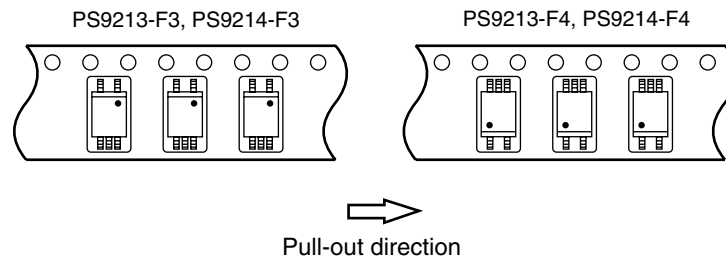


Outline and Dimensions (Reel)

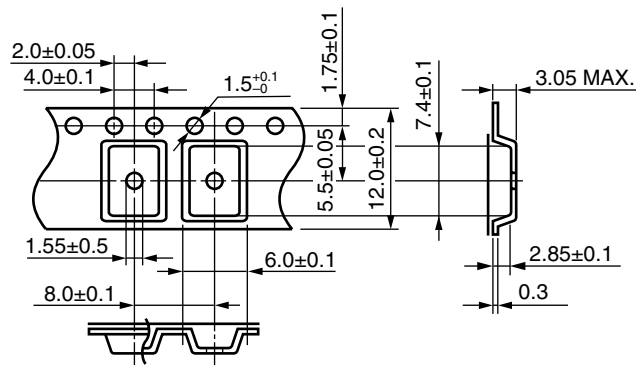


7. 4. 10 5-pin SOP (Air distance: 5.5 mm) Photocoupler Taping Specifications (Unit: mm)

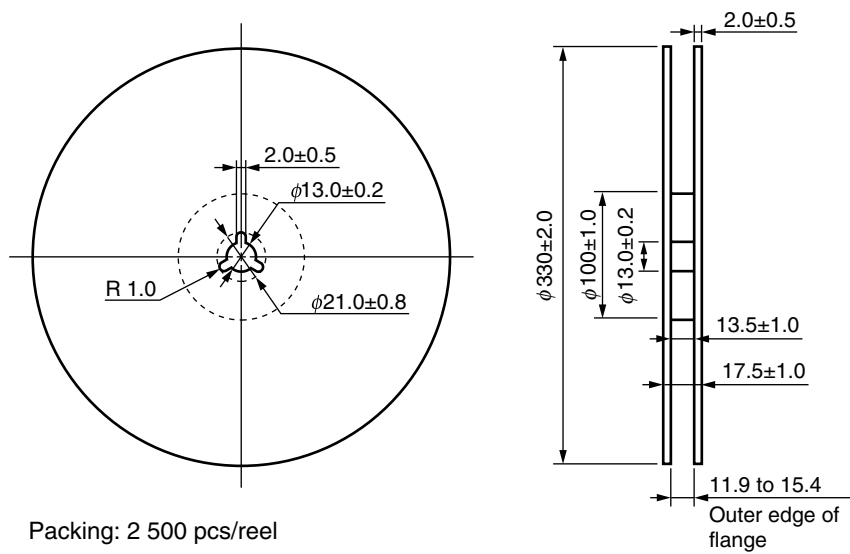
Tape Direction



Outline and Dimensions (Tape)

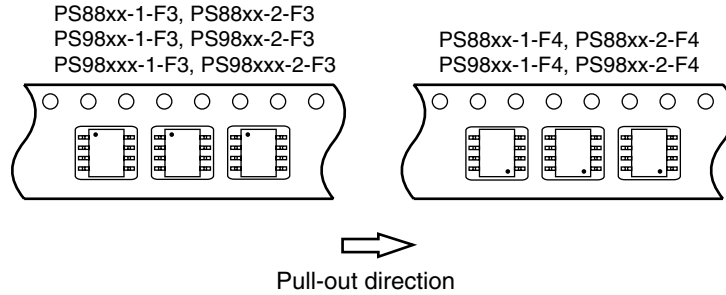


Outline and Dimensions (Reel)

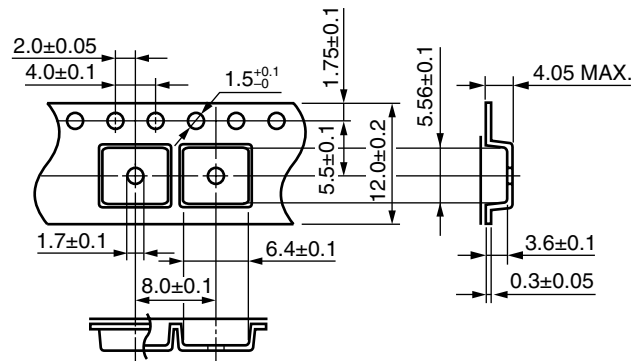


7. 4. 11 8-pin SSOP (Pin pitch: 1.27 mm) Photocoupler Taping Specifications (Unit: mm)

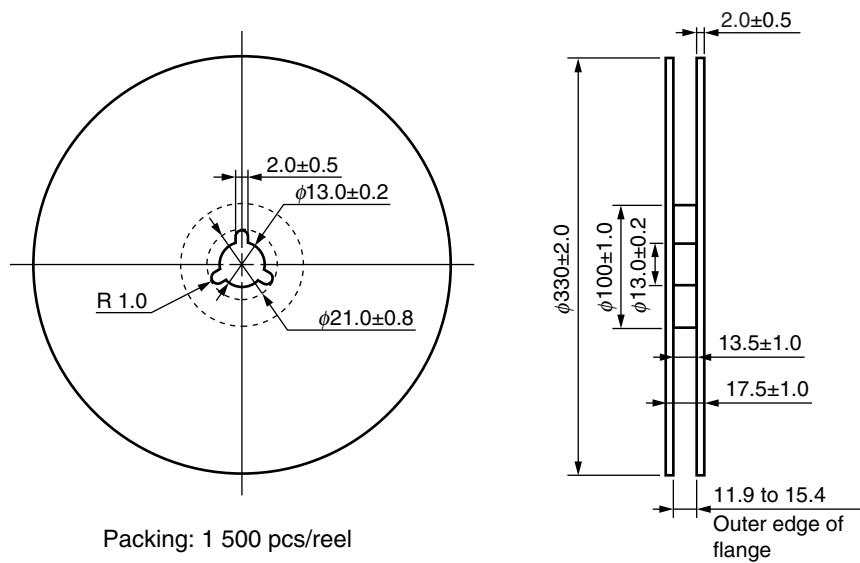
Tape Direction



Outline and Dimensions (Tape)

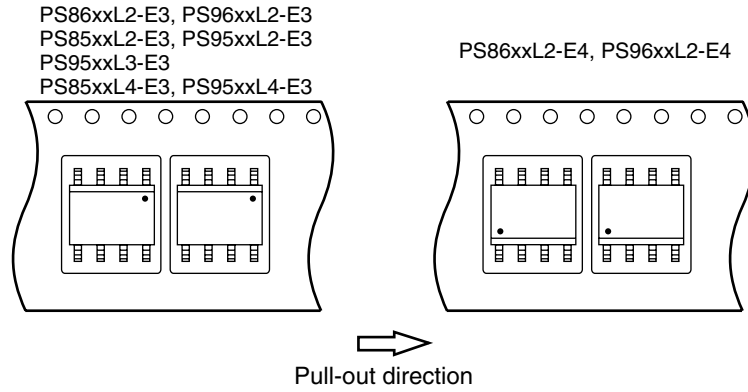


Outline and Dimensions (Reel)

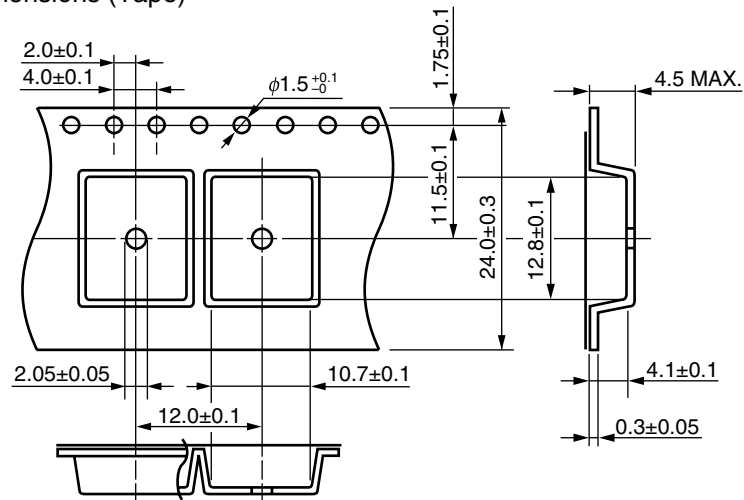


7. 4. 12 8-pin Plastic DIP Photocoupler (L2 type) Taping Specifications (Unit: mm)

Tape Direction



Outline and Dimensions (Tape)



Outline and Dimensions (Reel)

