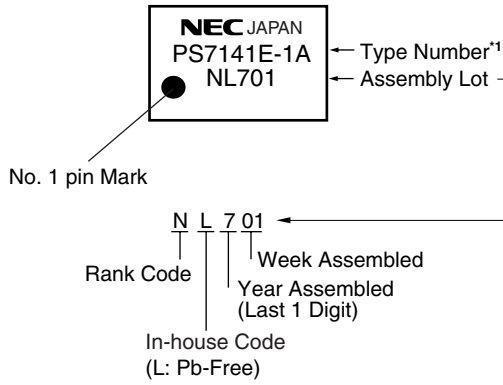


8.2 OPTICAL COUPLED MOS FET MARKING EXAMPLES

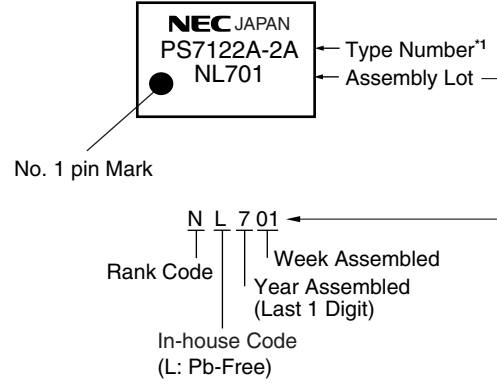
(1) PS71/3xx-1x Series



*1 Applicable type numbers are listed below

PS71xx-1A	PS71xxA-1B	PS73xx-1A
PS71xx-1B	PS71xxC-1A	PS73xx-1B
PS71xxA-1A	PS71xxE-1A	PS73xxC-1A

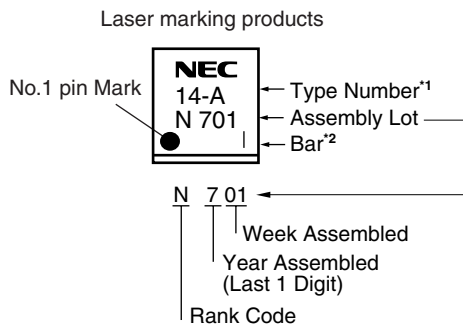
(2) PS71xx-2x/1C Series



*1 Applicable type numbers are listed below

PS71xx-2A	PS71xxA-2A	PS71xxC-2A
PS71xx-2B	PS71xxA-2B	PS71xxE-2A
PS71xx-1C	PS71xxA-1C	

(3) PS72xx-1x Series

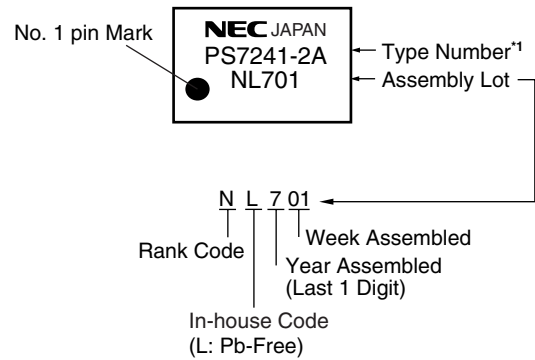


*1 Applicable type numbers are underlined below

PS7 <u>200A</u> -1A	PS7 <u>200R</u> -1A
PS7 <u>200B</u> -1A	PS72 <u>xx-1A</u>
PS7 <u>200E</u> -1A	PS7 <u>205B</u> -1A
PS7 <u>200H</u> -1A	PS72 <u>xx-1B</u>
PS7 <u>200K</u> -1A	PS7241 <u>E-1A</u>
PS7 <u>200N</u> -1A	PS7241 <u>E-1B</u>

*2 Bar " | " is shown in the case of Pb-Free products.

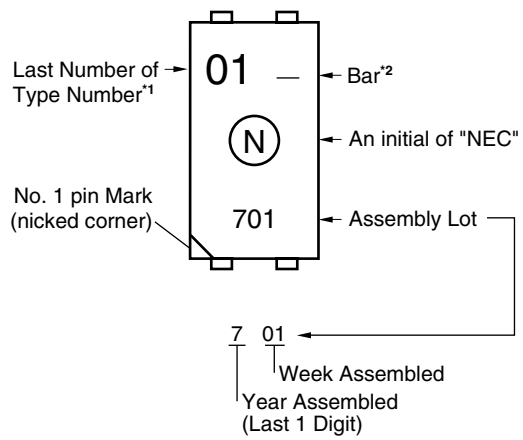
(4) PS72xx-2x/1C Series



*1 Applicable type numbers are listed below

PS72xx-2A	PS72xx-1C
PS72xx-2B	PS72xxA-2A

(5) PS78xx-1x Series



*1 Applicable type numbers are listed below

- PS780x-1A
- PS7801x-1A

*2 Bar "-" is shown in the case of Pb-Free products.