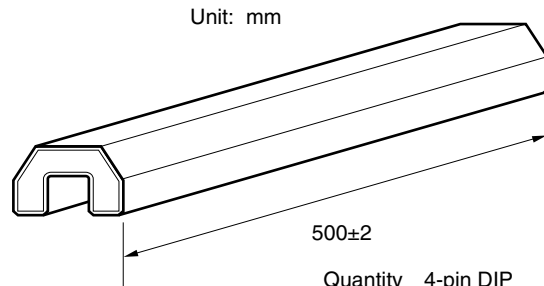
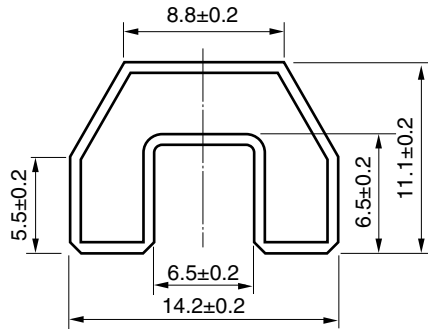


## 7. PHOTOCOUPLER AND OPTICAL COUPLED MOS FET PACKING INFORMATIONS

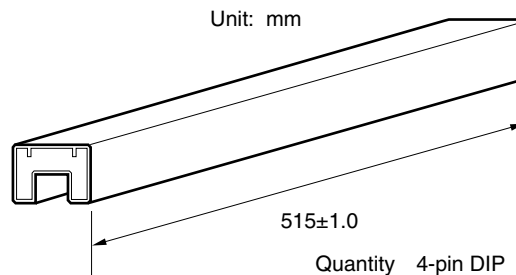
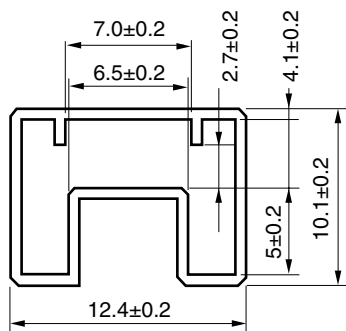
### 7.1 MAGAZINE CASE

#### 7.1.1 4, 6, 8, 16-pin DIP (Including L1 Lead Forming)



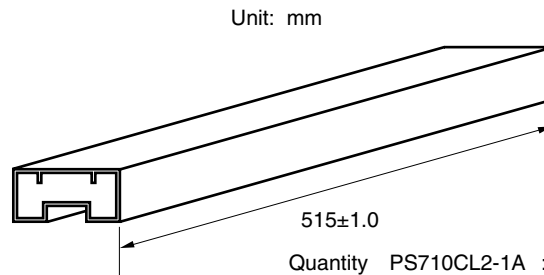
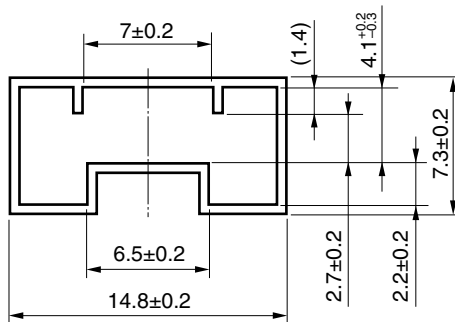
Quantity 4-pin DIP : 100 pcs  
6, 8-pin DIP : 50 pcs  
16-pin DIP : 20 pcs

#### 7.1.2 4, 6, 8, 16-pin DIP Surface Mount (L, L3 Lead Forming)



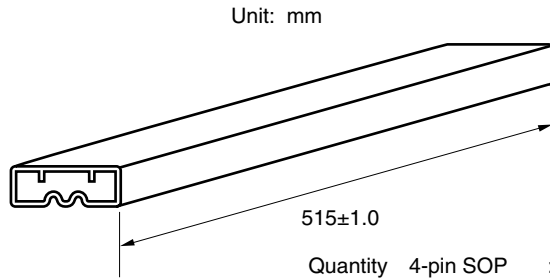
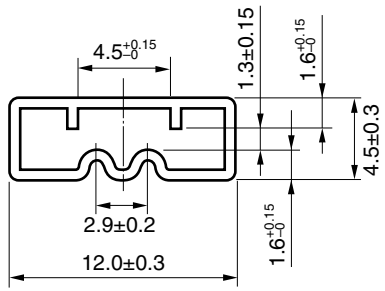
Quantity 4-pin DIP : 100 pcs  
6, 8-pin DIP : 50 pcs  
16-pin DIP : 20 pcs

#### 7.1.3 4, 8-pin DIP Long Clearance Distance Surface Mount (L2)



Quantity PS710CL2-1A : 50 pcs  
4-pin DIP : 100 pcs  
8-pin DIP : 50 pcs

#### 7. 1. 4 4-pin SOP, 16-pin SSOP



Quantity 4-pin SOP : 100 pcs  
16-pin SSOP : 45 pcs