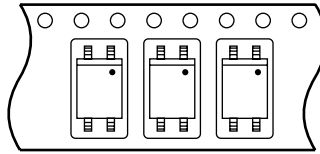


## 7.4 TAPING PACKING SPECIFICATIONS

### 7.4.1 4-pin DIP Photocoupler Surface Mount Type (-1 type) Taping Specifications (Unit: mm)

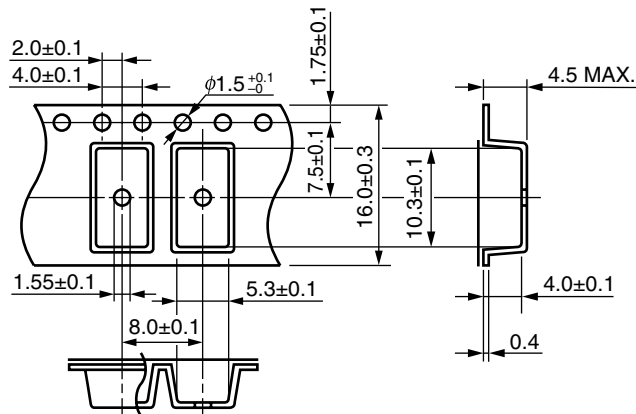
Tape Direction

PS25xxL-1-E3, PS25xxL-1-F3  
PS25xxAL-1-E3, PS25xxAL-1-F3  
PS25xxBL-1-E3, PS25xxBL-1-F3



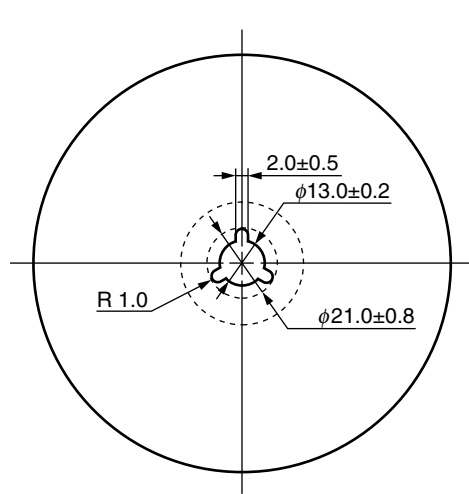
Pull-out direction

Outline and Dimensions (Tape)

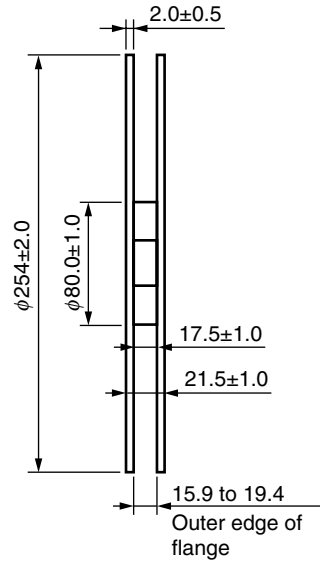


### Outline and Dimensions (Reel)

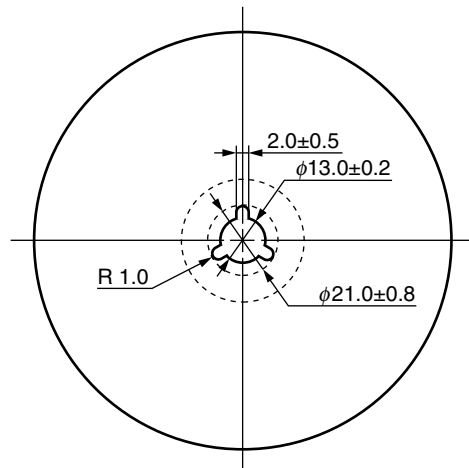
PS25xxL-1-E3  
 PS25xxAL-1-E3  
 PS25xxBL-1-E3



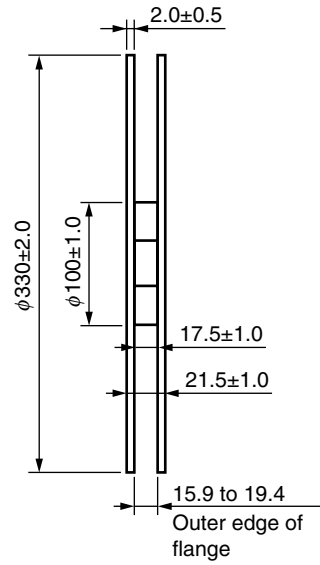
Packing: 1 000 pcs/reel



PS25xxL-1-F3  
 PS25xxAL-1-F3  
 PS25xxBL-1-F3



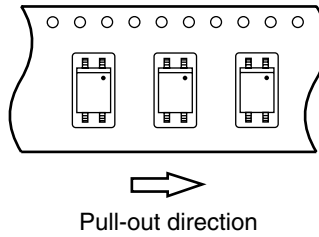
Packing: 2 000 pcs/reel



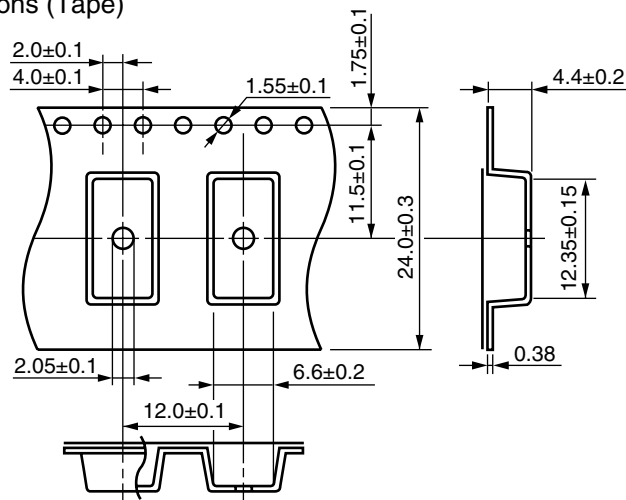
**7. 4. 2 4-pin DIP Photocoupler Long Clearance Distance Surface Mount Type (L2 type) Taping Specifications (Unit: mm)**

**Tape Direction**

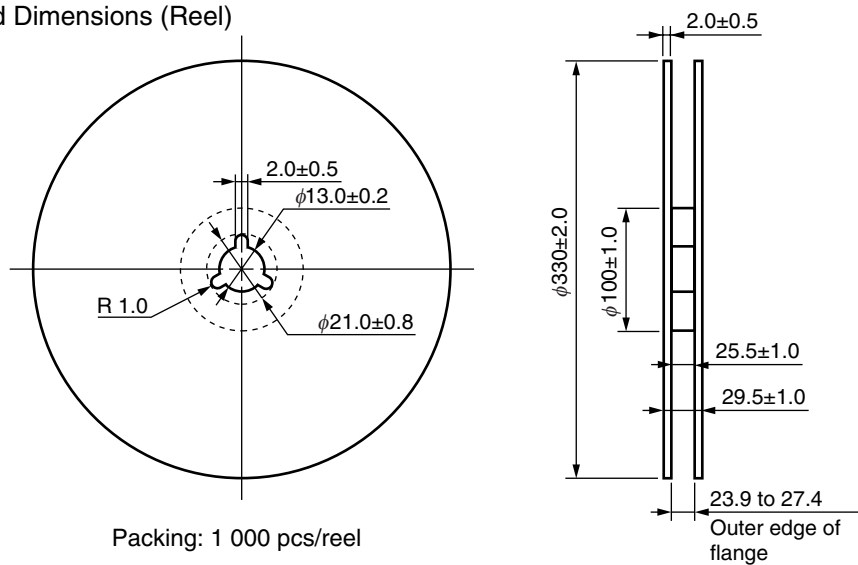
PS25xxL2-1-E3, PS25xxAL2-1-E3  
 PS25xxBL2-1-E3  
 PS2581L2-E3, PS2581AL2-E3



**Outline and Dimensions (Tape)**



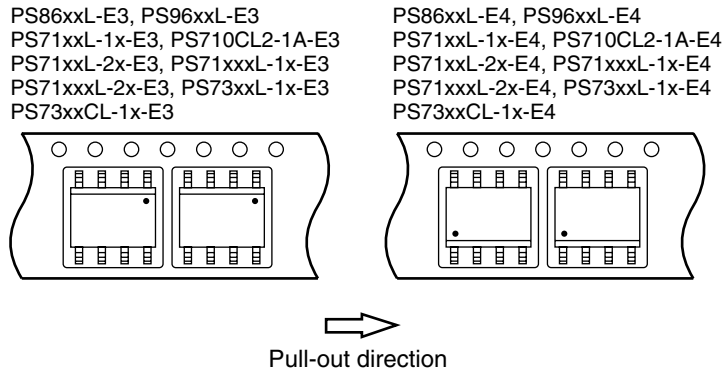
**Outline and Dimensions (Reel)**



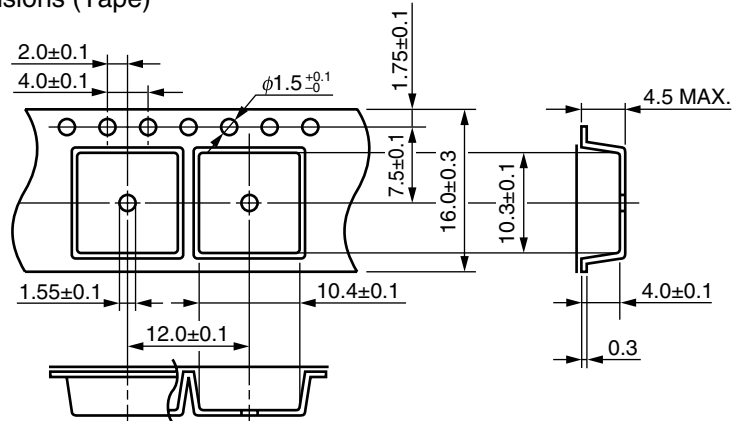
Packing: 1 000 pcs/reel

7. 4. 3 6, 8-pin DIP Photocoupler and Optical Coupled MOS FET Taping Specifications (Unit: mm)

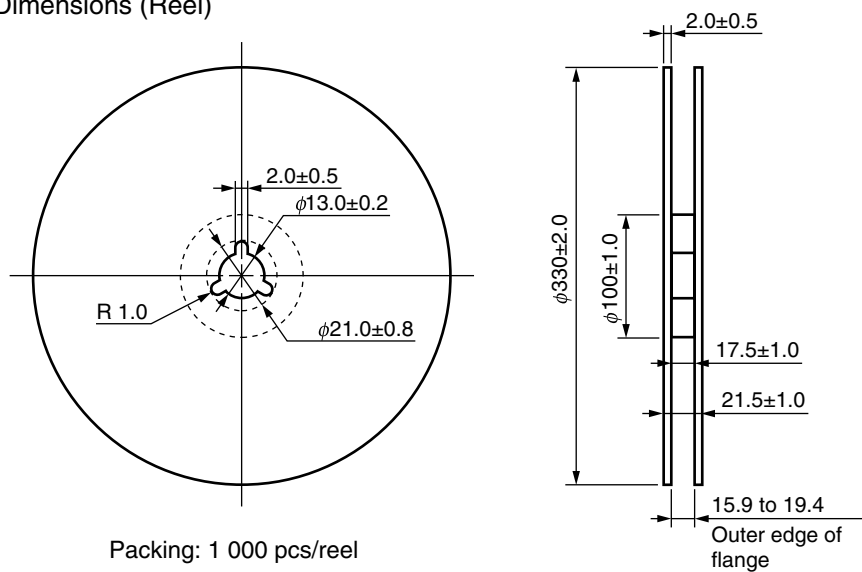
Tape Direction



Outline and Dimensions (Tape)

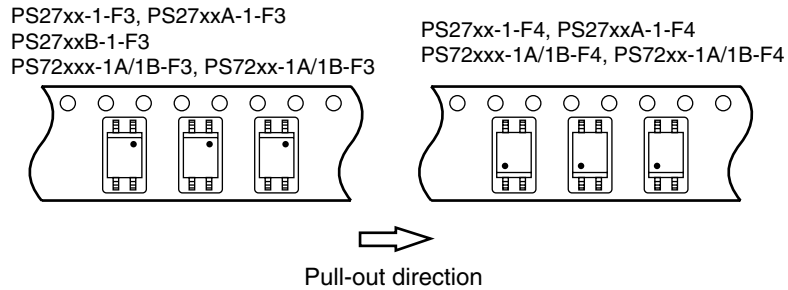


Outline and Dimensions (Reel)

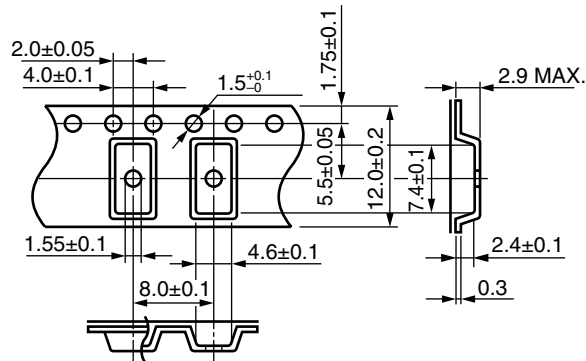


**7. 4. 4 4-pin SOP (Pin pitch: 2.54 mm) Photocoupler and Optical Coupled MOS FET Taping Specifications (Unit: mm)**

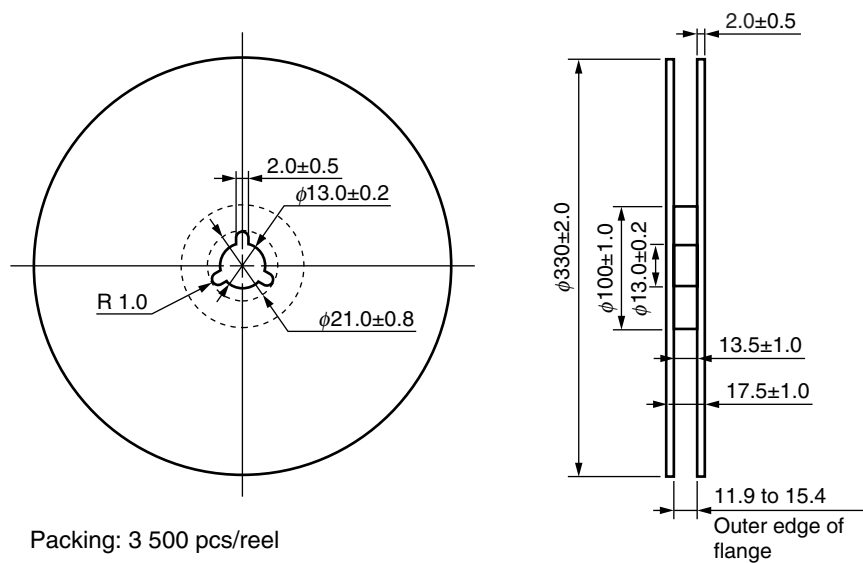
**Tape Direction**



**Outline and Dimensions (Tape)**

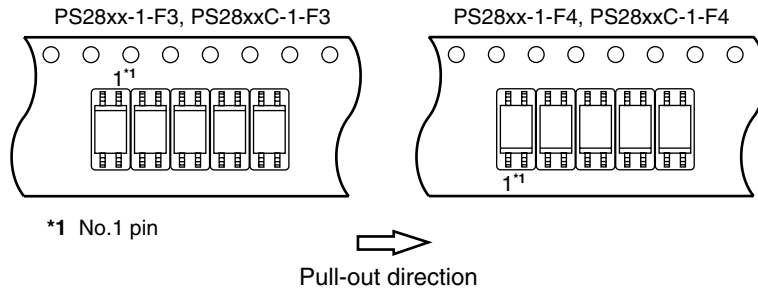


**Outline and Dimensions (Reel)**

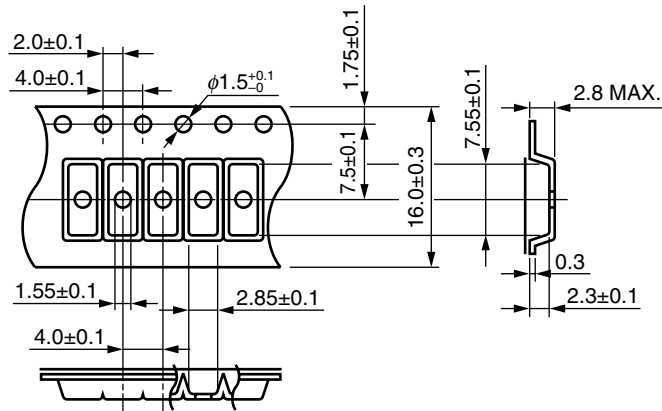


7. 4. 5 4-pin SSOP (Pin pitch: 1.27 mm) Photocoupler Taping Specifications (Unit: mm)

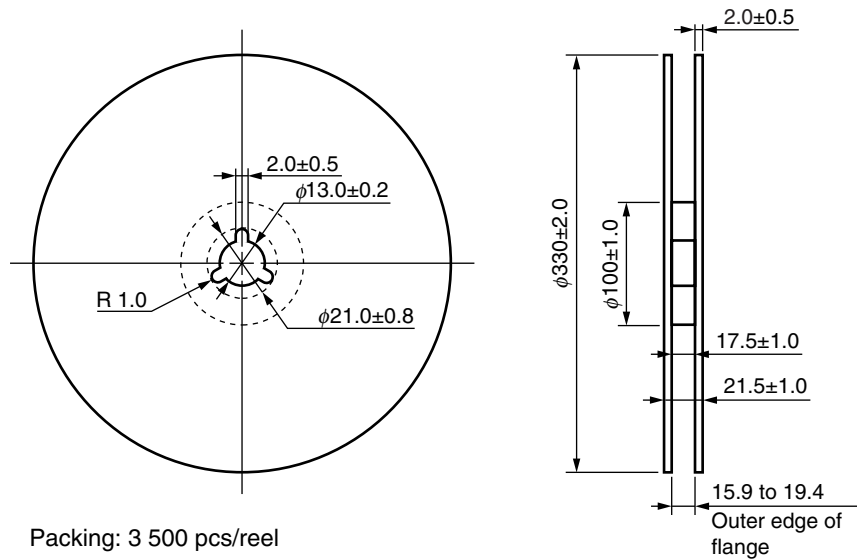
Tape Direction



Outline and Dimensions (Tape)

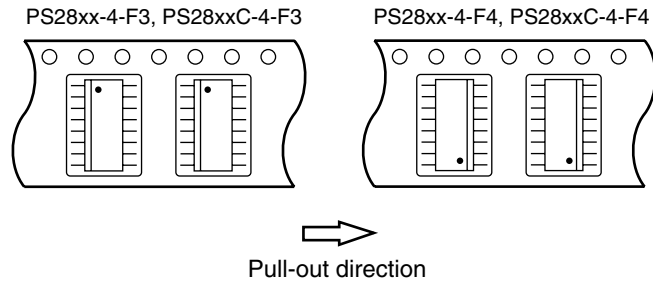


Outline and Dimensions (Reel)

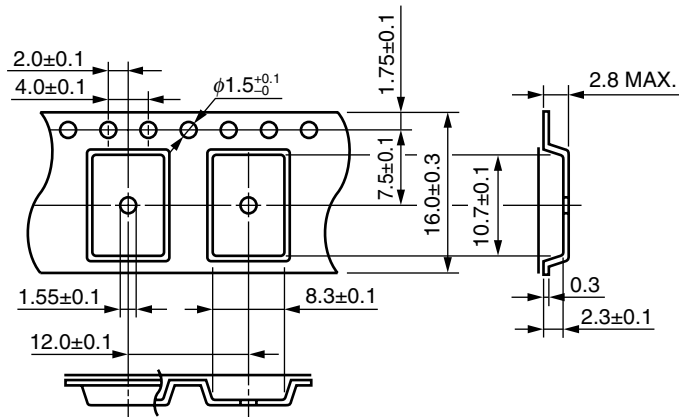


7. 4. 6 16-pin SSOP (Pin pitch: 1.27 mm) Photocoupler Taping Specifications (Unit: mm)

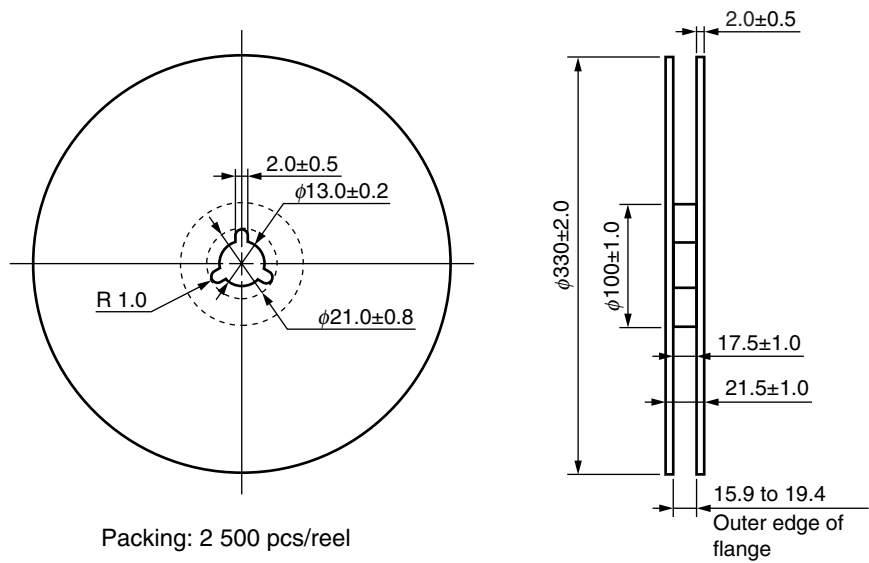
Tape Direction



Outline and Dimensions (Tape)

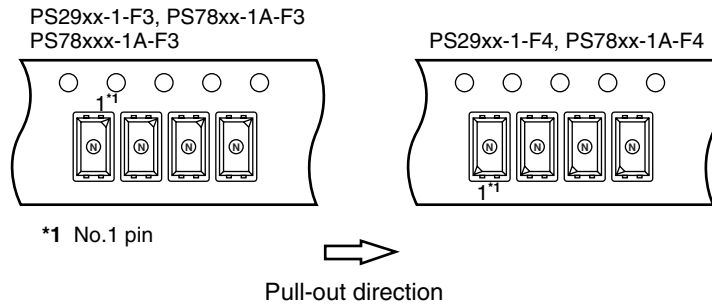


Outline and Dimensions (Reel)

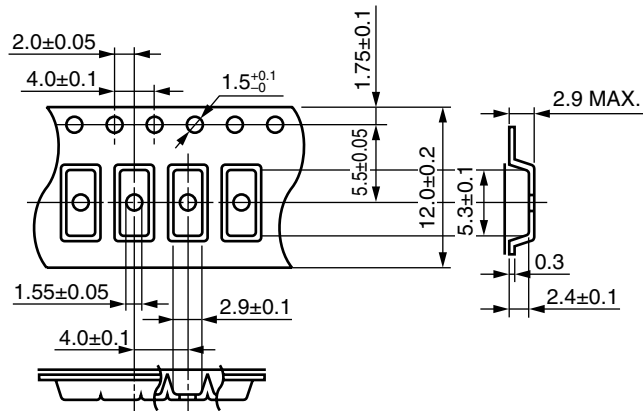


**7. 4. 7 4-pin Ultra-small Flat-lead Photocoupler and Optical Coupled MOS FET Taping Specifications**  
 (Unit: mm)

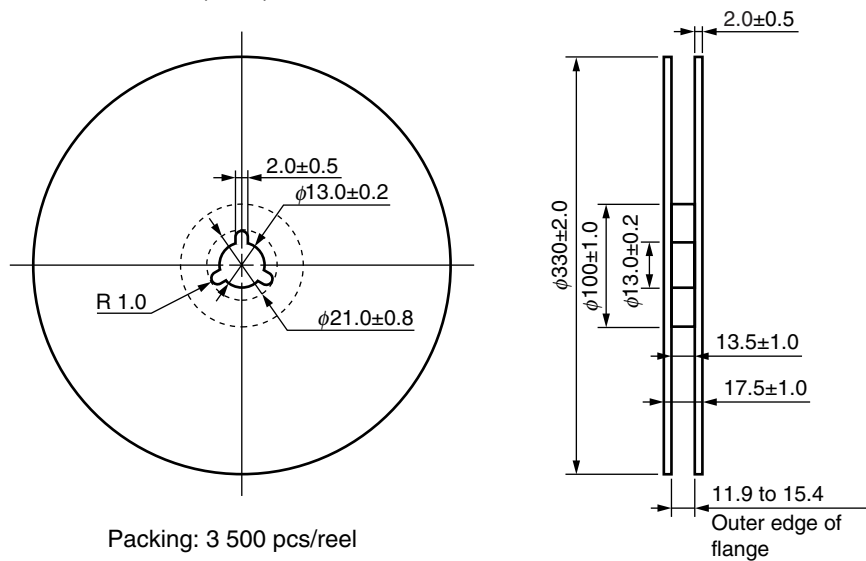
**Tape Direction**



**Outline and Dimensions (Tape)**



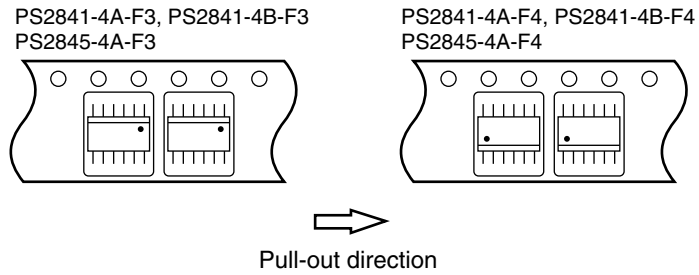
**Outline and Dimensions (Reel)**



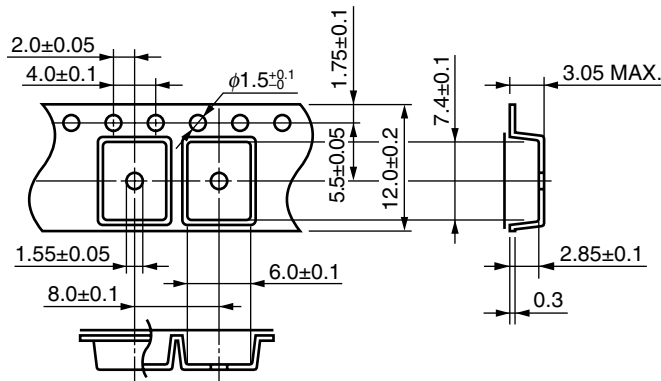


7. 4. 8 12-pin SSOP (Pin pitch: 0.8 mm) Photocoupler Taping Specifications (Unit: mm)

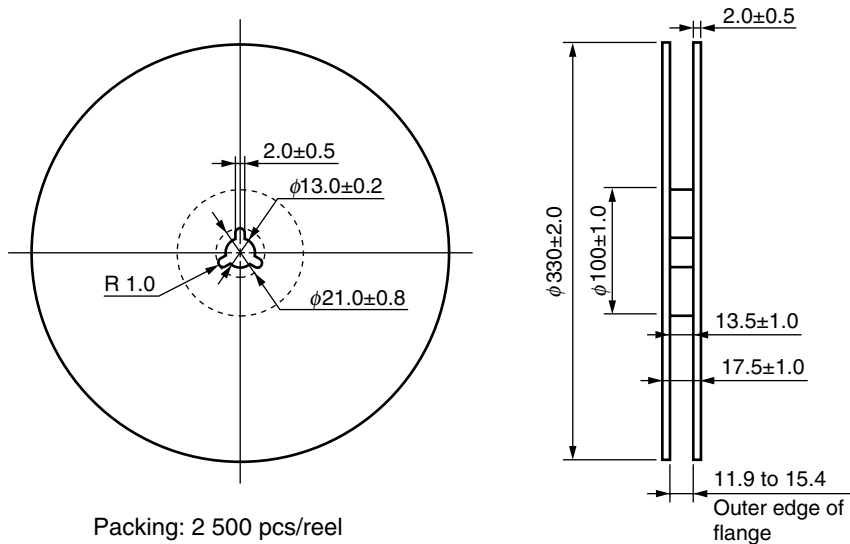
Tape Direction



Outline and Dimensions (Tape)

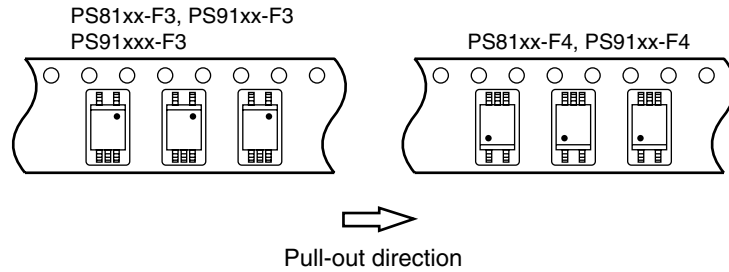


Outline and Dimensions (Reel)

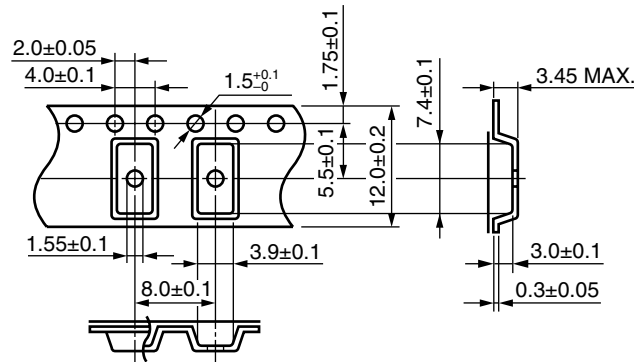


7. 4. 9 5-pin SOP Photocoupler Taping Specifications (Unit: mm)

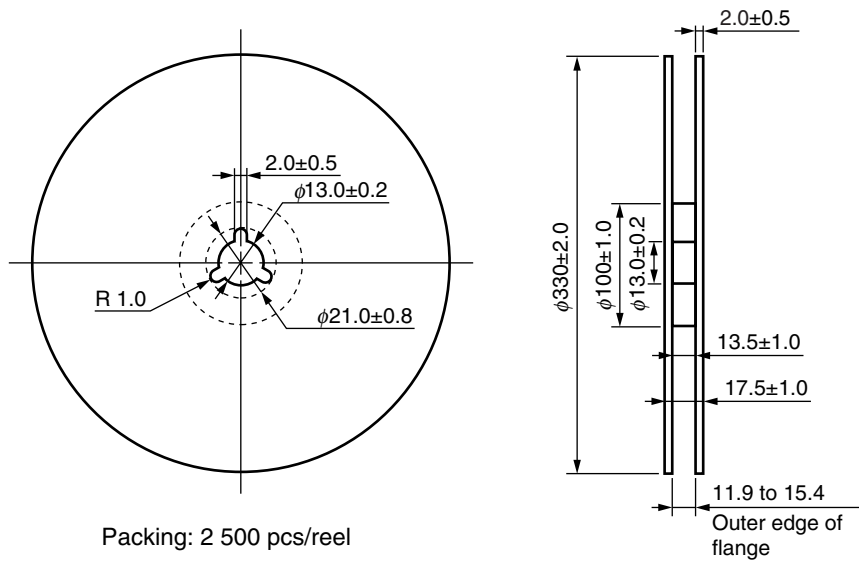
Tape Direction



Outline and Dimensions (Tape)

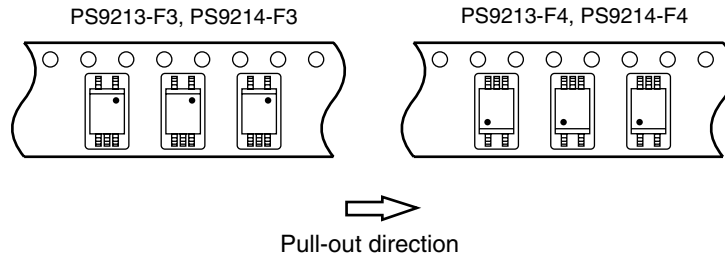


Outline and Dimensions (Reel)

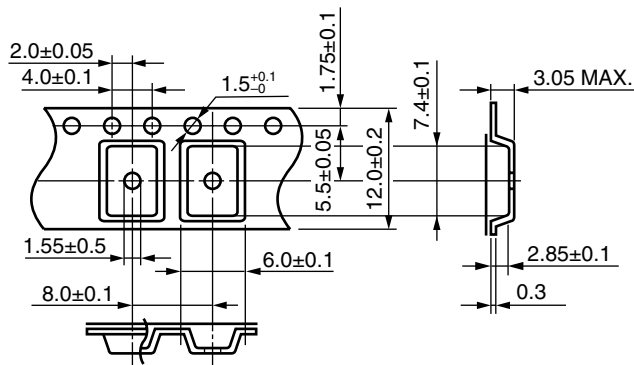


7. 4. 10 5-pin SOP (Air distance: 5.5 mm) Photocoupler Taping Specifications (Unit: mm)

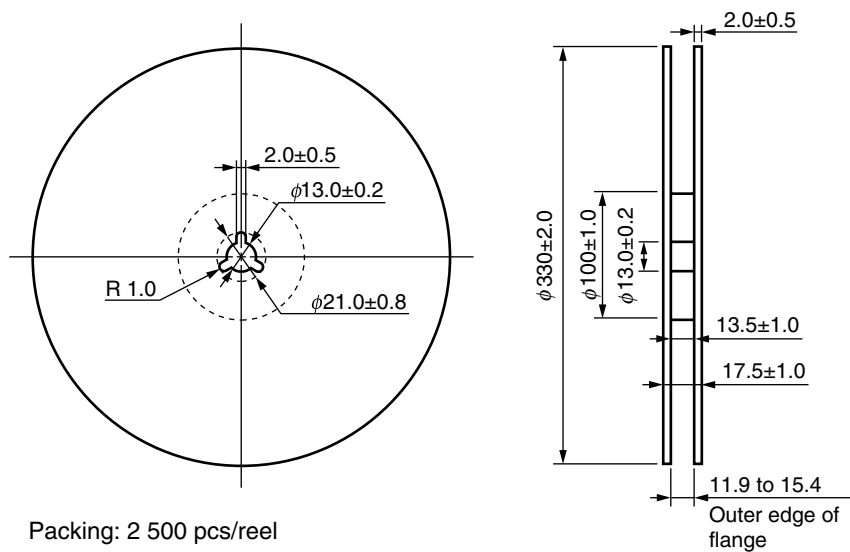
Tape Direction



Outline and Dimensions (Tape)

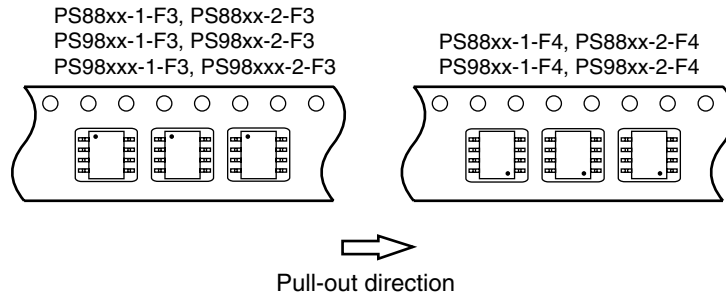


Outline and Dimensions (Reel)

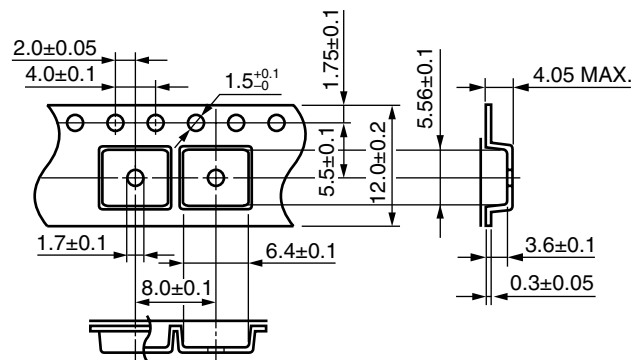


7. 4. 11 8-pin SSOP (Pin pitch: 1.27 mm) Photocoupler Taping Specifications (Unit: mm)

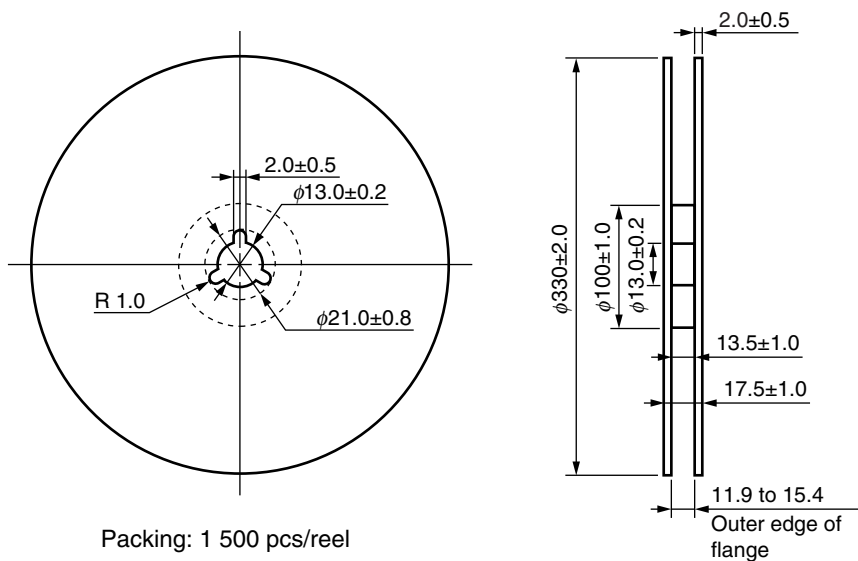
Tape Direction



Outline and Dimensions (Tape)

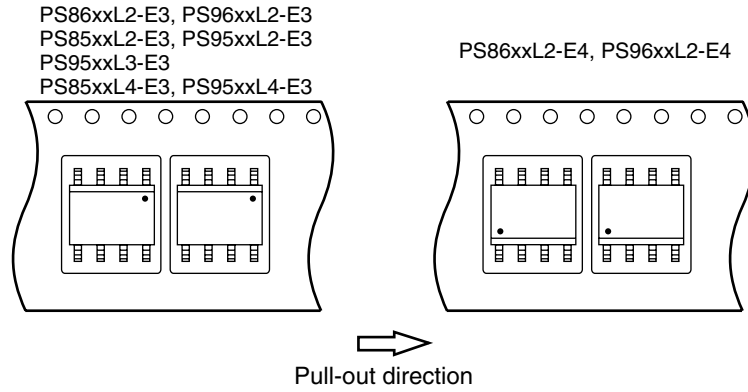


Outline and Dimensions (Reel)

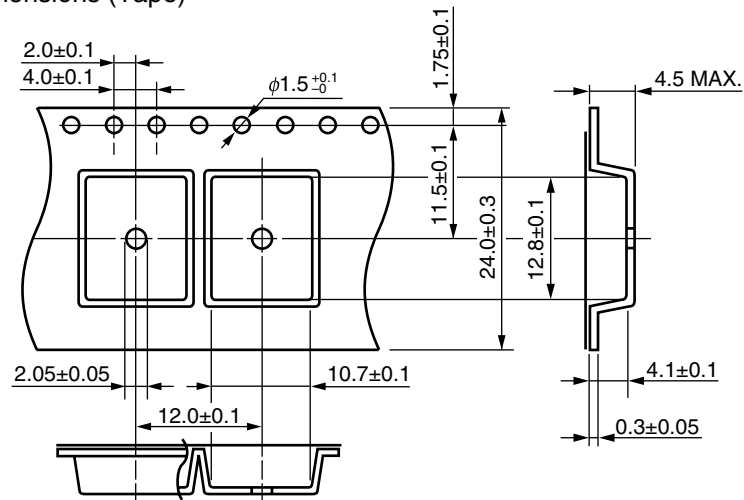


7. 4. 12 8-pin Plastic DIP Photocoupler (L2 type) Taping Specifications (Unit: mm)

Tape Direction



Outline and Dimensions (Tape)



Outline and Dimensions (Reel)

