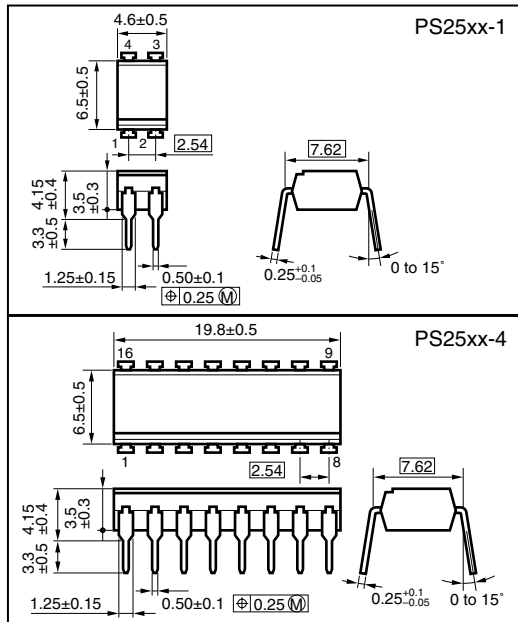


6. PHOTOCOUPLER AND OPTICAL COUPLED MOS FET PACKAGE DIMENSIONS

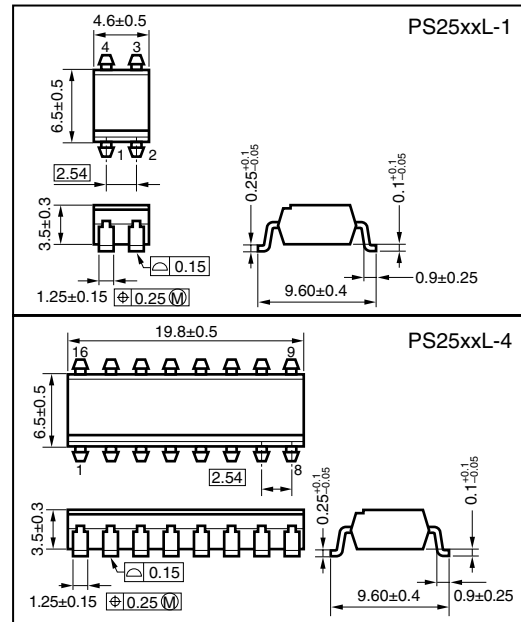
6.1 PHOTOCOUPLER STANDARD (DIP)

(1) 4-pin based multi-channel DIP type (Unit: mm)

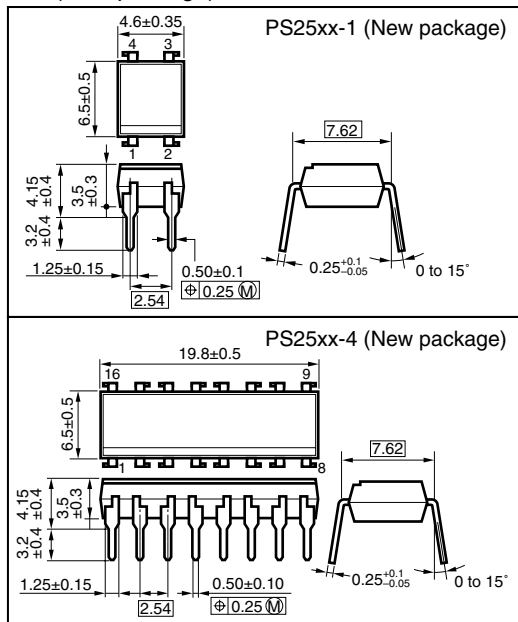
DIP



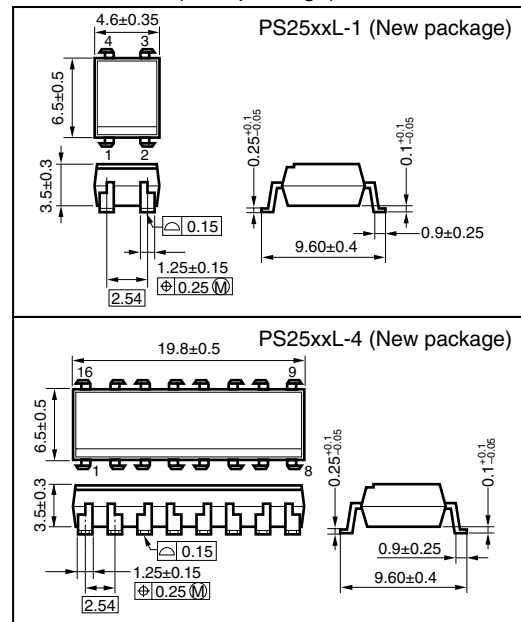
Surface mount



DIP (New package)

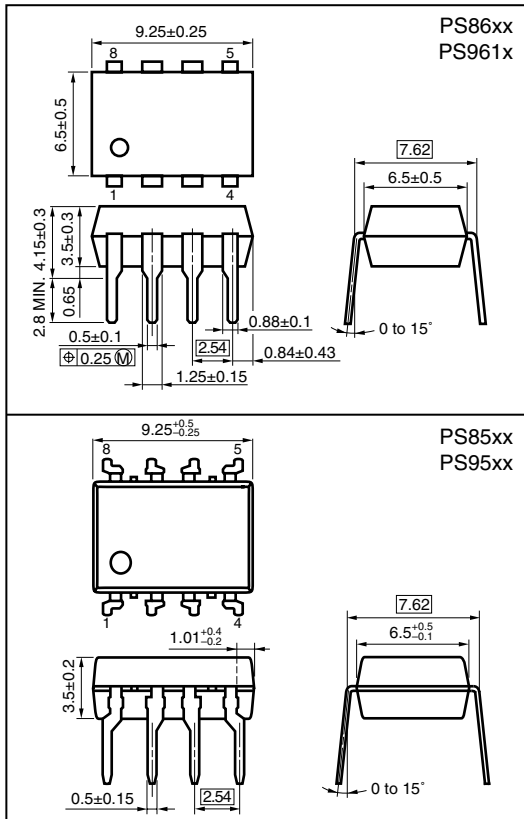


Surface mount (New package)

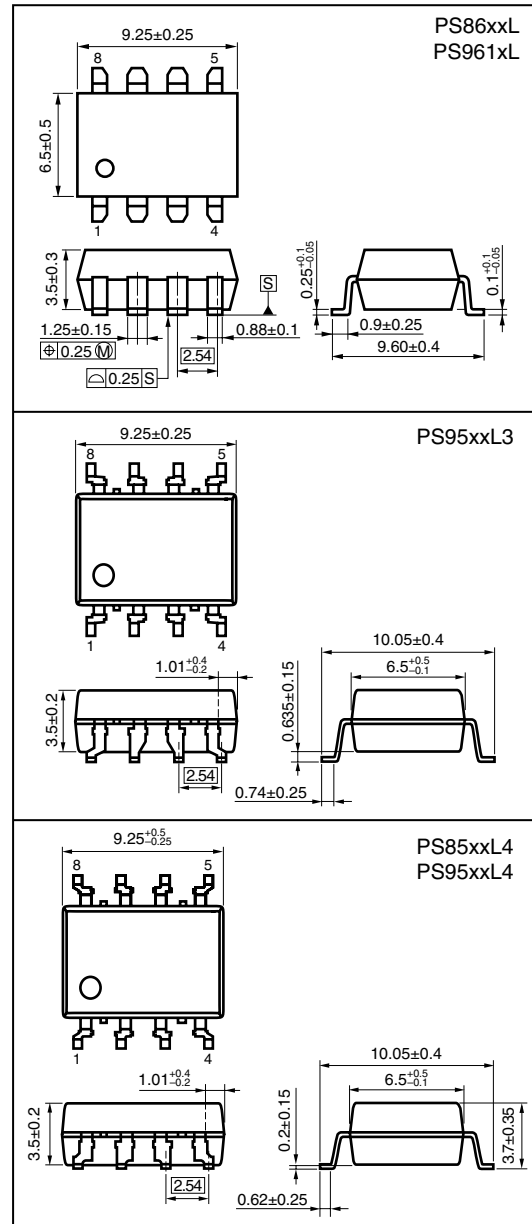


(2) 8-pin DIP type (Unit: mm)

DIP

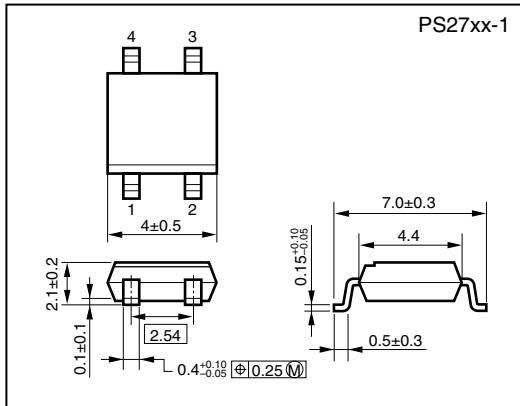


Surface mount



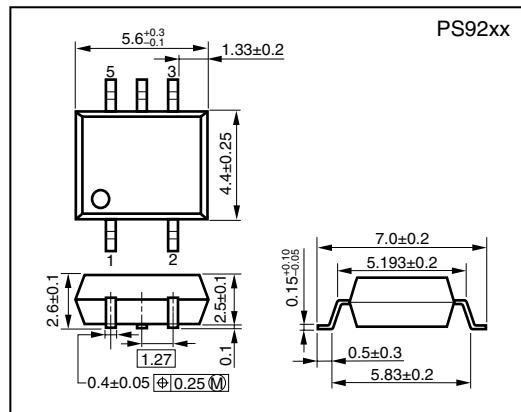
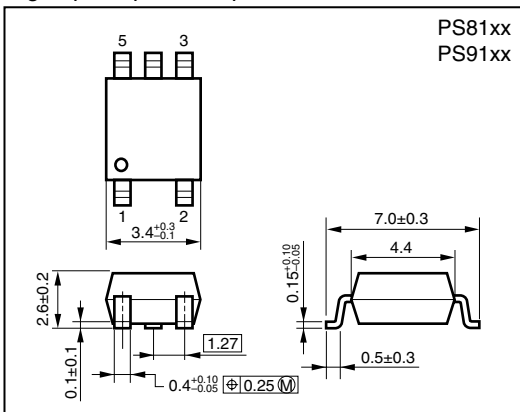
6.2 PHOTOCOUPLER STANDARD (SOP)

(1) 4-pin SOP type (Unit: mm)



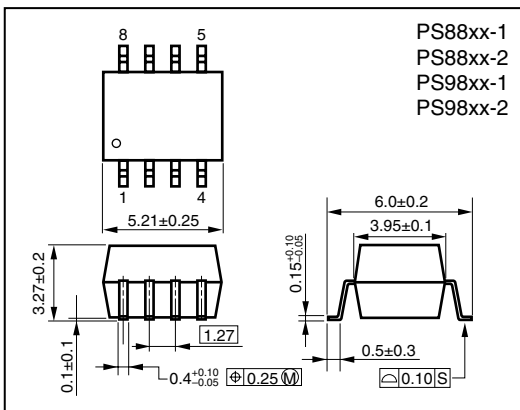
(2) 5-pin SOP type (Unit: mm)

High-speed photocopier



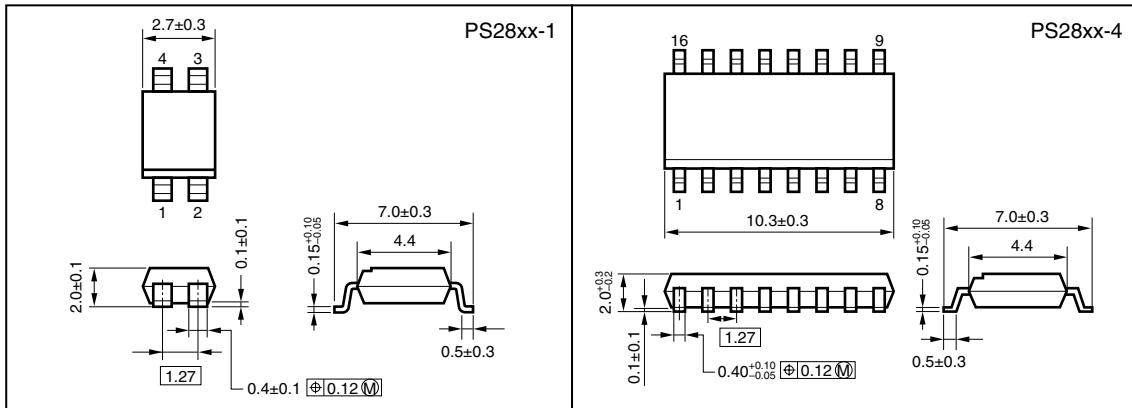
(3) 8-pin SOP type (Unit: mm)

High-speed photocopier

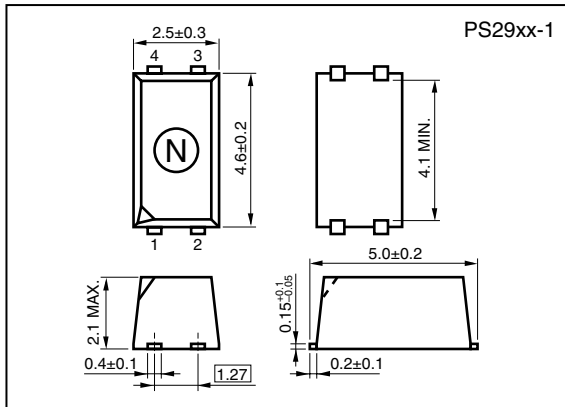


6.3 PHOTOCOUPLER STANDARD (SSOP)

(1) 4-pin based multi-channel SSOP type (Unit: mm)



(2) 4-pin ultra-small flat-lead type (Unit: mm)



(3) 12-pin ultra-small SOP type (Unit: mm)

