

8. PHOTOCOUPLER AND OPTICAL COUPLED MOS FET MARKING EXAMPLES

8.1 PHOTOCOUPLER MARKING EXAMPLES

(1) PS25xx-1, PS2581 Series

No. 1 pin Mark

NEC
2501
NL701

← Type Number*1
← Assembly Lot

N L 7 01

← Week Assembled
Year Assembled
(Last 1 Digit)
← In-house Code
CTR Rank Code

*1 Applicable type numbers are listed below

PS2501-1	PS2521-1	PS2562-1
PS2501A-1	PS2525-1	PS2565-1
PS2502-1	PS2533-1	PS2566-1
PS2503-1	PS2535-1	PS2581L1
PS2505-1	PS2561-1	PS2581L2
PS2506-1	PS2561A-1	PS2581AL1
PS2513-1	PS2561B-1	PS2581AL2

Package	Made in Japan	Made in Taiwan
Standard PKG	①	③
New PKG	②	④

Table

Part Number	Pb-Free products			
	①	②	③	④
PS2501-1	L	J	N	K
PS2501A-1	/	J	/	K
PS2502-1	L	J	N	K
PS2503-1	L	/	/	/
PS2505-1	L	J	N	K
PS2506-1	L	J	/	/
PS2513-1	/	J	/	/
PS2521-1	L	/	/	/
PS2525-1	L	/	/	/
PS2533-1	L	J	N	/
PS2535-1	L	J	N	/
PS2561-1	L	J	N	K
PS2561A-1	/	J	/	K
PS2561B-1	/	J	/	/
PS2562-1	L	J	/	/
PS2565-1	L	J	N	K
PS2566-1	L	J	/	/
PS2581L1/L2	/	J	/	K
PS2581AL1/L2	/	J	/	K

(2) PS25xx-4 Series

No. 1 pin Mark

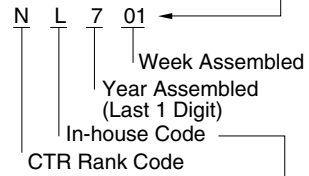


← Type Number*1

← Assembly Lot

*1 Applicable type numbers are listed below

- PS2501-4
- PS2502-4
- PS2503-4
- PS2505-4
- PS2506-4

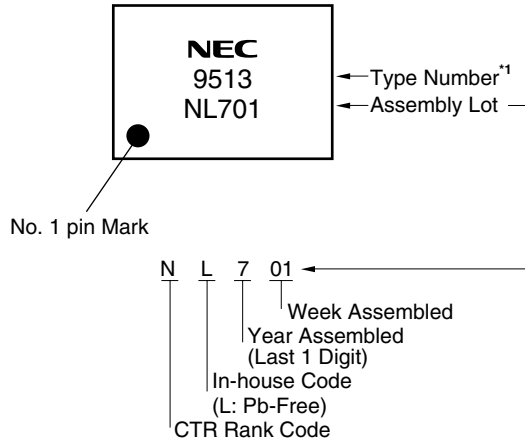


Package	Made in Japan	Made in Taiwan
Standard PKG	①	③
New PKG	②	

Table

Part Number	Pb-Free products		
	①	②	③
PS2501-4	L	J	N
PS2502-4	L		N
PS2503-4	L		
PS2505-4	L	J	N
PS2506-4	L		

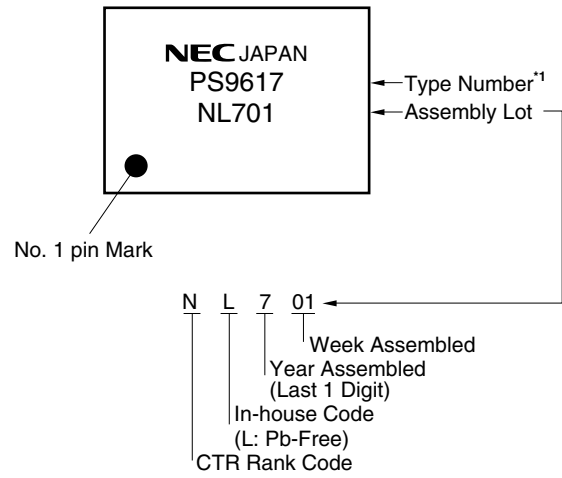
(3) PS85xx, PS92xx, PS95xx Series



*1 Applicable type numbers are listed below

PS8501	L1/L2	PS9513	L1/L2
PS8502	L1/L2	PS9551	L4
PS8551	L4	PS9552	
PS9213		PS9587	L1/L2
PS9214			

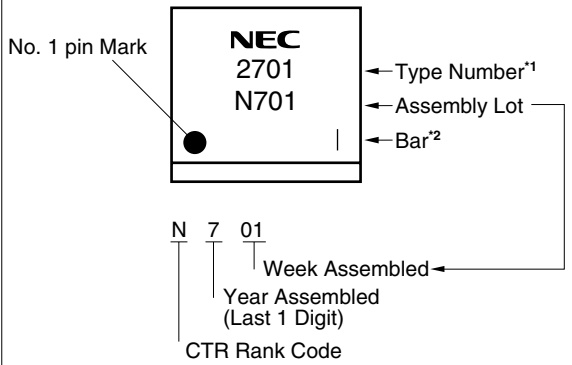
(4) PS86xx, PS96xx Series



*1 Applicable type numbers are listed below

PS8601	PS9617
PS8602	PS9661
PS9613	PS9687

(5) PS27xx-1, PS81xx, PS91xx Series

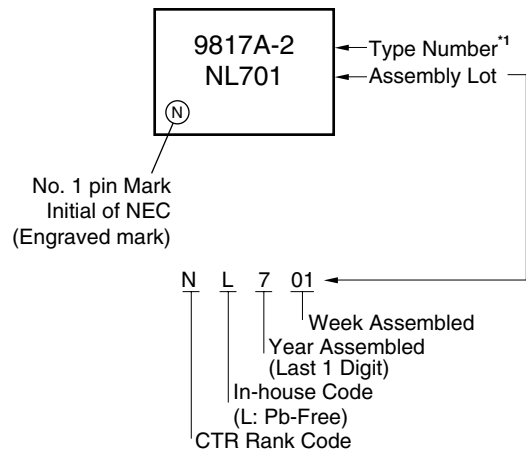


*1 Applicable type numbers are listed below

PS2701-1	PS2711-1	PS9115
PS2701A-1	PS2715-1	PS9117
PS2702-1	PS2733-1	PS9117A
PS2703-1	PS2761B-1	PS9121
PS2705-1	PS2765-1	PS9151
PS2705A-1	PS8101	
PS2707-1	PS9113	

*2 Bar "|" is shown in the case of Pb-Free products.

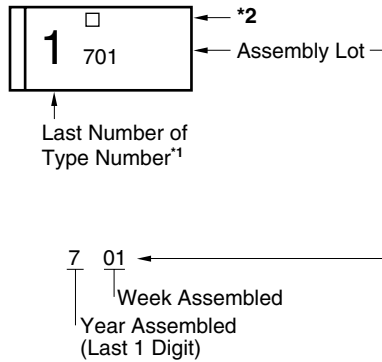
(6) PS88xx-1, 2, PS98xx-1, 2 Series



*1 Applicable type numbers are listed below

PS8802-1	PS9817-1	PS9821-1
PS8802-2	PS9817-2	PS9821-2
PS8821-1	PS9817A-1	PS9851-1
PS8821-2	PS9817A-2	PS9851-2

(7) PS280x-1 Series

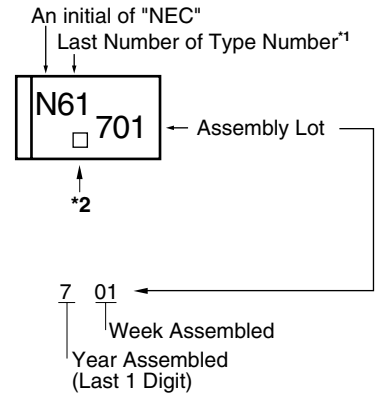


*1 Applicable type numbers are listed below

PS2801-1
PS2802-1
PS2805-1

*2 "□" is shown in the case of Pb-Free products.

(8) PS286x-1 Series

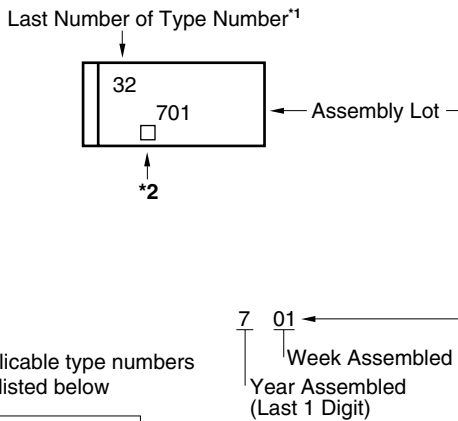


*1 Applicable type numbers are listed below

PS2861-1
PS2865-1

*2 "□" is shown in the case of Pb-Free products.

(9) PS28xx-1 Series

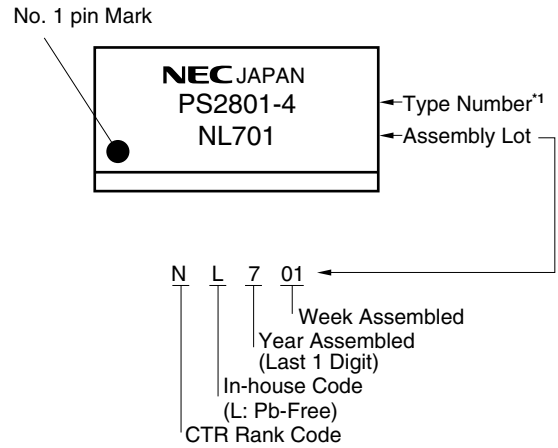


*1 Applicable type numbers are listed below

PS2801C-1
PS2805C-1
PS2811-1
PS2815-1
PS2832-1
PS2833-1

*2 "□" is shown in the case of Pb-Free products.

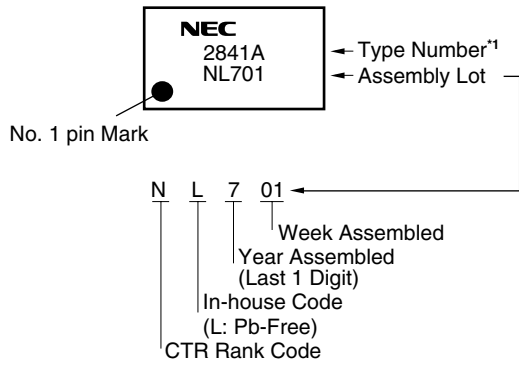
(10) PS28xx-4 Series



*1 Applicable type numbers are listed below

PS2801-4	PS2805-4	PS2815-4
PS2801C-4	PS2805C-4	PS2832-4
PS2802-4	PS2811-4	PS2833-4

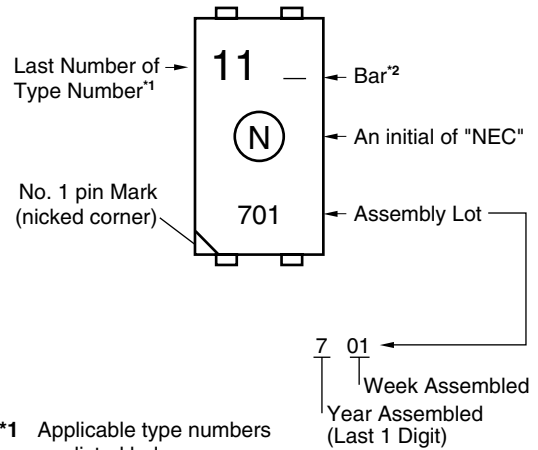
(11) PS284x Series



*1 Applicable type numbers are listed below

- PS2841-4A
- PS2841-4B
- PS2845-4A

(12) PS29xx-1 Series



*1 Applicable type numbers are listed below

- PS2911-1
- PS2913-1
- PS2915-1
- PS2933-1

*2 Bar "_" is shown in the case of Pb-Free products.