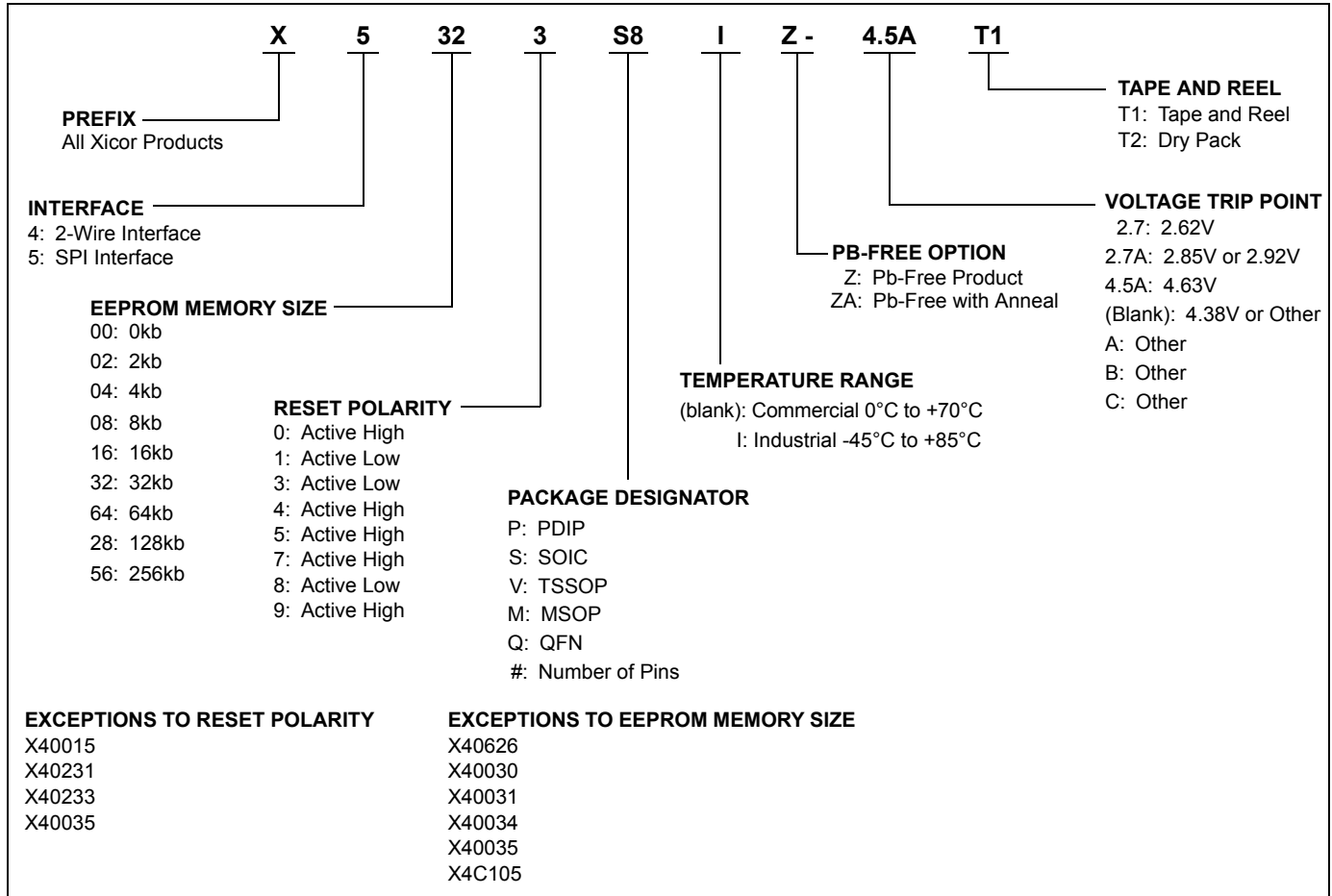


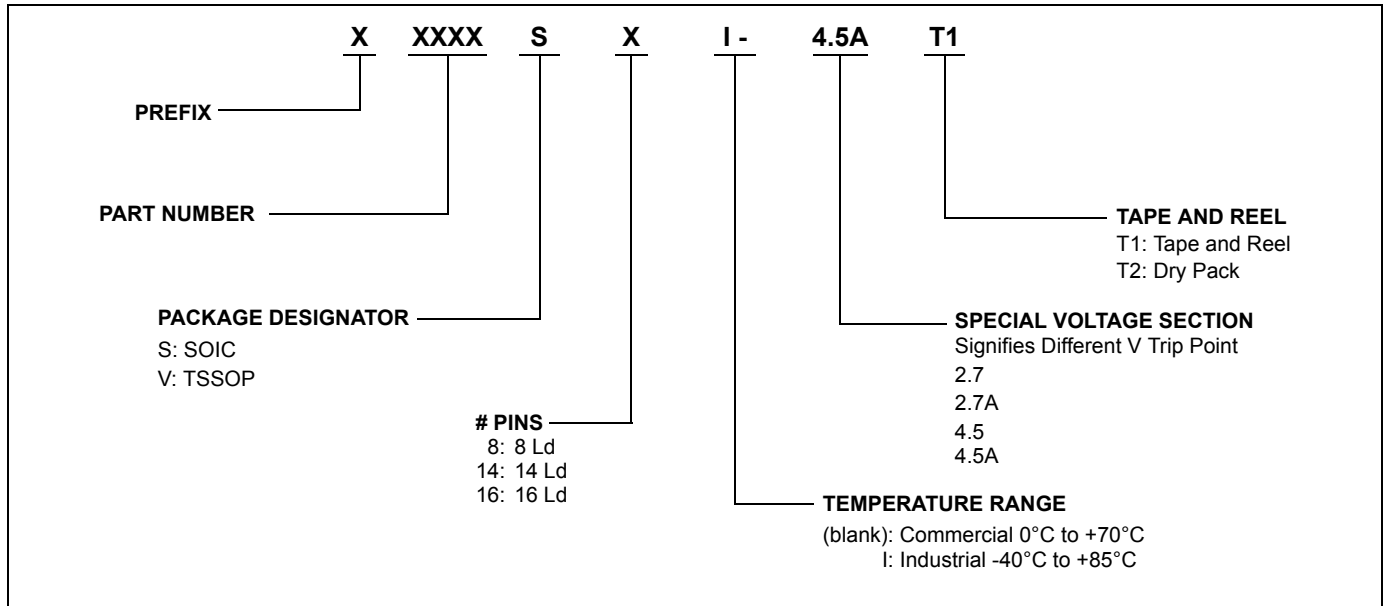
Nomenclature Guide

X Types

System Management Products (SMP)

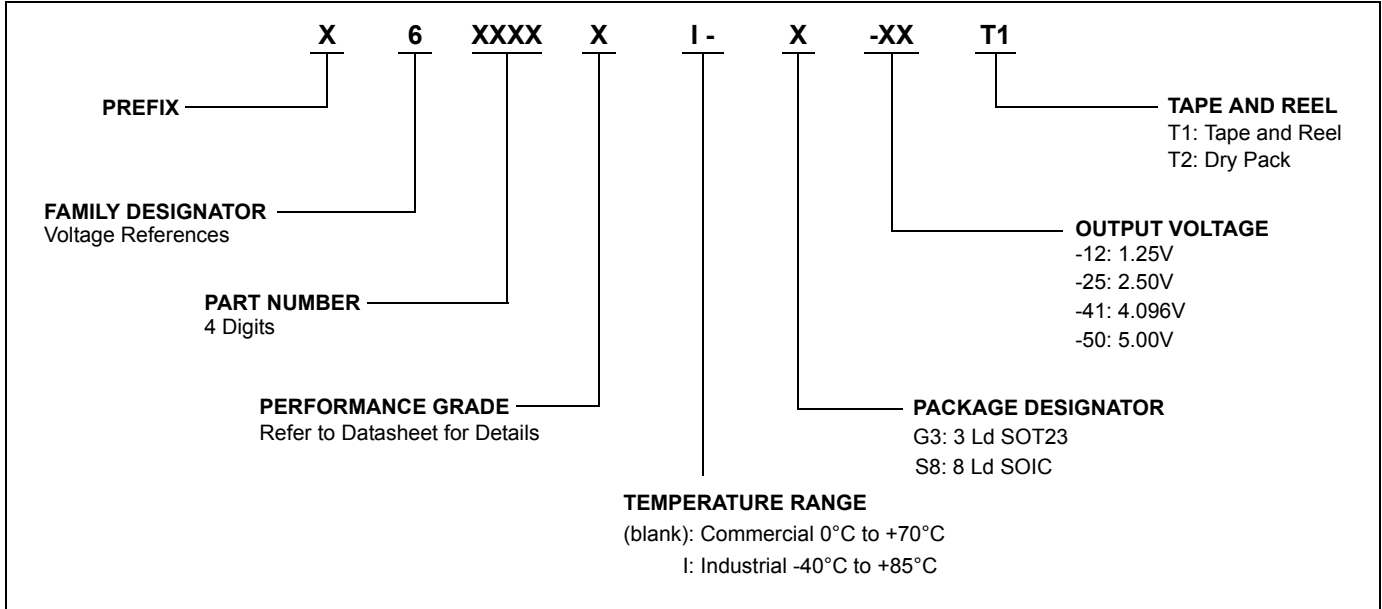


Real Time Clocks (RTC)

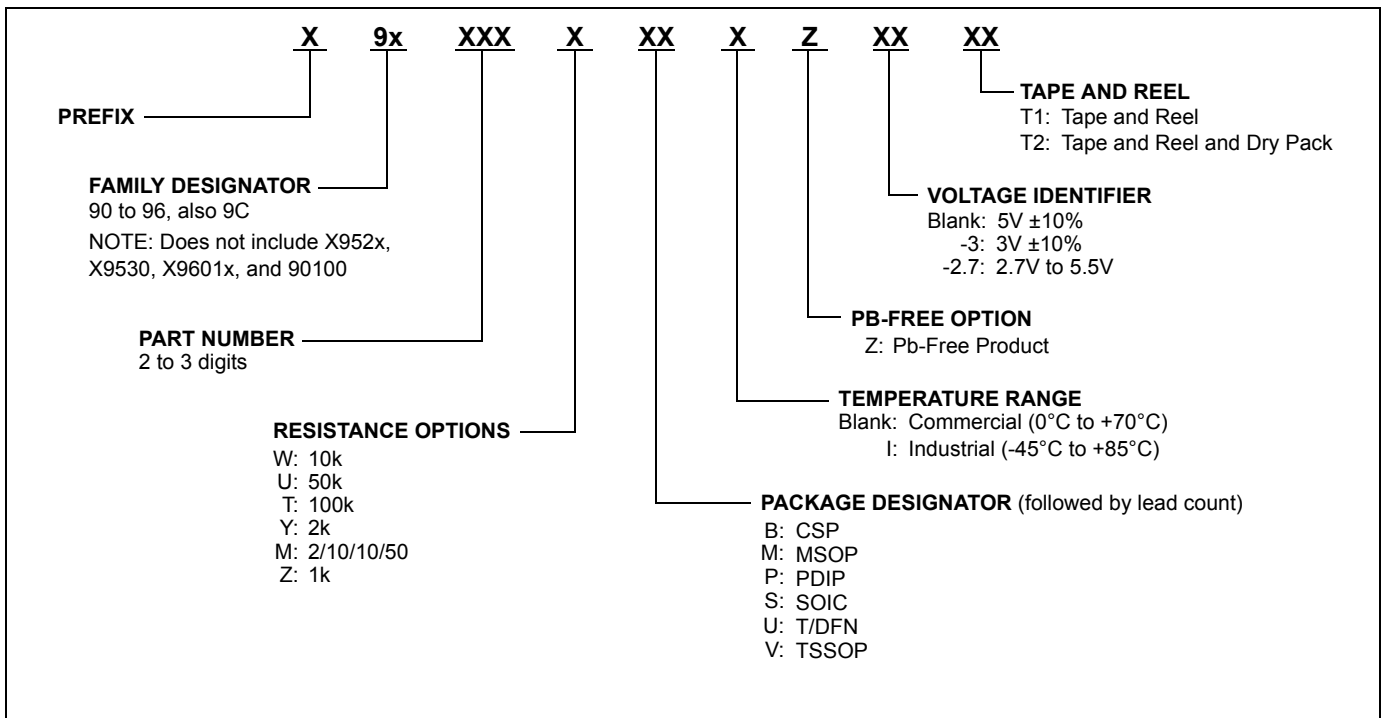


Nomenclature Guide

Voltage References (VREFs)

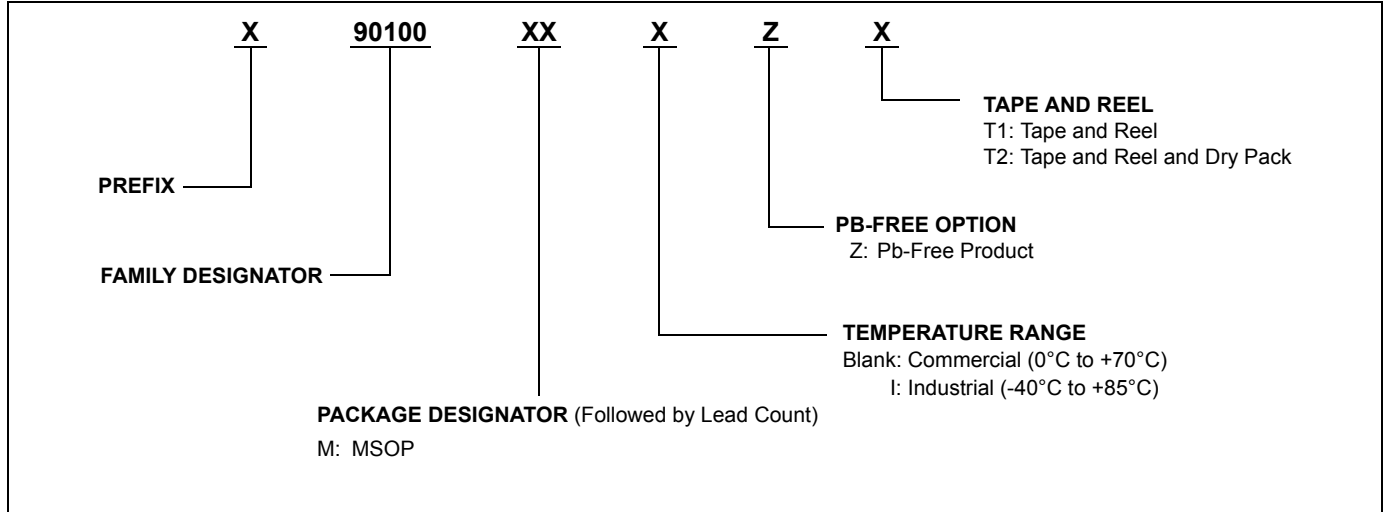


Digitally Controlled Potentiometers (DCPs)

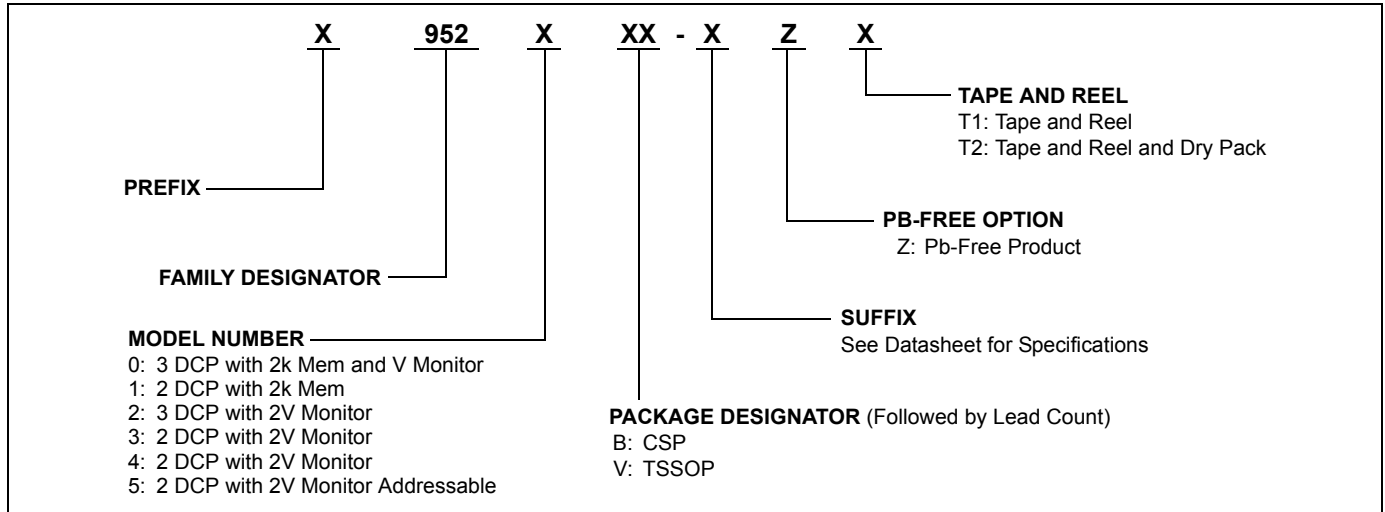


Nomenclature Guide

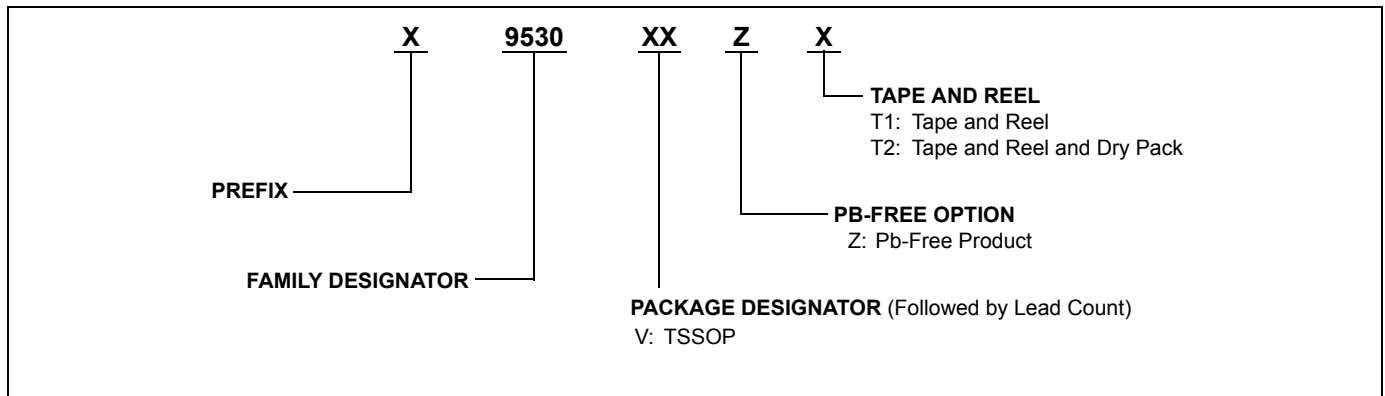
Digitally Controlled Capacitors (DCCs)



Bias and Control for Laser Diode with Integrated DCP

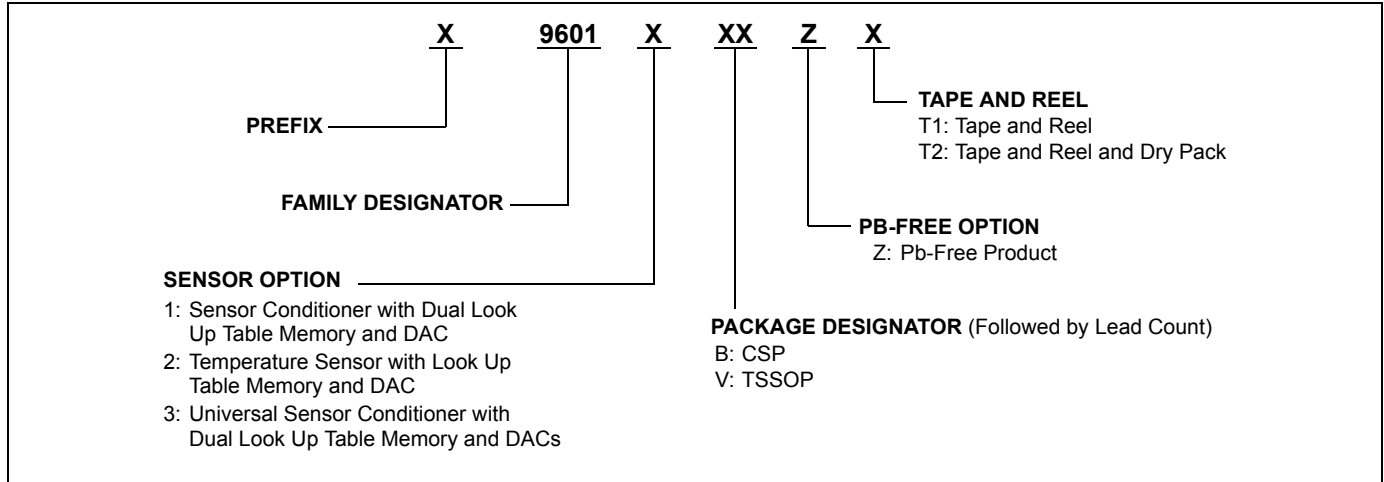


Bias and Control for Laser Diode

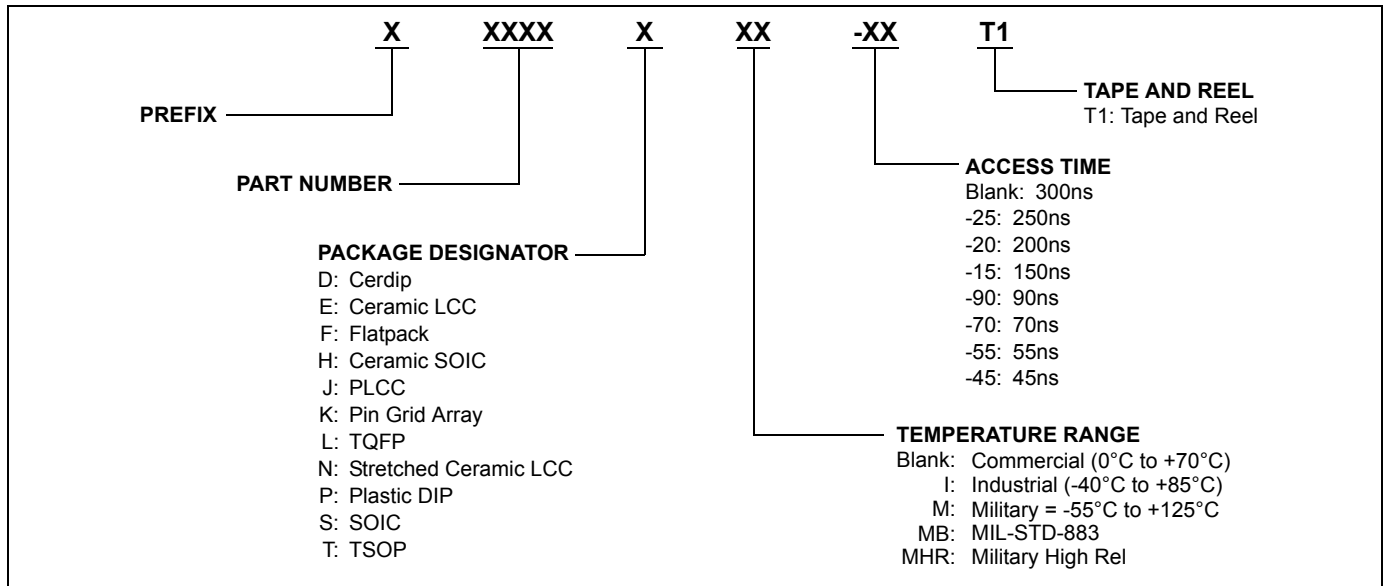


Nomenclature Guide

General Purpose Sensor Conditioners with Look-Up Table Memory



Parallel E²PROM



Serial E²PROM

