

85V - 264V RMS  
20A RMS @ 100V RMS, 7.6A RMS @ 264V RMS

2000W @ 85V - 264V RMS  
385 - 400V DC rated voltage

P03301-C0-002  
Sheet3

Sheet2  
P03301-C0-002  
Sheet3  
P03301-C0-002

U, V, W (D1)

A, B, Z (D1)

Sheet5  
P03301-C0-002

MAIN BOARD

MCU BOARD

ADUM1400CRWZ

RE9664WRF-004-I02

Gate Driver (IR2181)  
CPLD (XC9536XL-10VQ644C)

R2A20114FP

LM2674M-5.0

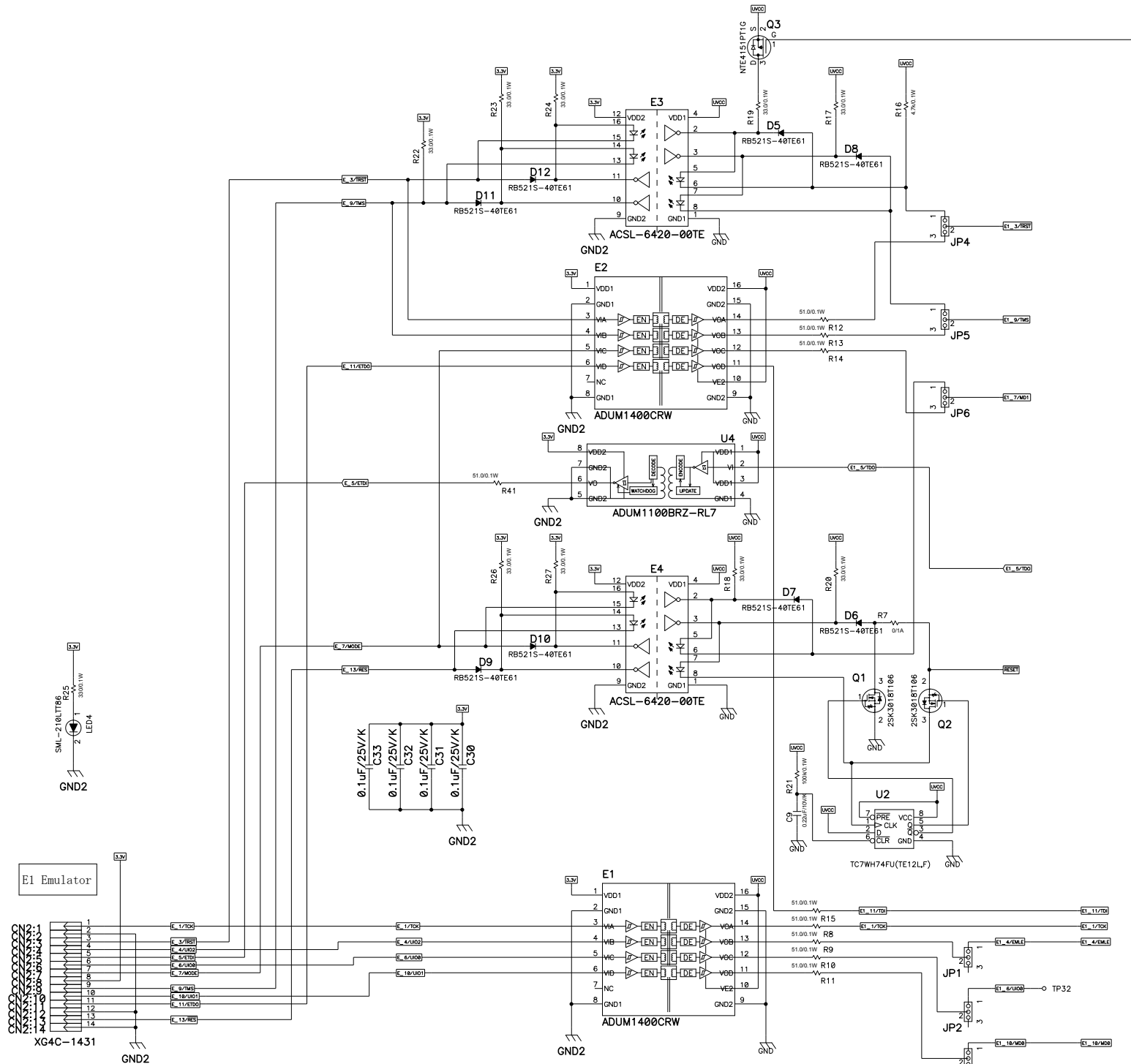
RX62T\_100\_5

DI · AI I/F

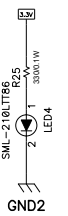
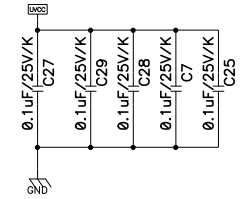
Title		
REA RX62T HVINV with PFC Discrete IGBT+PFC		
Size	Number	Rev
A2	P03301-C0-002	0.06
Checked by	Sakamoto	Approved by Sakamoto
Date	2012/06/14	Drawn by MAEDA
Filename	P03301-C0-002_V006.sch	Sheet 1 of 3

Sheet2  
P03301-C0-004

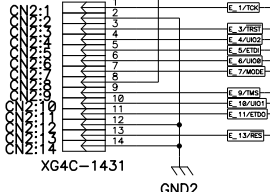
Sheet5  
P03301-C0-001

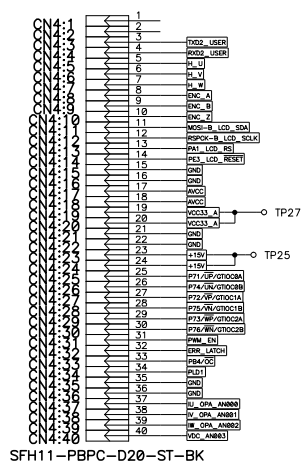


Title		
REA RX62T HVINV with PFC Discreate IGBT+PFC		
Size	Number	Rev
A2	P03301-C0-002	0.06
Checked by	Sakamoto	Approved by Sakamoto
Date	2012/06/14	Drawn by MAEDA
Filename	P03301-C0-002_V006.sch	Sheet 2 of 3

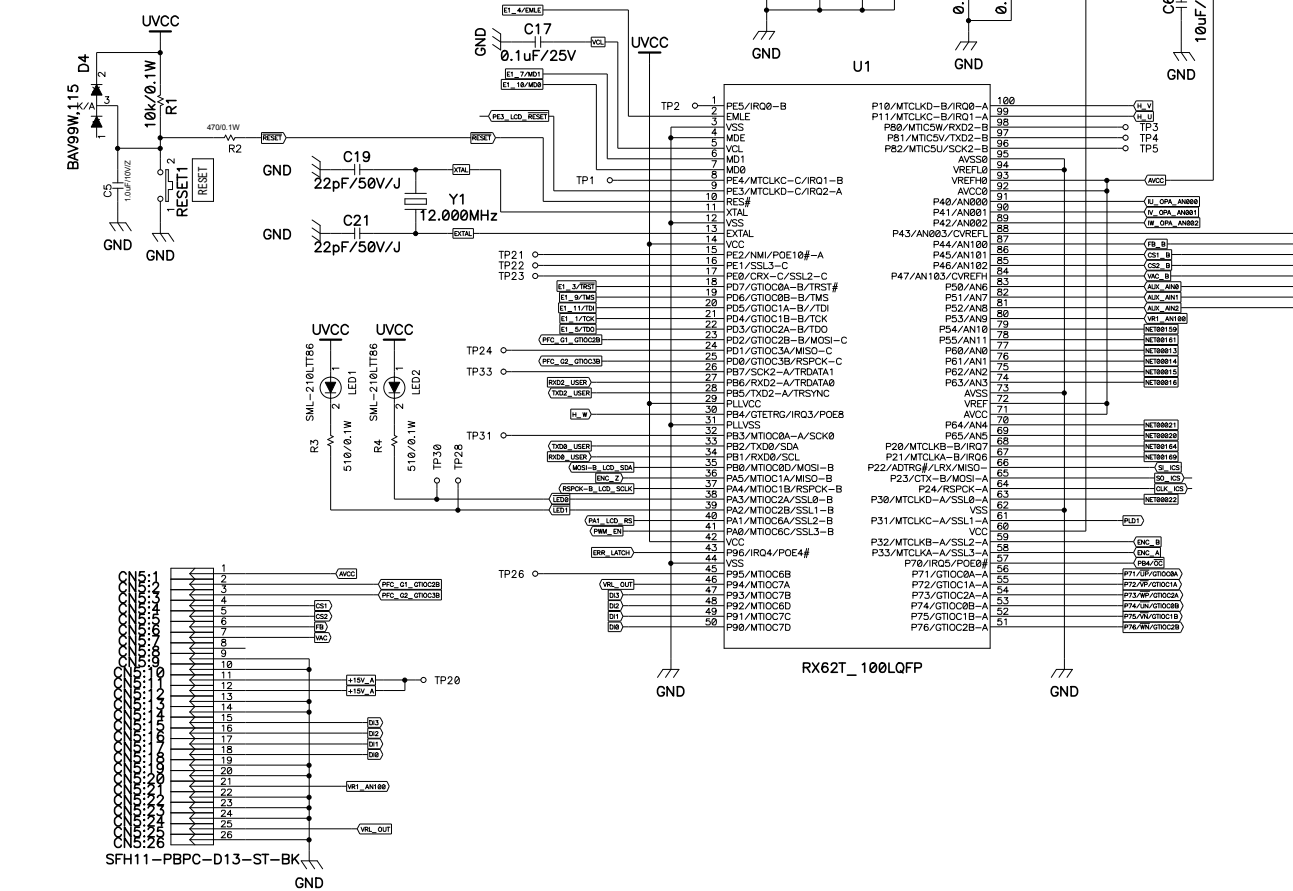


EI Emulator

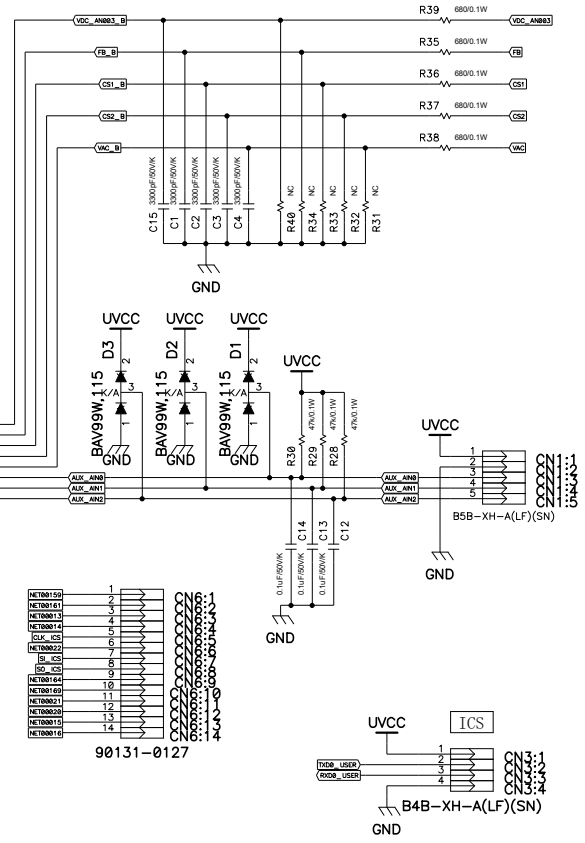
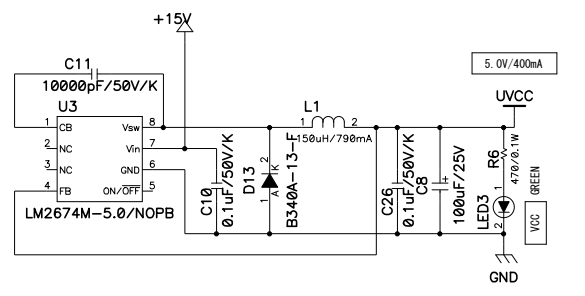




SFH11-PBPC-D20-ST-BK



SFH11-PBPC-D13-ST-BK



Title			REX RX62T HV1NV with PFC Discrete IGBT+PFC		
Size	Number	Rev		0.06	
A2	P03301-C0-002				
Checked by	Sakamoto	Approved by	Sakamoto		
Date	2012/06/14	Drawn by	MAEDA		
Filename	P03301-C0-002_V006.sch	Sheet	3 of 3		