

RA Ecosystem Partner Solution

SX-ULPGN – Ultra-Low-Power Wi-Fi IoT Module



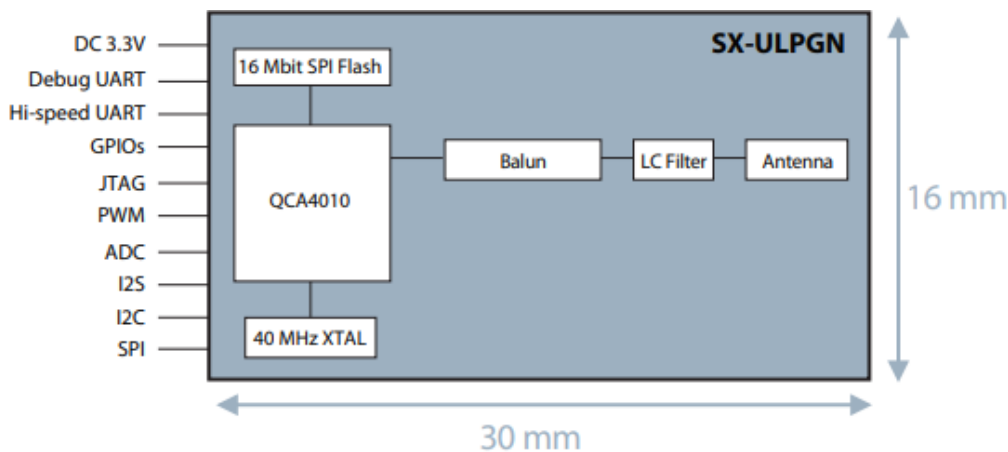
Solution Summary

The SX-ULPGN is an ultra-low-power Wi-Fi IoT module. This low power Wi-Fi IoT module is based on QCA4010 radio from Qualcomm. The SX-ULPGN module is an excellent choice for device OEMs looking to design Wi-Fi connected products in a cost-effective way.

Features/Benefits

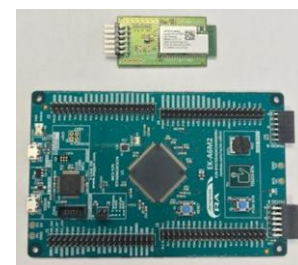
- IEEE 802.11b/g/n-compliant (2.4 GHz)
- QCA4010 Radio
- Single stream system (1x1)
- 20 MHz integrated RF front end
- PCB trace antenna
- Host-less or hosted stack options
- Modular certifications
- AllJoyn support
- Wi-Fi protected setup
- IEEE sleep, fast wake-up, low power Rx
- Up to 800 Kbytes of RAM available for application code

Block Diagram



Target Markets and Applications

- Smart Building
- Appliances and Remote Controls
- Automation, Smart City
- Lighting



Pmod and EK-RA6Mx Kit

<https://www.silextechnology.com/connectivity-solutions/embedded-wireless/sx-ulpgn>

Why Choose Silex Technology?



At Silex Technology, our expertise is built on more than 40 years of hardware and software connectivity know-how and IP, custom design development experience, and manufacturing capabilities. With relentless attention to quality, exclusive access to Qualcomm Atheros silicon and expertise, and strategic partnerships with leading real-time operating system (RTOS) and semiconductor providers, we are the trusted leader in reliable Wi-Fi connectivity.

Silex Technology Support from Design through Deployment



Sales and Support

Americas
sales@silexamerica.com

EMEA
sales@silexeurope.com

Japan
silex@silex.jp
Phone: +81-774-98-3781

China
Phone +86 10 6440 3958

Global Distribution

Arrow Electronics

Future Electronics

Mouser Electronics