

## Introduction

The ISL28005 and ISL28006 are ground-sensing current sense amplifiers that amplify milli-volt current signals developed across sub- $1\Omega$  sense resistors. The simplest type of current sense amplifiers use single stage op amp circuits that take their power from the same voltage source that generates the current to be measured. These are realized using an op amp and a handful of external components to condition the amplifier to requirements of the application. As long as the measured current signal remains within the common mode voltage range of the op amp, these circuits are simple.

Applications where the amplifier operates from a different power source than the load adds complexity, particularly when the measured current is at voltage levels much higher than the op amp supply voltage. In many cases an additional amplifier circuit is needed to perform the voltage translation to step-down the current sense signal to match the common mode input range of the current sense amplifier.

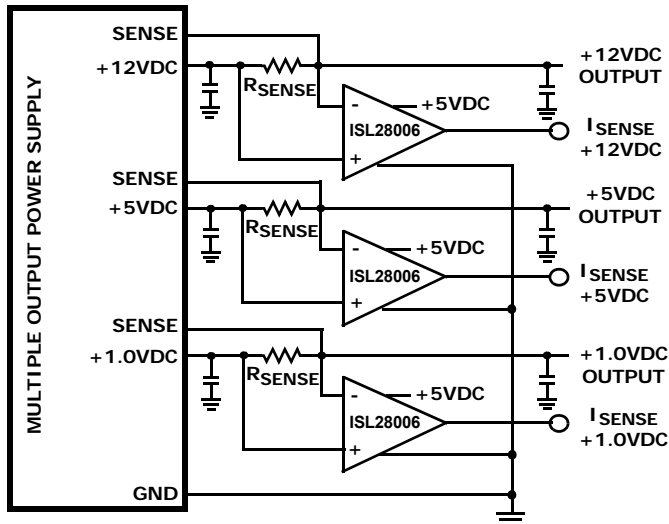


FIGURE 1. TYPICAL APPLICATION CIRCUIT

Current sensing in multi-output power supply systems (see Figure 1) is one application where one or more power supply output voltages must be measured using current sense amplifiers powered from a much lower supply voltage. The ISL2800x family of current sense amplifiers are ideal for these applications because they perform precise current sensing operating from supply voltages as low as 3.3V, while sensing from supply voltages as high as 28V. These current sense amplifiers are very simple, self-contained solutions requiring only an external current sense resistor. The space-saving SOT-23 package and low component count results in very small footprint.

## The ISL2800x Product Family

Within the ISL2800x family are the ISL28005 sub-family of lower cost amplifiers for general sensing applications featuring measurement accuracies better than 4% and input offset voltages less than  $500\mu\text{V}$  over the  $-40^\circ\text{C}$  to  $+125^\circ\text{C}$  temperature range. For greater precision, the ISL28006 sub-family offers gain accuracy and input offset voltages as low as 1% and  $300\mu\text{V}$  over the full temperature range, depending on the device.

Within each family are pin-compatible fixed gain amplifiers in the 5 Ld SOT-23 package. The ISL2800x-20, ISL2800x-50 and ISL2800x-100 are single supply, uni-directional current sense amplifiers with fixed gains of 20V/V, 50V/V and 100V/V respectively. In the ISL28006 family is an additional adjustable-gain version in a 6 Ld SOT-23. The ISL28006-ADJ is a single supply, uni-directional current sense amplifier with an adjustable gain via external resistor (see Figure 2). The ISL28006-ADJ is stable for gains of 20V/V and higher.

## Ground-sensing Diagnostic Features

In addition to the ability to sense current from high input common mode “beyond the rail” voltages, these devices also sense currents at input voltage levels down to 0V, or ground. This ground-sensing feature adds a useful diagnostic capability to the current sensing function.

For example, during normal operation the high-side output current sense (see Figure 1) supplies common mode input voltage to the current sense amplifier equal to the supply voltage. However, in the presence of a power supply fault, (such as an output short circuit or loss of the measured output) the ground sensing feature can still measure current flow, even though the supply voltage is at 0V. In the case of an output short, the current sense will measure the abnormally high current, even though the voltage is at ground. The high current measurement capability at ground level gives the indication that a short circuit has occurred. In the case of a loss of output, a measured current near 0A and a measured voltage near 0V gives the indication that the measured supply has gone open circuit or has been disabled.

## The Two-Amp Topology

The functional block diagram shows the current sense amplifier in Figure 2. Current sensing is performed in two stages. The input stage is a floating amplifier that translates the sense voltage across the resistor into a ground-reference sense voltage at the input to the output amplifier. The wide, 0V to +28V common mode input voltage range is achieved using a voltage sensing comparator to select one of two sense amplifiers, depending on the voltage level measured at the

positive sense terminal (RS+). When the input voltage is higher than ~1.35V, the high-side sense amp is selected. This high side input amplifier has to operate with an input voltage that is higher than the amplifier supply voltage (VCC), so this amplifier is powered from the load.

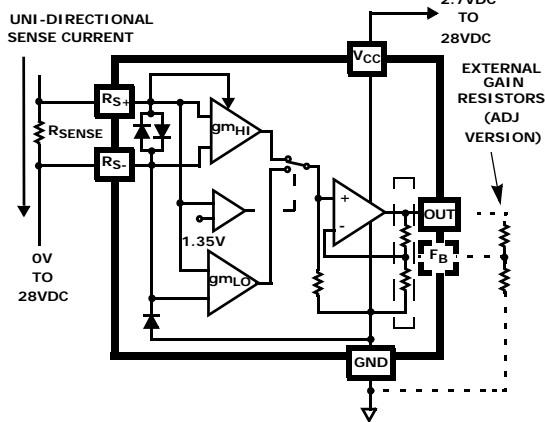


FIGURE 2. FUNCTIONAL BLOCK DIAGRAM

When the voltage at the sense input terminals drops below the 1.35V threshold, the lower sense amplifier is enabled and derives its power from the amplifier's VCC pin.

The second stage contains a single supply voltage feed amplifier in the traditional non-inverting gain configuration providing a high precision buffered DC output suitable for driving A/D converters. The fixed gain X20, X50 and X100 amplifiers in the ISL28005 and ISL28006 families use internal precision thin film gain resistors for excellent thermal tracking and gain linearity. The ISL28006 - ADJ provides an additional FB pin for the connection of external resistors in applications where other gains are required. These output amplifiers feature ground sensing inputs and rail-to-rail outputs over the 2.7V to 28VDC range.

Power supply efficiency is important, so the power consumption of the monitoring functions have to be kept to a minimum. The ISL2800x family accomplishes this in two ways. First, the supply current is kept to a low 60µA. Second, high accuracy and low VOS enable lower current sense shunt resistors for lower shunt dissipation.

### Which Gain to Use?

The maximum full scale input voltage of all products in this family is 200mV, but a 100mV full scale input sense voltage provides the best gain accuracy and linearity. Selecting a shunt resistance that generates 100mV for the maximum current range provides additional margin for momentary current peaks, provided that the corresponding output peaks do not overload the downstream circuits. For example, a 10A full scale (FS) current requires a 10mΩ shunt for a FS input voltage of 100mV, but can handle at least a 20A peak without overdriving the input stage.

Next, the gain of the ISL2800x amplifier can be selected to match the desired FS output voltage range. In the

above 10A FS example, a gain of 20 provides a full scale output of 2V and a max peak voltage output of 4V, which might be suitable for 5V downstream monitoring circuits.

Amplifier gain can also be used to reduce the power consumption in the shunt. In the above example, the power dissipation of the 10A FS through the 10mΩ shunt is 1W. Reducing shunt to 2mΩ reduces dissipation to 0.2W which can reduce measurement error due to the temperature coefficient of the shunt resistor. Switching from the X20 gain to the X100 devices restores the original FS range.

### Optional Transient Protection

For applications where the load and the power source are permanently connected, transient protection are usually not needed. Fast transients generate voltage spikes that can overdrive the amplifier, resulting in a long overload recovery time. Common mode and differential capacitors can be used to filter these spikes.

For applications where high in-rush currents are caused by hot plugging, external protection components may be needed to limit the current through the internal ESD diodes to <20mA. If the current limiting resistor is required, it needs to be placed on the RS- input. Placing it on the RS+ input side will result in a larger error voltage due to the ISL28006 taking its supply current from the sense current in high-side applications.

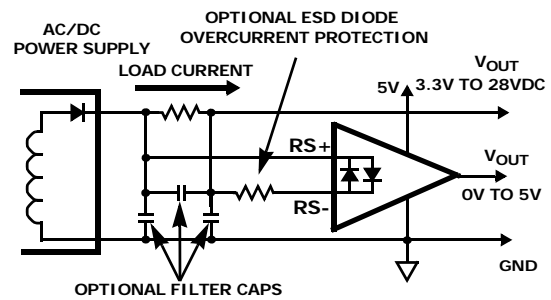


FIGURE 3. FUNCTIONAL BLOCK DIAGRAM

### Conclusion

The ISL28005 and ISL28006 families of current sense amplifiers simplify the design of complex current monitoring circuits. The addition of a ground-sensing measurement capability enables a new level of fault detection that are useful in a wide range of power applications. Their unique features and wide range of gain and accuracy choices make them suitable for use in compact enclosures where high accuracy and low power dissipation are important.

## Notice

1. Descriptions of circuits, software and other related information in this document are provided only to illustrate the operation of semiconductor products and application examples. You are fully responsible for the incorporation or any other use of the circuits, software, and information in the design of your product or system. Renesas Electronics disclaims any and all liability for any losses and damages incurred by you or third parties arising from the use of these circuits, software, or information.
2. Renesas Electronics hereby expressly disclaims any warranties against and liability for infringement or any other claims involving patents, copyrights, or other intellectual property rights of third parties, by or arising from the use of Renesas Electronics products or technical information described in this document, including but not limited to, the product data, drawings, charts, programs, algorithms, and application examples.
3. No license, express, implied or otherwise, is granted hereby under any patents, copyrights or other intellectual property rights of Renesas Electronics or others.
4. You shall not alter, modify, copy, or reverse engineer any Renesas Electronics product, whether in whole or in part. Renesas Electronics disclaims any and all liability for any losses or damages incurred by you or third parties arising from such alteration, modification, copying or reverse engineering.
5. Renesas Electronics products are classified according to the following two quality grades: "Standard" and "High Quality". The intended applications for each Renesas Electronics product depends on the product's quality grade, as indicated below.  
"Standard": Computers; office equipment; communications equipment; test and measurement equipment; audio and visual equipment; home electronic appliances; machine tools; personal electronic equipment; industrial robots; etc.  
"High Quality": Transportation equipment (automobiles, trains, ships, etc.); traffic control (traffic lights); large-scale communication equipment; key financial terminal systems; safety control equipment; etc.  
Unless expressly designated as a high reliability product or a product for harsh environments in a Renesas Electronics data sheet or other Renesas Electronics document, Renesas Electronics products are not intended or authorized for use in products or systems that may pose a direct threat to human life or bodily injury (artificial life support devices or systems; surgical implantations; etc.), or may cause serious property damage (space system; undersea repeaters; nuclear power control systems; aircraft control systems; key plant systems; military equipment; etc.). Renesas Electronics disclaims any and all liability for any damages or losses incurred by you or any third parties arising from the use of any Renesas Electronics product that is inconsistent with any Renesas Electronics data sheet, user's manual or other Renesas Electronics document.
6. When using Renesas Electronics products, refer to the latest product information (data sheets, user's manuals, application notes, "General Notes for Handling and Using Semiconductor Devices" in the reliability handbook, etc.), and ensure that usage conditions are within the ranges specified by Renesas Electronics with respect to maximum ratings, operating power supply voltage range, heat dissipation characteristics, installation, etc. Renesas Electronics disclaims any and all liability for any malfunctions, failure or accident arising out of the use of Renesas Electronics products outside of such specified ranges.
7. Although Renesas Electronics endeavors to improve the quality and reliability of Renesas Electronics products, semiconductor products have specific characteristics, such as the occurrence of failure at a certain rate and malfunctions under certain use conditions. Unless designated as a high reliability product or a product for harsh environments in a Renesas Electronics data sheet or other Renesas Electronics document, Renesas Electronics products are not subject to radiation resistance design. You are responsible for implementing safety measures to guard against the possibility of bodily injury, injury or damage caused by fire, and/or danger to the public in the event of a failure or malfunction of Renesas Electronics products, such as safety design for hardware and software, including but not limited to redundancy, fire control and malfunction prevention, appropriate treatment for aging degradation or any other appropriate measures. Because the evaluation of microcomputer software alone is very difficult and impractical, you are responsible for evaluating the safety of the final products or systems manufactured by you.
8. Please contact a Renesas Electronics sales office for details as to environmental matters such as the environmental compatibility of each Renesas Electronics product. You are responsible for carefully and sufficiently investigating applicable laws and regulations that regulate the inclusion or use of controlled substances, including without limitation, the EU RoHS Directive, and using Renesas Electronics products in compliance with all these applicable laws and regulations. Renesas Electronics disclaims any and all liability for damages or losses occurring as a result of your noncompliance with applicable laws and regulations.
9. Renesas Electronics products and technologies shall not be used for or incorporated into any products or systems whose manufacture, use, or sale is prohibited under any applicable domestic or foreign laws or regulations. You shall comply with any applicable export control laws and regulations promulgated and administered by the governments of any countries asserting jurisdiction over the parties or transactions.
10. It is the responsibility of the buyer or distributor of Renesas Electronics products, or any other party who distributes, disposes of, or otherwise sells or transfers the product to a third party, to notify such third party in advance of the contents and conditions set forth in this document.
11. This document shall not be reprinted, reproduced or duplicated in any form, in whole or in part, without prior written consent of Renesas Electronics.
12. Please contact a Renesas Electronics sales office if you have any questions regarding the information contained in this document or Renesas Electronics products.  
(Note 1) "Renesas Electronics" as used in this document means Renesas Electronics Corporation and also includes its directly or indirectly controlled subsidiaries.  
(Note 2) "Renesas Electronics product(s)" means any product developed or manufactured by or for Renesas Electronics.

(Rev.4.0-1 November 2017)



### SALES OFFICES

Renesas Electronics Corporation

<http://www.renesas.com>

Refer to "<http://www.renesas.com/>" for the latest and detailed information.

**Renesas Electronics America Inc.**  
1001 Murphy Ranch Road, Milpitas, CA 95035, U.S.A.  
Tel: +1-408-432-8888, Fax: +1-408-434-5351

**Renesas Electronics Canada Limited**  
9251 Yonge Street, Suite 8309 Richmond Hill, Ontario Canada L4C 9T3  
Tel: +1-905-237-2004

**Renesas Electronics Europe Limited**  
Dukes Meadow, Millboard Road, Bourne End, Buckinghamshire, SL8 5FH, U.K  
Tel: +44-1628-651-700, Fax: +44-1628-651-804

**Renesas Electronics Europe GmbH**  
Arcadiastrasse 10, 40472 Düsseldorf, Germany  
Tel: +49-211-6503-0, Fax: +49-211-6503-1327

**Renesas Electronics (China) Co., Ltd.**  
Room 1709 Quantum Plaza, No.27 ZhichunLu, Haidian District, Beijing, 100191 P. R. China  
Tel: +86-10-8235-1155, Fax: +86-10-8235-7679

**Renesas Electronics (Shanghai) Co., Ltd.**  
Unit 301, Tower A, Central Towers, 555 Langao Road, Putuo District, Shanghai, 200333 P. R. China  
Tel: +86-21-2226-0888, Fax: +86-21-2226-0999

**Renesas Electronics Hong Kong Limited**  
Unit 1601-1611, 16/F., Tower 2, Grand Century Place, 193 Prince Edward Road West, Mongkok, Kowloon, Hong Kong  
Tel: +852-2265-6688, Fax: +852-2886-9022

**Renesas Electronics Taiwan Co., Ltd.**  
13F, No. 363, Fu Shing North Road, Taipei 10543, Taiwan  
Tel: +886-2-8175-9600, Fax: +886-2-8175-9670

**Renesas Electronics Singapore Pte. Ltd.**  
80 Bendemeer Road, Unit #06-02 Hyflux Innovation Centre, Singapore 339949  
Tel: +65-6213-0200, Fax: +65-6213-0300

**Renesas Electronics Malaysia Sdn.Bhd.**  
Unit 1207, Block B, Menara Amcorp, Amcorp Trade Centre, No. 18, Jln Persiaran Barat, 46050 Petaling Jaya, Selangor Darul Ehsan, Malaysia  
Tel: +60-3-7955-9390, Fax: +60-3-7955-9510

**Renesas Electronics India Pvt. Ltd.**  
No.777C, 100 Feet Road, HAL 2nd Stage, Indiranagar, Bangalore 560 038, India  
Tel: +91-80-67208700, Fax: +91-80-67208777

**Renesas Electronics Korea Co., Ltd.**  
17F, KAMCO Yangjae Tower, 262, Gangnam-daero, Gangnam-gu, Seoul, 06265 Korea  
Tel: +82-2-558-3737, Fax: +82-2-558-5338