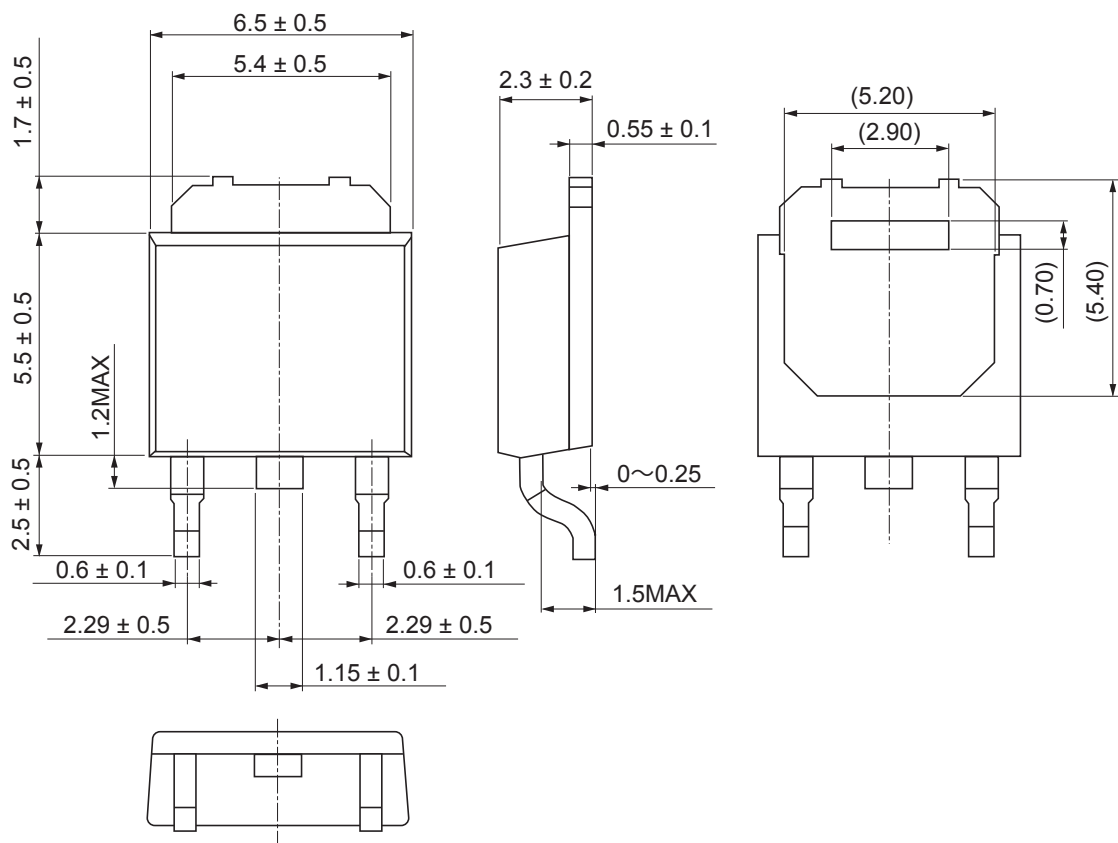


Package Name	JEITA Package Code	RENESAS Code	Previous Code	MASS (Typ) [g]
DPAK(S)-(3)	SC-63	PRSS0004ZD-E	—	0.32

Unit: mm



(注1) 公差指定の無い寸法は代表値を示す。
 (Note1) The dimensional figures indicate representative values unless otherwise the tolerance is specified.