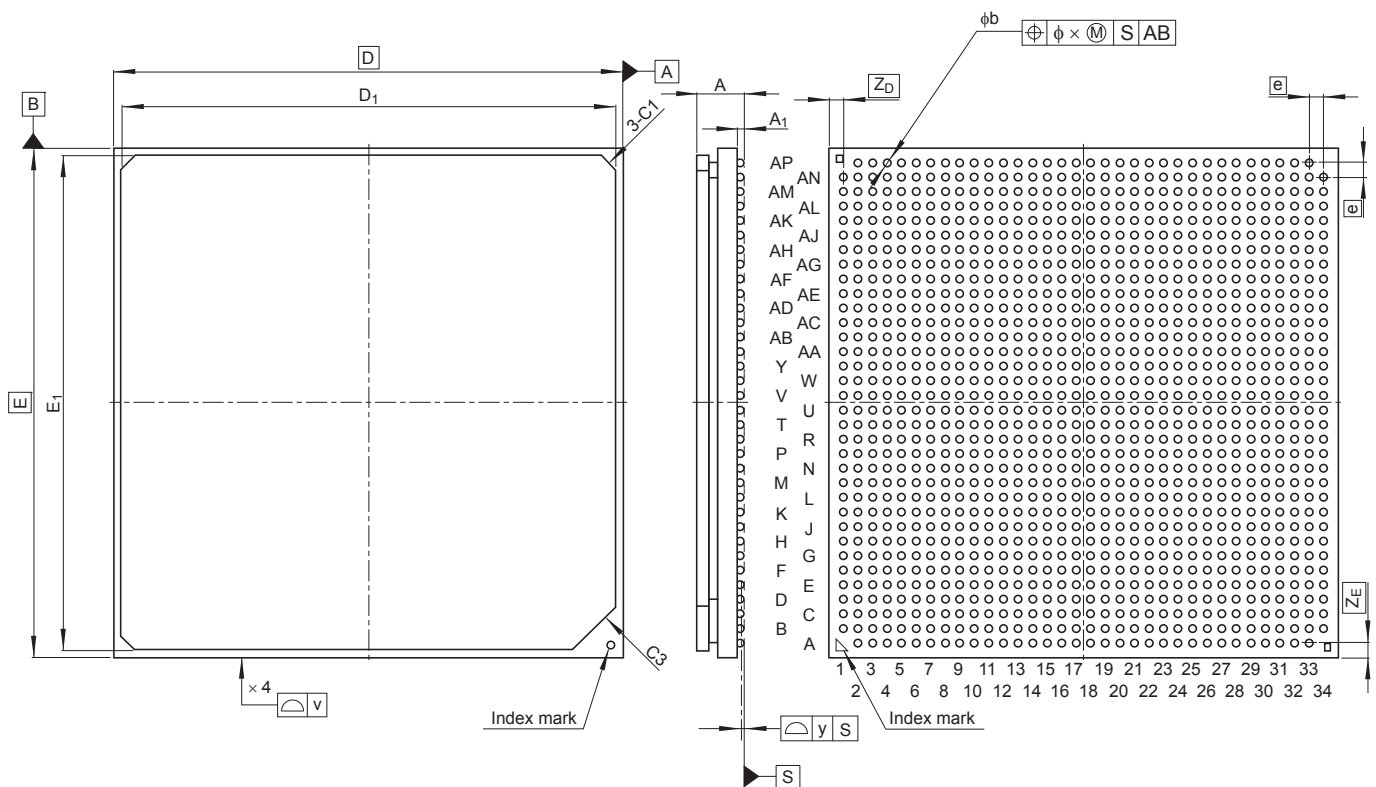


JEITA Package Code	RENESAS Code	Previous Code	MASS (Typ) [g]
P-HBGA1152-35x35-1.00	PRBG1152FA-A	B52F7N-A	15.4

Unit: mm



Reference Symbol	Dimensions in millimeters		
	Min	Nom	Max
\boxed{D}	—	35.0	—
\boxed{E}	—	35.0	—
v	—	—	0.2
A	—	—	3.5
A ₁	0.4	0.5	0.6
\boxed{e}	—	1.0	—
b	0.5	0.6	0.7
x	—	—	0.30
y	—	—	0.20
$\boxed{Z_D}$	—	1.0	—
$\boxed{Z_E}$	—	1.0	—
D ₁	33.9	34.0	34.1
E ₁	33.9	34.0	34.1