

# RF AMPLIFIERS WITH ZERO-DISTORTION™ TECHNOLOGY



Renesas’s RF amplifier portfolio offers a variety of gain, noise figure and linearity features, in either differential or single-ended input impedances. The products feature innovative Zero-Distortion™ technology, enabling high output IP3 with very low current consumption – setting them apart from simple gain block amplifiers.

In addition, the RF amplifiers feature built-in broadband baluns to support wideband applications with differential inputs and outputs. The products are designed for high-reliability operation, using a SiGe amplifier die together with an integrated passive device (IPD) die and proven, high-volume QFN packaging.

## Features

- Silicon-based for improved  $\Theta_{JC}$  and Class 2 ESD
- Flat gain across wide bandwidths
- Zero-Distortion™ technology
- Consistent performance over operating conditions
- Narrow gain variation over voltage and temperature

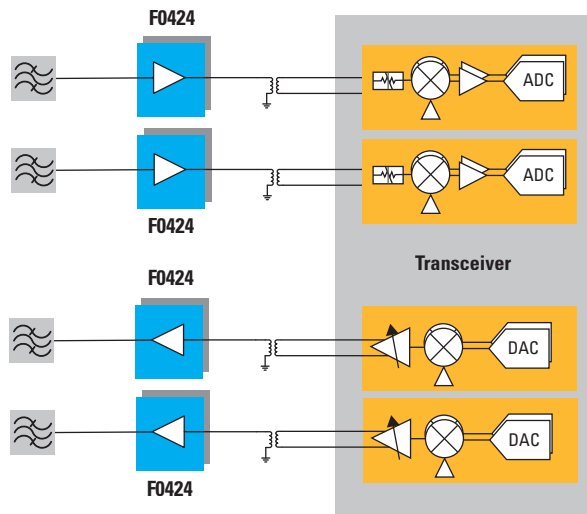
## Silicon advantages

Renesas RF Amplifiers utilize advanced RF silicon semiconductor technology offering advantages over other technologies such as GaAs

- Manufacturing robustness with:
  - Higher electrostatic discharge (ESD) immunity
  - MSL1 moisture sensitivity-level performance
- Excellent RF performance over temperature with low current drain
- Higher reliability
- Higher levels of integration with simpler packaging assemblies that lower total cost

## Applications

- Wireless base stations
- Repeaters and DAS
- Point-to-point infrastructure
- Public Safety infrastructure
- Military communication
- Industrial equipment

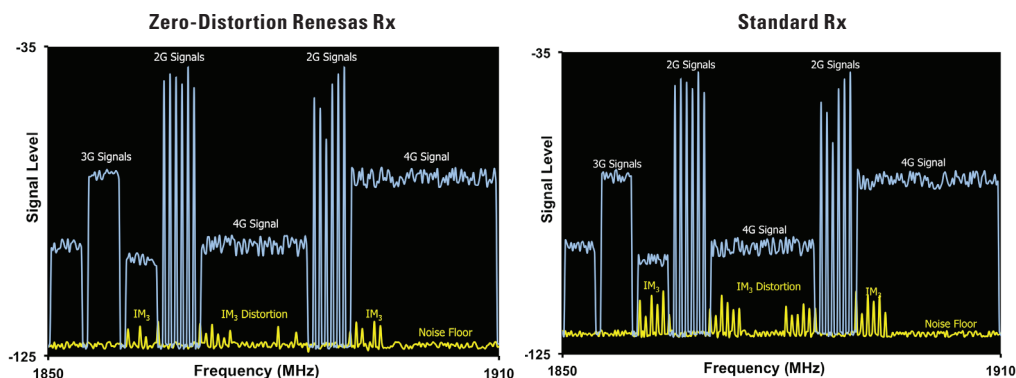


## ZERO-DISTORTION™



### Renesas RF Mixers and IF Variable Gain Amplifiers

Renesas devices improve SNR by reducing the noise floor and IM3 intermodulation distortion.



### Driver Amplifiers

Part Number	Frequency (GHz)	Gain (dB)	NF (dB)	OP1dB (dBm)	OIP3 (dBm)	Voltage (V)	Current (mA)	Package (mm)
F0424	0.6 – 5.0	17	2.3	21	40	3.3 / 5	70	2 x 2, 8-Pin
F1420	0.7 – 1.1	17.4	4.5	23.2	42	5	105	4 x 4, 24-Pin
F1421	1.7 – 2.2	20.3	5.5	23	40	5	138	4 x 4, 24-Pin
F1471	0.4 – 4.2	17	4.3	28.5	39	5	130	3 x 3, 16-Pin
F1475	3.3 – 4.2	21	5	30	–	5	120	3 x 3, 16-Pin
F1478	1.8 – 5	30.3	1.6	23.6	35.7	5	140	3 x 3, 16-Pin
F1490	1.8 – 5	39.5 / 35.5 <sup>1</sup>	2.5	24	38	5	75	3 x 3, 16-Pin
F1491	3.3 – 5.0	39.5 / 35.5 <sup>1</sup>	2.5	24	34	5	75	3 x 3, 16-Pin
F1495	3.3 – 4.2	40	5	30	–	5	120	3 x 3, 16-Pin

### Interface Amplifiers

Part Number	Frequency (GHz)	Input	Output	Gain (dB)	NF (dB)	OP1dB (dBm)	OIP3 (dBm)	Voltage (V)	Current (mA)	Package (mm)
F1129LB	1.4 – 3.2	50Ω SE	100Ω DIFF	20	1.6	20.5	36	3.3 / 5	61	2 x 2, 12-Pin
F1129MB	3 – 4.2	50Ω SE	100Ω DIFF	19	1.8	18	32	3.3 / 5	60	2 x 2, 12-Pin
F1129HB	4 – 6	50Ω SE	100Ω DIFF	18	2.3	18	32	3.3 / 5	70	2 x 2, 12-Pin
F1423	0.6 – 3.0	50Ω DIFF	50Ω SE	13.1	5.1	21.5	41.8	5	120	4 x 4, 24-Pin
F1429LB	1.4 – 3.2	100Ω DIFF	50Ω SE	21.5	1.9	22	40	3.3 / 5	64	2 x 2, 12-Pin
F1429MB	3.0 – 4.2	100Ω DIFF	50Ω SE	21	1.8	21	40	3.3 / 5	73	2 x 2, 12-Pin
F1429HB	4 – 6	100Ω DIFF	50Ω SE	18	2	20	36	3.3 / 5	70	2 x 2, 12-Pin

To request samples, download documentation or learn more visit: [renesas.com/rfamps](https://www.renesas.com/rfamps)



Renesas Electronics America Inc. | [renesas.com](https://www.renesas.com)  
1001 Murphy Ranch Road, Milpitas, CA 95035 | Phone: 1-888-468-3774

© 2022 Renesas Electronics America Inc. (REA). All rights reserved. All trademarks are the property of their respective owners. REA believes the information herein was accurate when given but assumes no risk as to its quality or use. All information is provided as-is without warranties of any kind, whether express, implied, statutory, or arising from course of dealing, usage, or trade practice, including without limitation as to merchantability, fitness for a particular purpose, or non-infringement. REA shall not be liable for any direct, indirect, special, consequential, incidental, or other damages whatsoever, arising from use of or reliance on the information herein, if advised of the possibility of such damages. REA reserves the right, without notice, to discontinue products or make changes to the design or specifications of its products or other information herein. All contents are protected by U.S. and international copyright laws. Except as specifically permitted herein, no portion of this material may be reproduced in any form, or by any means, without prior written permission from Renesas Electronics America Inc. Visitors or users are not permitted to modify, distribute, publish, transmit or create derivative works of any of this material for any public or commercial purposes.