

RS-485

External Fail-Safe Biasing for Isolated Long Haul Buses

AN1987
Rev.0.00
May 1, 2017

Abstract

Fail-safe biasing is a method of generating a minimum differential bus voltage, V_{AB} , during periods of time when the bus is not actively driven. In this case, V_{AB} must be larger than the sum of the receiver input switching threshold for rising edges, V_{TH+} , and the expected differential peak noise voltage V_N . This ensures that all receivers connected to the bus output logic are high during bus idling.

Though modern *full fail-safe* transceivers can detect zero bus voltage conditions by having V_{TH+} offset to slightly negative values, the small offset is no match for the large noise pick-up encountered in harsh industrial environments, particularly in long haul buses.

While there is plenty of literature available on external fail-safe biasing, most of it concerns short-distance, non-isolated bus systems neglecting the cable DC resistance.

This application note, however, explains fail-safe biasing for isolated long haul buses and thus, takes the cable resistance into consideration. With the help of a symmetrical, dual fail-safe biasing model, this application note derives the equations for calculating the resistor values of these networks.

Contents

1. Introduction	2
2. Idle-Bus Model	3
3. Calculation Example for Maximum Differential Loading	5
4. Conclusion	6

List of Figures

Figure 1. Isolated RS-485 Bus with Transceiver Input Impedances Being Purely Differential	2
Figure 2. Lumped Equivalent Model and its Reduction to a Simple Voltage Divider	3

1. Introduction

Long haul RS-485 networks use isolated transceiver circuits to free the bus from the large ground potential differences that exist between the local Earth grounds of remote located bus nodes. Unlike non-isolated networks, where the transceiver input impedances present Common-Mode (CM) loads to a bus, isolated networks do not suffer from CM loading. Since all bus node grounds are galvanically isolated from one another, only differential currents flow, making the transceiver input impedances appear as purely differential loads. [Figure 1](#) shows a typical isolated bus with only differential current flow.

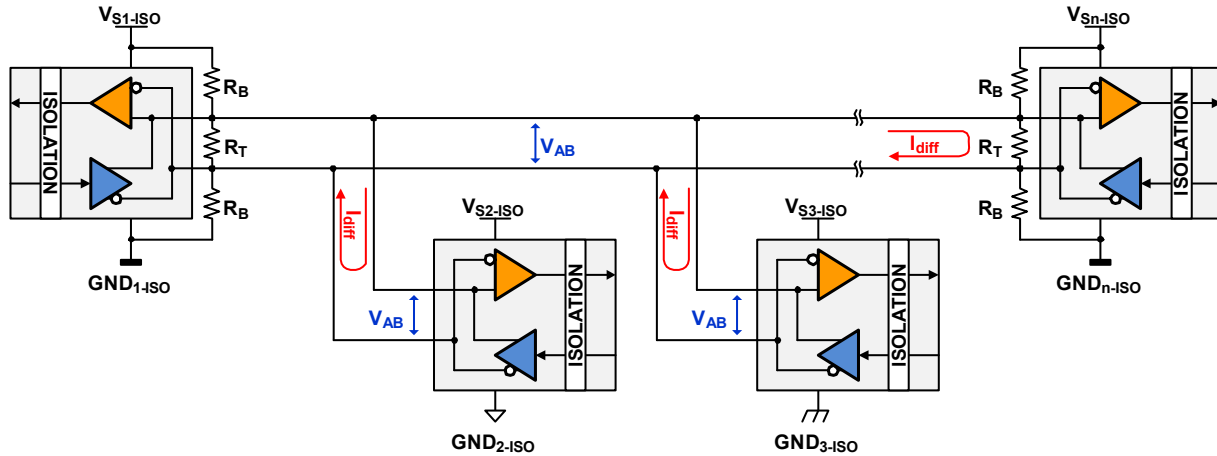


Figure 1. Isolated RS-485 Bus with Transceiver Input Impedances Being Purely Differential

2. Idle-Bus Model

Long distance buses use two fail-safe biasing networks, one at each cable end to maintain a relative constant V_{AB} across the bus. Figure 2 shows a lumped equivalent model of the circuit in Figure 1 on page 2 for an idle bus condition. Here, R_B and R_T are the biasing and termination resistors respectively, and R_{INEQ} is the equivalent input resistance of all bus transceivers.

To ensure maximum loading to each biasing network, R_{INEQ} is placed in the middle of the bus. Due to circuit symmetry, both biasing networks drive the same amount of current through R_{INEQ} . By converting R_{INEQ} into the parallel combination of two resistors with twice the value ($R_{INEQ} = 2R_{INEQ} \parallel 2R_{INEQ}$), we can split the left circuit into two identical voltage dividers, one of which we will be using as the calculation model.

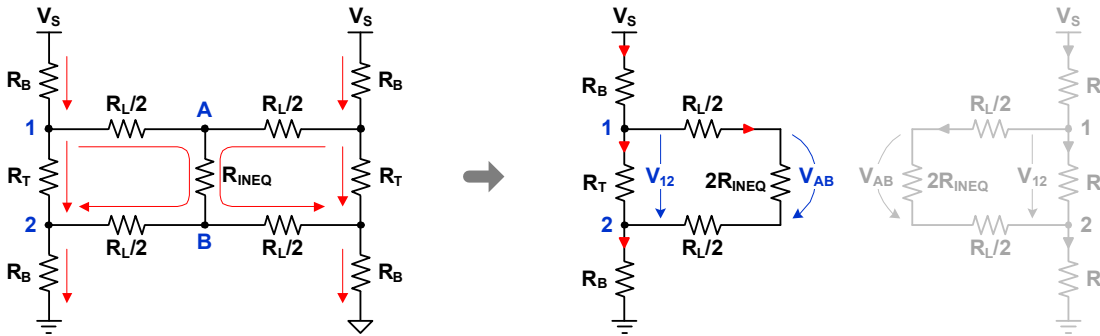


Figure 2. Lumped Equivalent Model and its Reduction to a Simple Voltage Divider

Prior to deriving the equations for calculating the resistor values, we establish the conditions that must be satisfied for line termination and differential loading.

For line impedance matching during normal operation, the series combination of the two biasing resistors in parallel with the termination resistor, R_T , must match the characteristic cable impedance: $Z_0 = 2R_B \parallel R_T$. Thus, for a given value of R_B , R_T becomes:

$$R_T = \frac{2R_B \cdot Z_0}{2R_B - Z_0} = \frac{2R_B \cdot 120\Omega}{2R_B - 120\Omega} \quad (\text{EQ. 1})$$

RS-485 specifies the maximum differential load for a standard compliant transceiver with $R_D = 54\Omega$, which includes the parallel combination of the two line terminations of $Z_0/2 = 60\Omega$. The minimum value of R_{INEQ} is therefore limited to:

$$R_{INEQ} = \frac{Z_0/2 \cdot R_D}{Z_0/2 - R_D} = \frac{60\Omega \cdot 54\Omega}{60\Omega - 54\Omega} = 540\Omega \quad (\text{EQ. 2})$$

The total cable resistance, R_L , is a function of the bus length, L , and the cable specific DC resistance DCR:

$$R_L = L \cdot \text{DCR} \quad (\text{EQ. 3})$$

For a typical RS-485 cable, such as the Belden 3105A, DCR is in the range of $0.05\Omega/\text{m}$. To receive R_L in ohms (Ω), L must be applied in meters (m).

To find the equation for calculating R_B , we determine the differential bus voltages at the biasing network and at the middle of the bus:

$$V_{12} = V_S \cdot \frac{R_T \parallel (R_L + 2R_{INEQ})}{2R_B + R_T \parallel (R_L + 2R_{INEQ})} \quad (\text{EQ. 4})$$

$$V_{AB} = V_{12} \cdot \frac{2R_{INEQ}}{R_L + 2R_{INEQ}} \quad (\text{EQ. 5})$$

Inserting Equations 1 through 4 into Equation 5 provides the final DC-bus idle voltage:

$$V_{AB} = \frac{V_S}{R_B \cdot \left(\frac{L \cdot DCR}{Z_0 R_{INEQ}} + \frac{1}{R_D} \right)} \quad (\text{EQ. 6})$$

Solving for R_B yields the minimum required bias resistor value:

$$R_B = \frac{V_S / V_{AB}}{\frac{L \cdot DCR}{Z_0 R_{INEQ}} + \frac{1}{R_D}} \quad (\text{EQ. 7})$$

Inserting the actual values of $DCR = 0.05\Omega/\text{m}$, $Z_0 = 120\Omega$, $R_{INEQ} = 540\Omega$, and $R_D = 54\Omega$, provides the minimum R_B value for maximum loading. Eliminating all decimal powers presents R_B in $k\Omega$:

$$R_B (k\Omega) = \frac{V_S / V_{AB}}{L/1296 + 18.52} \quad (\text{EQ. 8})$$

3. Calculation Example for Maximum Differential Loading

Assuming a bus segment length of $L = 1600\text{m}$ (1 mile) with maximum differential loading of $R_{\text{INEQ}} = 540\Omega$, while assuring a minimum fail-safe voltage of $V_{\text{AB}} = 200\text{mV}$, at a minimum supply of $V_{\text{S}} = 4.5\text{V}$, requires a minimum R_{B} value of:

$$R_{\text{B}} = \frac{V_{\text{S}}/V_{\text{AB}}}{L/1296 + 18.52} = \frac{4.5/0.2}{1600/1296 + 18.52} = 1.14\text{k}\Omega$$

The termination resistor required to match the line impedance is calculated with [\(EQ. 2\)](#):

$$R_{\text{T}} = \frac{2R_{\text{B}} \cdot Z_0}{2R_{\text{B}} - Z_0} = \frac{2 \cdot 1.14\text{k}\Omega \cdot 120\Omega}{2 \cdot 1.14\text{k}\Omega - 120\Omega} = 127\Omega$$

The maximum number of bus transceivers is calculated by dividing the single transceiver input impedance through the equivalent input impedance:

$$n_{\text{XCVR}} = \frac{R_{\text{IN}}}{R_{\text{INEQ}}} \quad (\text{EQ. 9})$$

R_{IN} , however, depends on the transceiver's Unit Load (UL) rating. A 1UL transceiver has a nominal common-mode input resistance of $12\text{k}\Omega$, measured between the bus input and ground. Its differential input resistance (measured between inputs), is therefore twice as high, $24\text{k}\Omega$. In contrast, a 1/8UL transceiver has 1/8 the input current and hence an 8-times higher input resistance of $192\text{k}\Omega$.

Using [\(EQ. 9\)](#), the maximum transceiver numbers for 1UL and 1/8UL transceivers are:

$$n_{1\text{UL}} = \frac{24\text{k}\Omega}{540\Omega} = 44 \quad \text{and} \quad n_{1/8\text{UL}} = \frac{192\text{k}\Omega}{540\Omega} = 355, \text{ respectively.}$$

4. Conclusion

External fail-safe biasing networks ensure stable network node operation during bus idle times. For maximum noise margin use full fail-safe transceivers whose positive input threshold is below $0V_{AB}$. Any DC bias level above that is pure noise margin and helps to maintain high R_B values. An excellent transceiver family designed for high noise environments is Intersil's ISL315x family of half- and full-duplex transceivers with high output drive capability, full-fail-safe features, and small ($\leq 1/8$) UL rating.

Notice

1. Descriptions of circuits, software and other related information in this document are provided only to illustrate the operation of semiconductor products and application examples. You are fully responsible for the incorporation or any other use of the circuits, software, and information in the design of your product or system. Renesas Electronics disclaims any and all liability for any losses and damages incurred by you or third parties arising from the use of these circuits, software, or information.
 2. Renesas Electronics hereby expressly disclaims any warranties against and liability for infringement or any other claims involving patents, copyrights, or other intellectual property rights of third parties, by or arising from the use of Renesas Electronics products or technical information described in this document, including but not limited to, the product data, drawings, charts, programs, algorithms, and application examples.
 3. No license, express, implied or otherwise, is granted hereby under any patents, copyrights or other intellectual property rights of Renesas Electronics or others.
 4. You shall not alter, modify, copy, or reverse engineer any Renesas Electronics product, whether in whole or in part. Renesas Electronics disclaims any and all liability for any losses or damages incurred by you or third parties arising from such alteration, modification, copying or reverse engineering.
 5. Renesas Electronics products are classified according to the following two quality grades: "Standard" and "High Quality". The intended applications for each Renesas Electronics product depends on the product's quality grade, as indicated below.
"Standard": Computers; office equipment; communications equipment; test and measurement equipment; audio and visual equipment; home electronic appliances; machine tools; personal electronic equipment; industrial robots; etc.
"High Quality": Transportation equipment (automobiles, trains, ships, etc.); traffic control (traffic lights); large-scale communication equipment; key financial terminal systems; safety control equipment; etc.
Unless expressly designated as a high reliability product or a product for harsh environments in a Renesas Electronics data sheet or other Renesas Electronics document, Renesas Electronics products are not intended or authorized for use in products or systems that may pose a direct threat to human life or bodily injury (artificial life support devices or systems; surgical implantations; etc.), or may cause serious property damage (space system; undersea repeaters; nuclear power control systems; aircraft control systems; key plant systems; military equipment; etc.). Renesas Electronics disclaims any and all liability for any damages or losses incurred by you or any third parties arising from the use of any Renesas Electronics product that is inconsistent with any Renesas Electronics data sheet, user's manual or other Renesas Electronics document.
 6. When using Renesas Electronics products, refer to the latest product information (data sheets, user's manuals, application notes, "General Notes for Handling and Using Semiconductor Devices" in the reliability handbook, etc.), and ensure that usage conditions are within the ranges specified by Renesas Electronics with respect to maximum ratings, operating power supply voltage range, heat dissipation characteristics, installation, etc. Renesas Electronics disclaims any and all liability for any malfunctions, failure or accident arising out of the use of Renesas Electronics products outside of such specified ranges.
 7. Although Renesas Electronics endeavors to improve the quality and reliability of Renesas Electronics products, semiconductor products have specific characteristics, such as the occurrence of failure at a certain rate and malfunctions under certain use conditions. Unless designated as a high reliability product or a product for harsh environments in a Renesas Electronics data sheet or other Renesas Electronics document, Renesas Electronics products are not subject to radiation resistance design. You are responsible for implementing safety measures to guard against the possibility of bodily injury, injury or damage caused by fire, and/or danger to the public in the event of a failure or malfunction of Renesas Electronics products, such as safety design for hardware and software, including but not limited to redundancy, fire control and malfunction prevention, appropriate treatment for aging degradation or any other appropriate measures. Because the evaluation of microcomputer software alone is very difficult and impractical, you are responsible for evaluating the safety of the final products or systems manufactured by you.
 8. Please contact a Renesas Electronics sales office for details as to environmental matters such as the environmental compatibility of each Renesas Electronics product. You are responsible for carefully and sufficiently investigating applicable laws and regulations that regulate the inclusion or use of controlled substances, including without limitation, the EU RoHS Directive, and using Renesas Electronics products in compliance with all these applicable laws and regulations. Renesas Electronics disclaims any and all liability for damages or losses occurring as a result of your noncompliance with applicable laws and regulations.
 9. Renesas Electronics products and technologies shall not be used for or incorporated into any products or systems whose manufacture, use, or sale is prohibited under any applicable domestic or foreign laws or regulations. You shall comply with any applicable export control laws and regulations promulgated and administered by the governments of any countries asserting jurisdiction over the parties or transactions.
 10. It is the responsibility of the buyer or distributor of Renesas Electronics products, or any other party who distributes, disposes of, or otherwise sells or transfers the product to a third party, to notify such third party in advance of the contents and conditions set forth in this document.
 11. This document shall not be reprinted, reproduced or duplicated in any form, in whole or in part, without prior written consent of Renesas Electronics.
 12. Please contact a Renesas Electronics sales office if you have any questions regarding the information contained in this document or Renesas Electronics products.
- (Note 1) "Renesas Electronics" as used in this document means Renesas Electronics Corporation and also includes its directly or indirectly controlled subsidiaries.
(Note 2) "Renesas Electronics product(s)" means any product developed or manufactured by or for Renesas Electronics.

(Rev.4.0-1 November 2017)



SALES OFFICES

Renesas Electronics Corporation

<http://www.renesas.com>

Refer to "<http://www.renesas.com/>" for the latest and detailed information.

Renesas Electronics America Inc.
1001 Murphy Ranch Road, Milpitas, CA 95035, U.S.A.
Tel: +1-408-432-8888, Fax: +1-408-434-5351

Renesas Electronics Canada Limited
9251 Yonge Street, Suite 8309 Richmond Hill, Ontario Canada L4C 9T3
Tel: +1-905-237-2004

Renesas Electronics Europe Limited
Dukes Meadow, Millboard Road, Bourne End, Buckinghamshire, SL8 5FH, U.K
Tel: +44-1628-651-700, Fax: +44-1628-651-804

Renesas Electronics Europe GmbH
Arcadiastrasse 10, 40472 Düsseldorf, Germany
Tel: +49-211-6503-0, Fax: +49-211-6503-1327

Renesas Electronics (China) Co., Ltd.
Room 1709 Quantum Plaza, No.27 ZhichunLu, Haidian District, Beijing, 100191 P. R. China
Tel: +86-10-8235-1155, Fax: +86-10-8235-7679

Renesas Electronics (Shanghai) Co., Ltd.
Unit 301, Tower A, Central Towers, 555 Langao Road, Putuo District, Shanghai, 200333 P. R. China
Tel: +86-21-2226-0888, Fax: +86-21-2226-0999

Renesas Electronics Hong Kong Limited
Unit 1601-1611, 16/F., Tower 2, Grand Century Place, 193 Prince Edward Road West, Mongkok, Kowloon, Hong Kong
Tel: +852-2265-6688, Fax: +852-2886-9022

Renesas Electronics Taiwan Co., Ltd.
13F, No. 363, Fu Shing North Road, Taipei 10543, Taiwan
Tel: +886-2-8175-9600, Fax: +886-2-8175-9670

Renesas Electronics Singapore Pte. Ltd.
80 Bendemeer Road, Unit #06-02 Hyflux Innovation Centre, Singapore 339949
Tel: +65-6213-0200, Fax: +65-6213-0300

Renesas Electronics Malaysia Sdn.Bhd.
Unit 1207, Block B, Menara Amcorp, Amcorp Trade Centre, No. 18, Jln Persiaran Barat, 46050 Petaling Jaya, Selangor Darul Ehsan, Malaysia
Tel: +60-3-7955-9390, Fax: +60-3-7955-9510

Renesas Electronics India Pvt. Ltd.
No.777C, 100 Feet Road, HAL 2nd Stage, Indiranagar, Bangalore 560 038, India
Tel: +91-80-67208700, Fax: +91-80-67208777

Renesas Electronics Korea Co., Ltd.
17F, KAMCO Yangjae Tower, 262, Gangnam-daero, Gangnam-gu, Seoul, 06265 Korea
Tel: +82-2-558-3737, Fax: +82-2-558-5338