

ISL3152E

Transient Protection for the Standard RS-485 Transceiver: ISL3152E

AN1985
Rev.0.00
Jul 17, 2017

Abstract

Standard compliant RS-485 transceivers, such as the ISL3152E, have asymmetric stand-off voltages of -9V and +14V. This requires a bidirectional TVS with asymmetric breakdown voltages. The only device satisfying this requirement is the 400W TVS, SM712 from Semtech. This application note provides the schematic, bill of materials, and layout guidelines for a transient protection circuit for the ISL3152E transceiver.

Contents

1. Asymmetric Transient Voltage Suppressor SM712	2
2. TVS Design Cautions	3
3. Layout Suggestions	4

List of Figures

Figure 1. SM712	2
Figure 2. Transceiver Damage Due to Zener Sharing High Transient Current with External TVS	3
Figure 3. IEC61000-4-5 Level 2 (1kV) Surge Protection and Associated Bill of Materials	3
Figure 4. Suggested PCB Layout with Ground and V _{CC} Layers	4

Related Literature

For more detailed information on transient protection for RS-485 transceivers, refer to the following application notes on our website [ISL3152E](#).

- AN1976: Important Transient Immunity Tests for RS-485 Networks
- AN1977: Transient Voltage Suppressors: Operation and Features
- AN1978: Surge Protection for Intersil's Standard RS-485 Transceivers
- AN1979: Surge Protection simplified with Intersil's Overvoltage Protected (OVP) Transceivers

1. Asymmetric Transient Voltage Suppressor SM712

The SM712 transient voltage suppressor (TVS) is designed for asymmetrical (+12 to -7V) protection in standard RS-485 applications. The device is used to protect transceivers against transient voltages resulting from Electrostatic Discharge (ESD), Electrical Fast Transients (EFT), and lightning. The SM712 integrates two 12V and two 7V TVS diodes in a single SOT23 package. It is rated for 400W peak-pulse power ($t_p = 8/20\mu\text{s}$) and protects to:

- IEC61000-4-2 (ESD) +15kV (air), +8kV (contact)
- IEC61000-4-4 (EFT) 40A (%/50ns)
- IEC61000-4-5 (Lightning) 12A (8/20 μs)

[Figure 1](#) shows the SM712 inner structure and [Table 1](#) lists its key parameters.

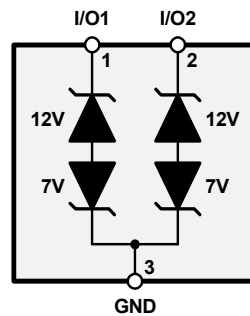


Figure 1. SM712

Table 1. Key Parameters of SM712

Parameter	Symbol	12 TVS	7V TVS	Unit
Stand-Off Voltage	V_{WM}	12	7	V
Breakdown Voltage	V_{BR}	13.3	7.5	V
Clamping Voltage at I_{P-P}	V_C	26	12	V
Peak-Pulse Current	I_{P-P}	17		A
Derating Factor at +85°C	DF	average	0.5	-
		pulse	0.8	
Junction Capacitance	C_J	45		pF

2. TVS Design Cautions

Many application examples of transient protected RS-485 nodes have the TVS diodes directly connected to the transceiver bus terminals. Because standard RS-485 transceivers have internal ESD structures whose trigger levels are close to the external SM712 breakdown voltage (V_{BR}), the transceiver ESD cells might interact with the external TVS. The ESD structures within the ISL3152E have a Zener switching characteristic, similar to the one of the SM712, and therefore will share the high transient current with the external TVS. Because a surge transient has about eight million times the energy of an ESD transient of the same peak-pulse voltage, the transceiver ESD cells are at risk of damage by high surge currents.

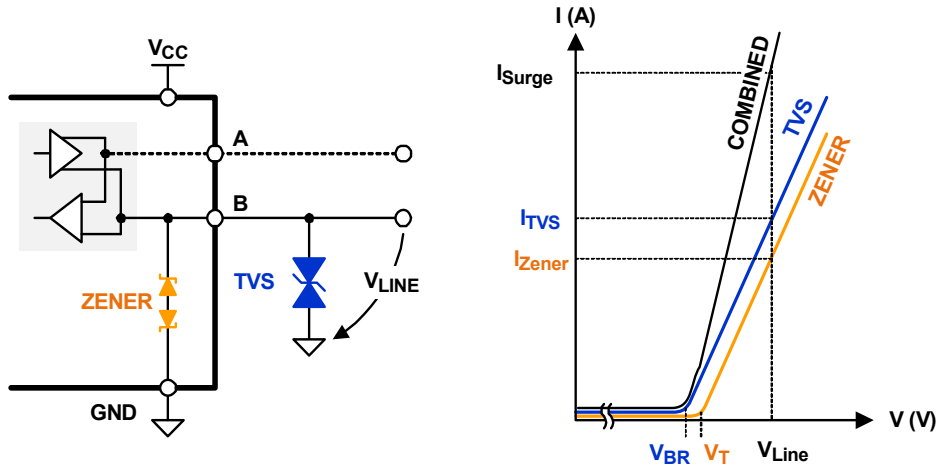


Figure 2. Transceiver Damage Due to Zener Sharing High Transient Current with External TVS

To limit the bus currents into the transceiver during a surge event, carbon composite or pulse-proof thick-film resistors should be inserted between the TVSs and the transceiver. Due to their voltage divider action with the bus termination resistors, their value should be less than 20Ω to minimize bus voltage attenuation during normal operation. [Figure 3](#) shows the schematic of a Level 2 surge protection example for the ISL3152E and its bill of materials.

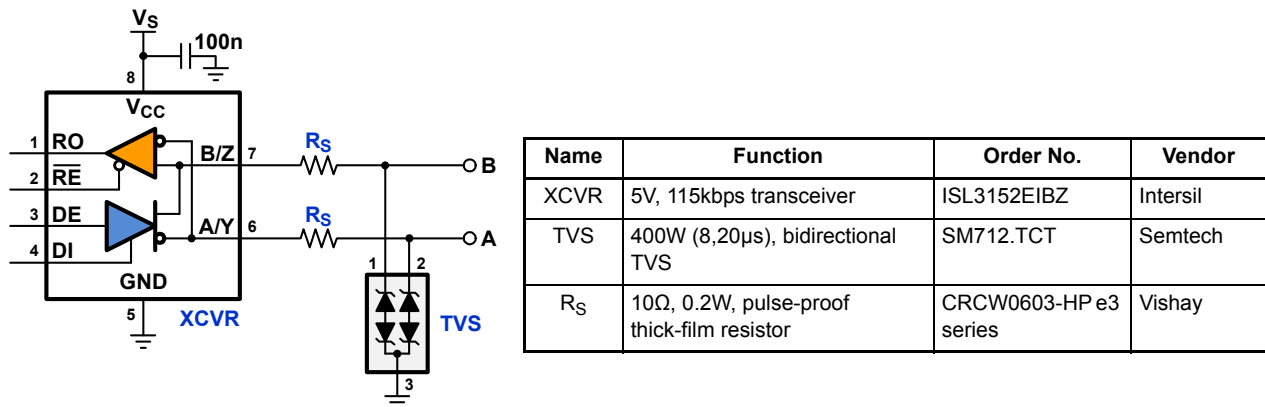


Figure 3. IEC61000-4-5 Level 2 (1kV) Surge Protection and Associated Bill of Materials

Note that the design does not use a TVS for differential transients, as these mainly occur when TVS switching does not happen simultaneously (as with some older, high-capacitance TVS diodes), or when non-twisted pair cables, such as lamp wires or flat band cables are used. When using twisted pair cable in combination with modern TVS devices, the possibility for differential voltage transients is eliminated.

3. Layout Suggestions

While it is possible to use smaller size 0402 resistors for R_S , manufacturer Vishay does not recommend them for wave soldering but reflow soldering only. To enable the application of either technique, 0603 resistors are recommended.

[Figure 4](#) shows a recommended PCB layout for the TVS section. Because electrical transients span a wide frequency range, the application of low-inductance reference planes for V_{CC} and ground layers is strongly advised. This will typically require a minimum 4-layer board.

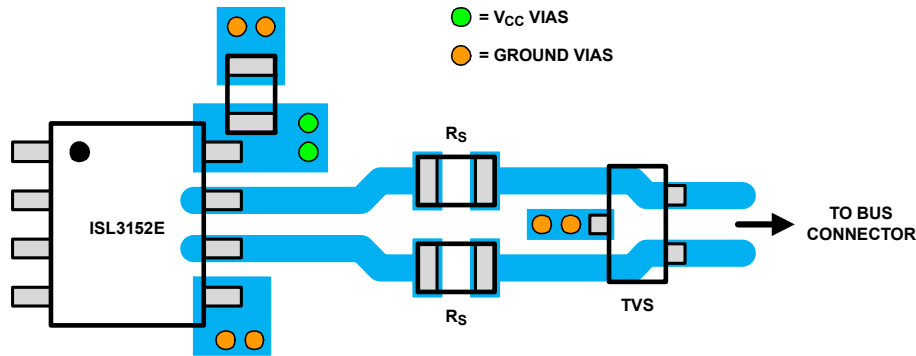


Figure 4. Suggested PCB Layout with Ground and V_{CC} Layers

- Place the components in the direction of the current flow.
- Use 45° bends for PCB traces.
- Place decoupling capacitors close to all active components, such as transceiver, voltage regulator, and MCU.
- Use at least two vias for each connection to the VCC or ground planes to reduce via inductance.

Notice

1. Descriptions of circuits, software and other related information in this document are provided only to illustrate the operation of semiconductor products and application examples. You are fully responsible for the incorporation or any other use of the circuits, software, and information in the design of your product or system. Renesas Electronics disclaims any and all liability for any losses and damages incurred by you or third parties arising from the use of these circuits, software, or information.
2. Renesas Electronics hereby expressly disclaims any warranties against and liability for infringement or any other claims involving patents, copyrights, or other intellectual property rights of third parties, by or arising from the use of Renesas Electronics products or technical information described in this document, including but not limited to, the product data, drawings, charts, programs, algorithms, and application examples.
3. No license, express, implied or otherwise, is granted hereby under any patents, copyrights or other intellectual property rights of Renesas Electronics or others.
4. You shall not alter, modify, copy, or reverse engineer any Renesas Electronics product, whether in whole or in part. Renesas Electronics disclaims any and all liability for any losses or damages incurred by you or third parties arising from such alteration, modification, copying or reverse engineering.
5. Renesas Electronics products are classified according to the following two quality grades: "Standard" and "High Quality". The intended applications for each Renesas Electronics product depends on the product's quality grade, as indicated below.
"Standard": Computers; office equipment; communications equipment; test and measurement equipment; audio and visual equipment; home electronic appliances; machine tools; personal electronic equipment; industrial robots; etc.
"High Quality": Transportation equipment (automobiles, trains, ships, etc.); traffic control (traffic lights); large-scale communication equipment; key financial terminal systems; safety control equipment; etc.
Unless expressly designated as a high reliability product or a product for harsh environments in a Renesas Electronics data sheet or other Renesas Electronics document, Renesas Electronics products are not intended or authorized for use in products or systems that may pose a direct threat to human life or bodily injury (artificial life support devices or systems; surgical implantations; etc.), or may cause serious property damage (space system; undersea repeaters; nuclear power control systems; aircraft control systems; key plant systems; military equipment; etc.). Renesas Electronics disclaims any and all liability for any damages or losses incurred by you or any third parties arising from the use of any Renesas Electronics product that is inconsistent with any Renesas Electronics data sheet, user's manual or other Renesas Electronics document.
6. When using Renesas Electronics products, refer to the latest product information (data sheets, user's manuals, application notes, "General Notes for Handling and Using Semiconductor Devices" in the reliability handbook, etc.), and ensure that usage conditions are within the ranges specified by Renesas Electronics with respect to maximum ratings, operating power supply voltage range, heat dissipation characteristics, installation, etc. Renesas Electronics disclaims any and all liability for any malfunctions, failure or accident arising out of the use of Renesas Electronics products outside of such specified ranges.
7. Although Renesas Electronics endeavors to improve the quality and reliability of Renesas Electronics products, semiconductor products have specific characteristics, such as the occurrence of failure at a certain rate and malfunctions under certain use conditions. Unless designated as a high reliability product or a product for harsh environments in a Renesas Electronics data sheet or other Renesas Electronics document, Renesas Electronics products are not subject to radiation resistance design. You are responsible for implementing safety measures to guard against the possibility of bodily injury, injury or damage caused by fire, and/or danger to the public in the event of a failure or malfunction of Renesas Electronics products, such as safety design for hardware and software, including but not limited to redundancy, fire control and malfunction prevention, appropriate treatment for aging degradation or any other appropriate measures. Because the evaluation of microcomputer software alone is very difficult and impractical, you are responsible for evaluating the safety of the final products or systems manufactured by you.
8. Please contact a Renesas Electronics sales office for details as to environmental matters such as the environmental compatibility of each Renesas Electronics product. You are responsible for carefully and sufficiently investigating applicable laws and regulations that regulate the inclusion or use of controlled substances, including without limitation, the EU RoHS Directive, and using Renesas Electronics products in compliance with all these applicable laws and regulations. Renesas Electronics disclaims any and all liability for damages or losses occurring as a result of your noncompliance with applicable laws and regulations.
9. Renesas Electronics products and technologies shall not be used for or incorporated into any products or systems whose manufacture, use, or sale is prohibited under any applicable domestic or foreign laws or regulations. You shall comply with any applicable export control laws and regulations promulgated and administered by the governments of any countries asserting jurisdiction over the parties or transactions.
10. It is the responsibility of the buyer or distributor of Renesas Electronics products, or any other party who distributes, disposes of, or otherwise sells or transfers the product to a third party, to notify such third party in advance of the contents and conditions set forth in this document.
11. This document shall not be reprinted, reproduced or duplicated in any form, in whole or in part, without prior written consent of Renesas Electronics.
12. Please contact a Renesas Electronics sales office if you have any questions regarding the information contained in this document or Renesas Electronics products.
(Note 1) "Renesas Electronics" as used in this document means Renesas Electronics Corporation and also includes its directly or indirectly controlled subsidiaries.
(Note 2) "Renesas Electronics product(s)" means any product developed or manufactured by or for Renesas Electronics.

(Rev.4.0-1 November 2017)



SALES OFFICES

Renesas Electronics Corporation

<http://www.renesas.com>

Refer to "<http://www.renesas.com/>" for the latest and detailed information.

Renesas Electronics America Inc.
1001 Murphy Ranch Road, Milpitas, CA 95035, U.S.A.
Tel: +1-408-432-8888, Fax: +1-408-434-5351

Renesas Electronics Canada Limited
9251 Yonge Street, Suite 8309 Richmond Hill, Ontario Canada L4C 9T3
Tel: +1-905-237-2004

Renesas Electronics Europe Limited
Dukes Meadow, Millboard Road, Bourne End, Buckinghamshire, SL8 5FH, U.K
Tel: +44-1628-651-700, Fax: +44-1628-651-804

Renesas Electronics Europe GmbH
Arcadiastrasse 10, 40472 Düsseldorf, Germany
Tel: +49-211-6503-0, Fax: +49-211-6503-1327

Renesas Electronics (China) Co., Ltd.
Room 1709 Quantum Plaza, No.27 ZhichunLu, Haidian District, Beijing, 100191 P. R. China
Tel: +86-10-8235-1155, Fax: +86-10-8235-7679

Renesas Electronics (Shanghai) Co., Ltd.
Unit 301, Tower A, Central Towers, 555 Langao Road, Putuo District, Shanghai, 200333 P. R. China
Tel: +86-21-2226-0888, Fax: +86-21-2226-0999

Renesas Electronics Hong Kong Limited
Unit 1601-1611, 16/F., Tower 2, Grand Century Place, 193 Prince Edward Road West, Mongkok, Kowloon, Hong Kong
Tel: +852-2265-6688, Fax: +852-2886-9022

Renesas Electronics Taiwan Co., Ltd.
13F, No. 363, Fu Shing North Road, Taipei 10543, Taiwan
Tel: +886-2-8175-9600, Fax: +886-2-8175-9670

Renesas Electronics Singapore Pte. Ltd.
80 Bendemeer Road, Unit #06-02 Hyflux Innovation Centre, Singapore 339949
Tel: +65-6213-0200, Fax: +65-6213-0300

Renesas Electronics Malaysia Sdn.Bhd.
Unit 1207, Block B, Menara Amcorp, Amcorp Trade Centre, No. 18, Jln Persiaran Barat, 46050 Petaling Jaya, Selangor Darul Ehsan, Malaysia
Tel: +60-3-7955-9390, Fax: +60-3-7955-9510

Renesas Electronics India Pvt. Ltd.
No.777C, 100 Feet Road, HAL 2nd Stage, Indiranagar, Bangalore 560 038, India
Tel: +91-80-67208700, Fax: +91-80-67208777

Renesas Electronics Korea Co., Ltd.
17F, KAMCO Yangjae Tower, 262, Gangnam-daero, Gangnam-gu, Seoul, 06265 Korea
Tel: +82-2-558-3737, Fax: +82-2-558-5338