

Application Note

DA1453x Hardware Guidelines

AN-B-075

Abstract

This Application Note provides the minimal reference schematic, circuit explanation, and design guidelines for BLE applications based on the DA1453x SoCs.

Contents

| | |
|--|-----------|
| Abstract | 1 |
| Contents | 2 |
| Figures | 3 |
| Tables | 4 |
| 1 Terms and Definitions | 5 |
| 2 References | 6 |
| 3 Introduction | 7 |
| 3.1 Device Revision Numbering and Marking | 9 |
| 3.2 The DA14531 System | 10 |
| 3.2.1 The Power Section of DA14531 | 10 |
| 3.2.1.1 The PMU of DA14531 | 10 |
| 3.2.1.2 Important Notices for PMU | 13 |
| 3.2.1.3 Supplying External Loads | 14 |
| 3.2.1.4 The Passive Components | 14 |
| 3.2.2 XTAL, 32 MHz (Y1) | 21 |
| 3.2.2.1 32 MHz XTAL Trimming | 22 |
| 3.2.2.2 Improved XTAL32M setting | 23 |
| 3.2.3 XTAL, 32.768 kHz (Y2) | 24 |
| 3.2.4 Reset | 25 |
| 3.2.5 JTAG | 25 |
| 3.2.6 UART | 26 |
| 3.2.7 SPI Data Flash | 26 |
| 3.3 RF Section | 27 |
| 3.3.1 Pi Filter | 28 |
| 3.3.2 Conducted Performance | 29 |
| 3.3.2.1 TX Measurements | 29 |
| 3.3.2.2 RX Measurements | 29 |
| 3.3.3 Antenna and Current Measurements | 29 |
| 4 PCB Layout Guidelines | 30 |
| 4.1 PCB Layout of DA14531-00FXDB-P/ DA14531-01FXDB-P (FCGQFN24) | 30 |
| 4.1.1 Minimal System PCB Layout for FCQFN24 | 34 |
| 4.2 PCB Layout of DA14531-0 OGDB-P PRO-Devkit (WLCSP) | 35 |
| 4.2.1 PCB Layout Guidelines | 36 |
| 4.2.2 Minimal System PCB Layout for WLCSP17 | 39 |
| Appendix A Special considerations for Reset Functionality | 40 |
| A.1 Reset Pad (P0_0) | 40 |
| A.2 Booting Sequence and P0_0 | 41 |
| A.3 SPI FLASH | 42 |
| A.4 Examples | 43 |
| A.4.1 Example 1: Booting from 2-wire UART | 43 |
| A.4.2 Example 2: RST/P0_0 signal shared with FLASH | 43 |
| Appendix B External filtering for Quadrature Decoder | 45 |
| Revision History | 47 |

Figures

| | |
|---|----|
| Figure 1: DA14531 Block Diagram..... | 8 |
| Figure 2: WLCSP17 Ball Assignment (Top View)..... | 8 |
| Figure 3: FCGQFN24 Pin Assignment (Top View)..... | 8 |
| Figure 4: DA14531 FCGQFN24 Package Marking..... | 9 |
| Figure 5: DA14531 WLCSP17 Package Marking..... | 9 |
| Figure 6: DA14531 System Configurations..... | 10 |
| Figure 7: DA14531 SoC power management unit (PMU)..... | 11 |
| Figure 8: Battery Connection for Buck (Left), Boost (Middle) or Bypass (Right) Configuration..... | 11 |
| Figure 9: Maximum DC Load on VBAT_HIGH rail during boot..... | 13 |
| Figure 10: Examples of SPI Flash power management using (a) analog switch (b) GPIO..... | 13 |
| Figure 11: Effective Capacitance of a 2.2 μ F Ceramic Capacitor..... | 15 |
| Figure 12: df2 Performance Versus C2 Value in Boost Mode..... | 15 |
| Figure 13: Buck Configuration..... | 16 |
| Figure 14: Boost Configuration..... | 16 |
| Figure 15: Bypass Configuration..... | 16 |
| Figure 16: DA14531 DCDC Power Efficiency. DCDC is Configured in BUCK Mode..... | 19 |
| Figure 17: DA14531 DCDC Power Efficiency. Boost Mode, Produced Voltage VBAT_Hlgh=3V..... | 19 |
| Figure 18: DA14531 DCDC Power Efficiency. Boost Mode, produced voltage VBAT_Hlgh=2.5V..... | 20 |
| Figure 19: DA14531 DCDC Power Efficiency. Boost Mode, Produced Voltage VBAT_Hlgh=1.8V..... | 20 |
| Figure 20: The Circuit of 32 MHz Crystal Oscillator..... | 22 |
| Figure 21: 32 MHz XTAL Oscillator Capacitance Value Versus Frequency..... | 23 |
| Figure 22: Debugger Enabling..... | 25 |
| Figure 23: Single UART Hardware Configuration..... | 26 |
| Figure 24: SPI Data Flash Hardware Setup..... | 27 |
| Figure 25: DA14531 RF Section..... | 27 |
| Figure 26: Pi Filter Topology..... | 28 |
| Figure 27: S21 Simulated Parameters..... | 28 |
| Figure 28: DA14531 FCGQFN24 Reference Circuit..... | 30 |
| Figure 29: PCB Cross Section..... | 31 |
| Figure 30: PCB Placement and Routing – Top Layer..... | 32 |
| Figure 31: FCGQFN24 PCB Placement and Routing – GND Plane - INT1 Layer..... | 32 |
| Figure 32: FCGQFN24 PCB Placement and Routing – INT2 Layer..... | 33 |
| Figure 33: FCGQFN24 PCB Placement and Routing – GND Bottom Layer..... | 33 |
| Figure 34: PCB Occupied Area for DA14531-FCGQFN24 System,..... | 34 |
| Figure 35: DA14531 WLCSP17 Reference Circuit..... | 35 |
| Figure 36: PCB Cross Section..... | 35 |
| Figure 37: WLCSP17 - PCB Placement and Routing – Top Layer..... | 37 |
| Figure 38: WLCSP17 PCB Placement and Routing – GND plane - INT1 Layer..... | 37 |
| Figure 39: WLCSP17 PCB Placement and Routing - INT2 Layer..... | 38 |
| Figure 40: WLCSP17 PCB Placement and Routing – Bottom Layer..... | 38 |
| Figure 41: PCB Occupied Area for DA14531-WLCSP17 System..... | 39 |
| Figure 42: Type B GPIO Pad-GPIO with Schmitt Trigger & RC filter..... | 40 |
| Figure 43: Reset Block Diagram..... | 41 |
| Figure 44: Booting sequence and booting pins for DA14531..... | 41 |
| Figure 45: P0_0 connected to SPI_MOSI..... | 42 |
| Figure 46: FTDI and DA14531 connection circuit for Reset..... | 43 |
| Figure 47: Example of Connecting a Sensor to the SPI BUS and an MCU to RST and UART of DA14531 SmartBond TINY™ Module [376-23-B]..... | 44 |
| Figure 48: Quadrature decoder block diagram..... | 45 |
| Figure 49: Suggested filter for mechanical incremental encoder..... | 46 |

Tables

| | |
|---|----|
| Table 1: Ordering Information | 8 |
| Table 2: CHIP_REVISION_REG (0x50003214)..... | 9 |
| Table 3: CHIP_TEST1_REG (0x500032F8) | 9 |
| Table 4: Chip Revision Numbering..... | 9 |
| Table 5: Typical Rail Voltages and their Sources in the Various PMU Modes | 12 |
| Table 6: DA14531 DCDC External Load Supply Capability..... | 14 |
| Table 7: DFE2016E-2R2M Characteristics | 17 |
| Table 8: Tested Inductors on DA14531 PRO-Devkit | 18 |
| Table 9: Inductor Peak Current Limit..... | 21 |
| Table 10: XTAL32 MHz Oscillator - Recommended Operating Conditions | 21 |
| Table 11: Successfully Tested Crystals | 22 |
| Table 12: Selected Main XTAL Specification | 22 |
| Table 13: XTAL Oscillator 32kHz - Recommended Operating Conditions | 24 |
| Table 14: Selected Main XTAL Specification | 24 |
| Table 15: P0_0 Assignment During Boot | 25 |
| Table 16: DA14531 Pins Assignment for SPI Data Slave on Booting | 26 |
| Table 17: Fundamental Power and Harmonics, Conducted Mode, PA in 3 dBm Mode | 29 |
| Table 18: LO Leakage, Conducted Mode Results | 29 |
| Table 19: P0_0 Assignment During Boot | 42 |

DA1453x Hardware Guidelines

1 Terms and Definitions

| | |
|------------|---|
| BLE | Bluetooth® Low Energy |
| IC | Integrated Circuit |
| SoC | System on Chip |
| RF | Radio Frequency |
| PMU | Power Management Unit |
| SRAM | Static Random-Access Memory |
| OTP | One Time Programmable |
| UART | Universal Asynchronous Receiver Transmitter |
| GPIO | General Purpose Input Output (pin) |
| ILIM | DCDC Inductor peak current limit |
| JTAG | Joint Test Action Group |
| SWD | Serial Wire Debug |
| SPI | Serial Peripheral Interface |
| CS | Chip Select |
| SDK | Software Development Kit |
| PRO-Devkit | DA14531 PRO Development kit |
| PCB | Printed Circuit Board |
| PCBA | Printed Circuit Board Assembly |
| BOM | Bill Of Materials |
| DCR | DC Resistance |
| PTH | Plated Through Hole |

DA1453x Hardware Guidelines

2 References

- [1] DA14531, [Datasheet](#), Dialog Semiconductor.
- [2] UM-B-041, [SmartBond Production Line Tool](#), User Manual.
- [3] UM-B-114, [DA14531 Devkit-Pro-Hardware](#), User Manual.
- [4] [ETSI EN 300 328](#) and [EN 300 440](#) Class 2 (Europe)
- [5] [FCC CFR47 Part 15](#) (US)
- [6] [ARIB STD-T66](#) (Japan)
- [7] AN-B-073, [DA14531 Filter for Spurious Emissions Reduction](#), Application Note.
- [8] AN-B-072, [DA14531 Booting Options](#), Application Note.
- [9] AN-B-088, [DA145xx Flash Selector Guide](#), Application Note.
- [10] UM-B-119, [SW Platform Reference](#), User Manual.

DA1453x Hardware Guidelines

3 Introduction

DA14531 is an ultra-low power SoC that integrates a 2.4 GHz transceiver and an ARM Cortex M0+™ microcontroller with 48 kB of RAM and 32 kB of OTP memory. DA14531 can be used as a standalone application processor, or as a data pump in hosted systems.

The DA14531-00 is the main DA14531 device, it is not a new device. The -00 is just a new naming to introduce the new variant DA14531-01.

The DA14531-01 is an additional variant, and NOT a replacement of the DA14531-00.

The DA14531-01 is a ROM variant of the main DA14531-00.

The DA14531-01 only supports peripheral mode and some functions have been moved to ROM so more memory is available for the application.

In this Application note, DA14531 is referring to DA14531-00 and DA14531-01. This document is also valid for the DA14530 as well. Because of the missing DCDC converter, only the parts related to Bypass mode are applicable. In this document.

Key characteristics:

- Compatible with:
 - Bluetooth V5.1
 - ETSI EN 300 328 and EN 300 440 Class 2 (Europe)
 - FCC CFR47 Part 15 (US)
 - ARIB STD-T66 (Japan)
- Supports up to 3 Bluetooth LE connections
- Typical cold boot to radio active 35 ms
- Memories:
 - 32 kB One-Time-Programmable (OTP)
 - 48 kB Retainable System RAM
 - 144 kB ROM
 - Ram retainability configured in 3 blocks
 - SysRAM1(16 kB)
 - SysRAM2(12 kB)
 - SysRAM3(20 kB)
- Integrated Buck/Boost DCDC converter
 - Buck: $1.8\text{ V} \leq \text{VBAT_HIGH} \leq 3.3\text{ V}$ if OTP read needed
 - Buck: $1.1\text{ V} \leq \text{VBAT_HIGH} \leq 3.3\text{ V}$ if RAM retained
 - Boost: $1.1\text{ V} \leq \text{VBAT_LOW} \leq 1.65\text{ V}$
 - Clock-less hibernation mode: Buck 270 nA, Boost 240 nA
 - Built-in temperature sensor for die temperature monitoring
- Digital interfaces
 - GPIOs: 6 (WLCSP17), 12 (FCGQFN24)
 - Two UARTs (one with flow control)
 - SPI Master/Slave - SPI data flash is connected to DA14531 on this development kit
 - I2C bus at 100 kHz, 400 kHz
 - 3-axes capable Quadrature Decoder – not applied in this development kit
 - Keyboard controller mode – not applied in this development kit
- Analog interfaces

DA1453x Hardware Guidelines

- 4-channel, 10-bit ADC
- Radio transceiver
 - Fully integrated 2.4 GHz CMOS transceiver
 - Single wire antenna: no RF matching or RX/TX switching required
- Two packages available, WLCSP with 17 balls and FCGQFN with 24 pins
 - WLCSP17: 6 GPIOs available
 - FCGQFN24: 12 GPIOs available

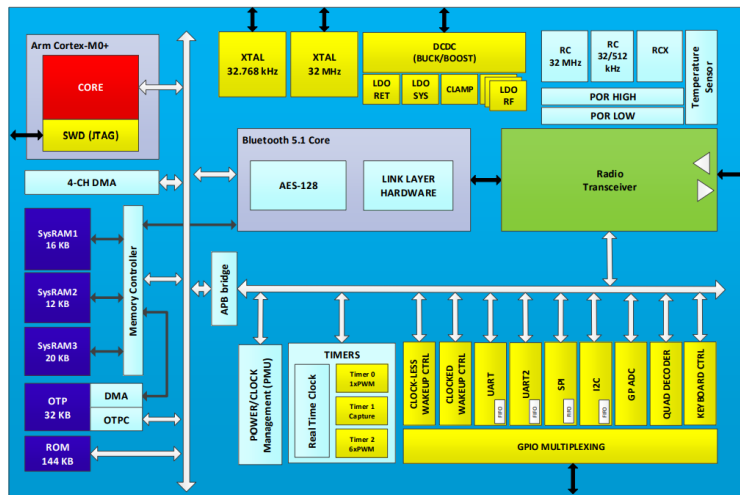


Figure 1: DA14531 Block Diagram

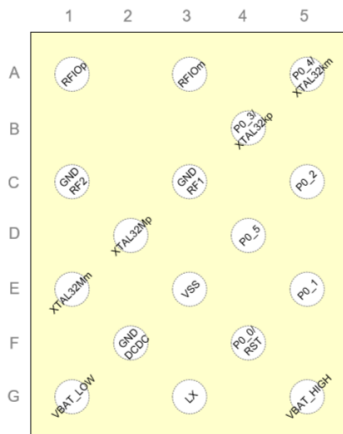


Figure 2: WLCSP17 Ball Assignment (Top View)

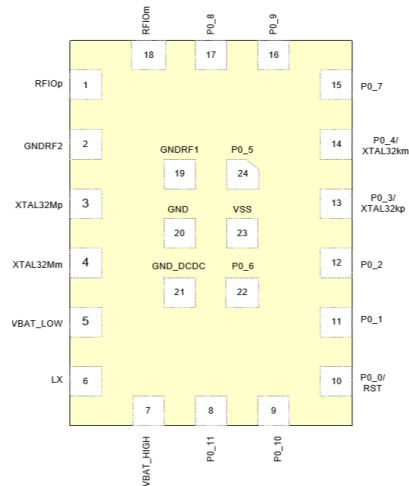


Figure 3: FCGQFN24 Pin Assignment (Top View)

Table 1: Ordering Information

| Part Number | Package | Pitch (mm) | Size (mm) |
|------------------|----------|------------|---------------|
| DA14531-00000FX2 | FCGQFN24 | 0.4 | 2.2 x 3.0 |
| DA14531-00000OG2 | WLCSP17 | 0.5 | 1.694 x 2.032 |
| DA14531-01000FX2 | FCGQFN24 | 0.4 | 2.2 x 3.0 |
| DA14531-01000OG2 | WLCSP17 | 0.5 | 1.694 x 2.032 |

DA1453x Hardware Guidelines

3.1 Device Revision Numbering and Marking

The revision number of the chip can be read from the device by reading the registers mentioned in Table 2 and Table 3. The result should be one of the options in Table 4.

Table 2: CHIP_REVISION_REG (0x50003214)

| Bit | Mode | Symbol | Description | Reset |
|-----|------|---------------|--|-------|
| 7:0 | R | CHIP_REVISION | Chip version, corresponds with type number in ASCII 0x41 = 'A', 0x42 = 'B'. | - |

Table 3: CHIP_TEST1_REG (0x500032F8)

| Bit | Mode | Symbol | Description | Reset |
|-----|------|----------------------|--|-------|
| 7:0 | R | CHIP_LAYOUT_REVISION | Chip layout version, corresponds with type number in ASCII | - |

Table 4: Chip Revision Numbering

| Commercial Number | Package | CHIP_REVISION_REG (0x50003214) | CHIP_TEST1_REG (0x500032F8) |
|-------------------|----------|--------------------------------|-----------------------------|
| DA14531-00000FX2 | FCGQFN24 | 0x41 (A) | 0x45 (E) |
| DA14531-00000OG2 | WLCSP17 | 0x41 (A) | 0x45 (E) |
| DA14531-01000FX2 | FCGQFN24 | 0x41 (A) | 0x47 (E) |
| DA14531-01000OG2 | WLCSP17 | 0x41 (A) | 0x47 (E) |

| Package Marking (Laser) | | | | |
|-------------------------|-----------------|------------------|-----------|-------|
| Pin 1 Corner > | Marking Content | Format | Alignment | Font |
| 1st | • | Pin1 Orientation | Top Left | |
| 2nd | 5 3 1 | Part Number | Left | Arial |
| 3rd | y w w | Date Code | Left | Arial |
| 4th | z z | Lot Traceability | Left | Arial |

Date Code Format: y = Last Digit of Year, ww = Week, zz = Unique lot Identifier starting with AA, REFER TO SPEC. CMO1007-PUT

Figure 4: DA14531 FCGQFN24 Package Marking

| Package Marking (Laser) | | | | |
|-------------------------|-----------------|---------------------|-----------|-------|
| A1 Corner > | Marking Content | Format | Alignment | Font |
| 1st | • | Pin1/A1 Orientation | Top Left | |
| 2nd | 5 3 1 | Part Number | Left | Arial |
| 3rd | y w w | Date Code | Left | Arial |
| 4th | z z | Lot Traceability | Left | Arial |

Date Code Format: y = Last Digit of Year, ww = Week, zz = Unique lot Identifier starting with AA, Refer to Spec. CMO1007-PUS

Marking Orientation
(Wafer Back Side,
Bumps Down)

Figure 5: DA14531 WLCSP17 Package Marking

DA1453x Hardware Guidelines
3.2 The DA14531 System

Only a few external components are required to have DA14531 operational. The necessary components are:

- Inductor, 2.2 μ H for internal DCDC converter. Necessary for buck and boost configuration. In bypass configuration, the inductor can be removed
- Capacitors on VBAT_HIGH and VBAT_LOW for internal DCDC converter. Their value depends on the DCDC configuration and the type of power source
- XTAL 32 MHz, provides the main system and BLE clock
- XTAL 32 kHz, as the low-power clock in sleep mode. When RCX (less accurate) is used, XTAL 32 kHz can be omitted
- For some applications an RF low-pass filter is required to suppress spurious emissions.
- Antenna. Is either printed or ceramic

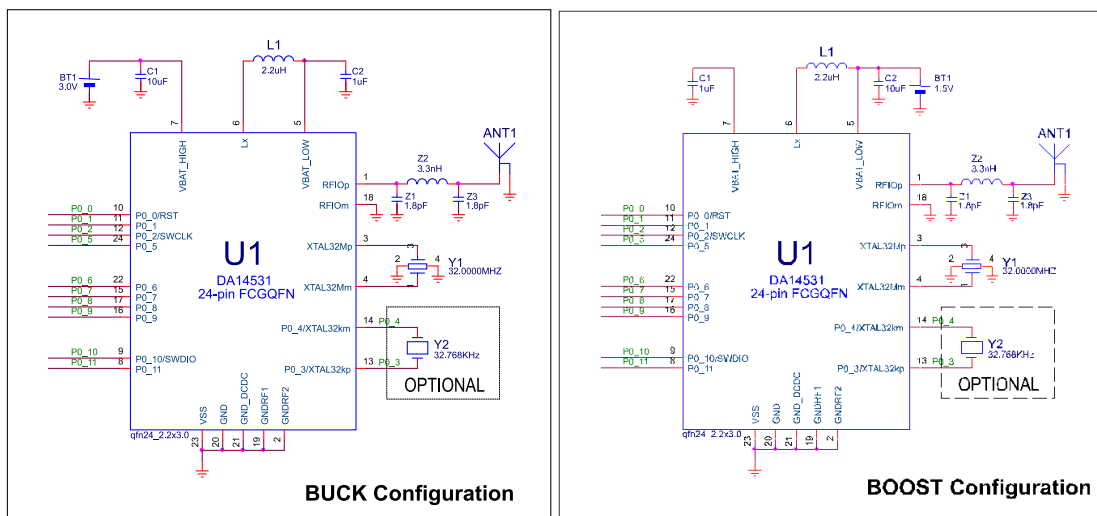


Figure 6: DA14531 System Configurations

3.2.1 The Power Section of DA14531

The DA14531 has a flexible power setup and can operate in three different power configurations: Buck, Boost and Bypass. Depending on the available power source, Buck mode is intended for use with higher voltage batteries, such as lithium primary cells (3 V) or 2x alkaline combinations, while Boost mode can be used with lower voltage Silver oxide cells. In Bypass mode, the DCDC converter is not used and because of that there is no need for an external inductor. This results in a cheaper BOM, but also in lower power efficiency.

The power management logic is fully integrated, and the user can select the desired mode with minor hardware modifications.

3.2.1.1 The PMU of DA14531

The DA14531 has an integrated Power Management Unit (PMU), which consists of a VDD Clamp, Power on Reset (POR) circuitry, a DCDC converter and various LDOs.

The PMU integrates two main power rails VBAT_HIGH and VBAT_LOW, and the internal VDD power rail.

- VBAT_HIGH voltage is in the range of 1.8 V – 3.3 V. This power rail is used for the blocks that require a higher supply voltage. The OTP and the GPIOs are connected to this power rail. The lowest voltage for OTP reading is 1.62 V whereas to write OTP this is 2.25 V. VBAT_HIGH is protected by the power-on-reset circuit POR_HIGH, which will generate a Power On Reset when the voltage drops below 1.66 V (V_IL) for more than 50 μ s and will release the reset at typically 1.75V.
- VBAT_LOW is the main system supply, with the lowest voltage equal to 1.1 V. The functional range is between 1.1 V - 3.3 V.

DA1453x Hardware Guidelines

Table 5: Typical Rail Voltages and their Sources in the Various PMU Modes

| Configuration | Mode | VBAT_HIGH | | VBAT_LOW | |
|---|------------------------|----------------------|--------------------------------------|-----------------|------------------------------|
| | | Voltage range | supplied to / generated from | Voltage range | supplied to / generated from |
| BUCK <i>Supply on VBAT_HIGH</i> | Active | 1.8 V to 3 V | VBAT | 1.1 V | DCDC out |
| | Deep or Extended Sleep | 1.8 V to 3 V | VBAT | 1.1 V | LDO_LOW |
| | Hibernation | 1.8 V to 3 V | VBAT | 0 V | |
| BOOST <i>Supply on VBAT_LOW</i> | Active | 1.8 V, 2.5 V or 3 V | DCDC out | 1.1 V to 1.65 V | VBAT |
| | Deep or Extended Sleep | 1.8 V - 1.55 V | none, drops then clamped to VBAT_LOW | 1.1 V to 1.65 V | VBAT |
| | Hibernation | VBAT_LOW, diode drop | | 1.1 V to 1.65 V | VBAT |
| Bypass <i>Supply on VBAT_HIGH, VBAT_LOW</i> | Active | 1.8 V to 3 V | VBAT | 1.8 V to 3 V | VBAT |
| | Deep or Extended Sleep | 1.8 V to 3 V | VBAT | 1.8 V to 3 V | VBAT |
| | Hibernation | 1.8 V to 3 V | VBAT | 1.8 V to 3 V | VBAT |

DA1453x Hardware Guidelines

3.2.1.2 Important Notices for PMU

Boost Mode: any external circuit connected to the VBAT_HIGH rail must be disabled during boot, as any load on the rail may prevent the voltage from reaching the required value, which will in turn prevent the startup of the system. For a guaranteed startup, the load on VBAT_HIGH must not exceed 50 μ A during system startup/wake-up.

| Parameter | Description | Conditions | Min | Typ | Max | Unit |
|----------------------------------|---|------------------------------------|-----|-----|-----|---------|
| I _{L_VBAT_HIGH_BOOTING} | Maximum external DC load current on V _{BAT_HIGH} rail during booting in boost mode | Boost mode booting sequence active | | | 50 | μ A |

Figure 9: Maximum DC Load on VBAT_HIGH rail during boot

Load like SPI flash should be isolated from VBAT_HIGH in order to avoid overloading the rail during boot. A dedicated GPIO pin can be used to provide power to an external flash memory either directly, if the current requirements are within the current sourcing capabilities of the pin, or through a load switch/power management IC. A secondary bootloader is necessary in order to support the powering up of the external flash. For more information regarding the operation of the secondary bootloader refer to [10]. In Figure 10 possible implementations are given.

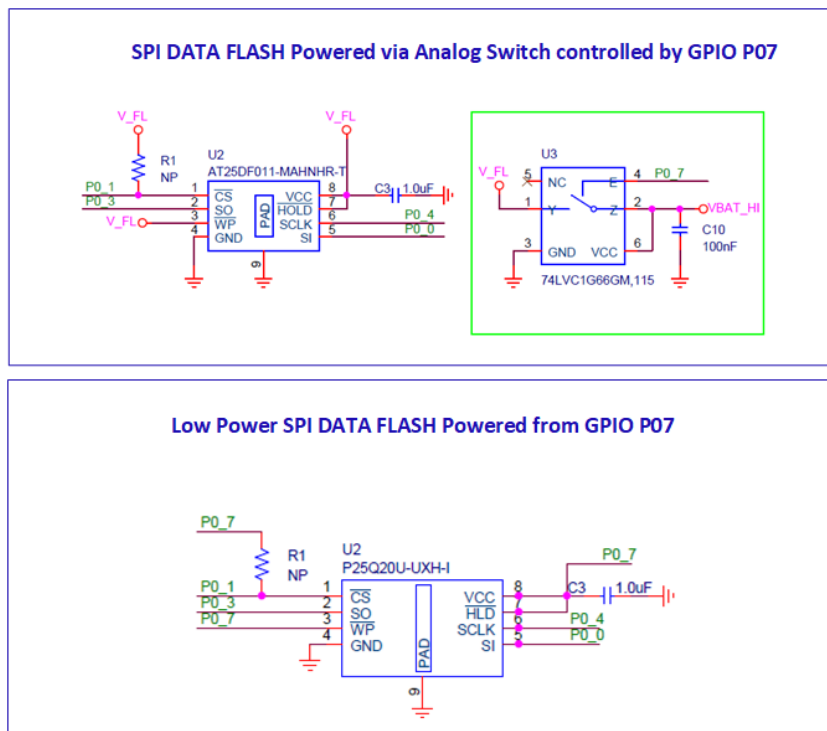


Figure 10: Examples of SPI Flash power management using (a) analog switch (b) GPIO

Bypass mode: VBAT_HIGH and VBAT_LOW are shorted on the PCB. This mode is detected by the chip as boost mode. The software should set the CFG_POWER_MODE_BYPASS flag. Otherwise the software would stop after booting, when the supply is below 3V.

As the DCDC converter cannot boost VBAT_HIGH to 1.8V (default), the initial voltage on VBAT_HIGH must be above 1.75 V to release the POR_HIGH and allow booting.

If the voltage in the system drops below 1.66 V after booting, POR_HIGH must be masked or disabled to prevent a reset.

DA1453x Hardware Guidelines
3.2.1.3 Supplying External Loads

The internal DCDC converter of the DA14531 can be used to supply external loads, in both buck and boost mode. Use the application software to select and trim the output voltage.

In [Table 6](#), the external load driving capability of the DCDC converter is summarized.

Table 6: DA14531 DCDC External Load Supply Capability

| Configuration | VBAT_High | VBAT_Low | Maximum load current |
|---------------|-------------|-------------|----------------------|
| BUCK | 3.0 V (in) | 1.1 V (out) | 20 mA |
| BOOST | 1.8 V (out) | 1.5 V (in) | 20 mA |
| BOOST | 2.5 V (out) | 1.5 V (in) | 10 mA |
| BOOST | 3.0 V (out) | 1.5 V (in) | 10 mA |

In buck mode, VBAT_LOW is the source for the load current, while in boost mode, VBAT_HIGH is the source for the load current.

From a system point of view, this is very interesting for boost mode, where the DA14531 can replace the step-up DCDC converters needed to supply loads like SPI data flash or sensors, and so on, and consequently reduce the BOM cost considerably. Note that, as mentioned in [Important Notices for PMU](#), users must pay special attention to the load current during initialization, which in boost mode must not exceed 50 μ A.

3.2.1.4 The Passive Components

The DCDC converter is internal to the SoC circuit and requires only three external components: two capacitors and one inductor. As the DCDC converter must meet the input and output voltage and load current specifications, proper selection of the external components is very important.

Capacitors

Two capacitors are required, C1 attached to the VBAT_HIGH rail pin, and C2 attached to the VBAT_LOW rail.

The capacitors are of the type Multi-Layer Ceramic Capacitor (MLCC). Note that in MLCC capacitors, the effective capacitance value depends on the DC voltage applied to the capacitor.

For example, GRM155R61E225ME15D is a 2.2 μ F capacitor with a rated voltage of 25 V. With 3 VDC applied on its pins, the effective capacitance drops to 1.39 μ F.

The user must take this into account and select the parts carefully, because a poor capacitor value can degrade system performance.

DA1453x Hardware Guidelines

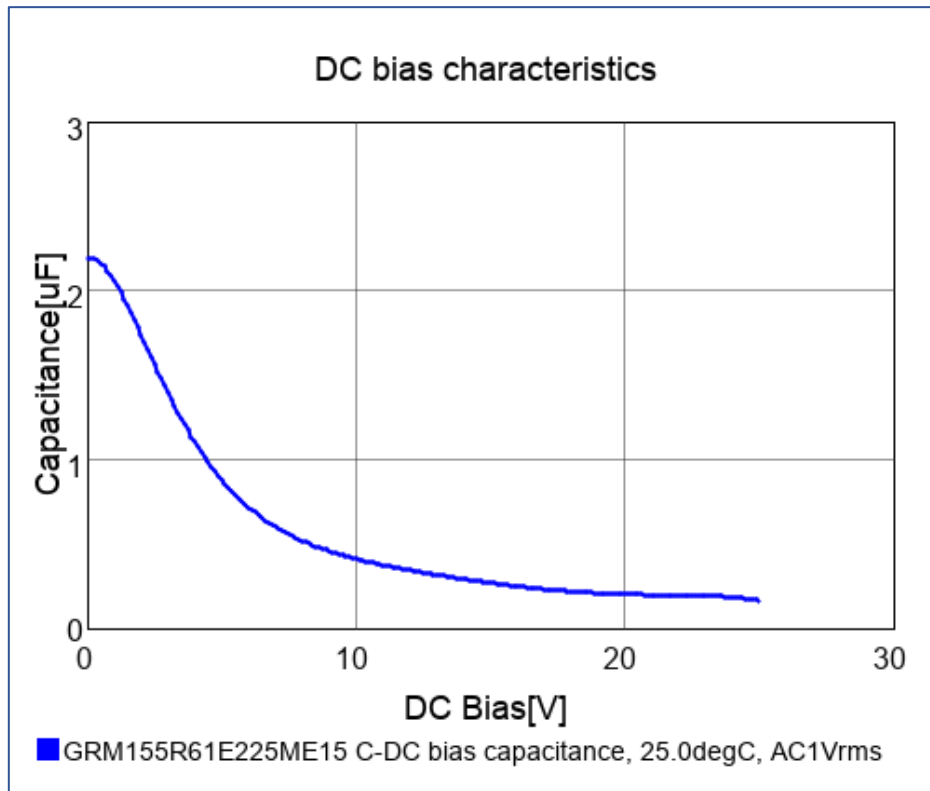


Figure 11: Effective Capacitance of a 2.2 μF Ceramic Capacitor

Example: on the DA14531 PRO-Devkit, the capacitor value for the C2 in boost mode affects the df2 characteristic of the radio.

For C2 = 2.2 μF, df2 is lower than the specification. The effective capacitance is 1.39 μF.

For C2= 10 μF, df2 is on 215 kHz, well above the limit.

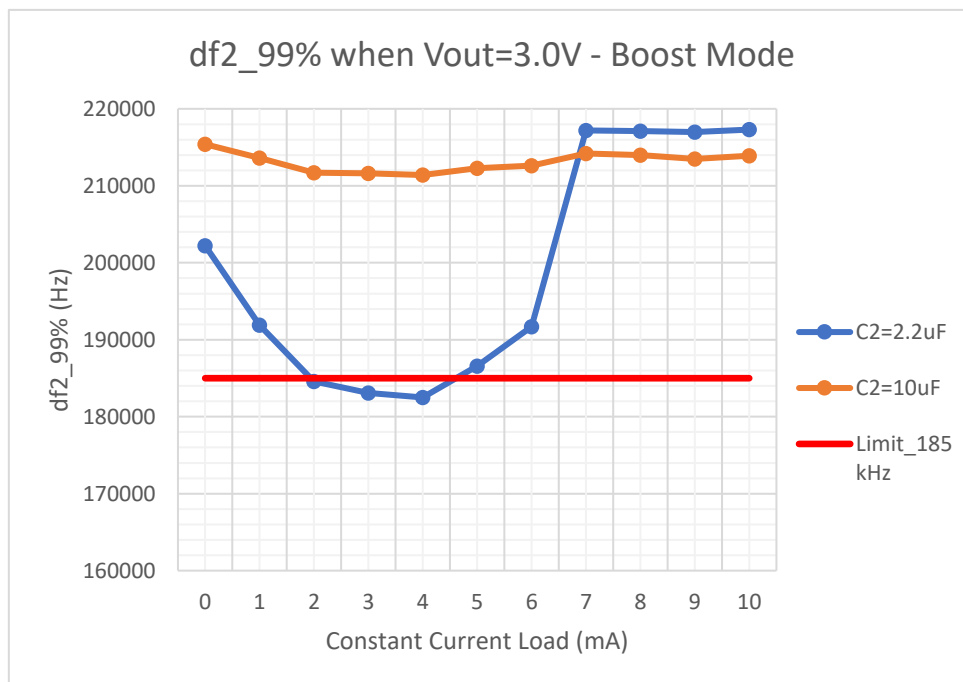


Figure 12: df2 Performance Versus C2 Value in Boost Mode

DA1453x Hardware Guidelines

Buck mode

C1: 10 μ F effective (input capacitor)

C2: 1 μ F effective (output filter capacitor)

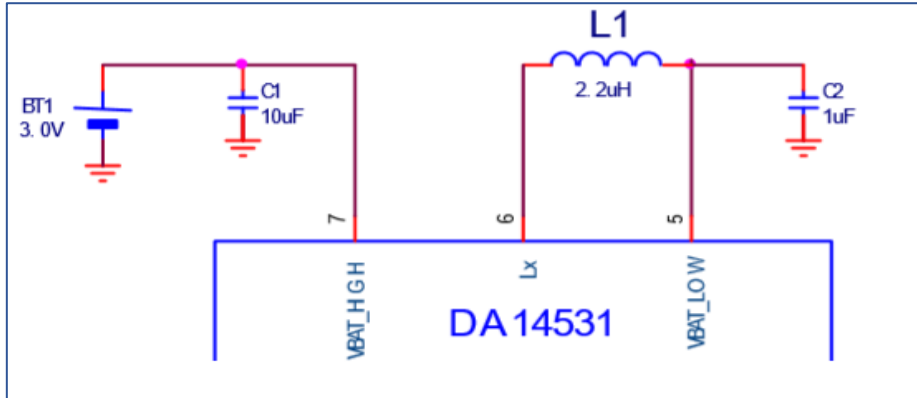


Figure 13: Buck Configuration

Boost mode

C1: 1 μ F effective (output filter capacitor)

C2: 10 μ F effective (input capacitor)

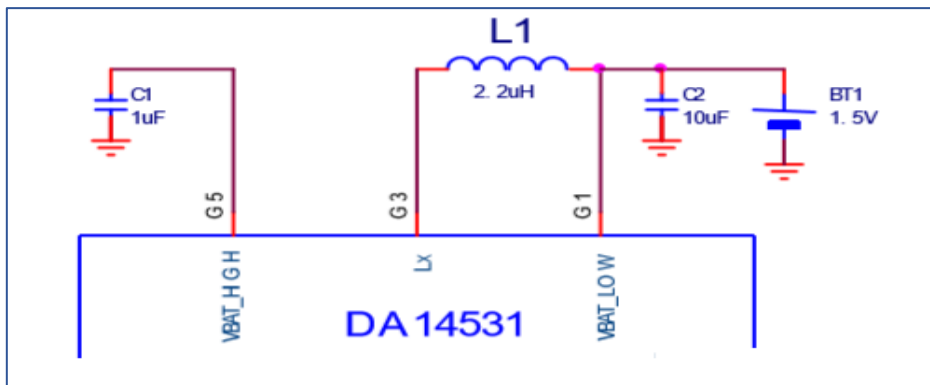


Figure 14: Boost Configuration

Bypass mode

In bypass mode, the DCDC converter is not used and C1, C2 are used for decoupling. As the two power pins (VBAT_High and VBAT_Low) are located very close, a capacitor of 1 μ F is enough. See [Figure 15](#).

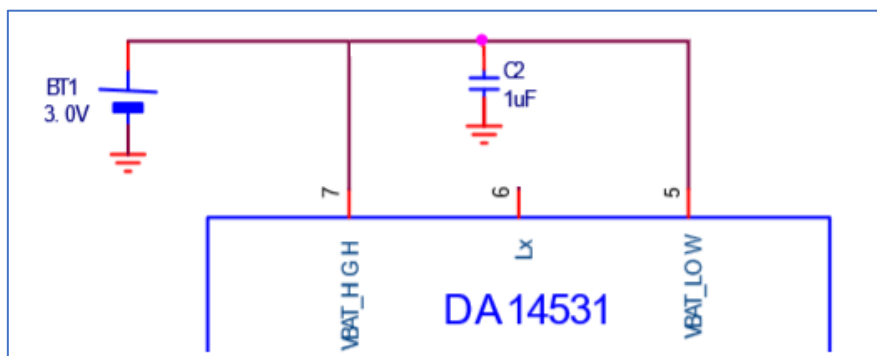


Figure 15: Bypass Configuration

DA1453x Hardware Guidelines

Inductor

The DA14531 DCDC converter requires an external 2.2 μH inductor. The choice of inductor will impact the DCDC converter efficiency. Generally, larger inductors with alloy/metal composite cores, low DC resistance and high resonance frequency will give better efficiency.

For optimal operation of the DCDC converter, use the general criteria below to select a suitable part:

- 40 MHz Self resonance or higher
- 500 mOhm ESR or lower (the lower the better)
- 2.2 μH with 20% or lower tolerance
- Shielded inductors preferred over unshielded types

The inductor used on DA14531 PRO-development kit is the DFE2016E-2R2M of Murata.

Table 7: DFE2016E-2R2M Characteristics

| | |
|------------------|---------------|
| DCR | 0.14 Ω |
| I _{max} | 1.7 A |
| Package | 0806 |
| Shielded | yes |

In [Figure 16](#) to [Figure 19](#) (notified as * DFE2016E-2R2M) below, the performance of the DCDC converter with DFE2016E-2R2M is presented. Performance justifies cost and size.

In cases where we need to reduce the size of the system, and the external load currents are negligible, it is possible to reduce the physical size of the power inductor. By doing so, the expectation is that some of the conversion efficiency is sacrificed. So, the user must find the optimal tradeoff among power efficiency, size and cost, depending on the intended application. The characteristics of selected inductors tested on the system are presented in [Table 8](#).

[Figure 16](#), [Figure 17](#), [Figure 18](#) and [Figure 19](#) show the performance (efficiency) of the DCDC converter for buck and boost (3 V, 2.5 V and 1.8 V) configurations. The efficiency is measured for the load as described in [Table 6](#).

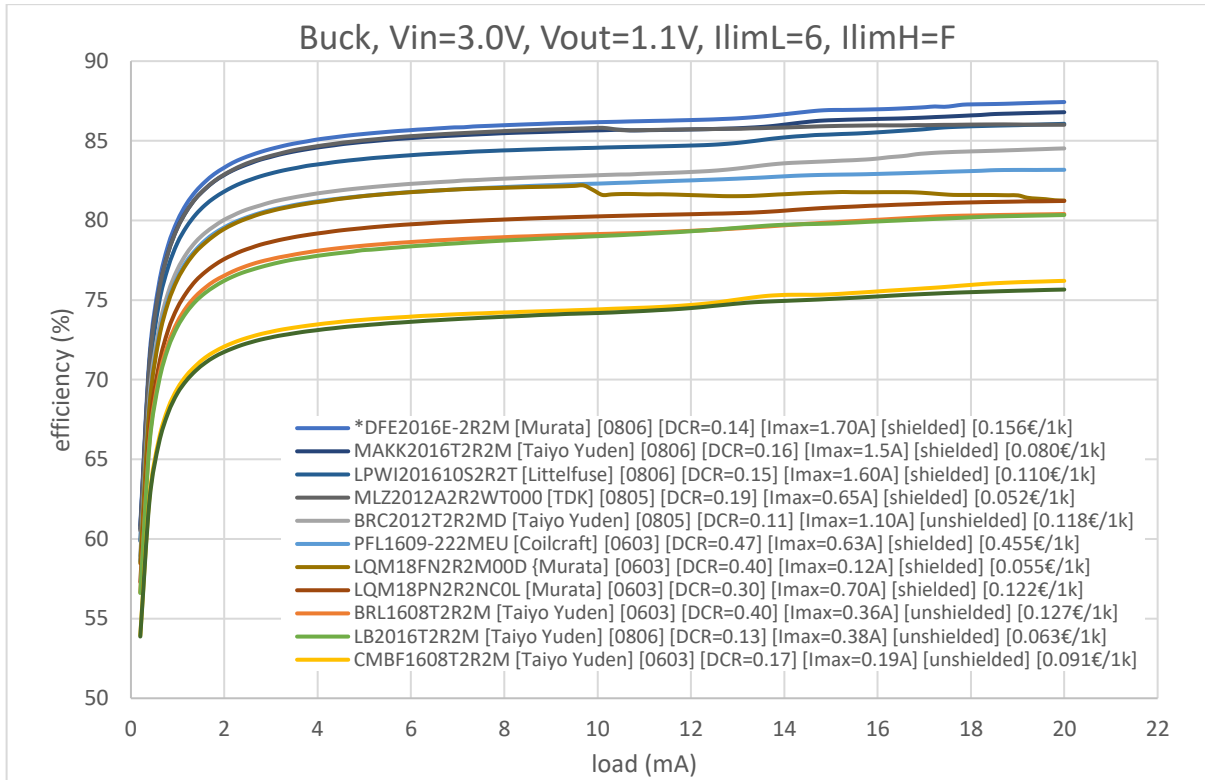


Figure 16: DA14531 DCDC Power Efficiency. DCDC is Configured in BUCK Mode

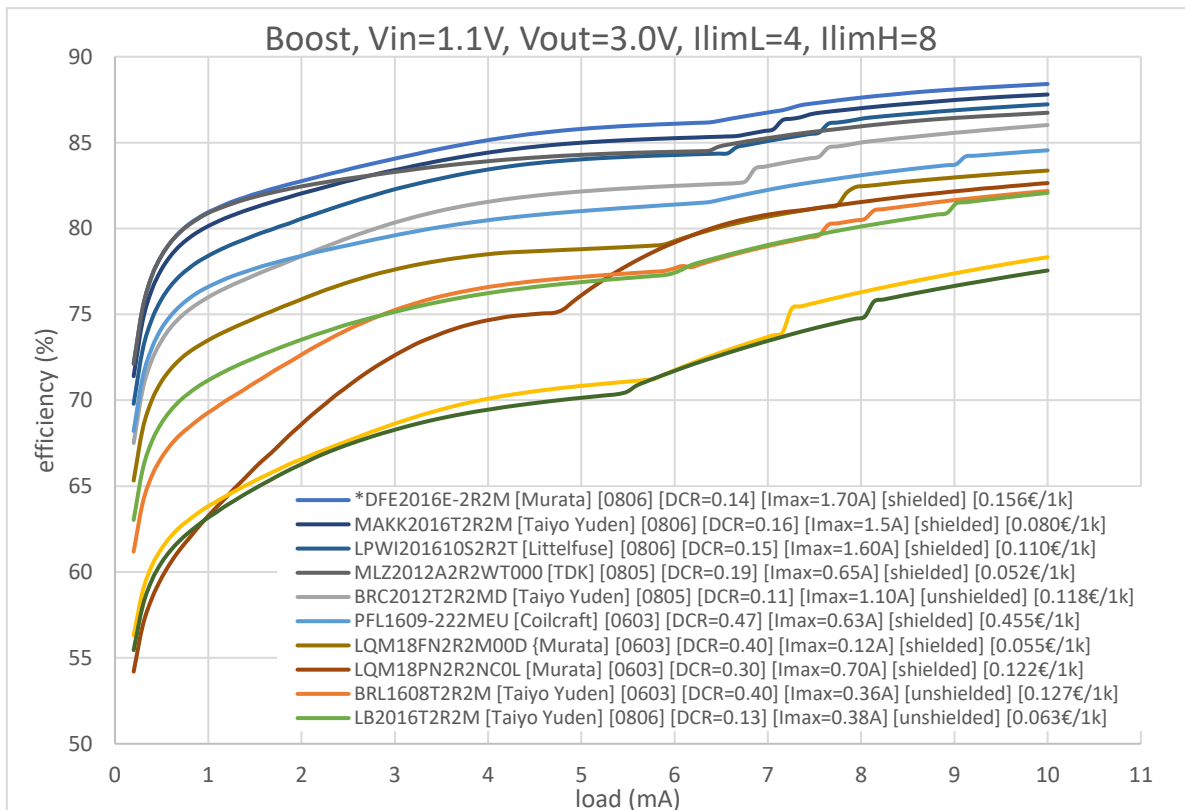


Figure 17: DA14531 DCDC Power Efficiency. Boost Mode, Produced Voltage VBAT_High=3V

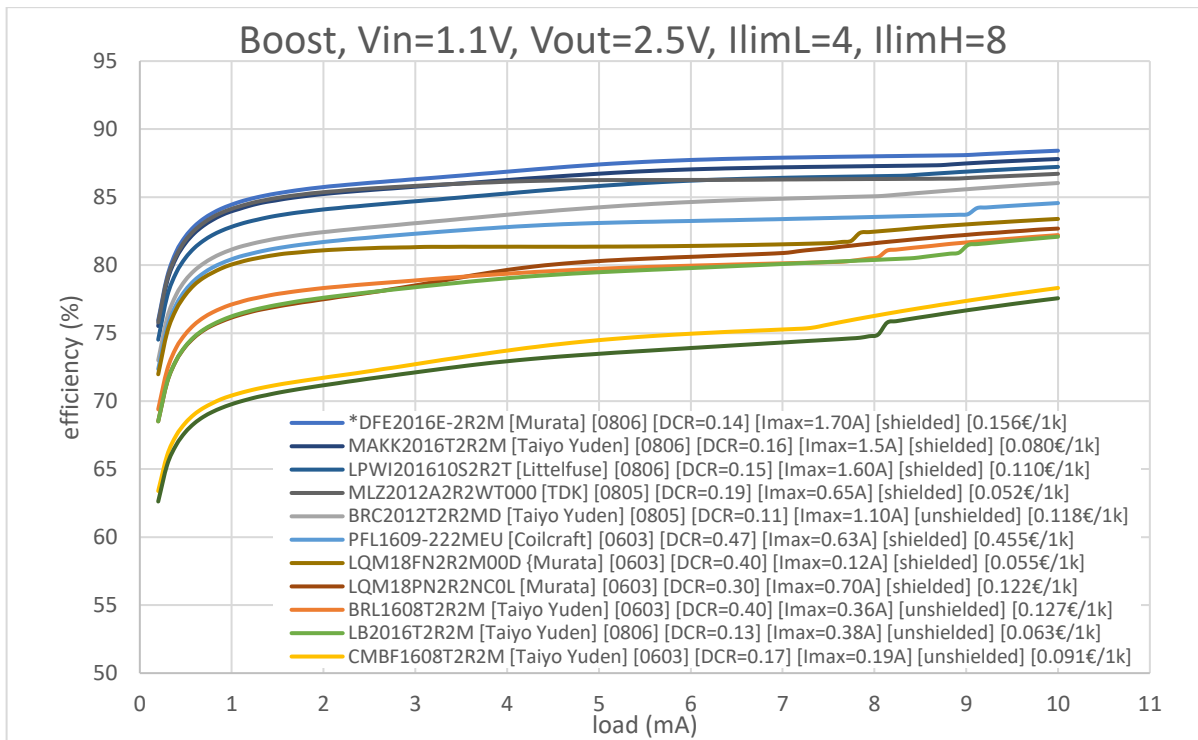


Figure 18: DA14531 DCDC Power Efficiency. Boost Mode, produced voltage VBAT_High=2.5V

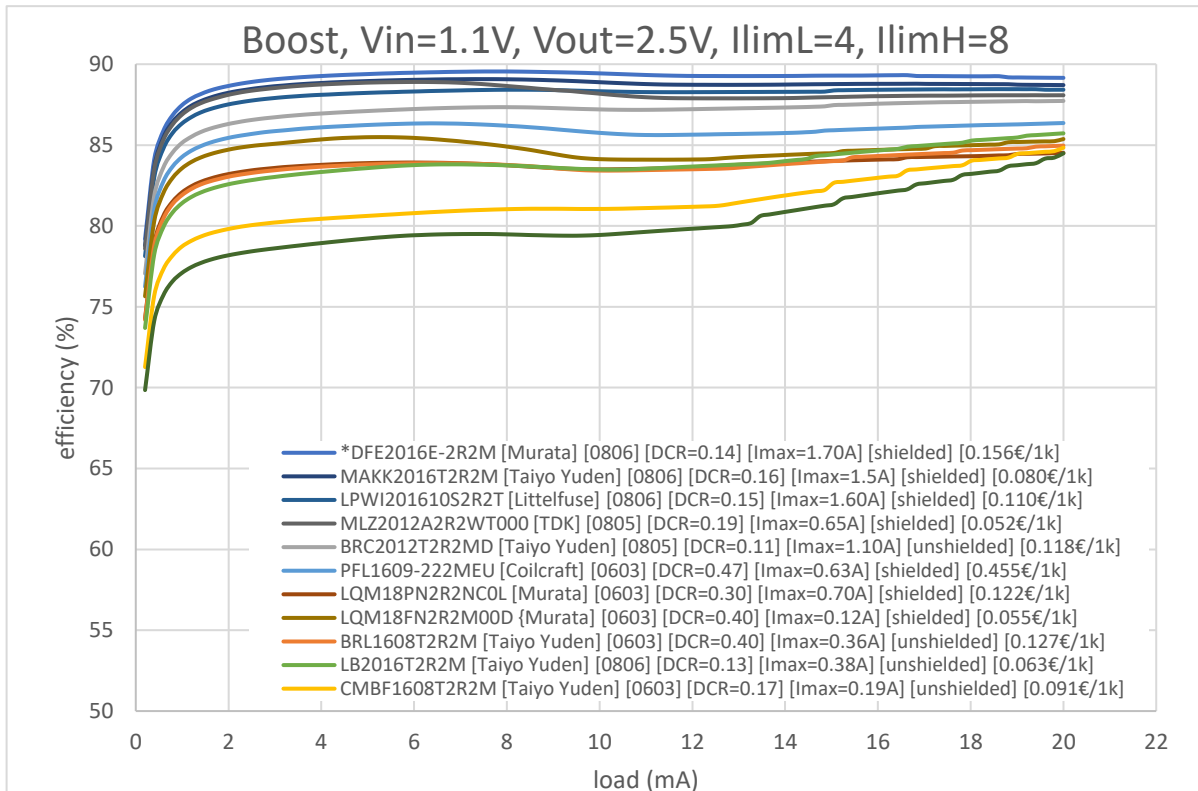


Figure 19: DA14531 DCDC Power Efficiency. Boost Mode, Produced Voltage VBAT_High=1.8V

DA1453x Hardware Guidelines

ILIM defines the peak current of the Inductor of the DCDC converter (L1). The peak current varies between DCDC_ILIM_MAX (iLimH) and DCDC_ILIM_MIN (iLimL). DCCD_ILIM_MAX is the maximum peak current that can pass through the Inductor. For a peak current higher than this limit, the internal switch of the DCDC converter is deactivated.

DCDC_ILIM_MIN and DCDC_ILIM_MAX can be set between 6 mA and 96 mA, with a 6 mA step.

Table 9: Inductor Peak Current Limit

| Inductor peak current | DCDC_CTRL_REG (0x50000080)P bits | Default | Current |
|-----------------------|----------------------------------|---------|---------|
| DCDC_ILIM_MAX | 14:12 | 0x8 | 54mA |
| DCDC_ILIM_MIN | 11:8 | 0x4 | 30mA |

The current limit values in [Table 9](#) are set in the SDK and will fit in most use cases. In general, the recommendation is to leave the current limit values as is, since the system performance is verified with these settings. In special cases, the user can adjust the settings to fit the needs of the application. Note however, that changes in these settings may affect system performance.

3.2.2 XTAL, 32 MHz (Y1)

The main clock of the DA14531 SoC is 16 MHz, which is generated from a 32 MHz crystal oscillator. The crystal oscillator consists of an external 32 MHz XTAL and the internal clock oscillator. The recommended operating conditions are given in [Table 10](#).

Table 10: XTAL32 MHz Oscillator - Recommended Operating Conditions

| Symbol | Parameter | Conditions | Min | Typ | Max | Unit |
|--------------------|------------------------------|---|-----|-----|-----|----------|
| fXTAL_32M | crystal oscillator frequency | | | 32 | | MHz |
| Δ fXTAL | crystal frequency tolerance | After optional trimming; including aging and temperature drift. ^{Note 1} | -20 | | 20 | ppm |
| Δ fXTAL_UNT | crystal frequency tolerance | Untrimmed; including aging and temperature drift. ^{Note 2} | -40 | | 40 | ppm |
| ESR_1 | equivalent series resistance | C0=3pF | | | 100 | Ω |
| ESR_2 | equivalent series resistance | C0=5pF | | | 60 | Ω |
| C0_1 | shunt capacitance | ESR=100 Ω | | | 3 | pF |
| C0_2 | shunt capacitance | ESR=60 Ω | | | 5 | pF |
| CL | load capacitance | No external capacitors are required | 4 | 6 | 8 | pF |

Note 1 With the use of the internal varicaps there is the possibility to trim a wide range of crystals to the required tolerance.

Note 2 Maximum allowed frequency tolerance for compensation by the internal varicap trimming mechanism.

If the specification of the crystal meets the requirements of the DA14531 oscillator, the crystal package does not affect the operation of the system. Several crystals are tested successfully. A short list can be found in [Table 11](#).

DA1453x Hardware Guidelines

Table 11: Successfully Tested Crystals

| Part number | Provider | Package |
|--------------------|----------|-----------------|
| XRCGB32M000F1H00R0 | Murata | 2.0 mm x 1.6 mm |
| 8Q32070005 | TXC | 1.6 mm x 1.2 mm |
| TZ3484B | Taisaw | 1.6 mm x 1.2 mm |
| TZ3375C | Taisaw | 2.0 mm x 1.6 mm |
| 8J32070002 | TXC | 1.2 mm x 1.0 mm |

The selected crystal for the DA14531 PRO-devkit is the XRCGB32M000F1H00R0 of Murata. The XTAL specification is presented in [Table 12](#).

Table 12: Selected Main XTAL Specification

| Parameter | Description | Min | Typ | Max | Unit |
|--------------------------------|-------------|-----|-----|-----|---------|
| Frequency | Fo | | 32 | | MHz |
| Operating Temperature Range | Top | -30 | | 85 | °C |
| Load Capacitance | CL | | 6 | | pF |
| Drive Level | DL | | 150 | 300 | μW |
| Equivalent Series Resistance | ESR | | | 60 | Ω |
| Frequency Tolerance | dF/Fo | -10 | | 10 | ppm |
| Frequency shift by Temperature | dF/F25 | -10 | | 10 | ppm |
| Aging | dF/F25 | -2 | | 2 | ppm |
| Package | 2.0x1.6 mm | | | | mm × mm |

3.2.2.1 32 MHz XTAL Trimming

The 32 MHz (XTAL32M) crystal oscillator has trimming capability. The frequency is trimmed by two on-chip variable capacitor banks. See [Figure 20](#). Both capacitor banks are controlled by the same 8-bit register, CLK_FREQ_TRIM_REG.

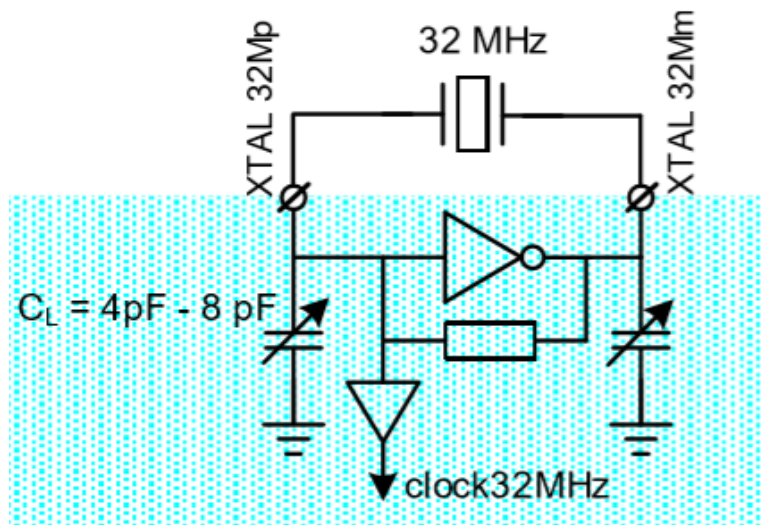


Figure 20: The Circuit of 32 MHz Crystal Oscillator

DA1453x Hardware Guidelines

With `CLK_FREQ_TRIM_REG[XTAL32M_TRIM] = 0x00`, the minimum capacitance and thus the maximum frequency is selected.

With `CLK_FREQ_TRIM_REG[XTAL32M_TRIM] = 0xFF`, the maximum capacitance and thus the minimum frequency is selected.

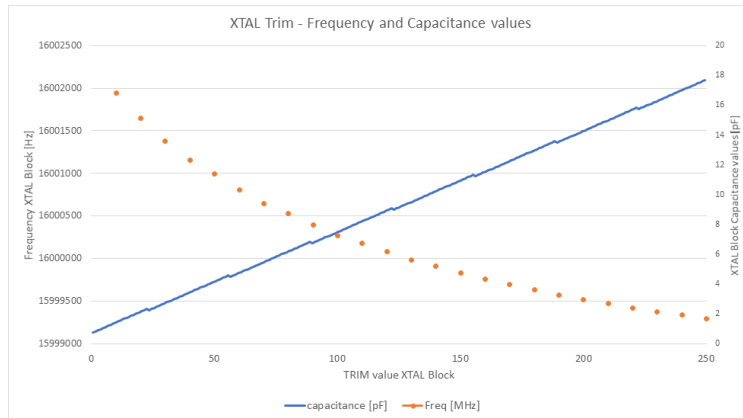


Figure 21: 32 MHz XTAL Oscillator Capacitance Value Versus Frequency

The advice is to trim the crystal (XTAL) to achieve optimal RF performance and power consumption. Not trimming the crystal might lead to out of spec RF, when taking frequency drift into account due to temperature and aging.

Crystal trimming is fully supported by the PLT [2], without the need for external equipment or can be performed manually.

Crystal Trimming is an iterative algorithm:

1. Set the TRIM-value.
2. Measure the resulting frequency.
3. Adapt the TRIM value until $\Delta < 5$ ppm.

3.2.2.2 Improved XTAL32M setting

Starting from **SDK 6.0.20** we will introduce an improved current and amplitude setting for the 32MHz XTAL oscillator. Customers working with an earlier SDK version should change the settings as shown below:

```
XTAL32M_CTRL0_REG: CORE_CUR_SET = 1
XTAL32M_CTRL0_REG: CORE_AMPL_TRIM = 5
```

To achieve this, the SDK must be adapted.

Change `system_init()` in `arch_system.c` and `arch_hibernation_restore()` in `arch_hibernation.c` like this:

Replace:

```
SetBits16(XTAL32M_CTRL0_REG, CORE_CUR_SET, 2);
```

With:

```
SetBits16(XTAL32M_CTRL0_REG, CORE_CUR_SET, 1);
SetBits16(XTAL32M_CTRL0_REG, CORE_AMPL_TRIM, 5);
```

Additionally, make sure not to set the `CLK_FREQ_TRIM_REG` to 0x0 before going to sleep:

Delete in `arch_main.c`

```
SetWord16(CLK_FREQ_TRIM_REG, 0); // Set zero value to CLK_FREQ_TRIM_REG
```

DA1453x Hardware Guidelines
3.2.3 XTAL, 32.768 kHz (Y2)

Users can put an external crystal of 32.768 kHz on pins P0_3 and P0_4 of DA14531 (external digital clock can also be applied on pin P0_3).

This XTAL oscillator does not have varicap tuning, so the frequency accuracy of this clock will depend on the selected component. Select a crystal that matches the specification given in [Table 14](#), or matches the crystal with external load capacitance. The recommended operating conditions for the 32.768 kHz crystal oscillator are given in [Table 13](#).

Table 13: XTAL Oscillator 32kHz - Recommended Operating Conditions

| Symbol | Parameter | Conditions | Min | Typ | Max | Unit |
|-----------|---|---|------|--------|-----|------|
| fXTAL_32M | crystal oscillator frequency | | 30 | 32.768 | 35 | kHz |
| ESR | equivalent series resistance | | | | 100 | KΩ |
| CL | load capacitance | No external capacitors are required for a 6pF or 7pF crystal | 6 | 7 | 9 | pF |
| C0 | shunt capacitance | | | 1 | 2 | pF |
| PDRV_MAX | maximum drive power | | 0.1 | | | μW |
| ΔfXTAL | crystal frequency tolerance (including aging) | Timing accuracy is dominated by crystal accuracy. A much smaller value is dominated | -250 | | 250 | ppm |

A crystal that can be used is the SC20S-7PF20PPM of SEIKO Instruments. The specification is given in [Table 14](#).

Table 14: Selected Main XTAL Specification

| Parameter | Description | Min | Typ | Max | Unit |
|------------------------------|------------------|-----|--------|-----|------|
| Frequency | Fo | | 32.768 | | KHz |
| Operating Temperature Range | Top | -40 | | +85 | °C |
| Load Capacitance | CL | | 7 | | pF |
| Equivalent Series Resistance | ESR | | | 90 | KΩ |
| Shunt Capacitance | Co | | 1.3 | | pF |
| Frequency Tolerance | dF/Fo | -20 | | +20 | ppm |
| Aging, per year | dF/F25 | | ±3 | | ppm |
| Drive Level | DL | | 0.1 | 1 | μW |
| Package | 2.05 x 1.2 x 0.6 | | | | mm |

Notice: There is no 32.768 kHz crystal used on the DA14531 PRO-development kit. An internal RCX oscillator is used instead.

In most applications the DA14531 can run with good accuracy with its internal RC oscillator (RCX) and therefore the XTAL32k is not needed. For applications with more demanding accuracy/drift characteristics, such as timekeeping, consider using the XTAL32k.

DA1453x Hardware Guidelines
3.2.4 Reset

During power on and before booting, the reset pin is active high, and is assigned on P0_0. This is the HW reset. After boot, reset pin assignment and operation is handled by software.

At boot, P0_0 is also assigned as output to UART and SPI for the time required from each booting step. At the end of each boot step, P0_0 is assigned again to Reset.

Table 15: P0_0 Assignment During Boot

| pin | Booting Sequence | State | Comments |
|------|------------------|---|---|
| P0_0 | Before boot | RST | Input with pull down |
| | During boot | MISO, (Boot Step 1) UTX, (Boot Step 4) MOSI. (Boot Step 5) RST | P0_0 is handled from Booting sequence. At the end of each step, and before next booting step, P0_0 is assigned to Reset |
| | After boot | GPIO | Handled by the software. |

The RST functionality on P0_0 can be disabled by setting the HWR_CTRL_REG[DISABLE_HWR] bit.

Special consideration regarding Reset functionality and P0_0 multiplexing is presented in more details in [Appendix A](#).

3.2.5 JTAG

JTAG consists of SWDIO and SWCLK. In the WLCSP17 package, SWCLK and SWDIO are assigned to P0_2 and P0_5. For FCQFN24 devices, SWCLK is assigned to P0_2 and SWDIO is assigned to P0_10. But through software programming, SWDIO can also be assigned to P0_1.

During the booting sequence, JTAG is not enabled. If no bootable device is found on any of the serial interfaces, the booter can do two things depending on what was stored in the Configuration Script (CS). If the 'Debugger disable' (0x70000000) command is stored in the CS, the booter will start rescanning the peripherals. Otherwise it will enter an endless loop with the debugger (JTAG) being enabled.

To use the JTAG GPIOs as general-purpose pins, the JTAG function must be disabled by clearing the 'debugger enable' bits. See [Figure 22](#). The same bits can be used to remap the JTAG pins.

| SYS_CTRL_REG (0x50000012) | | | |
|----------------------------------|------|-----------------|--|
| Bit | Mode | Symbol | Description |
| 8:7 | R/W | DEBUGGER_ENABLE | Enable the debugger. This bit is set by the booter according to the OTP header. If not set, the SWDIO and SW_CLK can be used as gpio ports. 0x0: no debugger enabled. 0x1: SW_CLK = P0[2], SW_DIO=P0[5] 0x2: SW_CLK = P0[2], SW_DIO=P0[1] 0x3: SW_CLK = P0[2], SW_DIO=P0[10] |

Figure 22: Debugger Enabling

DA1453x Hardware Guidelines

3.2.6 UART

There are three different UART configurations possible: 1-wire UART (preferable due to low pin number), 2-wire UART and 4-wire UART.

UART, Single-wire: UTX and URX are multiplexed together on a single pin of DA14531. On board level, a 1 kΩ resistor separates the two signals. See [Figure 23](#).

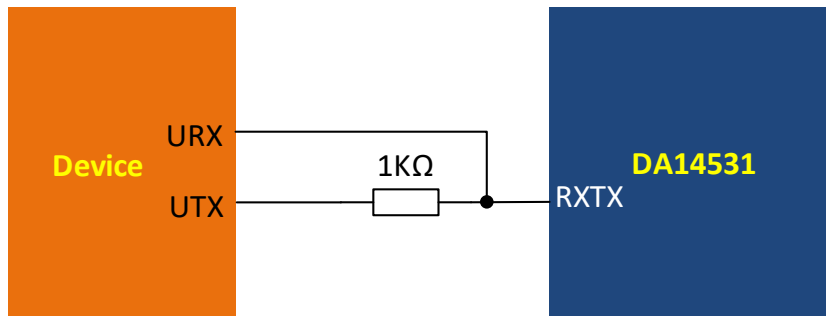


Figure 23: Single UART Hardware Configuration

In a regular UART bus, UTX and URX lines can be active simultaneously. In most use cases of the DA14531 (boot, HCI commands etc.), the traffic on the UART is half duplex and a single wire can be used for all UART transactions. On the DA14531 side, the SDK UART driver takes care of switching the pin direction.

On the host side, all data sent will be echoed back since Tx and Rx are shorted. For successful communication, the software should be able to discard the echo. Smart Snippets Toolbox implements such a feature and can be used with a 1-wire UART.

Single-wire UART is used on the booter. The DA14531 has two options to boot from single-wire UART: from P0_5 in boot step #2 and from P0_3 in boot step #3. After the boot sequence, the application software can redefine any GPIO as single-wire UART.

UART, 2-wires: UTX and URX.

Two-wire UART is used in boot step #4. P0_0 and P0_1 are used for UTX (output) and URX (input) respectively.

After boot, the software can reassign the UTX and URX to other pins by setting the Pxx_MODE_REG.

UART, 4 wires: This is the full UART with flow control. Set the Pxx_MODE_REG to assign GPIOs. Hardware flow control is mainly needed for external host applications.

3.2.7 SPI Data Flash

There are two available SPI modes on DA14531, Ext-SPI master and Ext-SPI slave. In the Ext-SPI master mode, an external processor (master) can download code to the DA14531. In the Ext-SPI slave, the DA14531 can download code from a slave device such as an external SPI data Flash.

In this case, the bootloader will download the binary file to RAM and execute it. The default GPIOs during boot are given in [Table 16](#).

Table 16: DA14531 Pins Assignment for SPI Data Slave on Booting

| DA14531 Signals | SPI Data Flash |
|-----------------|----------------|
| P0_0 | MOSI |
| P0_1 | CS |
| P0_3 | MISO |
| P0_4 | SCK |

DA1453x Hardware Guidelines

Booting GPIOs can be changed by either a secondary bootloader, or by declaring them in the OTP header boot-specific mapping.

Data flashes tested successfully are listed in AN-B-088 DA145xx Flash Selector Guide.

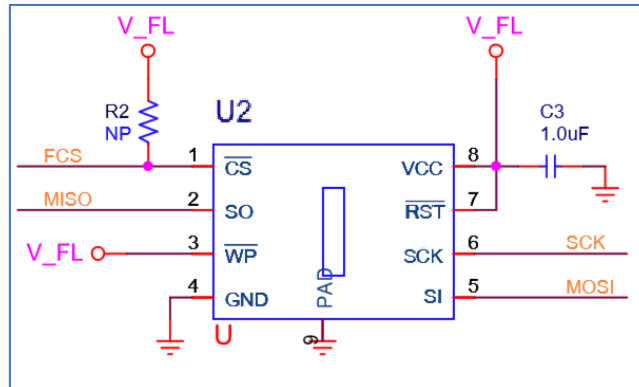


Figure 24: SPI Data Flash Hardware Setup

The SPI clock (SCK) frequency is configurable up to 32 MHz. Please note that the frequency depends on the physical connections between the DA14531 SoC and the SPI Data flash. On DA14531 DK-PRO, there is significant capacitive load on the SPI pins, due to signal multiplexing and long traces. On the software development kit (SDK), the frequency used is 2 MHz to boot and 4 MHz for SUOTA.

PCB Layout Notice

The SPI data flash Read / Write frequency depends on the PCB layout. The suggestion is to put the data flash as close as possible to the DA14531. In case that this is not feasible, consider adding termination resistors in the order of 30 Ω next to source pins. Add GND between routed traces to eliminate crosstalk.

3.3 RF Section

DA14531 provides a 50 Ω single RFIO port for Tx and Rx without requiring external balun or RF switch. The internal RF power amplifier provides Tx RF power from -19.5 dBm to +2.5 dBm.

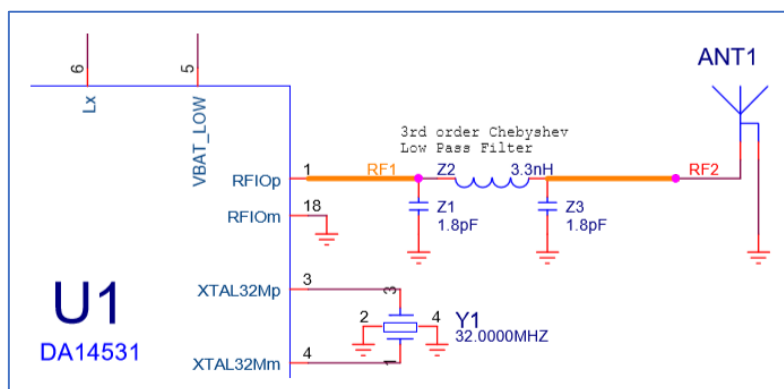


Figure 25: DA14531 RF Section

The Pi filter for Dialog Semiconductor's DA14531 System-on-Chip (SoC) in 2.4 GHz Bluetooth low energy applications specifically addresses the conducted and radiated performance.

The objective of the Pi-filter is to suppress the local oscillator leakage, which violates the conducted performance requirements of ETSI, ARIB (Japanese standard) and KC (Korean certification) standards.

DA1453x Hardware Guidelines

There is no violation of FCC regulations. Consequently, the user can omit the Pi-filter if only the FCC regulations must be adhered to.

The Pi filter configuration is chosen, because it gives the best suppression with minimal power loss at fundamental frequencies. The filter is a 3rd order Chebyshev Lowpass Filter with a cut-off frequency at 2600 MHz, and passband ripple of 0.4 dB [7].

3.3.1 Pi Filter

The filter topology is shown in Figure 26.

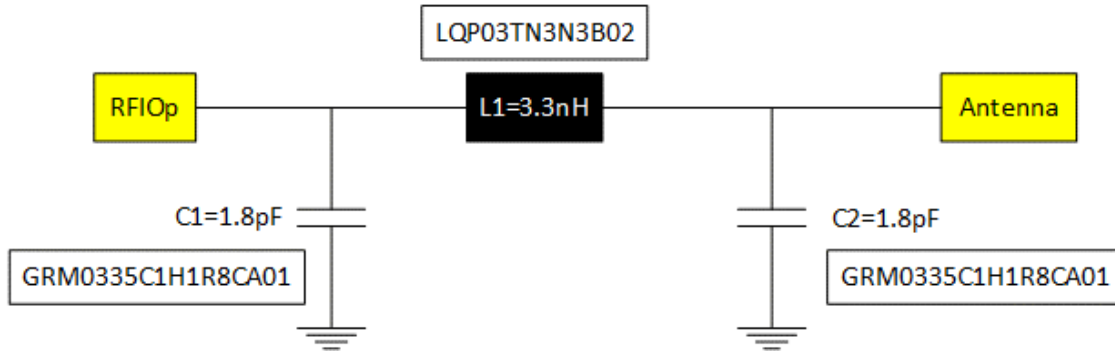


Figure 26: Pi Filter Topology

Components used:

- Capacitors: 1.8 pF, 0201, Murata, PN: GRM0335C1H1R8CA01
- Inductor: 3.3 nH, 0201, Murata, PN: LQP03TN3N3B02

Measured S21 parameters give a minimum -15 dBm attenuation at 4.8 GHz. The filter is giving a 0.7 dBm to 1.2 dBm loss in sensitivity and 0.2 to 0.7 dBm in Tx power.

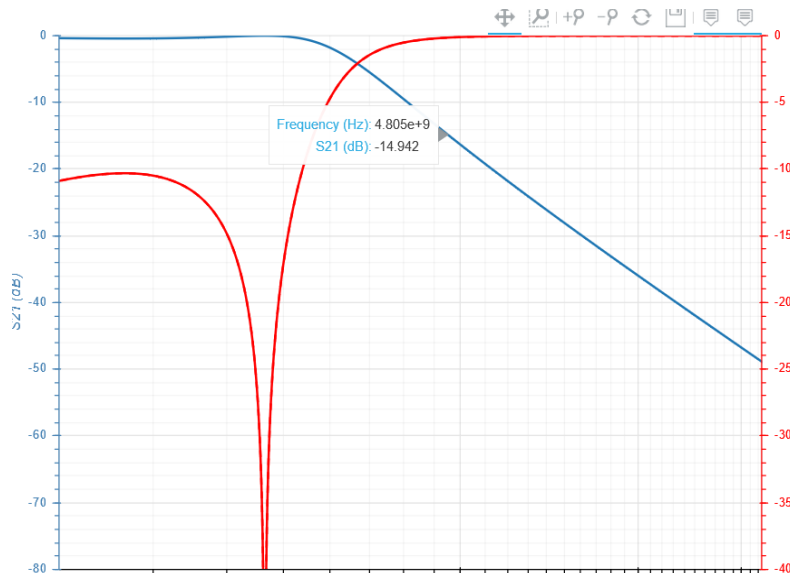


Figure 27. S21 Simulated Parameters

DA1453x Hardware Guidelines
3.3.2 Conducted Performance

The measurements are done with a calibrated spectrum analyzer and RF cables. The levels are measured at the SMA output with the DUT.

All measurements are calibrated for cable losses.

3.3.2.1 TX Measurements

The test was done at ch19, room temperature, normal operating conditions. Measurements are done in burst mode, modulated signal.

Table 17: Fundamental Power and Harmonics, Conducted Mode, PA in 3 dBm Mode

| | Fundamental | 2nd harm | 3rd harm | 4th harm | 5th harm |
|---------------------|-------------|----------|----------|----------|----------|
| Without RFIO filter | 2.54 | -39.49 | -43.95 | -48.62 | -38.03 |
| With RFIO filter | 1.81 | -56.80 | -62.72 | -64.04 | -55.06 |

Note 1 All values are in dBm

Note 2 Measurement accuracy < ± 0.3 dB

3.3.2.2 RX Measurements

The test was done at ch19, measurement frequency $2 \times 2440 + 1$ MHz = 4881 MHz.

Table 18: LO Leakage, Conducted Mode Results

| | Without RFIO filter | With RFIO filter |
|------------------|---------------------|------------------|
| LO leakage power | -41.3 | -58.78 |

Note 1 All values are in dBm

Note 2 Measurement accuracy < ± 0.3 dB

3.3.3 Antenna and Current Measurements

The antenna's transmit power is received from the RF circuitry through the Tx line (matched to an impedance of 50 Ω). Matching the input impedance of the antenna to 50 Ω is required, to ensure that the maximum power is transferred from the RF circuitry to the antenna with only a negligible amount being reflected.

However, the matching circuits are not always perfect and the components present tolerances.

Also, if a printed antenna is in contact or close to other surfaces (especially conductive materials), it is detuned, and a lot of RF energy is not radiated, but reflected to the RF transmitter.

Peak current measurements depend on the antenna matching. A not perfectly matched antenna results in a higher power consumption during RF transmission.

The safest way to measure the peak power consumption of the system (hardware and software) is to have instead of the antenna a 50 Ω termination (dummy load).

DA1453x Hardware Guidelines
4 PCB Layout Guidelines

PCB guidelines for the DA14531 are presented below, using the daughterboards of the PRO-Devkit as reference:

- FCGQFN24: DA14531-00FXDB-P _ [376-04-F]
- FCGQFN24: DA14531-01FXDB-P _ [376-04-F]
- WLCSP17: DA14531-00OGDB -P_ [376-05-E]

4.1 PCB Layout of DA14531-00FXDB-P/ DA14531-01FXDB-P (FCGQFN24)

The implemented PCB layout is based on the schematic shown in [Figure 28](#). The same layout can be used for buck, boost and bypass configurations (for bypass, L1 must be removed from the circuit).

A low-pass filter has been added on the RFIOp trace, which presents impedance on both sides, equal to 50 Ohm. The antenna is not shown in the schematic in [Figure 28](#).

Finally, please notice that Y2, 32.768 kHz can be omitted.

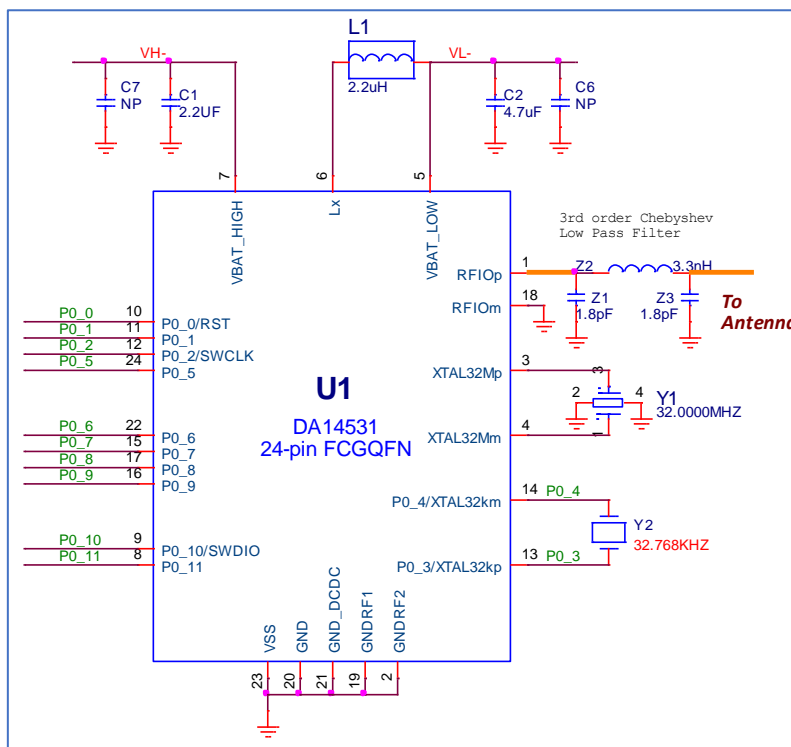
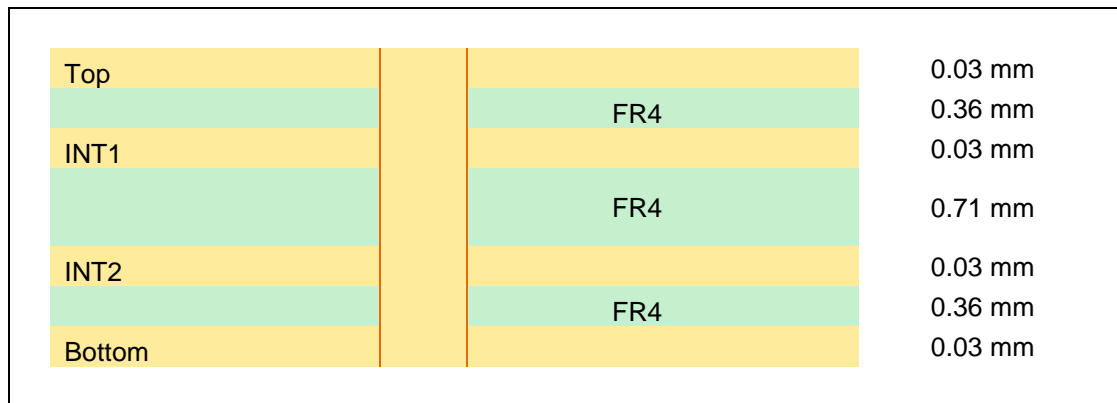


Figure 28: DA14531 FCGQFN24 Reference Circuit

PCB rules applied on the PRO-Daughterboard:

- Number of layers: 4
- Material: FR-4 – no microvias
- Vias: Mechanical
 - Under chip: Diameter 0.45 mm / drill 0.15 mm
 - Rest PCB areas: Diameter 0.5 mm / drill 0.15 mm
- Copper clearance: 0.1 mm
- Copper width: 0.1 mm

DA1453x Hardware Guidelines

Figure 29: PCB Cross Section
PCB Layout guidelines
Grounding

- Use INT1 layer free of routing and assign it as reference ground
- Separate RF ground pins of DA14531 CFGQFN24 from the rest ground pins
- Connect pin 19 to GND with vias as shown in [Figure 30](#)
- Short 20, 21, 23 GND pins together and use two GND vias, as shown in [Figure 30](#)
- Add GND stitching vias to increase the performance of the system

Power management

- Put capacitors C1 and C2 close to the pins of DA14531. Apply a GND via per capacitor next to the GND pin
- Put L1 as close as possible to the chip. Remove grounding under the inductor to minimize any possible coupling from reference ground

XTALs

- Put XTALs close to the chip
- Try to have a ground shield around XTALs
- There is no need to route the two XTAL traces differentially

Remove the area on the INT1 ground layer under the pads of XTAL to reduce coupling as shown in [Figure 31](#). Use the 3rd or 4th layer to shield the xtal pads.

RF strip

Calculate and route a 50 Ohm RF stripline between DA14531 RFIOp pin and antenna. A low-pass filter, consisting of three components (Z1, Z2, Z3) must be put as close as possible to the chip. Both capacitors must be grounded on the same side of the RF stripline preferably to RFIOm, which is the RF reference ground.

In case the antenna needs matching, put a matching circuit next to the antenna. Please ground the components on the same side of RF stripline, same as in the low-pass filter.

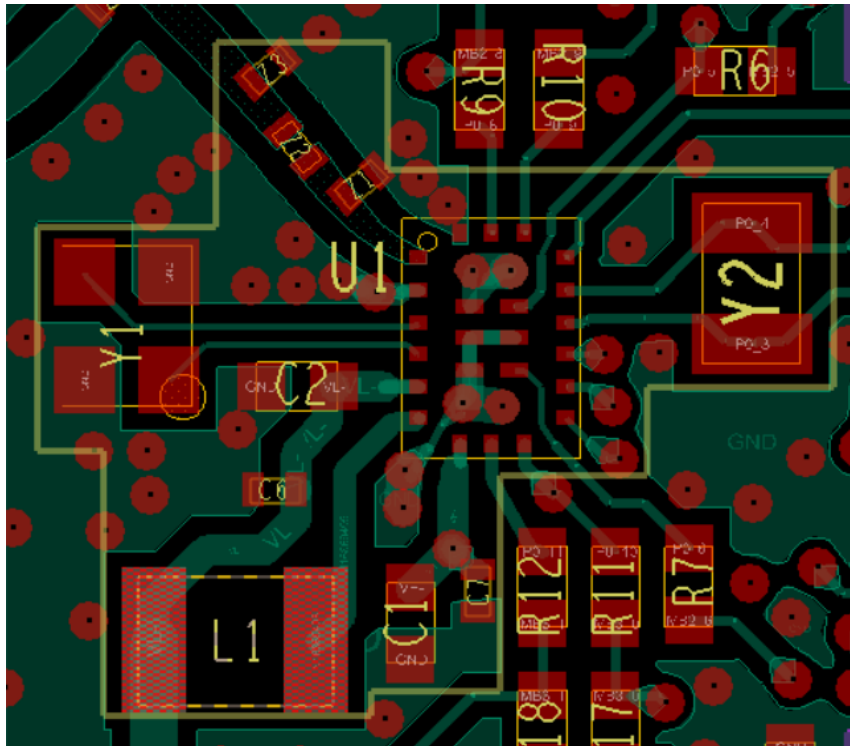


Figure 30: PCB Placement and Routing – Top Layer

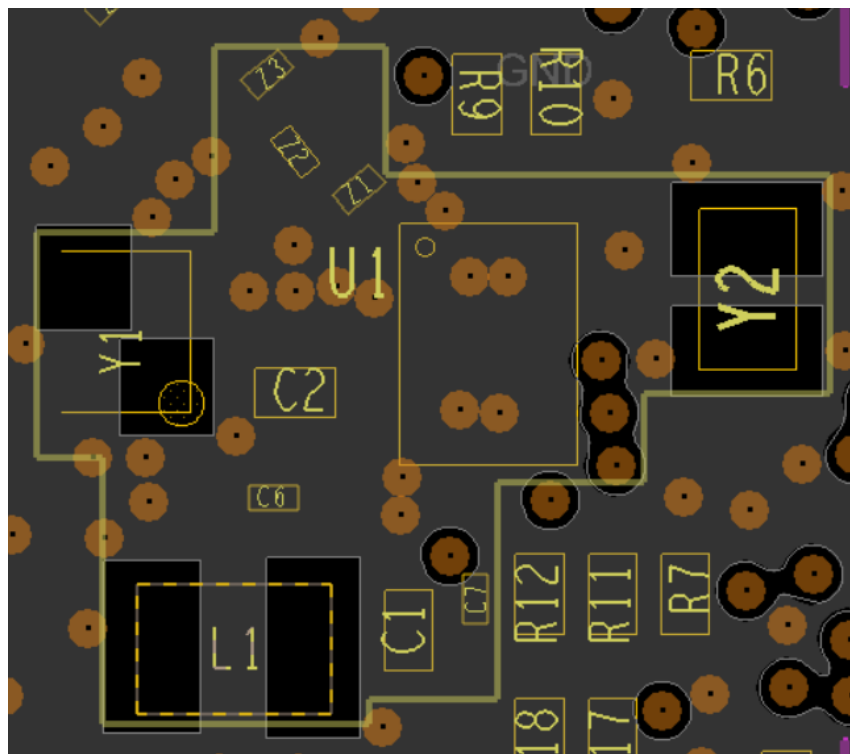


Figure 31: FCGQFN24 PCB Placement and Routing – GND Plane - INT1 Layer

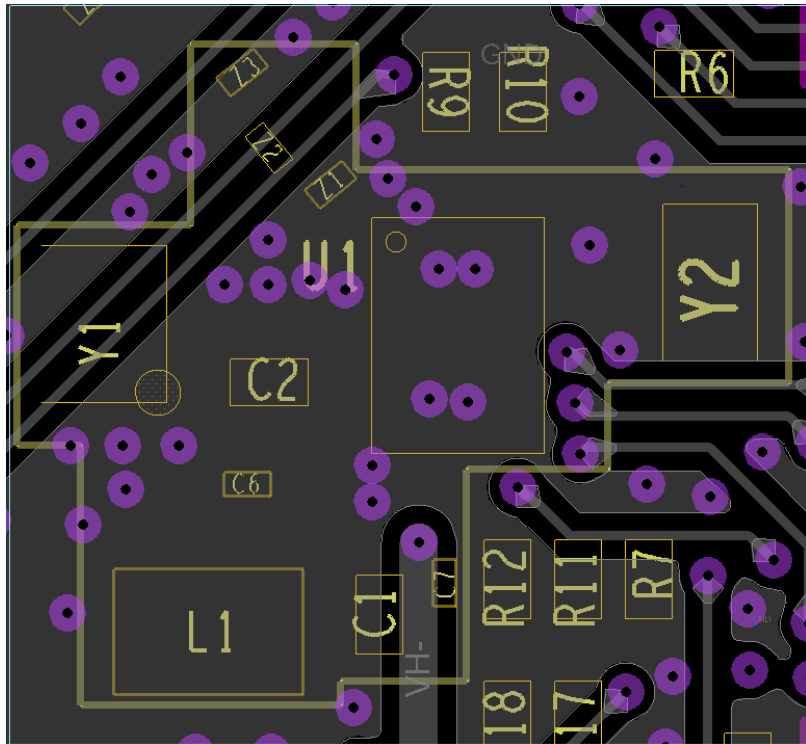


Figure 32: FCGQFN24 PCB Placement and Routing – INT2 Layer

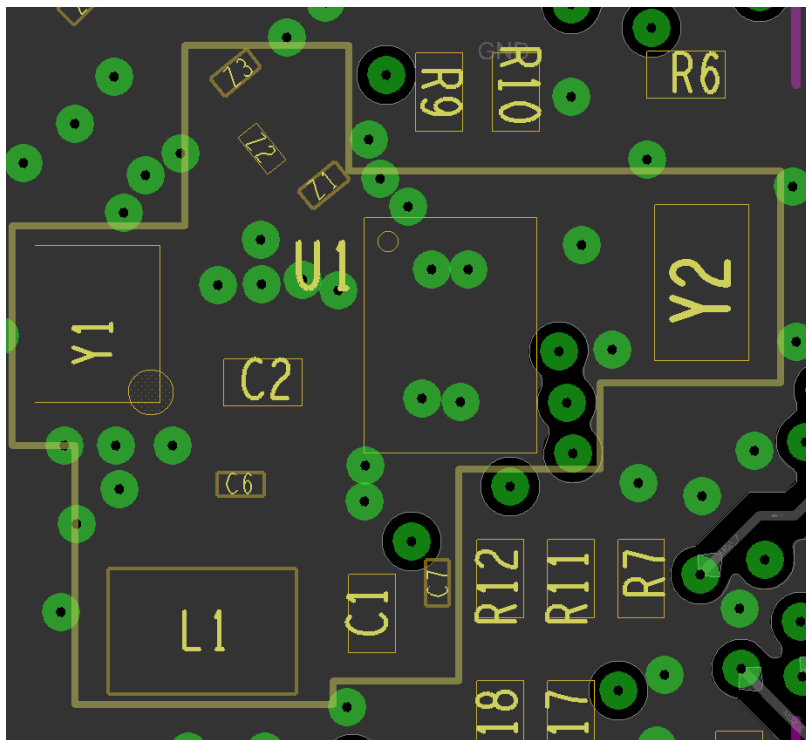


Figure 33: FCGQFN24 PCB Placement and Routing – GND Bottom Layer

DA1453x Hardware Guidelines

4.1.1 Minimal System PCB Layout for FCQFN24

An example of the PCB layout occupied from the DA14531 system is given in Figure 34. This is for the FCQFN24.

The implemented system uses the necessary components. Please note that crystal 32 kHz is omitted. The inductor is the same as on the Pro-Devkit whereas all signals are fanned out. Component placement is much more efficient than the PRO-development kit, as there is no need for signals multiplexing. Dimensions of the area are 5.8 mm x 7.6 mm.

The PCB can be either 2 layers or 4 layers. For a two layer design, please close the openings under the xtal pads on the 2nd layer.

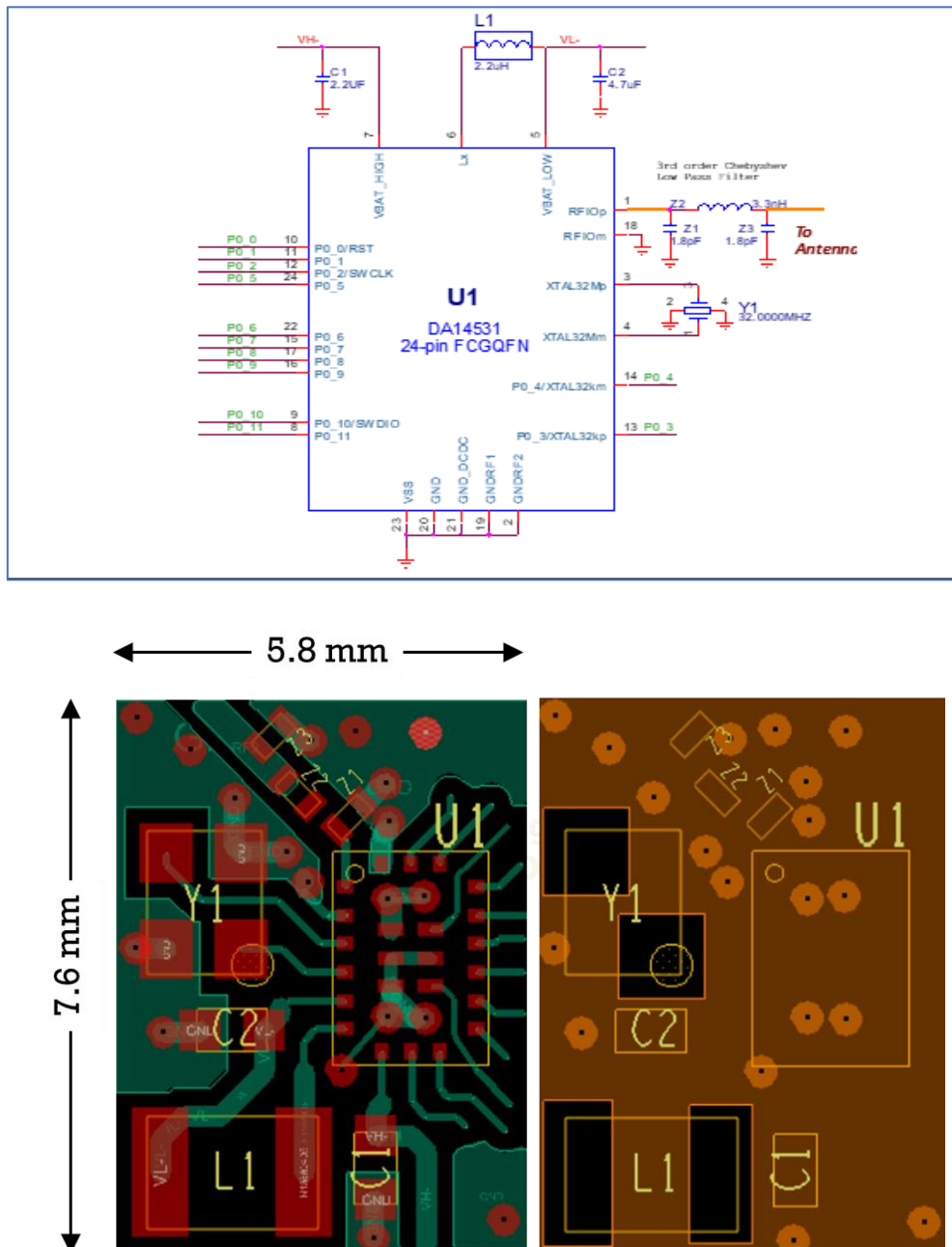


Figure 34: PCB Occupied Area for DA14531-FCGQFN24 System, (above: the schematic; below: right the top layer and left, the INT1 layer)

4.2 PCB Layout of DA14531-0 OGDB-P PRO-Devkit (WLCSP)

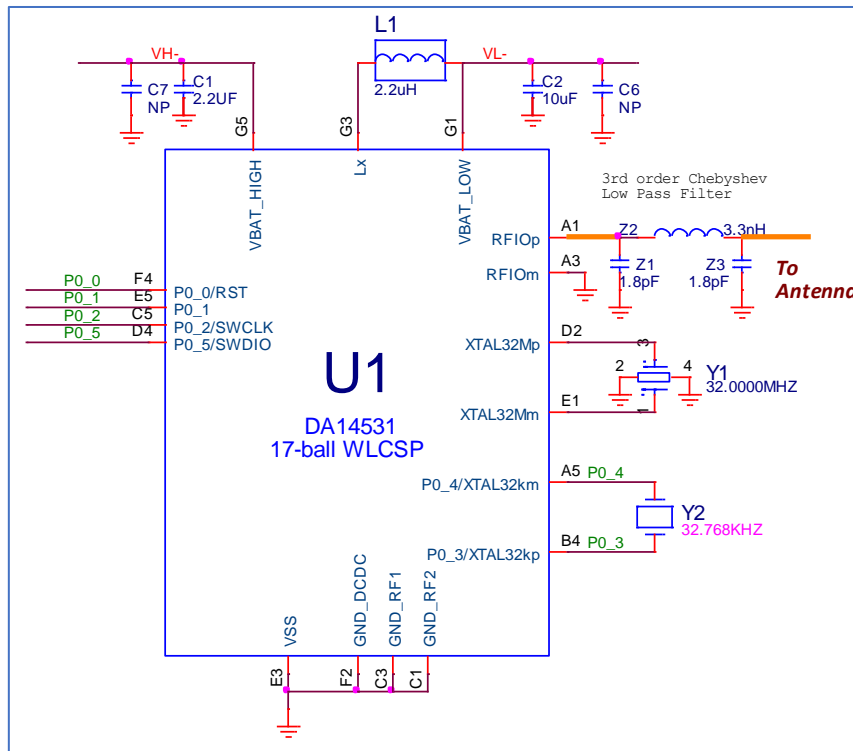


Figure 35: DA14531 WLCSP17 Reference Circuit

PCB rules applied on PRO-Daughterboard:

- Number of layers: 4
- Material: FR-4 – no microvias
- Vias: Mechanical
 - Under chip: no vias
 - Rest PCB areas: Diameter 0.5 mm / drill 0.15 mm
- Copper clearance: 0.1 mm
- Copper width: 0.1 mm

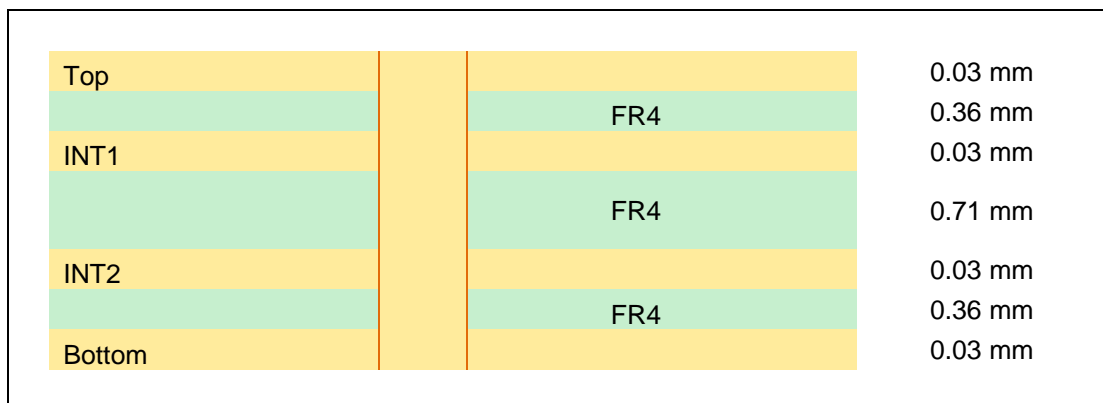


Figure 36: PCB Cross Section

DA1453x Hardware Guidelines
4.2.1 PCB Layout Guidelines
Grounding

- Use INT1 layer free of routing and assign as reference ground
- Separate RF ground pins of DA14531 WLCSP17 from the rest ground pins
- Connect pin A3 to GND with a via as shown in [Figure 37](#)
- Short C1, C3, and E3 pins together and use two or more GND vias, as shown in [Figure 37](#)
- Add GND stitching vias to increase the performance of the system

Power management

- Put capacitors C1 and C2 close to the pins of DA14531. Apply a GND via per capacitor next to the GND pin
- Put L1 as close as possible to the chip. Remove the grounding under the inductor to minimize possible coupling from the reference ground

XTALs

- Put XTALs close to the chip
- Try to have a ground shield around XTALs
- There is no need to route the two XTAL traces differentially
- Remove the area on the INT1 ground layer under the pads of the XTAL to reduce the coupling as shown in [Figure 38](#)

SPI Data Flash: SPI data flash Read / Write speed depends on the PCB layout. The suggestion is to put the data flash as close as possible to the DA14531. If that is not feasible, consider adding termination resistors in the order of 30 Ω next to source pins. Add GND between routed traces to eliminate crosstalk.

RF strip: calculate and route a 50 Ohm RF stripline between the DA14531 RFIOp pin and the antenna. A low-pass filter that consists of three components (Z1, Z2, Z3) must be put as close as possible to the chip. Both capacitors must be grounded on the same side of the RF stripline (RFIOm). See [Figure 37](#).

If the antenna needs matching, put a matching circuit next to antenna. Please ground components on the same side of RF stripline, the same as for the low-pass filter.

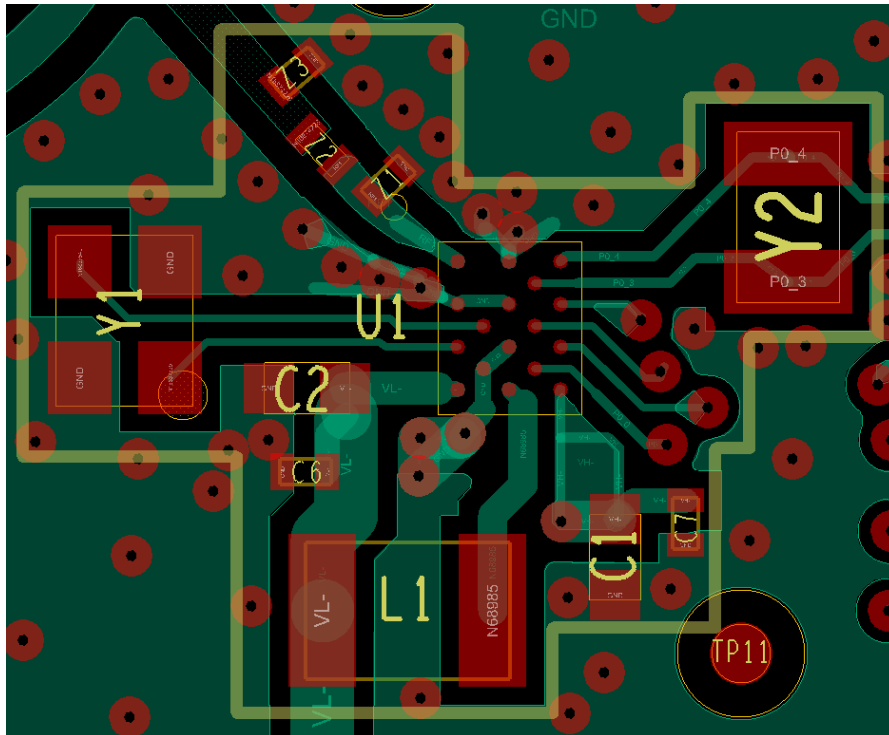


Figure 37: WLCSP17 - PCB Placement and Routing – Top Layer

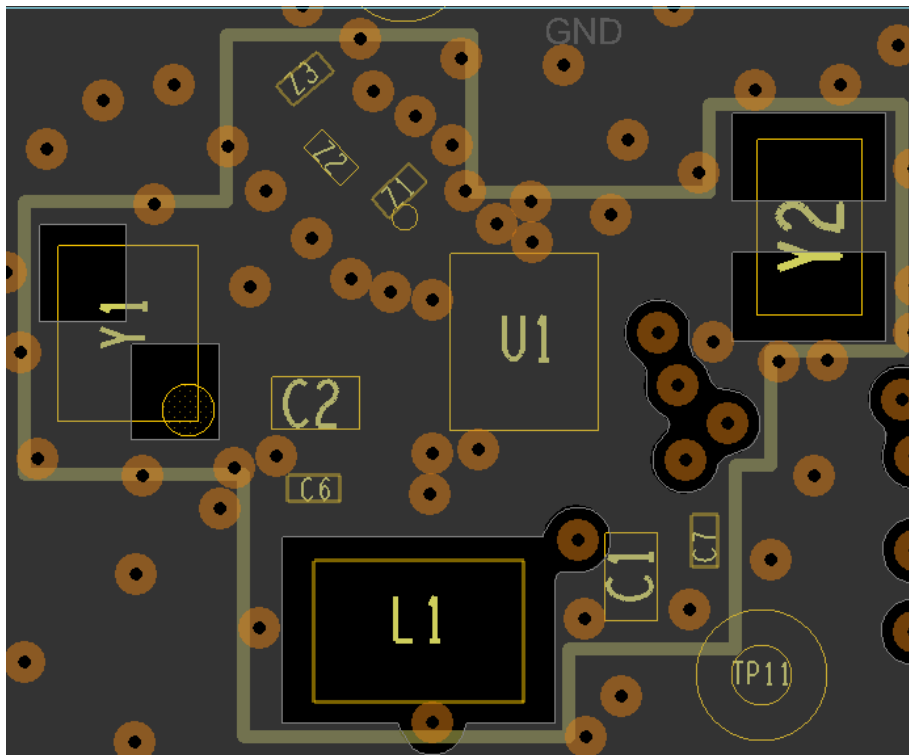


Figure 38: WLCSP17 PCB Placement and Routing – GND plane - INT1 Layer

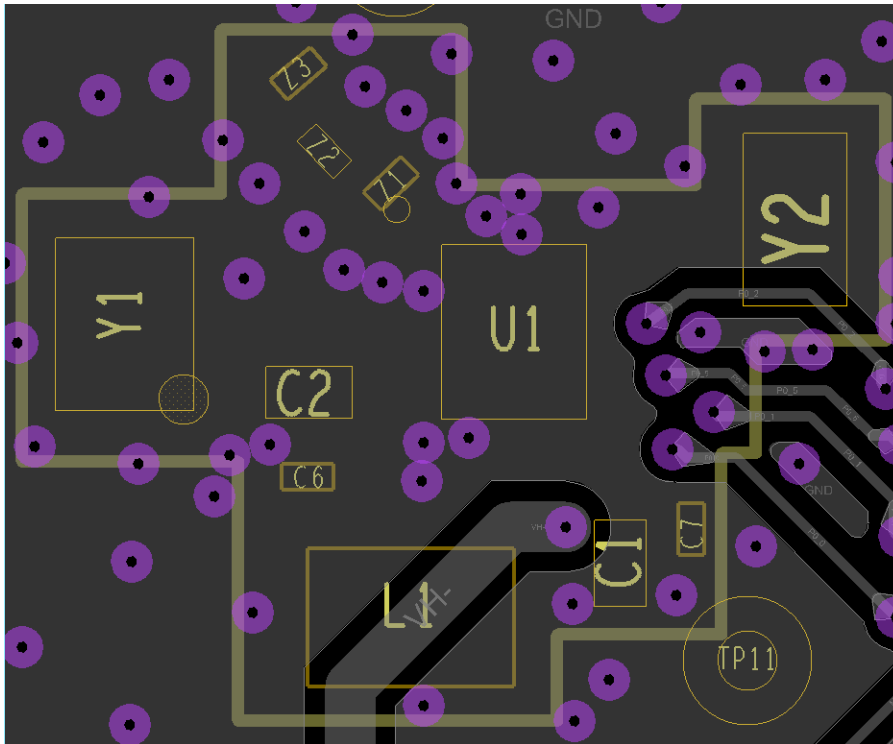


Figure 39: WLCSP17 PCB Placement and Routing - INT2 Layer

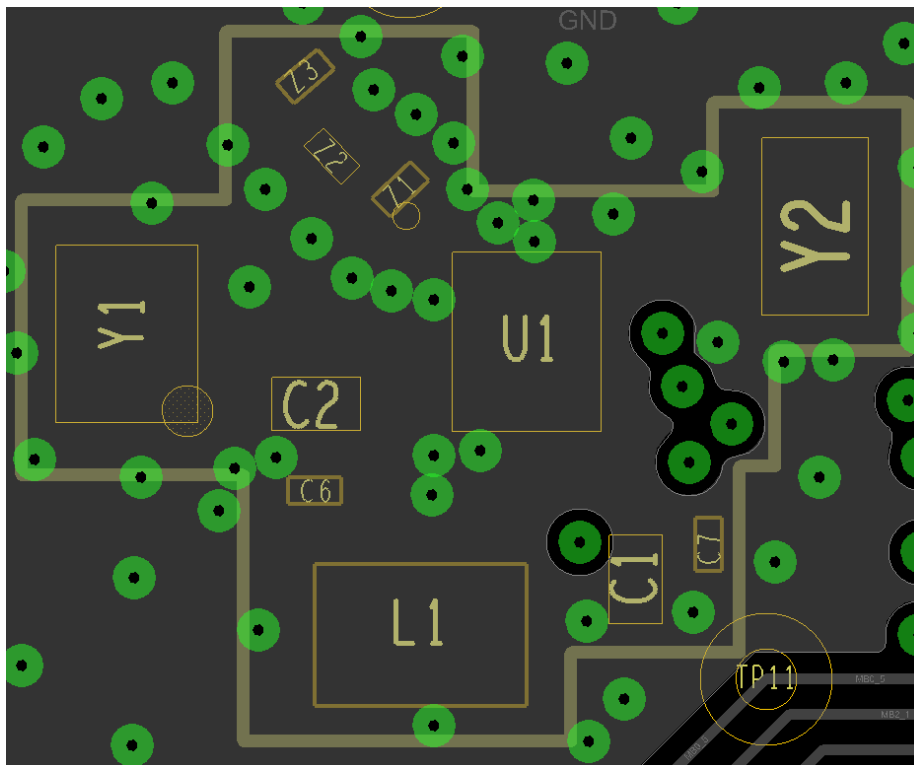


Figure 40: WLCSP17 PCB Placement and Routing – Bottom Layer

DA1453x Hardware Guidelines

4.2.2 Minimal System PCB Layout for WLCSP17

An example of the PCB layout occupied from the DA14531 – WLCSP17 system is shown in [Figure 41](#).

The crystal 32 kHz is omitted. The inductor is the same as on the Pro-Devkit, whereas all signals are fanned out. Components are much more efficiently positioned in comparison to PRO-development daughterboard as there is no signal multiplexing. Dimensions of the area are 5.2 mm x 7.4 mm. The PCB can be either 2 layers or 4 layers. For a two layer design, please close the openings under the xtal pads on the 2nd layer.

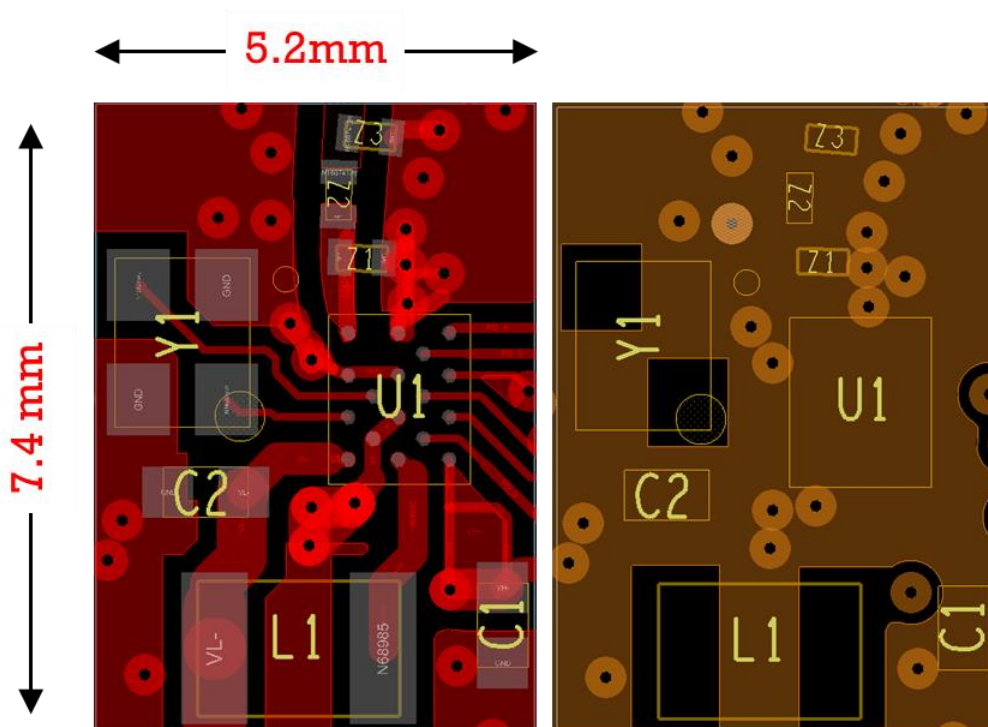
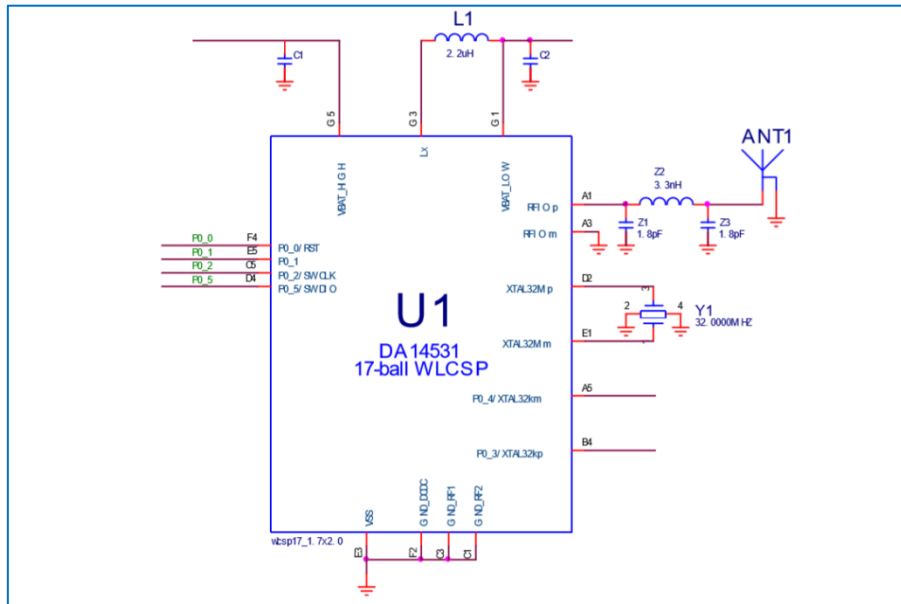


Figure 41: PCB Occupied Area for DA14531-WLCSP17 System

(above: the schematic; below: right the top layer and left, the INT1 layer)

DA1453x Hardware Guidelines

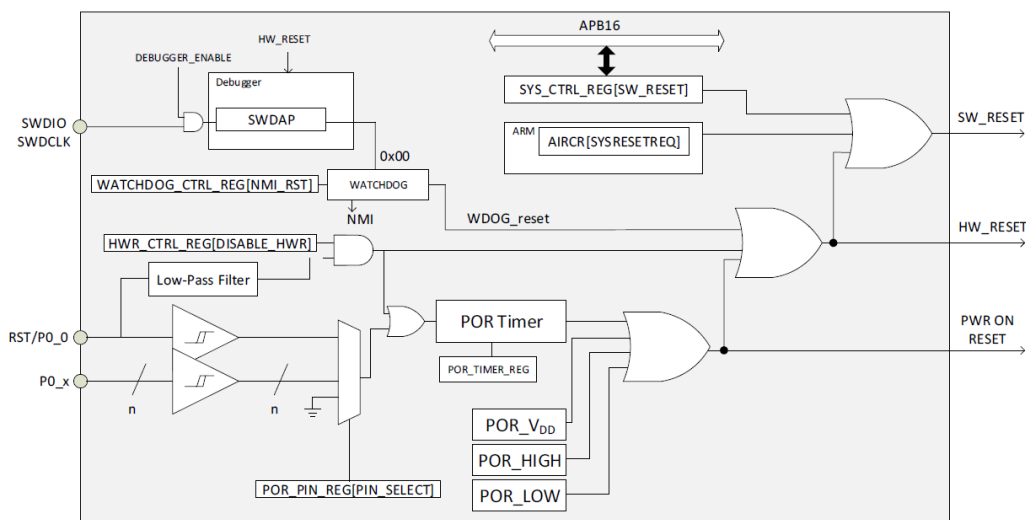


Figure 43: Reset Block Diagram

A.2 Booting Sequence and P0_0

P0_0 is used as booting pin in the steps described in the following table.

| | Step 1 | Step 2 | Step 3 | Step 4 | Step 5 | Step 6 |
|----------|--------------------------|------------------------------------|------------------------------------|-----------------------|-------------------------|---------------|
| | Boot from ext SPI Master | Boot from 1 wire UART (1st option) | Boot from 1 wire UART (2nd option) | Boot from 2 wire UART | Boot from ext SPI Slave | Boot from I2C |
| P0_0/RST | MISO | | | Tx | MOSI | |
| P0_1 | MOSI | | | Rx | SCS | |
| P0_2 | | | | | | |
| P0_3 | SCS | | RxTx | | MISO | SDA |
| P0_4 | SCK | | | | SCK | SCL |
| P0_5 | | RxTx | | | | |

Note: The booter will try to boot from the above serial interfaces in the order from Step 1 to step 6.

Figure 44: Booting sequence and booting pins for DA14531

During power on and before booting, the reset pin is active high, and is assigned on P0_0. This is the HW reset. After boot, reset assignment and operation is handled by software.

During boot, the reset functionality POR or HW reset on P0_0 is multiplexed with SPI Slave MISO (Boot Step 1), MOSI (Boot Step 5) and UART Tx (Boot Step 4). During this time reset functionality is disabled. At the end of each boot step, the reset functionality on P0_0 is restored.

DA1453x Hardware Guidelines

Table 19: P0_0 Assignment During Boot

| Pin | Booting Sequence | State | Comments |
|------|------------------|---|---|
| P0_0 | Before boot | RST | Input with pull down |
| | During boot | MISO, (Boot Step 1) UTX, (Boot Step 4) MOSI, (Boot Step 5) RST | P0_0 is handled from Booting sequence. At the end of each step, and before next booting step, P0_0 is assigned to Reset |
| | After boot | GPIO | Handled by the software. |

The RST functionality on P0_0 can be disabled by setting the HWR_CTRL_REG[DISABLE_HWR] bit.

During start-up sequence the RST pin will be input with pull-down keeping the chip out of reset. After application initialization the RST pin can be switched into GPIO mode. In case an external microcontroller doesn't drive P0_0, it is recommended to use it as an output in order to not permit external devices to interfere with the power up sequence of the chip.

A.3 SPI FLASH

P0_0 in many cases is connected to SPI_MOSI of SPI FLASH. In this case RST/P0_0 pin should not be driven while the device is booting from the SPI Flash. Any external circuit that triggers HW reset should not be used during this time.

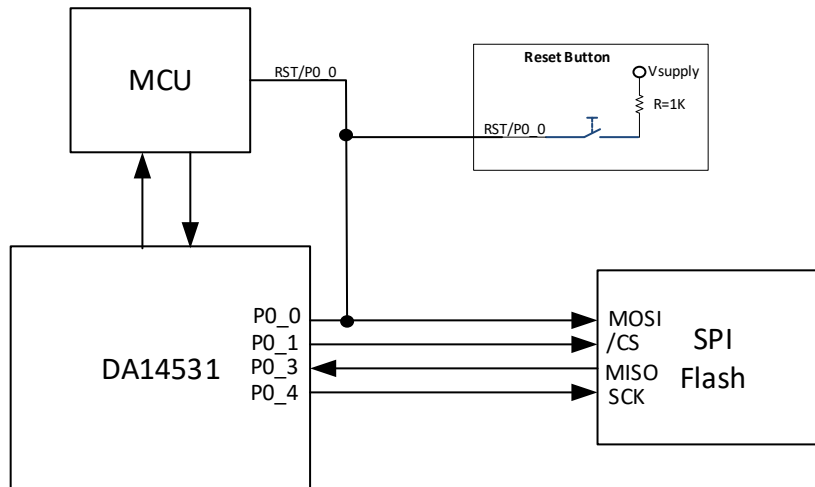


Figure 45: P0_0 connected to SPI_MOSI

A.4 Examples

A.4.1 Example 1: Booting from 2-wire UART

Since the idle state of the UART lines are default high, FTDI devices and microcontrollers tend to have a pull up resistor on their RX line in order to avoid continuous break. Since P0_0 is used as a TX while booting and also as HW reset, connecting a device might continuously reset the DA14531 due to this external pull up.

When booting from 2-wire UART (Figure 44, Step4), the Tx is mapped to P0_0 which is also used as Reset pin. The device starting its boot sequence will detect UART on P0_0/P0_1. After the boot sequence has finished the P0_0 will automatically be restored to reset mode. If a connected external microcontroller or FTDI USB to UART bridge pulls this port high, it will trigger a continuous reset.

A valid solution would be to use a stronger R pull-down resistor connected to P0_0 overriding the effect of the receiver's pull up, as shown in Figure 46. The value of R depends on the pull up on the receiver's side. This solution is acceptable if there is no constant voltage from an external device on P0_0 to leak through the strong pull down.

In case that the application requires constant connection on the P0_0/P0_1 due to external interface the user must make sure that during booting process of DA14531, the external controller will not drive its RX pin to high state. If the external controller can handle continuous break conditions, due to low state because its RX line then the external pull down can be omitted.

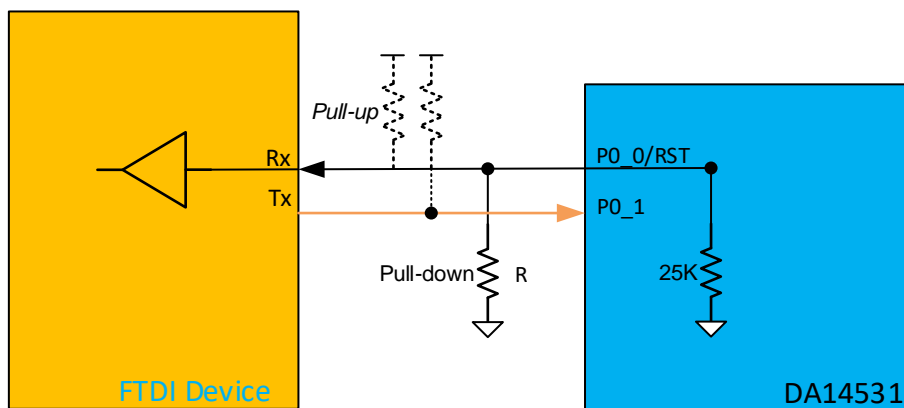


Figure 46: FTDI and DA14531 connection circuit for Reset

Using permanently P0_0 as TX means that reset function of P0_0 is disabled. DA14531 can be reset from external controller by either enable the reset again via a command or set a GPIO pin to act as a POR source. An alternative solution would be to burn a secondary booter in the OTP and boot from different pins and keep the P0_0 as a reset.

A.4.2 Example 2: RST/P0_0 signal shared with FLASH

Special considerations should be taken when RST/P0_0 is shared with a SPI Flash Memory. RST/P0_0 pin should not be driven while the device is booting from the SPI Flash. When the Flash is in use the reset functionality is not available. In order to access the flash and have the reset functionality of reset pin, the following sequence can be followed:

- Disable RST functionality on P0_0 by setting HWR_CTRL_REG[DISABLE_HWR] bit.
- Set P0_0 to SPI_MOSI
- Access Flash
- Enable HW reset

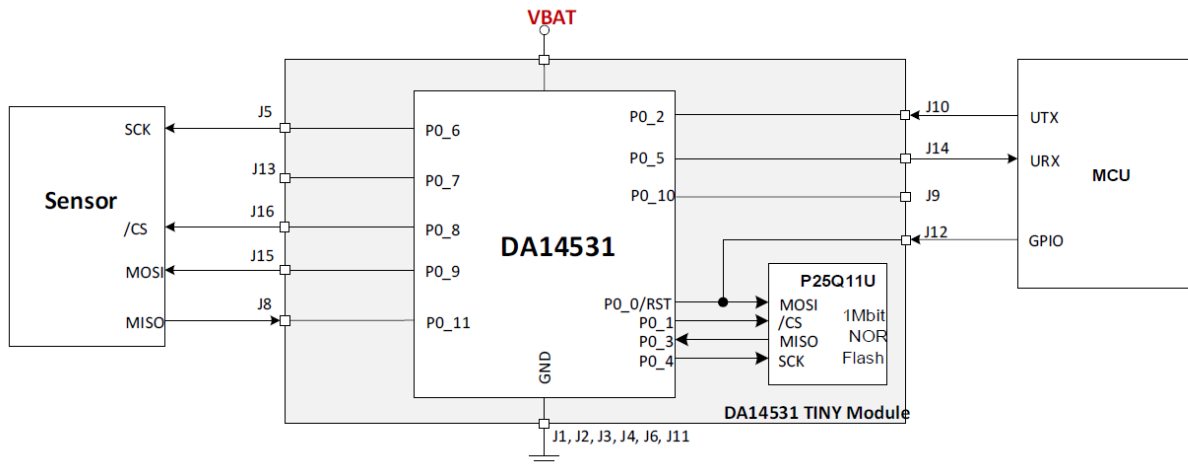


Figure 47: Example of Connecting a Sensor to the SPI BUS and an MCU to RST and UART of DA14531 SmartBond TINY™ Module [376-23-B]

Appendix B External filtering for Quadrature Decoder

DA14531 has an integrated Quadrature decoder that can automatically decode the signals for the X, Y, Z axes of a HID input device, reporting step count and direction. For more information about the decoder refer to DA14531 Datasheet [1].

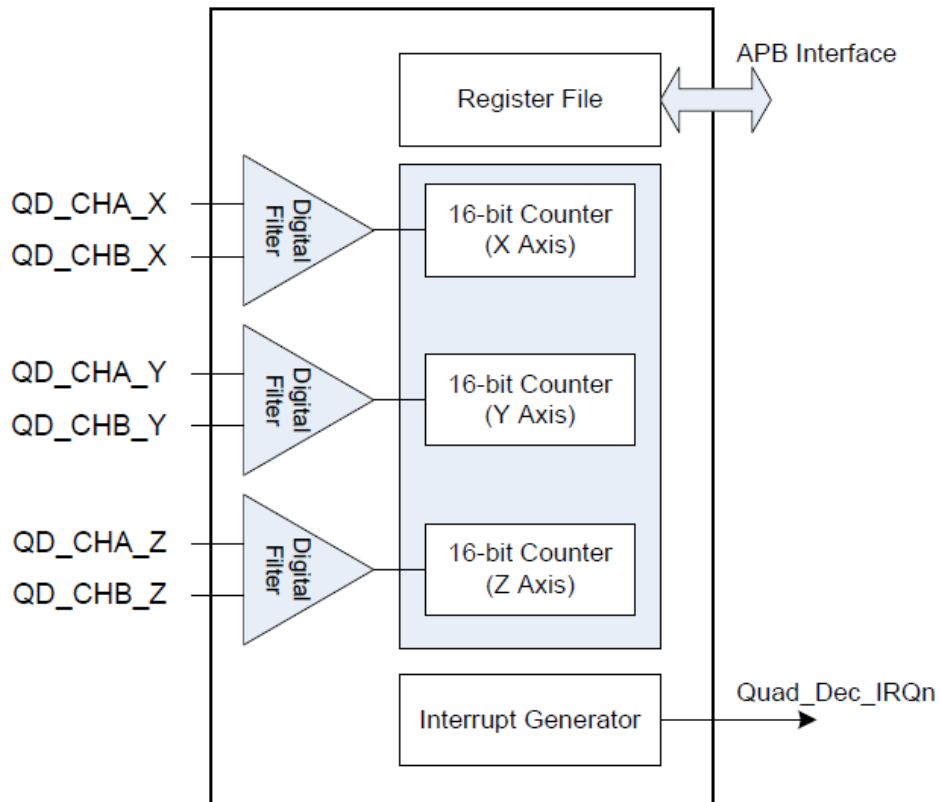


Figure 48: Quadrature decoder block diagram

The decoder is equipped with digital filtering which eliminates the spikes shorter than three clock periods. This means that for $sys_clk=16MHz$ and max time setting $QDEC_CLOCKDIV=0x3FF$, the decoder can handle bounces in the order of 200us. However, bouncing in encoders is relevant and depends on the mechanical characteristics. It can be in the order of some hundreds μsec up to few msec. These long bounces require external filtering. Usually relevant filtering information can be found in the encoder's manufacturer datasheet. It is suggested to follow manufacturer instructions or apply a generic RC filter like the one described in Figure 49.

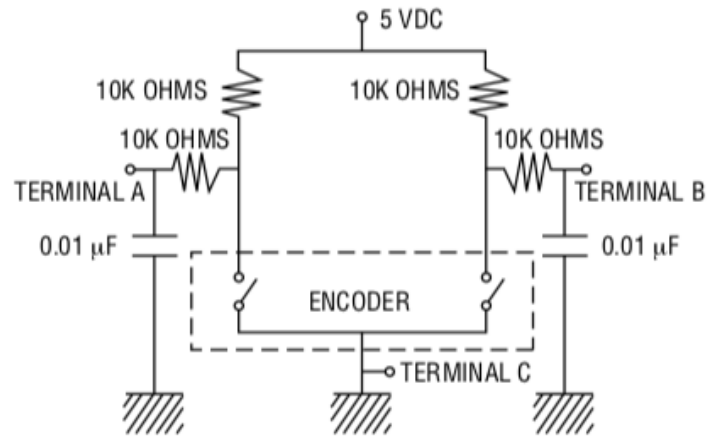


Figure 49: Suggested filter for mechanical incremental encoder

DA1453x Hardware Guidelines
Revision History

| Revision | Date | Description |
|----------|-------------|---|
| 1.8 | 01-Dec-2022 | Section 3.2.2.2 updated for Improved XTAL32M setting Added support for DA14531-01 deviceImproved XTAL32M setting |
| 1.7 | 20-Jan-2022 | Updated logo, disclaimer, copyright. |
| 1.6 | 17-Sep-2021 | Section 3.1 Included chip marking |
| 1.5 | 20-Jul-2021 | Section 3.2.1.2 updated information regarding powering external flash in boost mode Added Appendix A: Special considerations for Reset Added Appendix B: External filtering for Quadrature Decoder Editorial changes |
| 1.4 | 15-OCT-2020 | Low loss XTALs added. DA14530 note added. Editorial changes |
| 1.3 | 18-Mar-2020 | POR voltage levels changed |
| 1.2 | 31-Oct-2019 | Small updates, removed Draft status, and finalized. |
| 1.1 | 29-Oct-2019 | Editorial review. |
| 1.0 | 23-Oct-2019 | Initial version |

DA1453x Hardware Guidelines

Status Definitions

| Status | Definition |
|-------------------------|--|
| DRAFT | The content of this document is under review and subject to formal approval, which may result in modifications or additions. |
| APPROVED or unmarked | The content of this document has been approved for publication. |

RoHS Compliance

Dialog Semiconductor's suppliers certify that its products are in compliance with the requirements of Directive 2011/65/EU of the European Parliament on the restriction of the use of certain hazardous substances in electrical and electronic equipment. RoHS certificates from our suppliers are available on request.

RENESAS ELECTRONICS CORPORATION AND ITS SUBSIDIARIES ("RENESAS") PROVIDES TECHNICAL SPECIFICATIONS AND RELIABILITY DATA (INCLUDING DATASHEETS), DESIGN RESOURCES (INCLUDING REFERENCE DESIGNS), APPLICATION OR OTHER DESIGN ADVICE, WEB TOOLS, SAFETY INFORMATION, AND OTHER RESOURCES "AS IS" AND WITH ALL FAULTS, AND DISCLAIMS ALL WARRANTIES, EXPRESS OR IMPLIED, INCLUDING, WITHOUT LIMITATION, ANY IMPLIED WARRANTIES OF MERCHANTABILITY, FITNESS FOR A PARTICULAR PURPOSE, OR NON-INFRINGEMENT OF THIRD PARTY INTELLECTUAL PROPERTY RIGHTS.

These resources are intended for developers skilled in the art designing with Renesas products. You are solely responsible for (1) selecting the appropriate products for your application, (2) designing, validating, and testing your application, and (3) ensuring your application meets applicable standards, and any other safety, security, or other requirements. These resources are subject to change without notice. Renesas grants you permission to use these resources only for development of an application that uses Renesas products. Other reproduction or use of these resources is strictly prohibited. No license is granted to any other Renesas intellectual property or to any third party intellectual property. Renesas disclaims responsibility for, and you will fully indemnify Renesas and its representatives against, any claims, damages, costs, losses, or liabilities arising out of your use of these resources. Renesas' products are provided only subject to Renesas' Terms and Conditions of Sale or other applicable terms agreed to in writing. No use of any Renesas resources expands or otherwise alters any applicable warranties or warranty disclaimers for these products.

© 2022 Renesas Electronics Corporation. All rights reserved.

Corporate Headquarters

TOYOSU FORESIA, 3-2-24 Toyosu

Koto-ku, Tokyo 135-0061, Japan

www.renesas.com

Contact Information

For further information on a product, technology, the most up-to-date version of a document, or your nearest sales office, please visit:

<https://www.renesas.com/contact/>

Trademarks

Renesas and the Renesas logo are trademarks of Renesas Electronics Corporation. All trademarks and registered trademarks are the property of their respective owners.

(Rev.1.0 Mar 2020)

IMPORTANT NOTICE AND DISCLAIMER

RENESAS ELECTRONICS CORPORATION AND ITS SUBSIDIARIES (“RENESAS”) PROVIDES TECHNICAL SPECIFICATIONS AND RELIABILITY DATA (INCLUDING DATASHEETS), DESIGN RESOURCES (INCLUDING REFERENCE DESIGNS), APPLICATION OR OTHER DESIGN ADVICE, WEB TOOLS, SAFETY INFORMATION, AND OTHER RESOURCES “AS IS” AND WITH ALL FAULTS, AND DISCLAIMS ALL WARRANTIES, EXPRESS OR IMPLIED, INCLUDING, WITHOUT LIMITATION, ANY IMPLIED WARRANTIES OF MERCHANTABILITY, FITNESS FOR A PARTICULAR PURPOSE, OR NON-INFRINGEMENT OF THIRD-PARTY INTELLECTUAL PROPERTY RIGHTS.

These resources are intended for developers who are designing with Renesas products. You are solely responsible for (1) selecting the appropriate products for your application, (2) designing, validating, and testing your application, and (3) ensuring your application meets applicable standards, and any other safety, security, or other requirements. These resources are subject to change without notice. Renesas grants you permission to use these resources only to develop an application that uses Renesas products. Other reproduction or use of these resources is strictly prohibited. No license is granted to any other Renesas intellectual property or to any third-party intellectual property. Renesas disclaims responsibility for, and you will fully indemnify Renesas and its representatives against, any claims, damages, costs, losses, or liabilities arising from your use of these resources. Renesas' products are provided only subject to Renesas' Terms and Conditions of Sale or other applicable terms agreed to in writing. No use of any Renesas resources expands or otherwise alters any applicable warranties or warranty disclaimers for these products.

(Disclaimer Rev.1.01 Jan 2024)

Corporate Headquarters

TOYOSU FORESIA, 3-2-24 Toyosu,
Koto-ku, Tokyo 135-0061, Japan
www.renesas.com

Trademarks

Renesas and the Renesas logo are trademarks of Renesas Electronics Corporation. All trademarks and registered trademarks are the property of their respective owners.

Contact Information

For further information on a product, technology, the most up-to-date version of a document, or your nearest sales office, please visit www.renesas.com/contact-us/.