

[New release]

R20TS0572EJ0100

Rev.1.00

Jun. 01, 2020

Renesas Solution Starter Kit for RX23W

- Support for Bluetooth® 5.0 Low Energy and Evaluation of Bluetooth 5.0 Communication Performance -

Outline

We have released the Renesas Solution Starter Kit+ for RX23W that supports the RX23W group of the RX family.

1. Product Overview

Renesas Solution Starter Kit for RX23W is a starter kit intended for novice users of the RX23W group incorporating the Bluetooth® 5.0 Low Energy and security functions essential for the IoT devices, and abundant peripheral functions such as touch keys.

The kit includes the following hardware necessary for development.

- Hardware
 - CPU board with the RX23W group (code flash 512KB, pin count 85-pin) device mounted
 - Pmod™-compatible LCD board
 - E2 emulator Lite

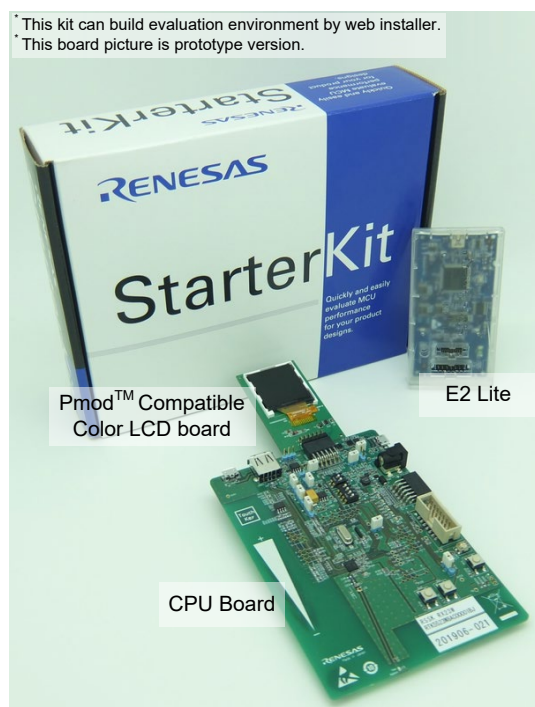


Figure1 Renesas Solution Starter Kit for RX23W

➤ Software

The Renesas Solution Starter Kit+ for RX23W installer, which includes software needed for evaluation, is available at the URL below. With the Renesas Solution Starter Kit+ for RX23W and these tools, developers can start evaluation immediately.

- Download URL for Renesas Solution Starter Kit+ for RX23W

<https://www.renesas.com/rsskrx23w#downloads>

Software included in the Renesas Solution Starter Kit+ for RX23W installer is as follows:

- e² studio integrated development environment
- Evaluation edition of C/C++ Compiler Package for RX Family
- Sample programs for Renesas Solution Starter Kit+ for RX23W

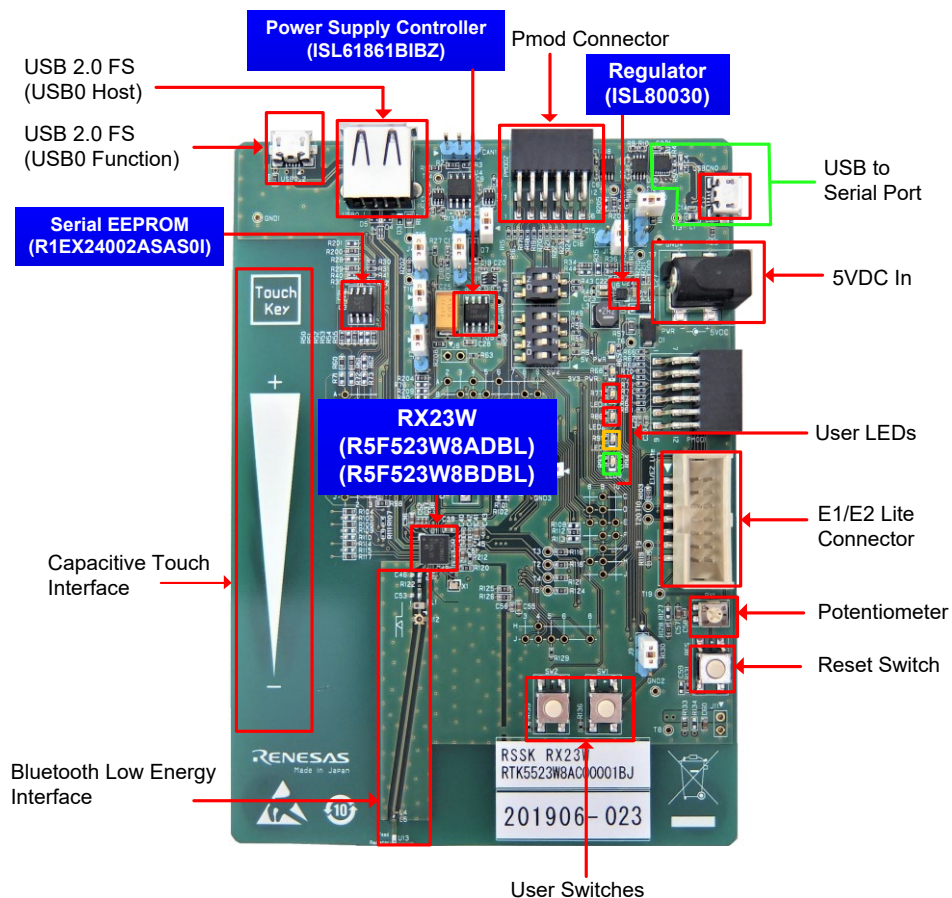
For details of Renesas Solution Starter Kit+ for RX23W, refer to the URL below.

- Renesas Solution Starter Kit for RX23W Product Page
<https://www.renesas.com/rsskrx23w>

2. Product Features

- Bluetooth® Low Energy that allows evaluation of Bluetooth 5 communication.
- A touch key (self-capacitance system) interface facilitates evaluation of touch.
- The product is equipped with one channel of USB that allows evaluation of hosts and functions.

The RX23W with Trusted Secure IP Lite*¹ mounted on the product allowing evaluation of security functions such as AES encryption and robust key management. *¹ : Trusted Secure IP Lite is a security function that protects the key for cipher-to-plain text conversion in addition to the encryption function that protects communication data.



* This board picture is prototype version.

Figure2 CPU Board (Component Side)

3. Operating Environment

- IBM PC/AT compatibles
- Windows® 10 (32-bit edition, 64-bit edition)
- Windows 8.1 (32-bit edition, 64-bit edition)
- Processor: 1GHz or more (hyper-threading and multi-core CPU are supported)
- Memory capacity: 2GB or greater is recommended. At least 1GB is required (Windows 10 and a 64-bit edition of Windows require at least 2GB).
- Hard disk capacity: At least 1 GB of free space
- Display: Resolution of at least 1024×768, with 65536 or more colors

4. Purchasing the Product

For product ordering, contact your local Renesas Electronics sales office or distributor with the following information.

For product pricing, make inquiries in the same manner.

Product Part Number (Orderable Part Number)	Trusted Secure IP Lite	Status
RTK5523W8AS00000BJ	No	Scheduled to start receiving orders in early June 2020
RTK5523W8BS00000BJ	Yes	Scheduled to start receiving orders in early June 2020

Revision History

Rev.	Date	Description	
		Page	Summary
1.00	Jun.01.20	-	First edition issued

Renesas Electronics has used reasonable care in preparing the information included in this document, but Renesas Electronics does not warrant that such information is error free. Renesas Electronics assumes no liability whatsoever for any damages incurred by you resulting from errors in or omissions from the information included herein.

The past news contents have been based on information at the time of publication. Now changed or invalid information may be included.

The URLs in the Tool News also may be subject to change or become invalid without prior notice.

Corporate Headquarters

TOYOSU FORESIA, 3-2-24 Toyosu,
Koto-ku, Tokyo 135-0061, Japan

www.renesas.com

Contact information

For further information on a product, technology, the most up-to-date version of a document, or your nearest sales office, please visit:

www.renesas.com/contact/

Trademarks

Renesas and the Renesas logo are trademarks of Renesas Electronics Corporation. All trademarks and registered trademarks are the property of their respective owners.