

# RENESAS TECHNICAL UPDATE

TOYOSU FORESIA, 3-2-24, Toyosu, Koto-ku, Tokyo 135-0061, Japan  
Renesas Electronics Corporation

Product Category	MPU/MCU		Document No.	TN-SY*-A014A/E	Rev.	1.00
Title	Revised information of S3A7 User's Manual from Rev.1.20		Information Category	Technical Notification		
Applicable Product	Renesas Synergy™ S3 Series S3A7	Lot No.	Reference Document	S3A7 User's Manual: Microcontrollers, Rev.1.20		
		All lots				

## 1. 24.4.7 When Selecting AGT0 Underflow as the Count Source

[Before]

### (1) Procedure for starting operation

1. Set AGT0 and AGT1.
2. Start the count operation of AGT0.
3. Start the count operation of AGT1.

### (2) Procedure for stopping operation

1. Stop the count operation of AGT1.
2. Stop the count operation of AGT0.

[After]

### (1) Procedure for starting operation

1. Set AGT0 and AGT1.
2. Start the count operation of AGT**1**.
3. Start the count operation of AGT**0**.

### (2) Procedure for stopping operation

1. Stop the count operation of AGT**0**.
2. Stop the count operation of AGT**1**.

**3. Stop the count source clock of AGT1. (Write "000b" in AGT1.AGTMR1.TCK[2:0] bits)**

## 2. 8.2.7 Voltage Monitor 1 Circuit Control Register 0 (LVD1CR0)

### 8.2.8 Voltage Monitor 2 Circuit Control Register 0 (LVD2CR0)

[Before]

	b7	b6	b5	b4	b3	b2	b1	b0
	RN	RI	-	-	-	CMPE	-	RIE

Value after reset    1    0    0    0    0    0    0    0

[After]

	b7	b6	b5	b4	b3	b2	b1	b0
	RN	RI	-	-	-	CMPE	-	RIE

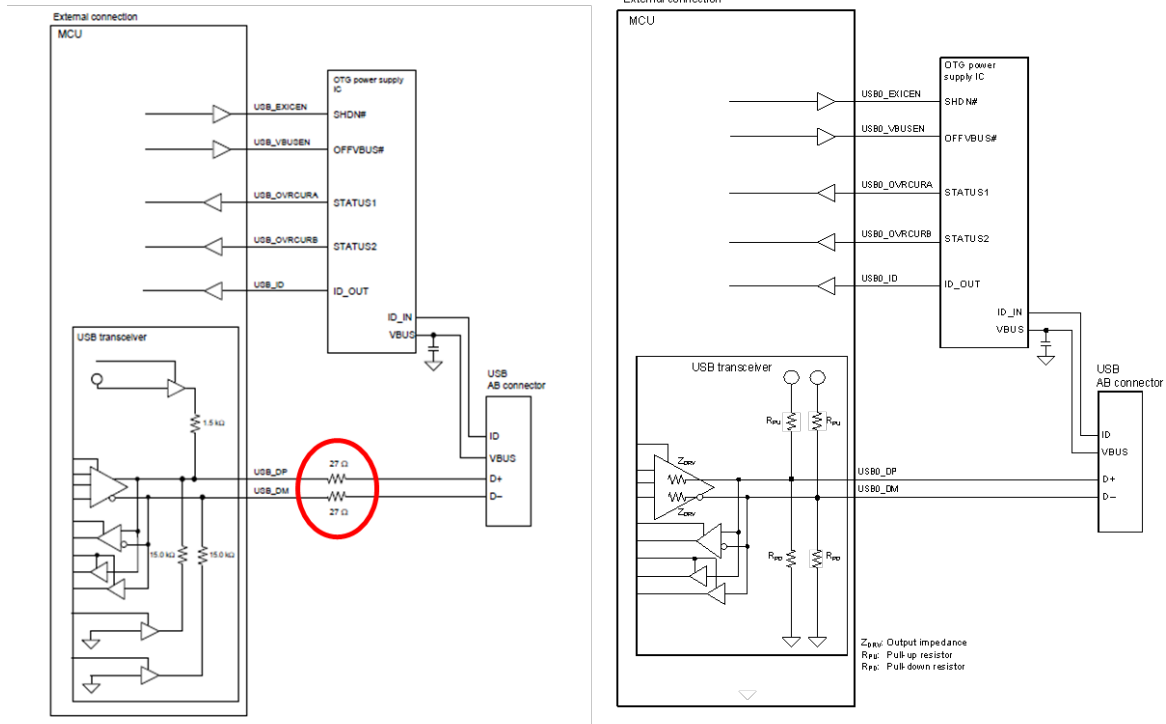
Value after reset    1    0    0    0    **X**    0    0    0

3. 28.3.1.5 Example of USB External Connection Circuits

3.1. Figure 28.5 Example OTG connection in self-powered state

[Before]

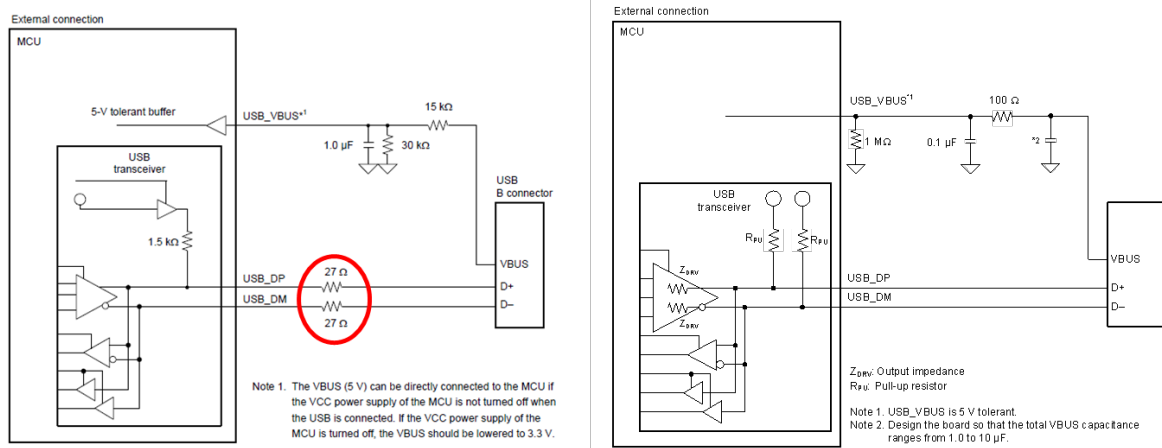
[After]



3.2. Figure 28.6 Example device connection in self-powered state

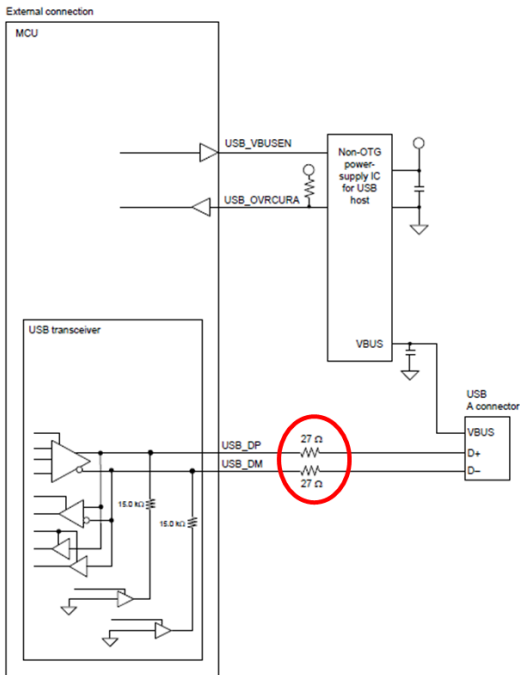
[Before]

[After]

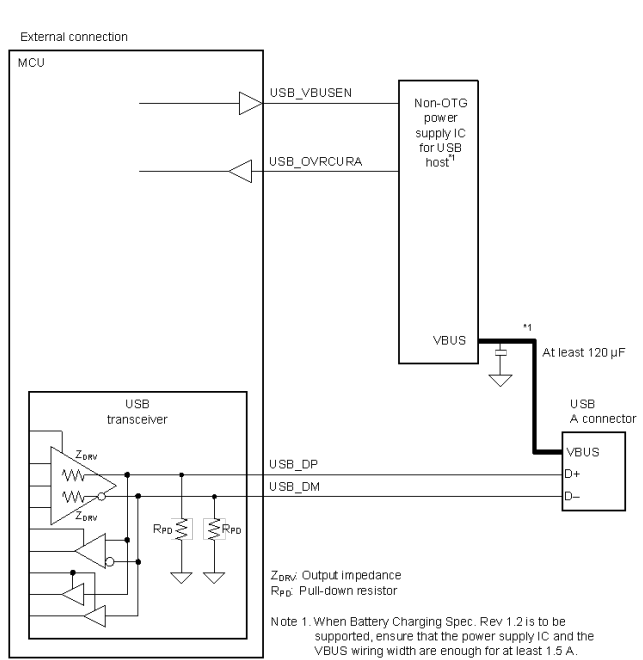


3.3. Figure 28.7 Example host connection

[Before]

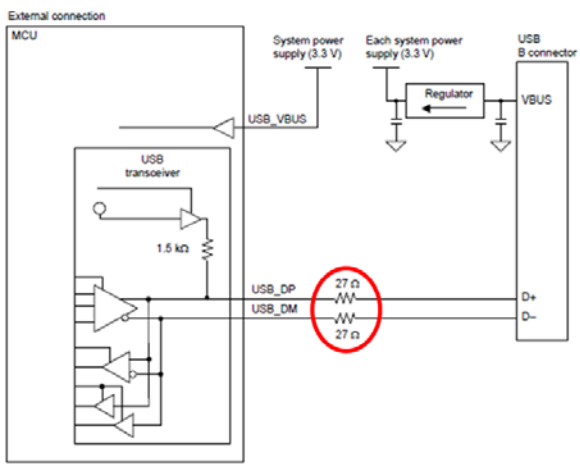


[After]

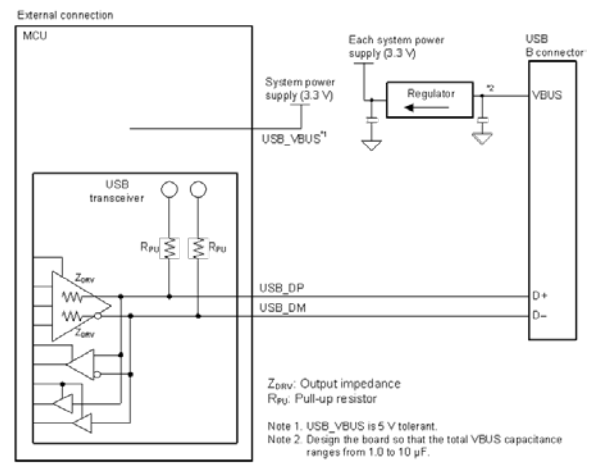


3.4. Figure 28.8 Example device connection in bus-powered state

[Before]



[After]



3.5. Example device connection in bus-powered state2

[Before]

Not described.

[After]

