

To our customers,

---

## Old Company Name in Catalogs and Other Documents

---

On April 1<sup>st</sup>, 2010, NEC Electronics Corporation merged with Renesas Technology Corporation, and Renesas Electronics Corporation took over all the business of both companies. Therefore, although the old company name remains in this document, it is a valid Renesas Electronics document. We appreciate your understanding.

Renesas Electronics website: <http://www.renesas.com>

April 1<sup>st</sup>, 2010  
Renesas Electronics Corporation

Issued by: Renesas Electronics Corporation (<http://www.renesas.com>)

Send any inquiries to <http://www.renesas.com/inquiry>.

# RENESAS TECHNICAL UPDATE

Nippon Bldg., 2-6-2, Ohte-machi, Chiyoda-ku, Tokyo 100-0004, Japan  
 Renesas Technology Corp.

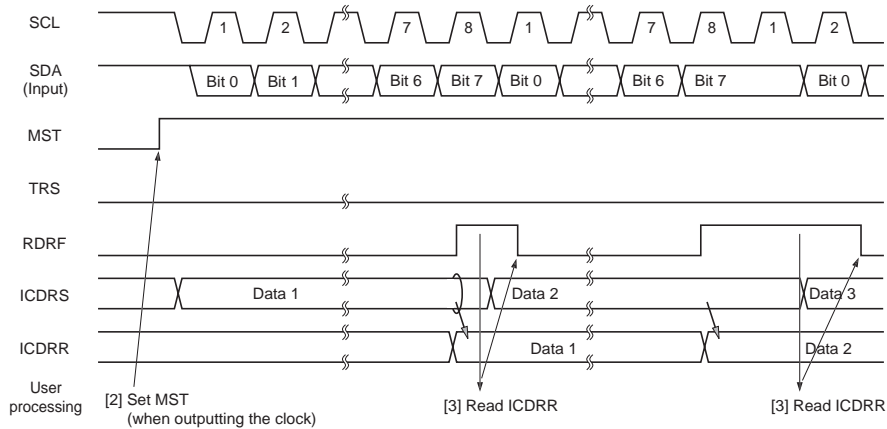
Product Category	MPU&MCU	Document No.	TN-H8*-A353A/E	Rev.	1.00
Title	Corrections of I2C Bus Interface 2 (IIC2)		Information Category	Technical Notification	
Applicable Product	See below	Lot No.	Reference Document	See below	
		All lots			

We would like to inform you of the corrections on the I2C bus interface 2 (IIC2), in the H8/300H Tiny Series of the Renesas 16-bit single-chip MCU/MPU.

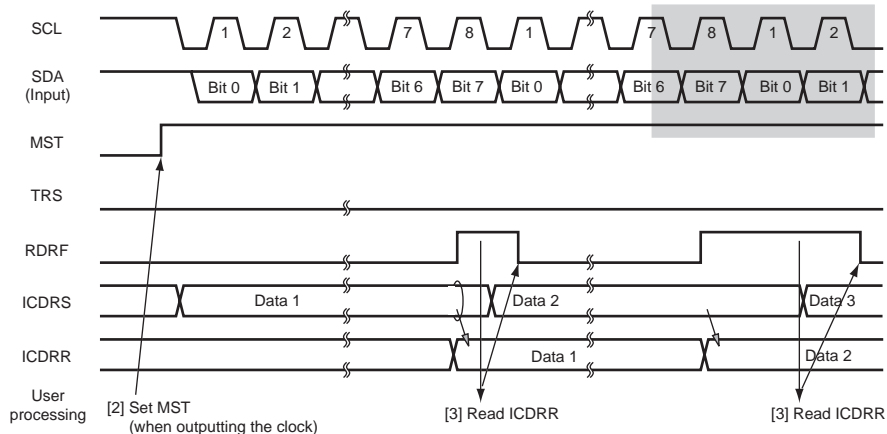
## 1. I<sup>2</sup>C Bus Interface 2 (IIC2)

### Figure 15, Receive Mode Operation Timing

[Before change]



[After change]



**2. Applicable Product and Reference Document**

Applicable Product Group	Reference Document Title	Rev. No.	Document No.
H8/3687	H8/3687 Group Hardware Manual	Rev.5.0	REJ09B0027-0500
H8/3694	H8/3694 Group Hardware Manual	Rev.5.0	REJ09B0028-0500
H8/36087	H8/36087 Group Hardware Manual	Rev.2.0	REJ09B0160-0200
H8/36049	H8/36049 Group Hardware Manual	Rev.3.0	REJ09B0060-0300
H8/36064	H8/36064 Group Hardware Manual	Rev.2.0	REJ09B0068-0200