
RS-232/RS-485 Transceivers

Designing a 3-Wire, Half-Duplex, Dual Protocol Interface Using the ISL3330 and ISL3331

TB513
Rev.1.01
Oct 25, 2019

Abstract

The [ISL3330](#) and [ISL3331](#) are dual protocol (RS-232/RS-485) transceivers that can be configured for a variety of operating modes. Many of these configurations require multiple bus and UART I/O lines that increase interface complexity.

This tech brief describes a special configuration of the dual mode transceivers, enabling them to support half-duplex transmission in RS-485 and RS-232 modes using the simplest interface design.

Contents

1. Operating Modes	2
2. Half-Duplex Configuration	3
3. Circuit Schematics	4
4. Revision History	5

List of Figures

Figure 1. Block Diagram	2
Figure 2. Half-Duplex Operation in RS-485 Mode	3
Figure 3. Half-Duplex Operation in RS-232 Mode	3
Figure 4. Half-Duplex Configuration for the ISL3330	4
Figure 5. Half-Duplex Configuration for the ISL3331	4

1. Operating Modes

The ISL3330 and ISL3331 consist of a single differential RS-485 transmitter and receiver pair and two single-ended RS-232 transmitter and receiver pairs (Figure 1). The function matrix in Table 1 shows that in standard mode, the 485/232 pin selects the desired protocol, the ON-pin enables the charge pump in RS-232 mode, and the RXEN and DEN pins turn the drivers on and off.

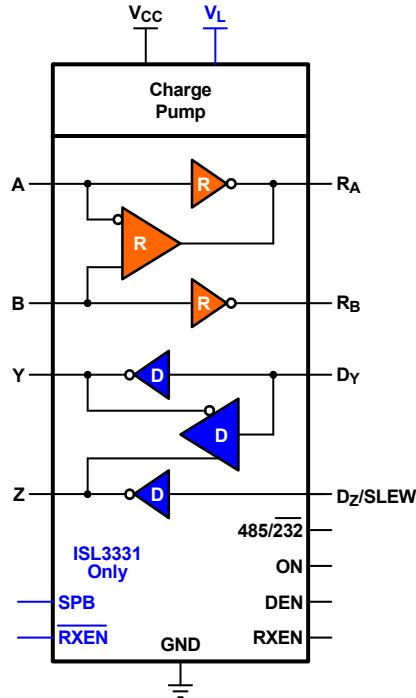


Figure 1. Block Diagram

Table 1. Function Table of the Dual Protocol Transceivers

Line #	Control Inputs					Receiver Outputs		Driver Outputs		Comments	Mode
	485/232	ON	RXEN	DEN	Slew	RA	RB	Y	Z		
1	0	1	0	0	N/A	High-Z	High-Z	High-Z	High-Z	Drivers and Receivers Off	RS-232
2	0	1	0	1	N/A	High-Z	High-Z	On	On	Drivers On, Receivers Off	RS-232
3	0	1	1	0	N/A	On	On	High-Z	High-Z	Receivers On, Drivers Off	RS-232
4	0	1	1	1	N/A	On	On	On	On	Drivers and Receivers On	RS-232
5	0	0	0	1	N/A	High-Z	High-Z	On	High-Z	Single Driver On	RS-232
6	0	0	1	0	N/A	High-Z	On	On	High-Z	Single Driver and Receiver On	RS-232
7	0	0	1	1	N/A	On	On	On	On	Loopback	RS-232
8	X	0	0	0	X	High-Z	High-Z	High-Z	High-Z	Driver and Receiver Off	Shutdown
9	1	1	0	0	X	High-Z	High-Z	High-Z	High-Z	Driver and Receiver Off	RS-485
10	1	X	0	1	1/0	High-Z	High-Z	On	On	Driver On, Receiver Off	RS-485
11	1	X	1	0	X	On	High-Z	High-Z	High-Z	Receiver On, Driver Off	RS-485
12	1	1	1	1	1/0	On	High-Z	On	On	Driver and Receiver On	RS-485
13	1	0	1	1	1/0	On	High-Z	On	On	Loopback	RS-485

2. Half-Duplex Configuration

For true half-duplex operation the combination of certain control inputs as shown in [Figure 3](#) and [Table 1](#), Line 6 is required to activate an RS-232 sub mode, known as Single Transceiver mode.

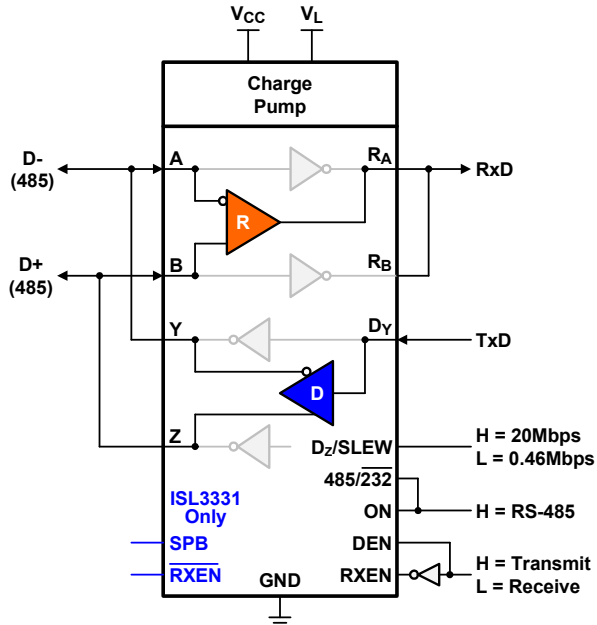


Figure 2. Half-Duplex Operation in RS-485 Mode

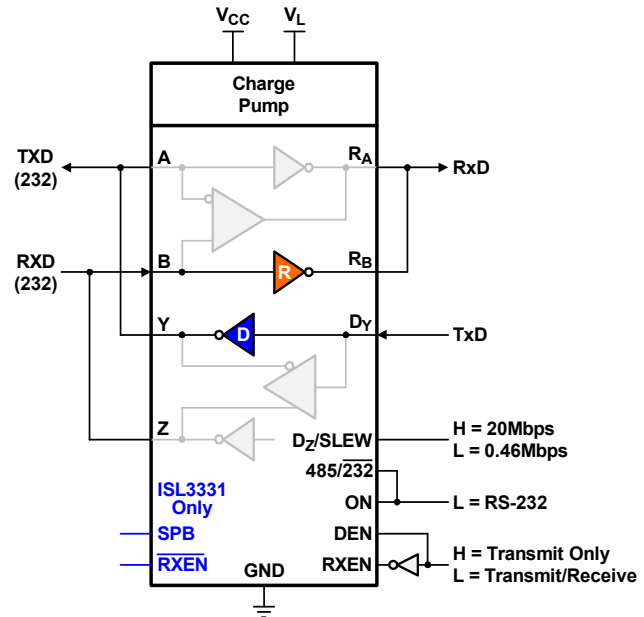


Figure 3. Half-Duplex Operation in RS-232 Mode

To establish a half-duplex bus, connect the inverting driver output (Y) with the inverting receiver input (A) and the non-inverting driver output (Z) with the noninverting receiver input (B). On the logic side, construct a single receive data output (RxD) by connecting R_A with R_B . This is necessary to support the single transceiver function in RS-232 mode. Finally, use the driver input (D_Y) as the single transmit data input for both protocols.

Applying logic high to the 485/ $\overline{232}$ pin puts the device in RS-485 mode, disabling all RS-232 related drivers and receivers ([Figure 2](#)). To distinguish between transmit and receive operation, DEN is connected to RXEN through an inverter gate. This ensures that a high at DEN disables the 485 receiver and activates the driver to transmit data. Data entered at TxD leaves the device on the differential bus lines D+ and D-.

Asserting DEN low disables the driver and activates the receiver. Thus, differential data signals on the D+ and D- bus line enter the receiver at the A and B inputs and exit the device through the receiver output R_A onto the UART's receive data line, RxD. Both modes correspond to the RS-485 modes listed in the highlighted lines 10 and 11 of [Table 1 on page 2](#).

Simply switching to RS-232 mode by turning 485/ $\overline{232}$ low would activate both RS-232 driver and receiver pairs, and therefore connect each bus line with an active driver. In this case, the bus line connecting to an RS-232 driver at the other cable end would suffer bus contention. To prevent such a dilemma, the previously mentioned Single Transceiver mode is implemented. This mode is initiated by combining the ON pin with the 485/232 pin. When switching to RS-232 mode, both pins are low, which disables not only the RS-485 driver and receiver, but also the RS-232 driver of one pair and an RS-232 receiver of the other pair ([Figure 3](#)).

In this mode, the logic levels at RXEN and DEN determine whether the device is in Single Transmitter or Single Transceiver mode (meaning the driver is always enabled). Rather than toggling DEN between logic states (half-duplex operation), the user can choose to maintain DEN logic high to enable full-duplex transmission. Both modes correspond to the RS-232 modes listed in the highlighted lines 5 and 6 of [Table 1](#).

3. Circuit Schematics

To ease the design of half-duplex dual protocol interfaces using the ISL3330 and ISL3331, [Figures 4](#) and [5](#) show the circuit schematics for both transceivers. The ISL3330 comes in a 20 Ld TSSOP package and requires an external inverter gate for half-duplex operation.

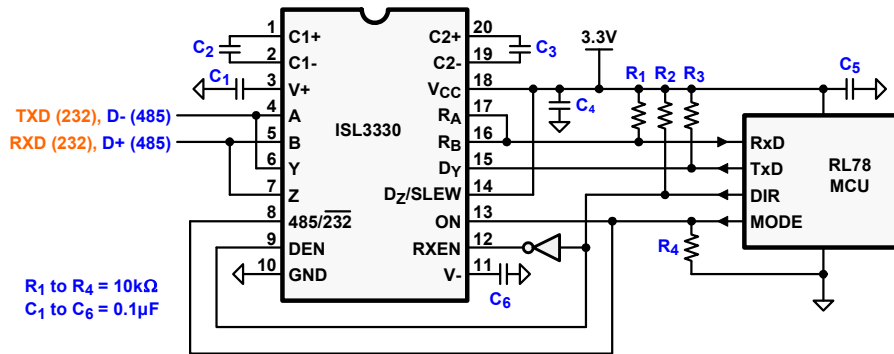


Figure 4. Half-Duplex Configuration for the ISL3330

The ISL3331 is available in a 40 Ld QFN package and includes two additional control pins, \overline{RXEN} and SPB, as well as an internal level shifter for a reduced logic supply, V_L .

- \overline{RXEN} can be directly connected to DEN, which eliminates the need for an external inverter. In this case however, RXEN must be connected to ground.
- In RS-485 mode, SPB allows the user to choose between the two slew-rate limited data rates of 115kbps and 460kbps, if $D_Z/SLEW$ is low. The 115kbps rate uses even slower edge rates than the 460kbps version for EMI sensitive designs, to allow longer bus lengths, or to minimize the risk of termination issues on slower data rate networks. Asserting $D_Z/SLEW$ high selects the high-speed mode of 20Mbps, and SPB has no impact.
- V_L is used to interface the ISL3331 to UARTs or microcontrollers that are powered by a supply voltage lower than 3.3V. Tying V_L to the lower supply voltage shifts the input thresholds and output voltages of the logic pins to values compatible with the lower supply ([Figure 5](#)).

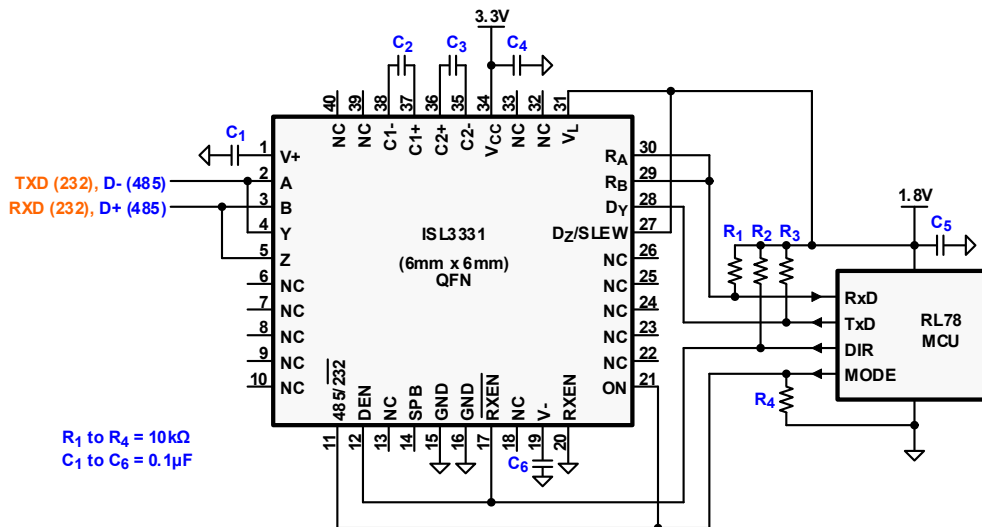


Figure 5. Half-Duplex Configuration for the ISL3331

4. Revision History

Rev.	Date	Description
1.01	Oct 25, 2019	Updated Figure 3. Updated Disclaimer.
1.00	May 16, 2018	Corrected typo for inputs A and B on Figure 3. Corrected typo "486/232" to "485/232" on page 3.
0.00	Mar 29, 2018	Initial release

Notice

1. Descriptions of circuits, software and other related information in this document are provided only to illustrate the operation of semiconductor products and application examples. You are fully responsible for the incorporation or any other use of the circuits, software, and information in the design of your product or system. Renesas Electronics disclaims any and all liability for any losses and damages incurred by you or third parties arising from the use of these circuits, software, or information.
 2. Renesas Electronics hereby expressly disclaims any warranties against and liability for infringement or any other claims involving patents, copyrights, or other intellectual property rights of third parties, by or arising from the use of Renesas Electronics products or technical information described in this document, including but not limited to, the product data, drawings, charts, programs, algorithms, and application examples.
 3. No license, express, implied or otherwise, is granted hereby under any patents, copyrights or other intellectual property rights of Renesas Electronics or others.
 4. You shall not alter, modify, copy, or reverse engineer any Renesas Electronics product, whether in whole or in part. Renesas Electronics disclaims any and all liability for any losses or damages incurred by you or third parties arising from such alteration, modification, copying or reverse engineering.
 5. Renesas Electronics products are classified according to the following two quality grades: "Standard" and "High Quality". The intended applications for each Renesas Electronics product depends on the product's quality grade, as indicated below.
 - "Standard": Computers; office equipment; communications equipment; test and measurement equipment; audio and visual equipment; home electronic appliances; machine tools; personal electronic equipment; industrial robots; etc.
 - "High Quality": Transportation equipment (automobiles, trains, ships, etc.); traffic control (traffic lights); large-scale communication equipment; key financial terminal systems; safety control equipment; etc.Unless expressly designated as a high reliability product or a product for harsh environments in a Renesas Electronics data sheet or other Renesas Electronics document, Renesas Electronics products are not intended or authorized for use in products or systems that may pose a direct threat to human life or bodily injury (artificial life support devices or systems; surgical implantations; etc.), or may cause serious property damage (space system; undersea repeaters; nuclear power control systems; aircraft control systems; key plant systems; military equipment; etc.). Renesas Electronics disclaims any and all liability for any damages or losses incurred by you or any third parties arising from the use of any Renesas Electronics product that is inconsistent with any Renesas Electronics data sheet, user's manual or other Renesas Electronics document.
 6. When using Renesas Electronics products, refer to the latest product information (data sheets, user's manuals, application notes, "General Notes for Handling and Using Semiconductor Devices" in the reliability handbook, etc.), and ensure that usage conditions are within the ranges specified by Renesas Electronics with respect to maximum ratings, operating power supply voltage range, heat dissipation characteristics, installation, etc. Renesas Electronics disclaims any and all liability for any malfunctions, failure or accident arising out of the use of Renesas Electronics products outside of such specified ranges.
 7. Although Renesas Electronics endeavors to improve the quality and reliability of Renesas Electronics products, semiconductor products have specific characteristics, such as the occurrence of failure at a certain rate and malfunctions under certain use conditions. Unless designated as a high reliability product or a product for harsh environments in a Renesas Electronics data sheet or other Renesas Electronics document, Renesas Electronics products are not subject to radiation resistance design. You are responsible for implementing safety measures to guard against the possibility of bodily injury, injury or damage caused by fire, and/or danger to the public in the event of a failure or malfunction of Renesas Electronics products, such as safety design for hardware and software, including but not limited to redundancy, fire control and malfunction prevention, appropriate treatment for aging degradation or any other appropriate measures. Because the evaluation of microcomputer software alone is very difficult and impractical, you are responsible for evaluating the safety of the final products or systems manufactured by you.
 8. Please contact a Renesas Electronics sales office for details as to environmental matters such as the environmental compatibility of each Renesas Electronics product. You are responsible for carefully and sufficiently investigating applicable laws and regulations that regulate the inclusion or use of controlled substances, including without limitation, the EU RoHS Directive, and using Renesas Electronics products in compliance with all these applicable laws and regulations. Renesas Electronics disclaims any and all liability for damages or losses occurring as a result of your noncompliance with applicable laws and regulations.
 9. Renesas Electronics products and technologies shall not be used for or incorporated into any products or systems whose manufacture, use, or sale is prohibited under any applicable domestic or foreign laws or regulations. You shall comply with any applicable export control laws and regulations promulgated and administered by the governments of any countries asserting jurisdiction over the parties or transactions.
 10. It is the responsibility of the buyer or distributor of Renesas Electronics products, or any other party who distributes, disposes of, or otherwise sells or transfers the product to a third party, to notify such third party in advance of the contents and conditions set forth in this document.
 11. This document shall not be reprinted, reproduced or duplicated in any form, in whole or in part, without prior written consent of Renesas Electronics.
 12. Please contact a Renesas Electronics sales office if you have any questions regarding the information contained in this document or Renesas Electronics products.
- (Note1) "Renesas Electronics" as used in this document means Renesas Electronics Corporation and also includes its directly or indirectly controlled subsidiaries.
- (Note2) "Renesas Electronics product(s)" means any product developed or manufactured by or for Renesas Electronics.

(Rev.4.0-1 November 2017)

Corporate Headquarters

TOYOSU FORESIA, 3-2-24 Toyosu,
Koto-ku, Tokyo 135-0061, Japan
www.renesas.com

Contact Information

For further information on a product, technology, the most up-to-date version of a document, or your nearest sales office, please visit:
www.renesas.com/contact/

Trademarks

Renesas and the Renesas logo are trademarks of Renesas Electronics Corporation. All trademarks and registered trademarks are the property of their respective owners.